

SP740P

**SMARTMOUNT.**

# Pivot Wall Mount

For 22"-40" Displays

Matching elements of easy installation and user-friendliness are found in this pivot mount. It boasts a low-profile wall plate design that easily attaches to the wall with only two screws. This pivot arm extends away from the wall with ease and closes back up to save space. The arm's multiple pivot points allow the display to pivot, tilt and roll for the perfect viewing angle adjustment and display leveling. Its fully integrated cable management system eliminates unsightly cable clutter and provides a safeguard. Designed and built in the USA, this mount maintains the same brilliant look as the entire SmartMount® 700 Series line of Articulating and Pivot Wall Arm Mounts.



Display size: 22"-40"



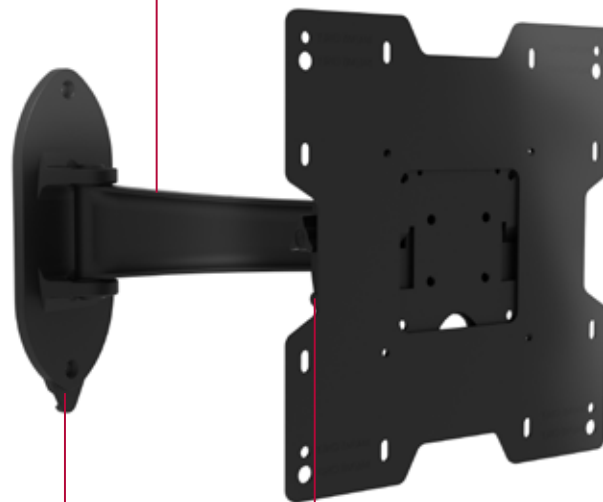
Max load: 55lb (25kg)

## FEATURES

- Compatible with 22" to 40" displays with mounting hole patterns of 75,100, 200 x 100, and 200 x 200mm
- Display can be held as close to the wall as 2.99" (76mm) or be extended as far as 11.80" (299mm)
- One-Touch™ tilt mechanism allows adjustment of +15°/-5° without the use of tools
- ±5° of roll allow for post-installation display leveling
- Display can be pivoted a full ±90° for obtaining ideal viewing direction
- Integrated cable management system makes running cables simple while keeping the cables protected
- UL Listed

### VIEWING FLEXIBILITY

Arm extends up to 11.80" (299mm) from wall



### IDEAL TILT WITH JUST A TOUCH

One-Touch™ tilt allows adjustment of +15° /-5° without the use of tools

### REMARKABLE FORM

Single stud mounting for a low-profile and fast installation



Post-installation leveling



Cable management from the display to the wall plate for an organized, clean look

\* OSHPD Approval Pending



Patented. Design Patent No. D666,180; D631,038; D640,673; D633,484; D634,739; D643,835. Utility Patent No. 8,028,964.

CLICK: [peerless-av.com](http://peerless-av.com)

CALL: 800.865.2112

FAX: 800.359.6500



<b>SP740P</b>	SmartMount® Pivot Wall Mount for 22"-40" Displays
---------------	---

Product Specifications

	DIMENSIONS (W x H x D)	PRODUCT WEIGHT	LOAD CAPACITY	FINISH	AVAILABLE COLORS
<b>SP740P</b>	14.31" x 9.35" x 2.99"-11.80" (364 x 237 x 76-299mm)	5.5lb(2.5kg)	55lb (25kg)	Scratch resistant fused epoxy	Gloss Black

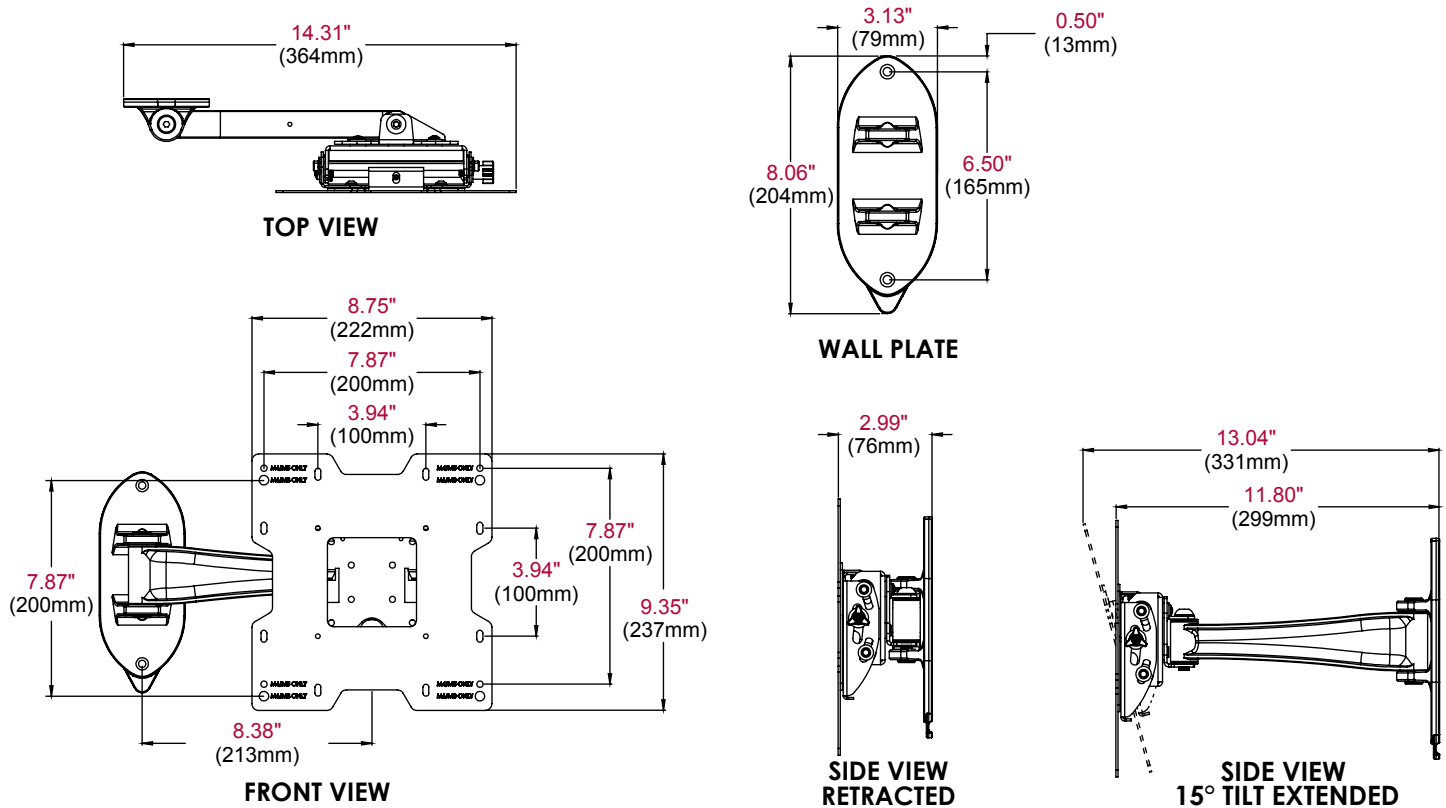
Package Specifications

	PACKAGE SIZE (W x H x D)	PACKAGE SHIP WEIGHT	PACKAGE UPC CODE	PACKAGE CONTENTS	UNITS IN PACKAGE
<b>SP740P</b>	13" x 10" x 4" (330 x 250 x 101mm)	6.7lb (3kg)	735029237341	Mount, wall and display attachment hardware, installation instructions	1

Accessories

- ACC919:** Security Fasteners
- WSP700:** Metal Stud Wall Plate for 16" Center Metal Studs
- WSP701:** Metal Stud Wall Plate for 20" and 24" Center Metal Studs

All dimensions = inch (mm)



ARCHITECTS SPECIFICATIONS

The SmartMount® Pivot Wall Mount shall be a Peerless-AV model SP740P and shall be located where indicated on the plans. Assembly and installation shall be done according to instructions provided by the manufacturer. Mount is made of clear anodized aluminum and adapter bracket is made of steel with a scratch resistant epoxy finish.