

SF630 / SF630-S
SF630P / SF630P-S

SmartMount® Universal Flat Wall Mount for 10" to 24" Flat Panel Screens

It couldn't be simpler to get small screens installed and looking great. Just hook the adapter plate to the wall plate and you get a sleek installation with an incredible low-profile of only one inch. Explore the possibilities this mount gives you for screen placement thanks to its compact design.



Screen size: 10"-24"



Max load: 80lb (36kg)

FEATURES

- VESA® 75 and 100mm compatible
- Additional screen adapter plates also available
- Low-profile design holds screen .96" (24mm) away from the wall
- Screen adapter plate simply hooks onto the wall plate for quick and easy installation
- Mounts to a wood stud, concrete, cinder block or metal stud (metal stud accessory required)
- UL listed
- Available in black or silver

EASY INSTALLATION

Simple hook-on design for easy installation

LOW-PROFILE DESIGN

Holds screen .96" (24mm) from the wall

STANDARDIZED COMPATIBILITY

VESA® 75 and 100mm compliant for reliable screen compatibility



Low-profile design holds screen only .96" (24mm) from the wall



Model Numbers

WARRANTY: Limited 5-year

SF630(-S)
SF630P(-S)

Universal Flat Wall Mount for 10" to 24" Flat Panel Screens - security models
Universal Flat Wall Mount for 10" to 24" Flat Panel Screens - standard models

Product Specifications

	DIMENSIONS (W x H x D)	PRODUCT WEIGHT	LOAD CAPACITY	FINISH	AVAILABLE COLORS
SF630(P)(-S)	6.02" x 5.75" x .96" (153 x 146 x 24mm)	1.7lb (.8kg)	80lb (36kg)	Scratch resistant fused epoxy	SF630(P): Black SF630(P)-S: Silver

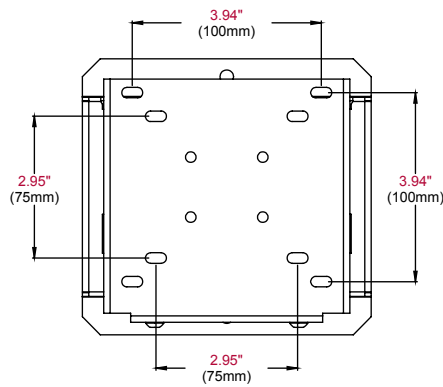
Package Specifications

	PACKAGE SIZE (W x H x D)	PACKAGE SHIP WEIGHT	PACKAGE UPC CODE	PACKAGE CONTENTS	UNITS IN PACKAGE
SF630(P)(-S)	SF630(-S): 12.75" x 9.5" x 2.5" (329 x 241 x 64mm) SF630P(-S): 6.75" x 9.6" x 2.75" (171 x 243 x 69mm)	2.5lb (1.13kg)	SF630: 735029236191 SF630-S: 735029236207 SF630P: 735029236214 SF630P-S: 735029236221	Wall plate, VESA® 75/100mm screen adapter plate, mounting and screen attachment hardware	1

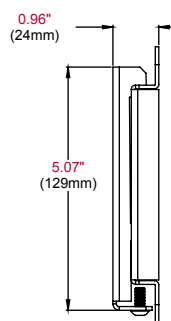
Accessories

ACC215: 2-pack Metal Stud Fastener Kit

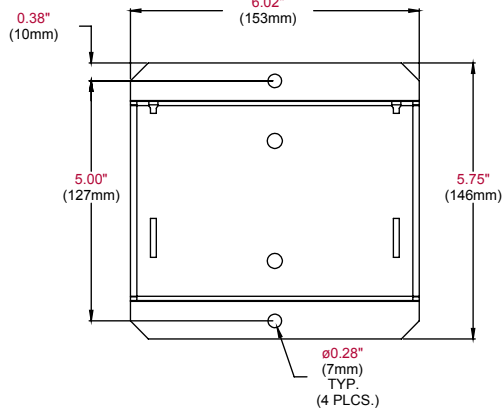
All dimensions = inch (mm)



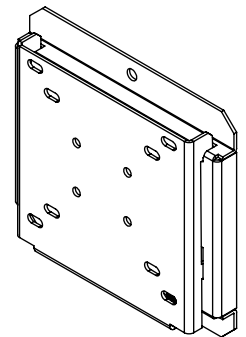
FRONT VIEW



SIDE VIEW



WALL PLATE



ISOMETRIC VIEW

ARCHITECTS SPECIFICATIONS

The Smartmount® Universal Flat Wall Mount shall be a Peerless model SF630 and shall be located where indicated on the plans. It shall be constructed of heavy gauge cold rolled steel and finished with scratch resistant Black or Silver Fused Epoxy. Assembly and installation shall be done according to instructions provided by the manufacturer.

Peerless Industries, Inc. ■ 2300 White Oak Circle ■ Aurora, IL 60502 ■ (800) 865-2112 ■ (708) 865-8870 ■ Fax: (708) 865-2941 ■ www.peerlessmounts.com

Visit peerlessmounts.com to see the full line of Peerless LCD/plasma, projector and TV/monitor mounts. © 2010 Peerless Industries, Inc. All rights reserved. LIT-0598

peerless®