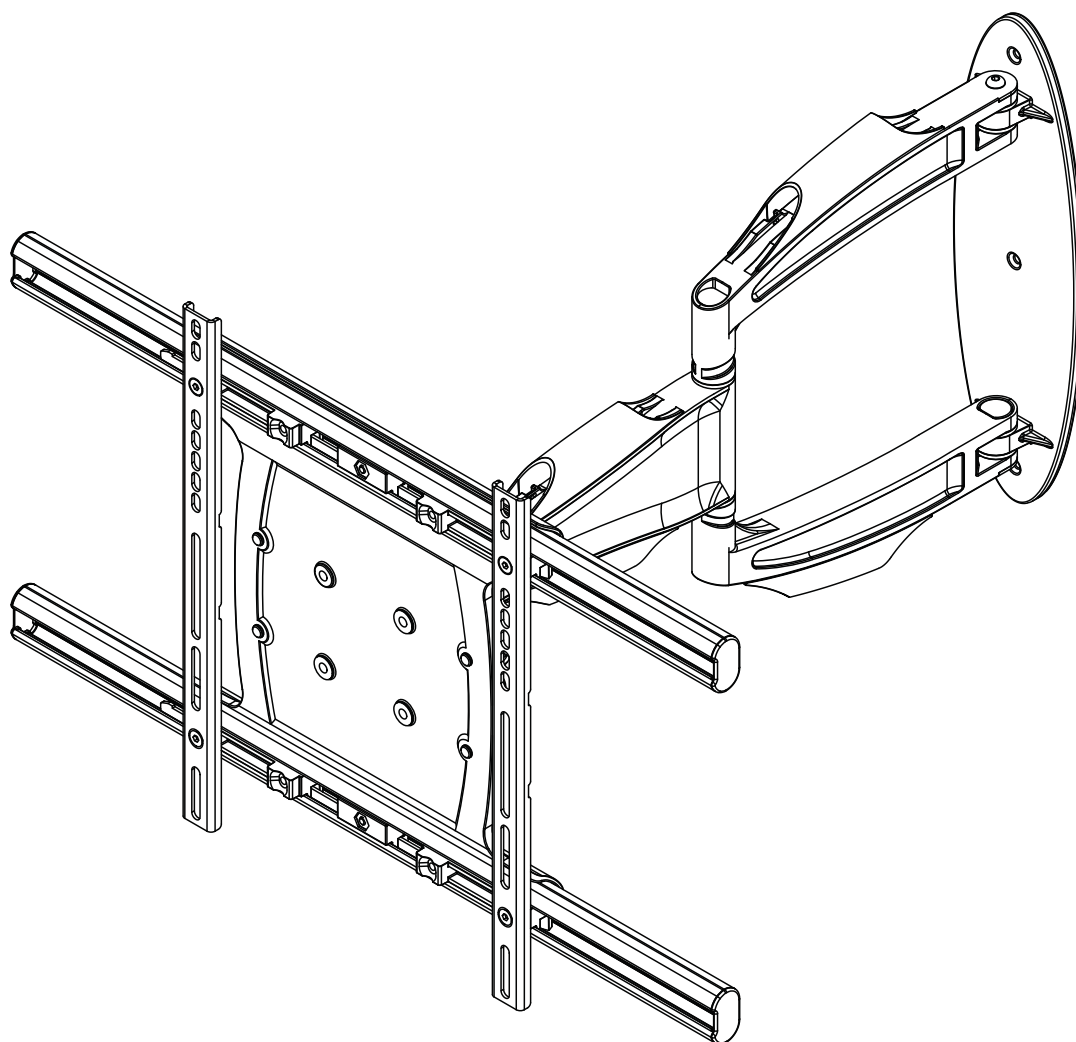




## Installation and Assembly: Universal Articulating Arm Wall Mount for 32" to 52" Flat Panel Screens

---

Models: SA752PU



**Maximum UL Load Capacity: 90 lb (41 kg)**

**Note:** Read entire instruction sheet before you start installation and assembly.

## **⚠ WARNING**

- Do not begin to install your Peerless product until you have read and understood the instructions and warnings contained in this Installation Sheet. If you have any questions regarding any of the instructions or warnings, for US customers please call Peerless customer care at 1-800-865-2112, for all international customers, please contact your local distributor.
- This product should only be installed by someone of good mechanical aptitude, has experience with basic building construction, and fully understands these instructions.
- Make sure that the supporting surface will safely support the combined load of the equipment and all attached hardware and components.
- Never exceed the Maximum Load Capacity. See page one.
- If mounting to wood wall studs, make sure that mounting screws are anchored into the center of the studs. Use of an "edge to edge" stud finder is highly recommended.
- Always use an assistant or mechanical lifting equipment to safely lift and position equipment.
- Tighten screws firmly, but do not overtighten. Overtightening can damage the items, greatly reducing their holding power.
- This product is intended for indoor use only. Use of this product outdoors could lead to product failure and personal injury.
- This product was designed to be installed on the following wall construction only;

### **WALL CONSTRUCTION**

### **HARDWARE REQUIRED**

- |                    |  |
|--------------------|--|
| • Wood Stud        | Included   |
| • Wood Beam        | Included   |
| • Solid Concrete   | Included   |
| • Cinder Block     | Included   |
| • Metal Stud       | Contact Qualified Professional (not evaluated by UL) |
| • Brick            | Contact Qualified Professional (not evaluated by UL) |
| • Other or unsure? | Contact Qualified Professional                       |

## **Tools Needed for Assembly**

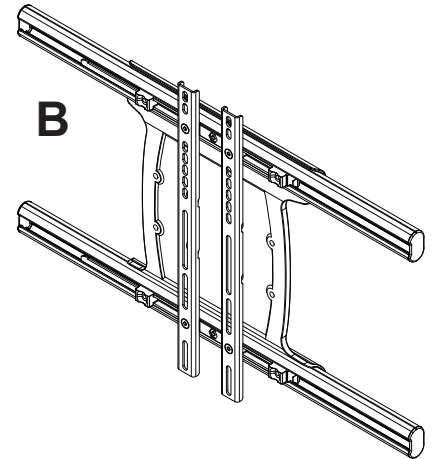
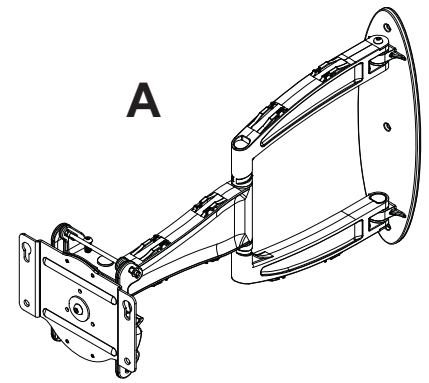
- stud finder ("edge to edge" stud finder is recommended)
- phillips screwdriver
- 5/32" (4 mm) drill bit for wood studs
- 5/16" (8 mm) drill bit for concrete and cinder block
- level

## **Table of Contents**

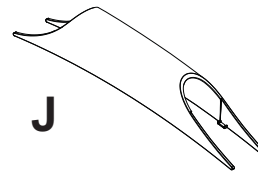
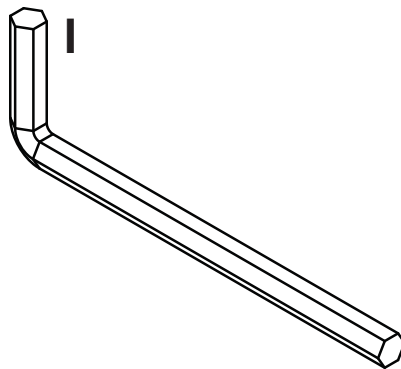
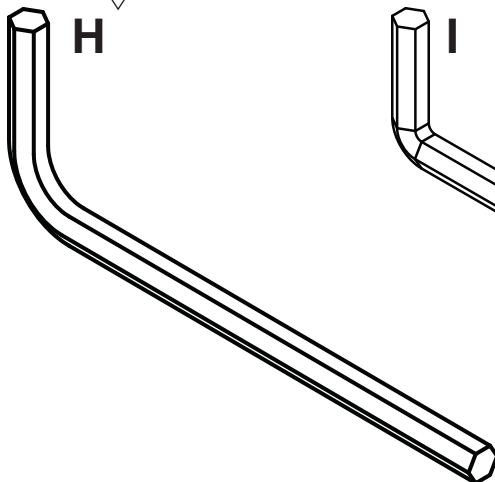
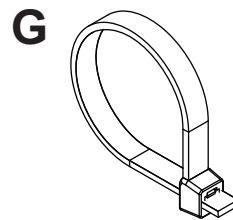
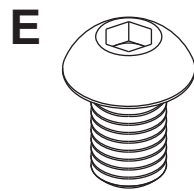
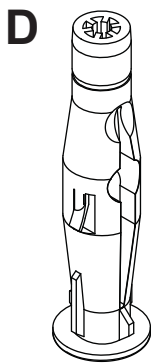
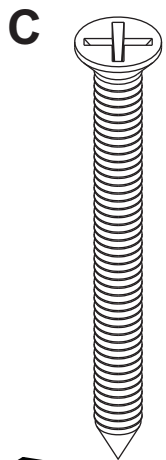
Parts List.....	3, 4
Wall installation.....	5, 6
Installing Adapter Brackets to Screen.....	7-11
Mounting Flat Panel Screen .....	12
Cable Management .....	14

Before you begin, make sure all parts shown are included with your product.

Parts List		SA752PU	
Description	Qty.	Part #	
A wall arm assembly	1	095-P1642	
B universal adapter bracket	1	095-P1635-2	
C wood screws	3	520-1202	
D concrete anchors	3	590-0320	
E M10 x 15 mm socket head screw	2	520-9262	
F fastener caps	3	590-1324	
G cable ties	8	590-1168	
H 6 mm allen wrench	1	560-9716	
I 5 mm allen wrench	1	560-9640	
J rear cable cover	2	590-P1326	
K front cable cover	2	590-P1327	
L #3 screwdriver bit (not shown)	1	560-0209	



Parts may appear slightly different than illustrated.



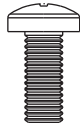
# Adapter Bracket Fasteners



M4 x 12 mm (6)  
(504-9013)



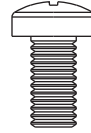
M4 x 25 mm (4)  
(504-1015)



M5 x 12 mm (4)  
(520-1027)



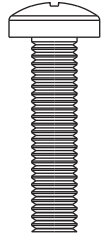
M5 x 25 mm (4)  
(520-9543)



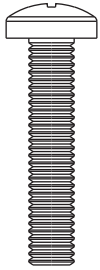
M6 x 12 mm (4)  
(520-1128)



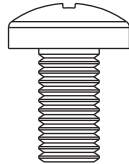
M6 x 20 mm (4)  
(520-9402)



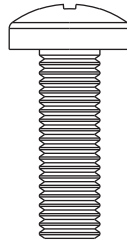
M6 x 25 mm (4)  
(520-1208)



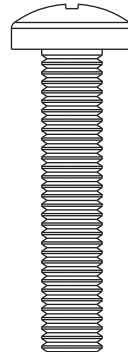
M6 x 30 mm (4)  
(510-9109)



M8 x 16 mm (6)  
(520-9257)



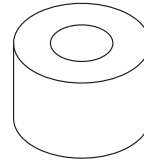
M8 x 25 mm (4)  
(520-1031)



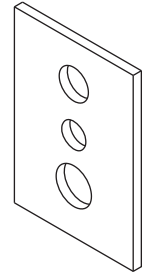
M8 x 40 mm (4)  
(520-1136)



I.D. .22" (4)  
(540-1057)



I.D. .34" (4)  
(540-1059)



multi-washer (6)  
(580-1036)

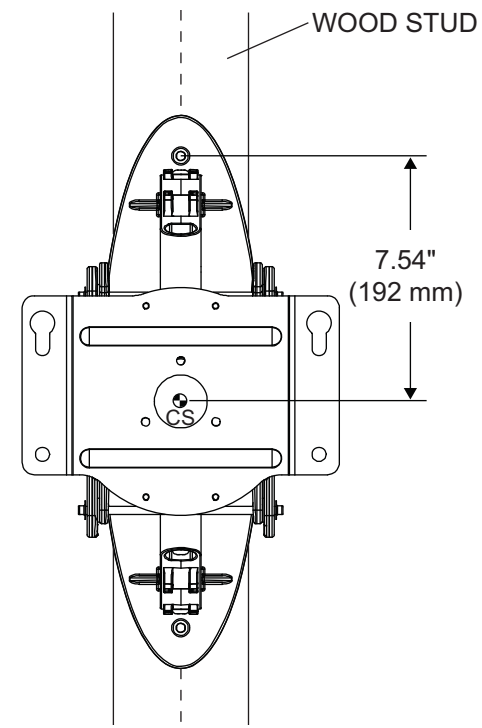
## Installation to Single Wood Stud Wall

### ⚠ WARNING

- Installer must verify that the supporting surface will safely support the combined load of the equipment and all attached hardware and components.
- Tighten wood screws so that wall plate is firmly attached, but do not overtighten. Overtightening can damage the screws, greatly reducing their holding power.
- Never tighten in excess of 80 in. • lb (9 N.M.).
- Make sure that mounting screws are anchored into the center of the stud. The use of an "edge to edge" stud finder is highly recommended.
- Hardware provided is for attachment of mount through standard thickness drywall or plaster into wood studs. Installers are responsible to provide hardware for other types of mounting situations (not evaluated by UL).

- 1 Using a stud finder, locate and mark the edges of the wood stud. Use a level to draw a vertical line down the center of the stud and mark the desired screen center. Use wall plate template (wall arm) to mark center of holes along the vertical line. The top mounting hole should be 7.54" (192 mm) above the desired screen center as shown in figure 1.1. Drill three 5/32" (4 mm) dia. holes to a depth of 2.5" (64 mm). Attach wall arm (A) to wall with three wood screws (C) using #3 phillips screwdriver bit (L) as shown in fig. 1.2. Level then tighten all fasteners.

Insert three fastener caps (F) into wall plate mounting holes.



CS = CENTER OF SCREEN  
fig. 1.1

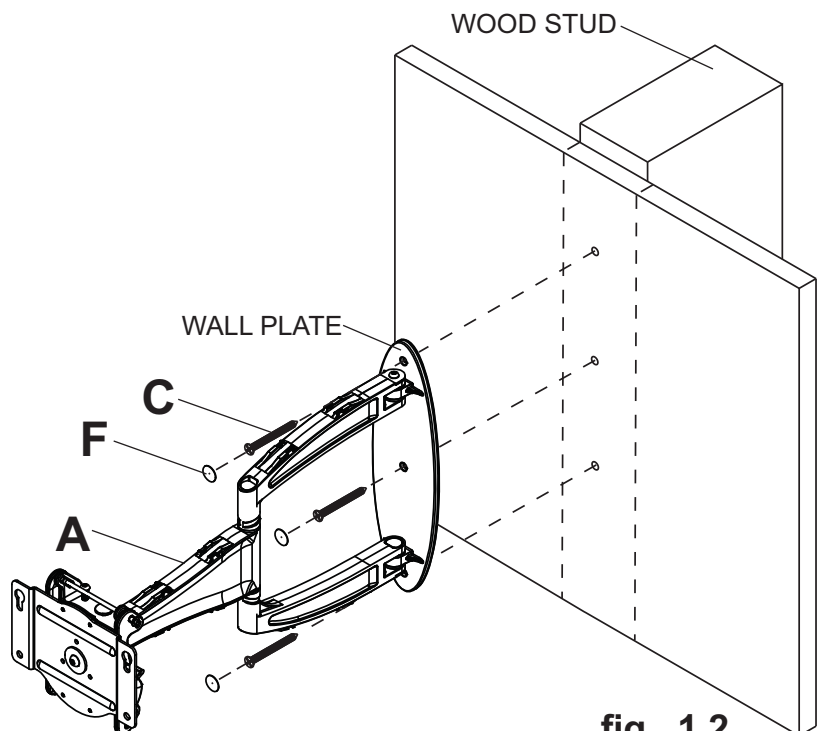


fig. 1.2

# Installation to Solid Concrete or Cinder Block

## ⚠ WARNING

- When installing Peerless wall mounts on cinder block, verify that you have a minimum of 1-3/8" (35 mm) of actual concrete thickness in the hole to be used for the concrete anchors. Do not drill into mortar joints! Be sure to mount in a solid part of the block, generally 1" (25 mm) minimum from the side of the block. Cinder block must meet ASTM C-90 specifications. It is suggested that a standard electric drill on slow setting is used to drill the hole instead of a hammer drill to avoid breaking out the back of the hole when entering a void or cavity.
- Concrete must be 2000 psi density minimum. Lighter density concrete may not hold concrete anchor.
- Make sure that the supporting surface will safely support the combined load of the equipment and all attached hardware and components.

- 1** Mark the desired screen center and use wall plate template (wall plate) to mark mounting holes. The top mounting hole should be 7.54" (192 mm) above the desired screen center as shown in figure 1.1 on page 5. Drill three 5/16" (8 mm) dia. holes 2.5" (64 mm) deep as shown in fig. 1.3. Insert anchors (D) into holes flush with wall. Place wall arm (A) over anchors and secure with three wood screws (C) using #3 screwdriver bit (L). Level then tighten all fasteners.
- Insert three fastener caps (F) into wall plate mounting holes.

## ⚠ WARNING

- Tighten screws so that wall plate is firmly attached, but do not overtighten. Overtightening can damage screws, greatly reducing their holding power.
- Never tighten in excess of 80 in. • lb (9 N.M.).
- Always attach concrete expansion anchors directly to load-bearing concrete.
- Never attach concrete expansion anchors to concrete covered with plaster, drywall, or other finishing material. If mounting to concrete surfaces covered with a finishing surface is unavoidable (not evaluated by UL), the finishing surface must be counterbored as shown below. Be sure concrete anchors do not pull away from concrete when tightening screws. If plaster/drywall is thicker than 5/8" (16 mm), custom fasteners must be supplied by installer (not evaluated by UL).

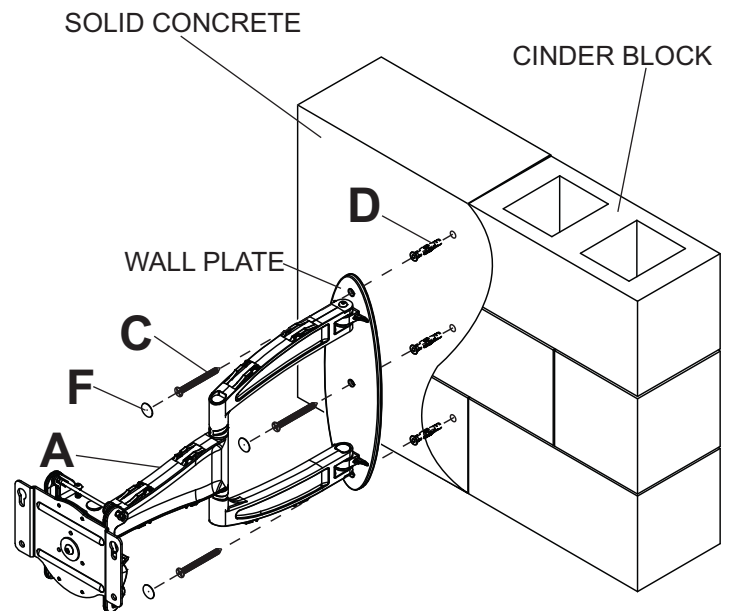
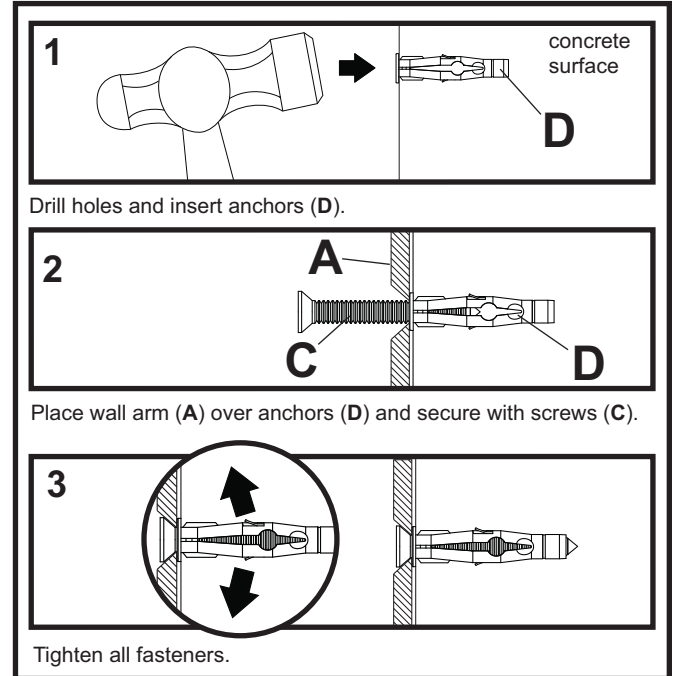
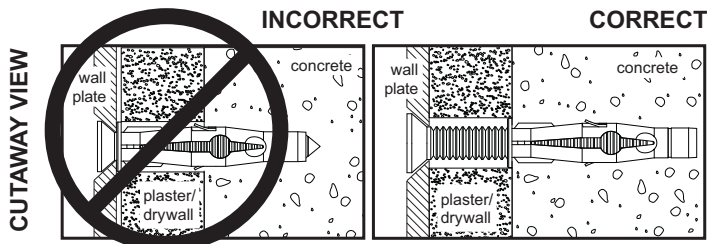


fig. 1.3

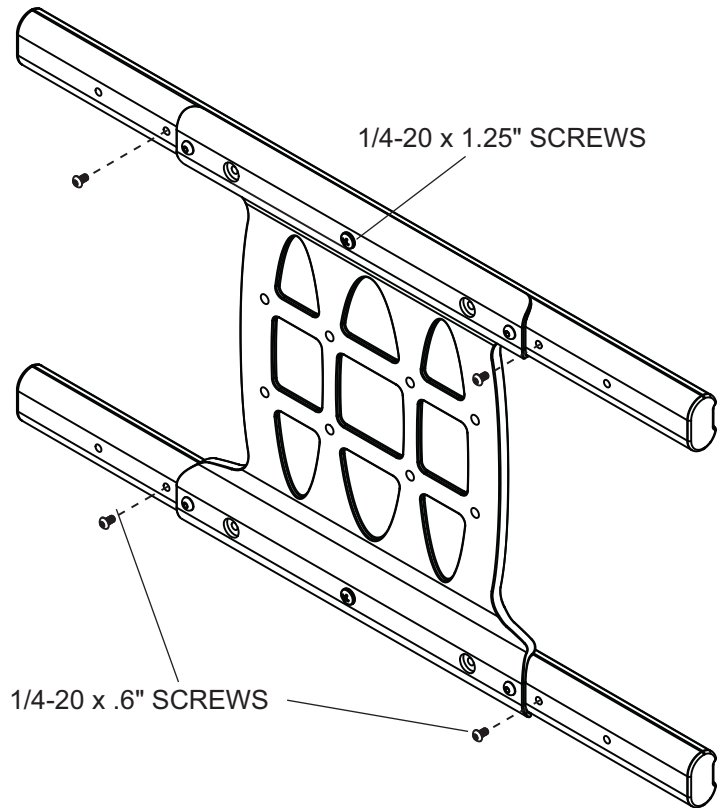
## Installing Adapter Brackets to Screen

**NOTE:** If screen has a VESA 400 horizontal mounting pattern, skip to step 2-3 or 2-4 on page 9.

**NOTE:** For dedicated PLP plate installation skip to step 4 on page 12.

**2**

Remove four 1/4-20 x .6" screws using 5 mm allen wrench (I) and loosen two 1/4-20 x 1.25" screws 1/2 turn to allow for screen bracket adjustment.

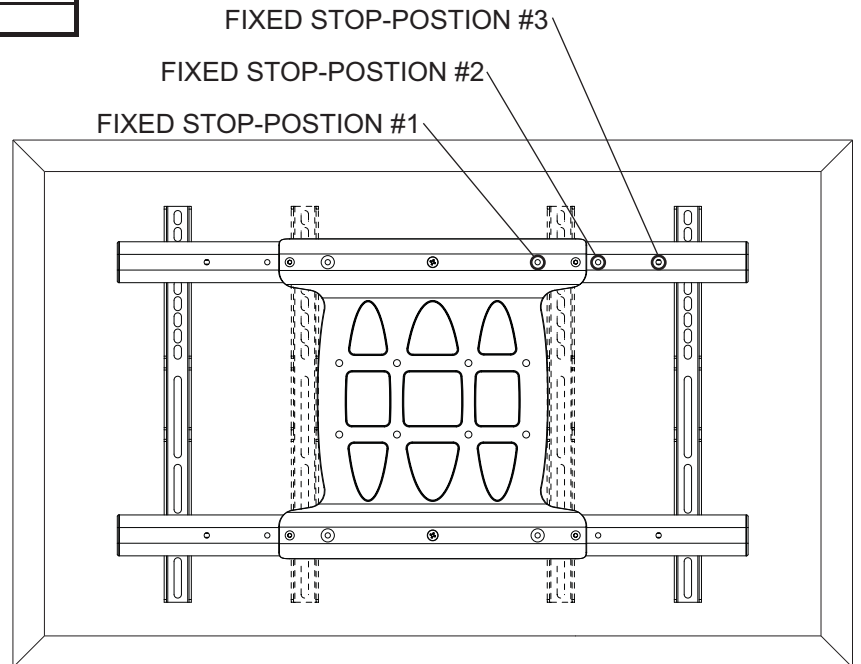


**2-1**

To prevent scratching the screen, set a cloth on a flat, level surface that will support the weight of the screen. Place screen face side down and refer to screen manufacturers instructions for removing obstructions from the back of the screen. Adjust screen brackets to align with screen mounting holes.

Measure horizontal mounting hole pattern and choose fixed stop-position from chart below. **NOTE:** If horizontal mounting hole pattern on back of display has a VESA 200 pattern, skip to step 3 on page 10.

horizontal mounting hole pattern	fixed stop-position
10-3/4" - 16-1/16" (273 - 408 mm)	#1
15-1/16" - 21-9/16" (383 - 548 mm)	#2
20-7/16" - 27-9/16" (519 - 700 mm)	#3



## Installing Adapter Brackets to Screen

### ⚠ WARNING

- Tighten screws so screen brackets are firmly attached to screen. Do not tighten with excessive force. Overtightening can cause stress damage to screws, greatly reducing their holding power and possibly causing screw heads to become detached. Tighten to 40 in. • lb (4.5 N.M.) maximum torque.
- If screws don't get three complete turns in the screen inserts or if screws bottom out and bracket is still not tightly secured, damage may occur to screen or product may fail.

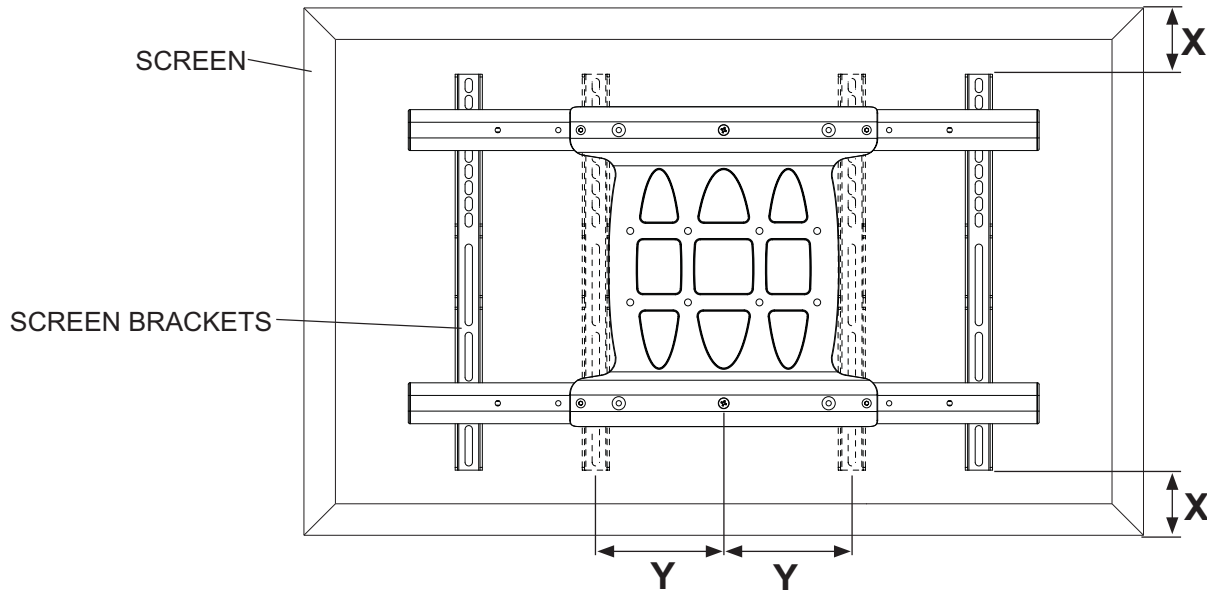
**2-2**

Select the screws from the baffled fastener pack that best fit your screen and secure to screen following step 2-3 or 2-4 on page 9.

**NOTE:** Top and bottom mounting holes must be used for attaching screen brackets. Middle holes should also be used where the fasteners and screens allow.

Verify that all holes are properly aligned, then tighten screws using a phillips screwdriver.

### CENTER SCREEN BRACKETS VERTICALLY AND HORIZONTALLY ON BACK OF SCREEN



**NOTE:** "X" dimensions should be equal.  
"Y" dimensions should be equal.

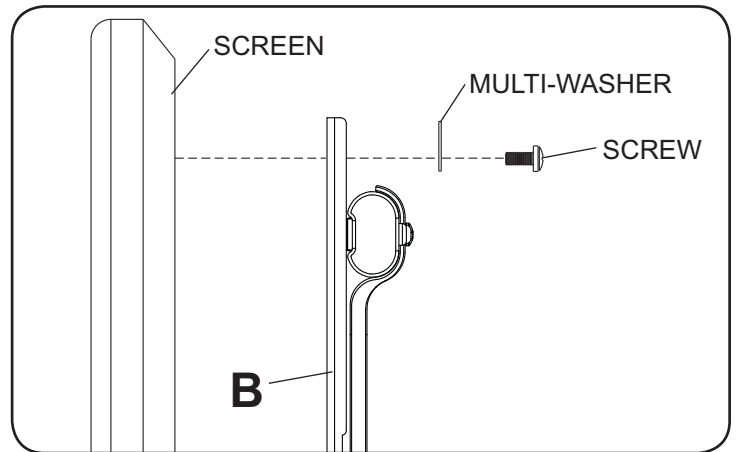


## For Flat Back Screen

**2-3** Begin with the shortest length screw, hand thread screw through multi-washer and screen brackets (B) into screen as shown below. Screw must make at least three full turns into the mounting hole and fit snug into place. Do not over tighten. If screw cannot make three full turns into the screen, select a longer length screw from the baffled fastener pack. Repeat for remaining mounting holes, level screen brackets and tighten screws.

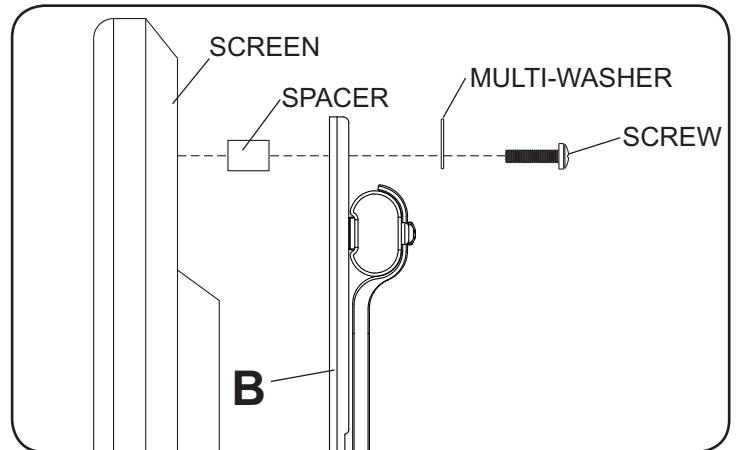
**NOTE:** Spacers may not be used, depending upon the type of screen.

*Skip to step 2-5.*

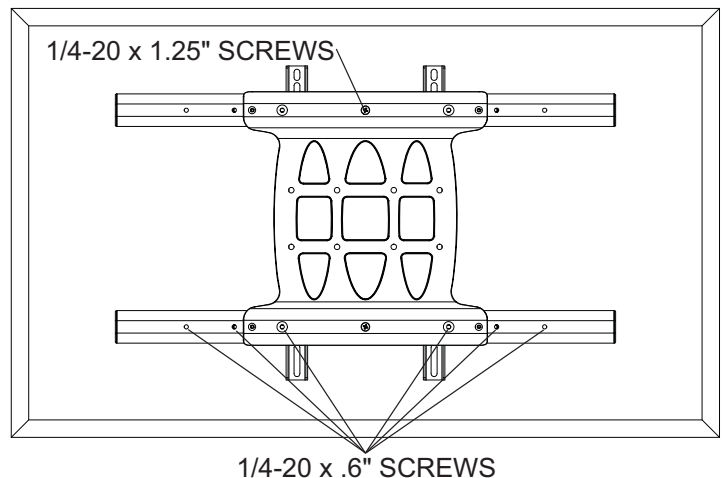


## For Bump-out or Recessed Back Screen

**2-4** Begin with the longest length screw, hand thread screw through multi-washer, screen brackets (B) and spacer in that order into screen as shown below. Screw must make at least three full turns into the mounting hole and fit snug into place. Do not over tighten. If screw cannot make three full turns into the screen, select a shorter length screw from the baffled fastener pack. Repeat for remaining mounting holes, level screen brackets and tighten screws.



**2-5** Center screen brackets horizontally and vertically on back of screen. Tighten two 1/4-20 x 1.25" screws. Reinstall four 1/4-20 x .6" screws using 5 mm allen wrench (I) into appropriate fixed-stop position from chart on page 7.



## VESA 200 x 200 or VESA 200 x 100 Mounting Pattern

**3** Remove four 1/4-20 self tapping screws to detach screen brackets from universal adapter bracket (**B**) using 5 mm allen wrench (I) as shown in figure 3.1.

Reinstall four 1/4-20 self tapping screws to secure screen brackets to inner set of mounting holes on universal adapter bracket (**B**) as shown in figure 3.2.

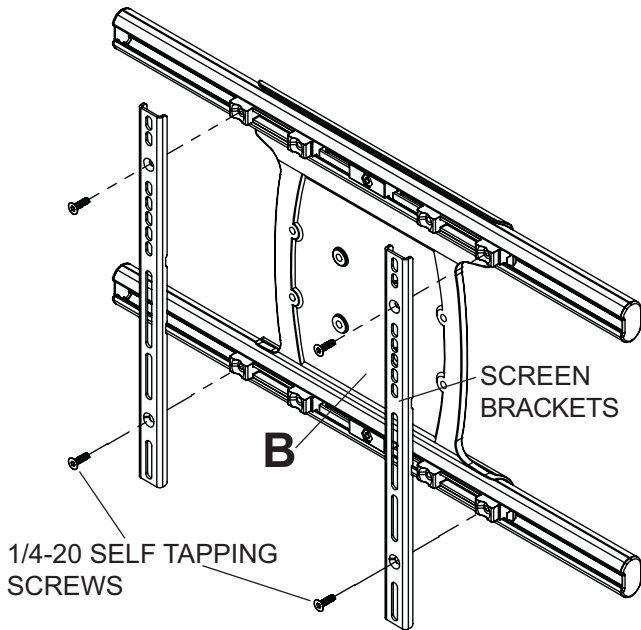


fig. 3.1

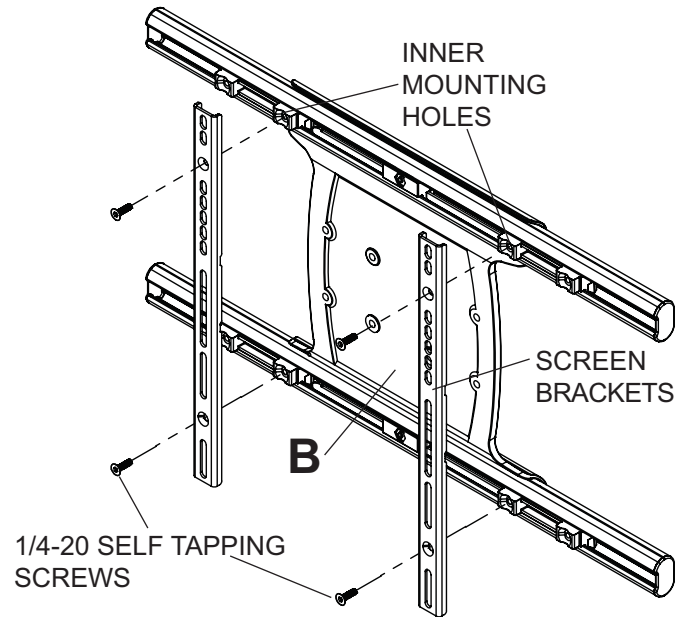
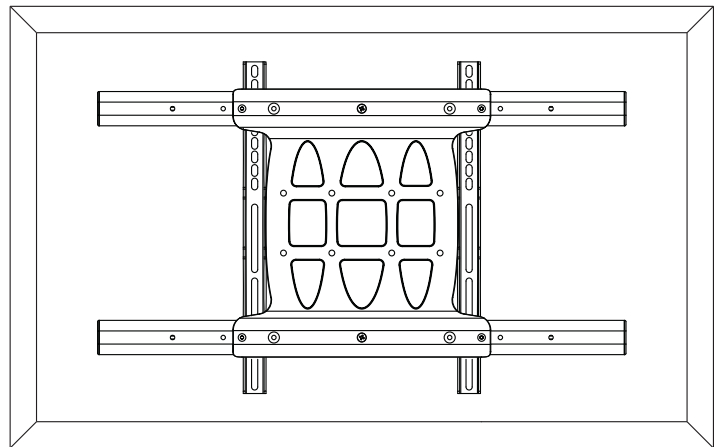


fig. 3.2

**3-1** To prevent scratching the screen, set a cloth on a flat, level surface that will support the weight of the screen. Place screen face side down and place universal adapter bracket (**B**) onto screen.

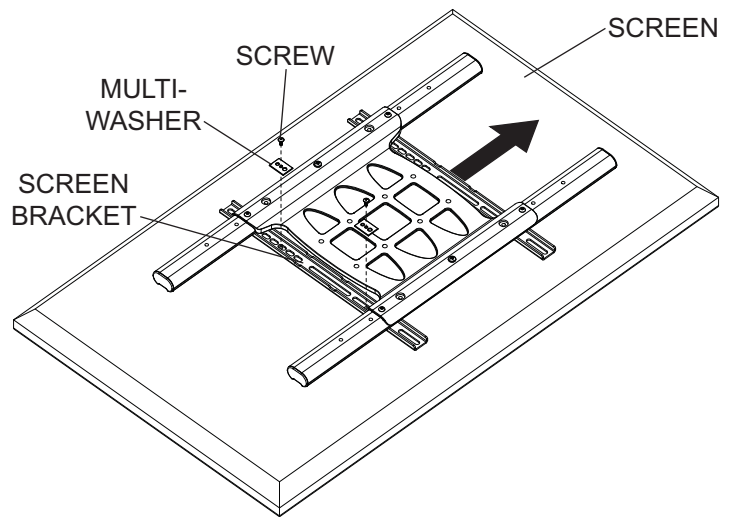


## VESA 200 x 200 or VESA 200 x 100 Mounting Pattern (Continued)

**3-2** Align one screen bracket with one set of screen mounting holes.

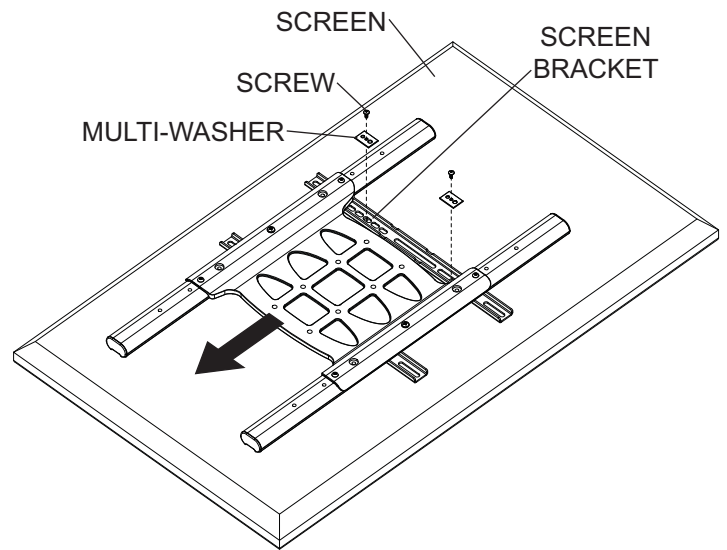
Begin with the shortest length screw, hand thread screw through multi-washer and screen brackets into screen as shown. Screw must make at least three full turns into the mounting hole and fit snug into place. Do not over tighten. If screw cannot make three full turns into the screen, select a longer length screw from the baffled fastener pack. Center screen brackets vertically and tighten screws.

**NOTE:** For screens with a bump-out or recessed back, spacer may be used. Spacer goes between screen bracket and screen.



**3-3** Slide universal adapter bracket to the opposite side and align second screen bracket with second set of screen mounting holes.

Hand thread screws through multi-washer, screen bracket, and spacer if used, into screen as shown. Tighten all screws.



**3-4** Center screen brackets horizontally on back of screen as shown in figure 3.3.

Tighten two 1/4-20 x 1.25" screws. Reinstall four 1/4-20 x .6" screws using 5 mm allen wrench (I) into fixed-stop position 1 as shown in figure 3.4.

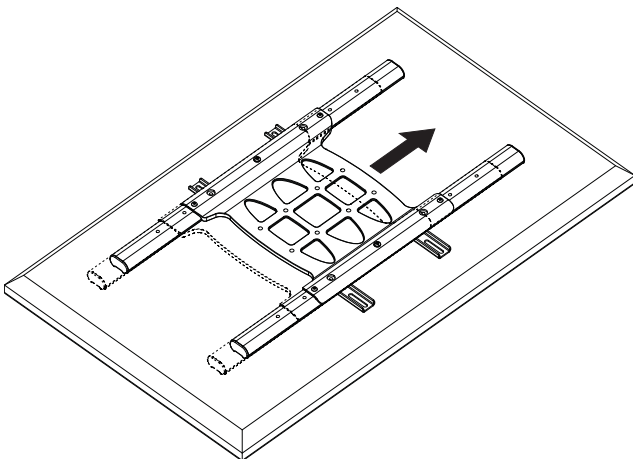


fig. 3.3

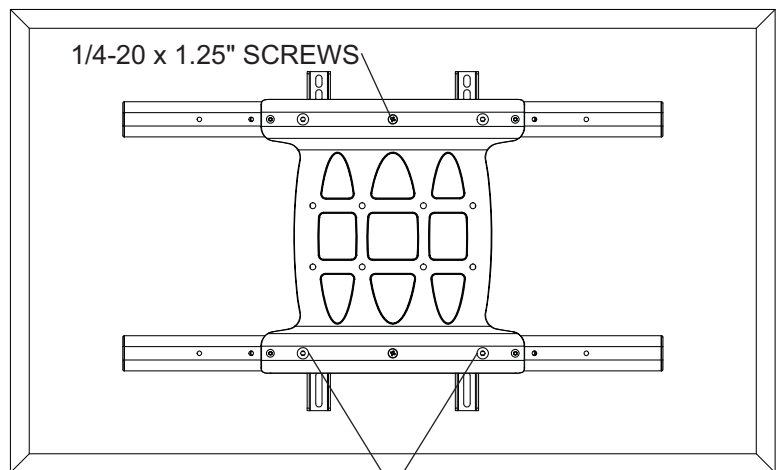


fig. 3.4

FIXED STOP POSITION #1 WITH  
1/4-20 x .6" SCREWS

# Mounting Flat Panel Screen

## ⚠ WARNING

- Do not lift more weight than you can handle. Use additional man power or mechanical lifting equipment to safely handle placement of the screen.
- Do not tighten screws with excessive force. Overtightening can cause damage to mount. Tighten M10 x 15 mm screws (E) to 40 in. • lb (4.52 N.M.) maximum torque.

**4** For Dedicated PLP Plate (not evaluated by UL): Refer to PLP model instruction sheet for attachment of dedicated PLP plate to screen. Install two M10 x 15 mm screws (provided with dedicated PLP plate) into top two holes of dedicated PLP plate leaving 1/4" of exposed thread as shown in figure 4.1.

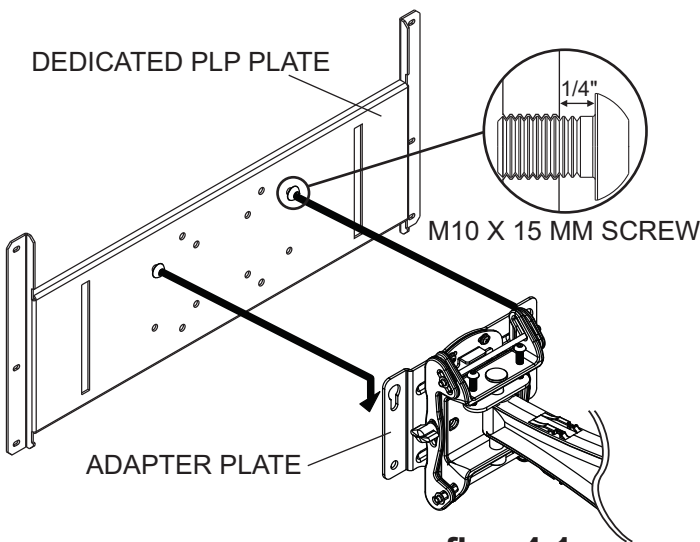


fig. 4.1

For Universal Adapter Bracket: Hook M10 x 15 mm screws into keyslots of wall arm adapter plate (A) as shown figure 4.2.

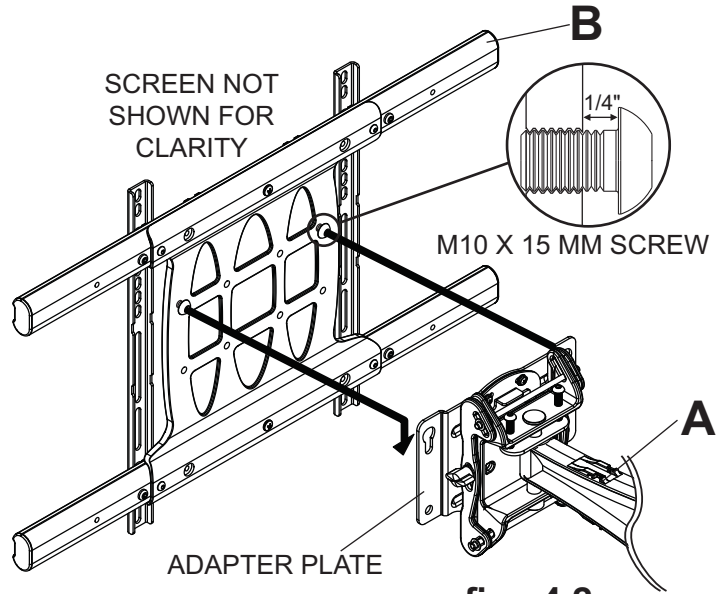


fig. 4.2

**4-1** Insert two M10 x 15 mm screws (E) into bottom holes of adapter plate as shown in figure 4.3 or 4.4. Tighten all fasteners with 6 mm allen wrench (H).

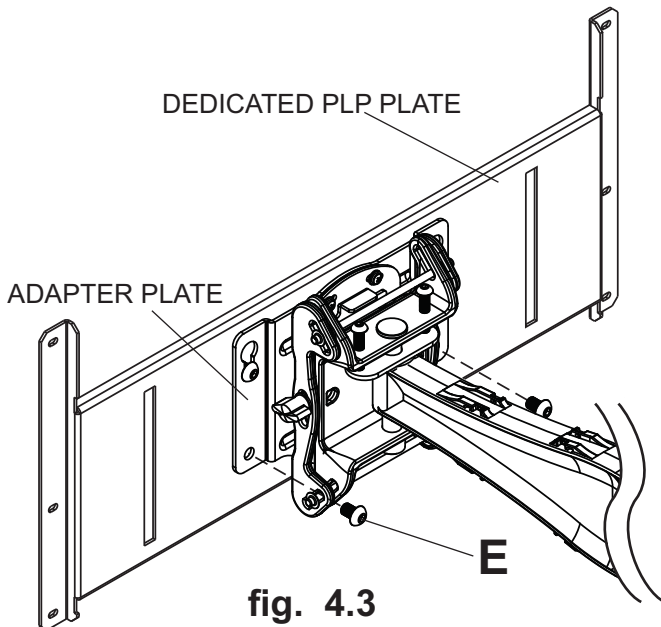


fig. 4.3

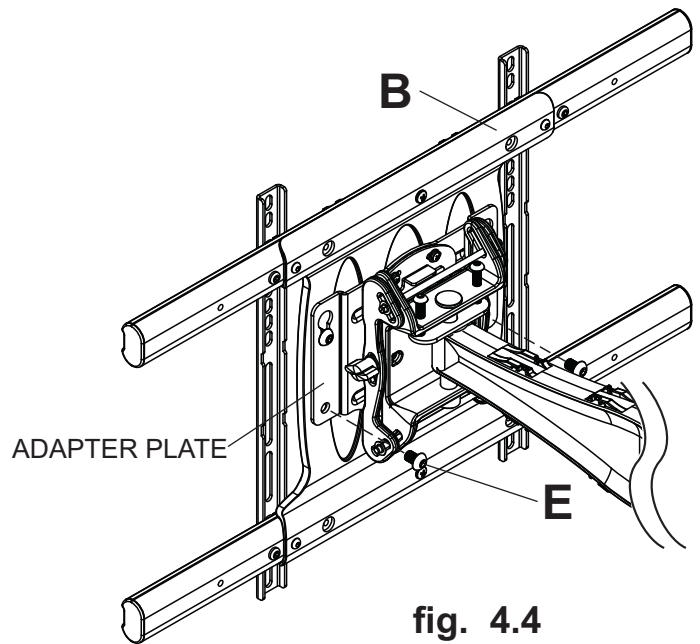


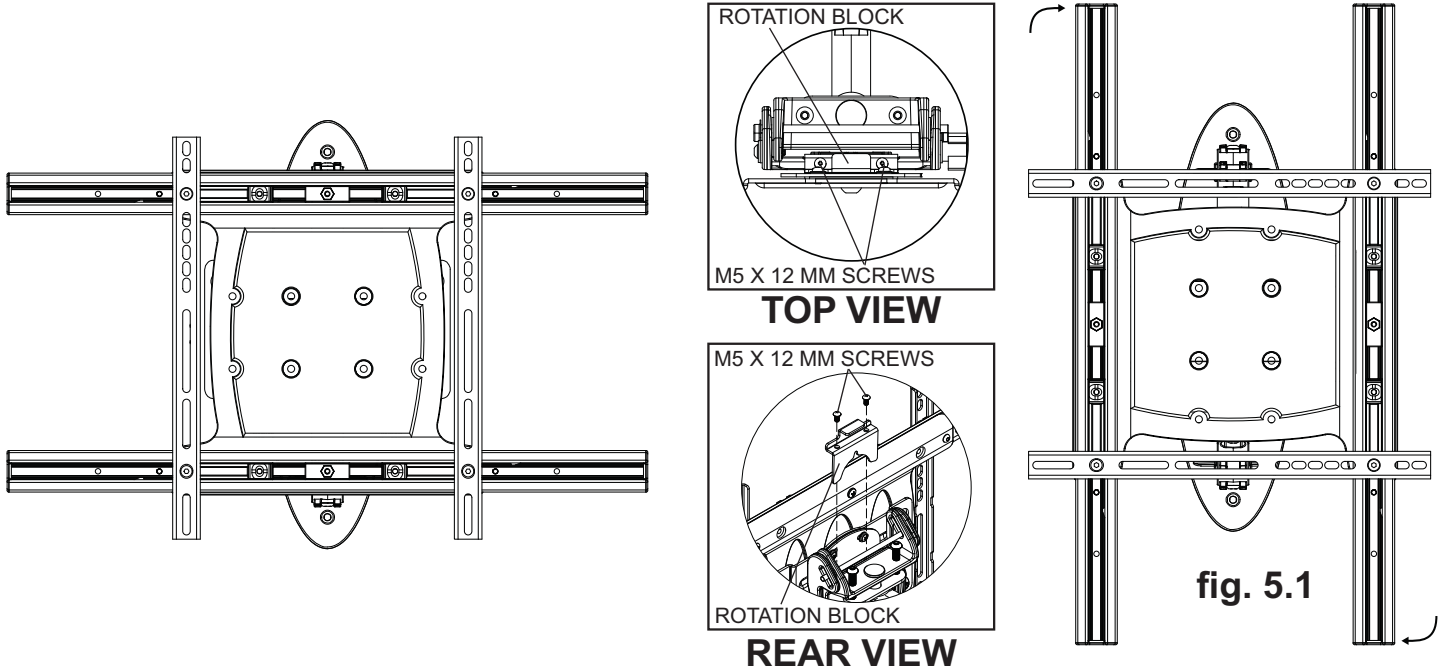
fig. 4.4

# Adjustment of Flat Panel Screen

## ⚠ WARNING

- M10 x 15 mm screws (E) must be securely tightened before changing orientation of wall arm (A). Failure to lock adapter bracket can cause screen to come off of mount.

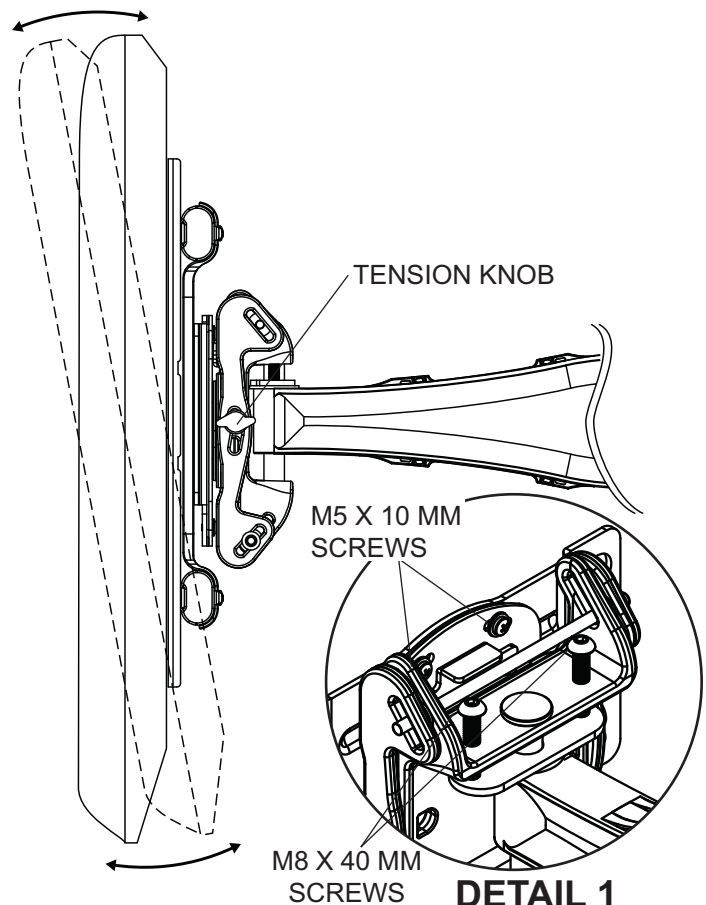
**5 FOR PORTRAIT OR LANDSCAPE SCREEN ORIENTATION:** Remove two M5 x 12 mm screws and rotation block from top of tilt head as shown in top view and rear view. Gently grasp sides of screen and rotate screen into portrait or landscape position as shown in figure 5.1 and reinstall rotation block with two M5 x 12 screws.



**6 TILT Adjustment:** Adjust tension knob on side of mount to desired tension to enable tilt adjustment and balance your screen size and weight. Push or pull from top or bottom of screen to adjust tilt as shown. The tilt can be adjusted to a maximum of 10° forward or 5° backward. Retighten tension knob.

**ROLL Adjustment:** Rotate screen 5° clockwise or counter-clockwise, level screen then tighten M5 x 10 mm screws using 5 mm allen wrench (I) as shown in detail 1.

**FOR VERTICAL HEIGHT ADJUSTMENT:** Tighten or loosen two M8 x 40 mm screws an equal number of turns to achieve ± 1" of vertical height adjustment as shown in detail 1.

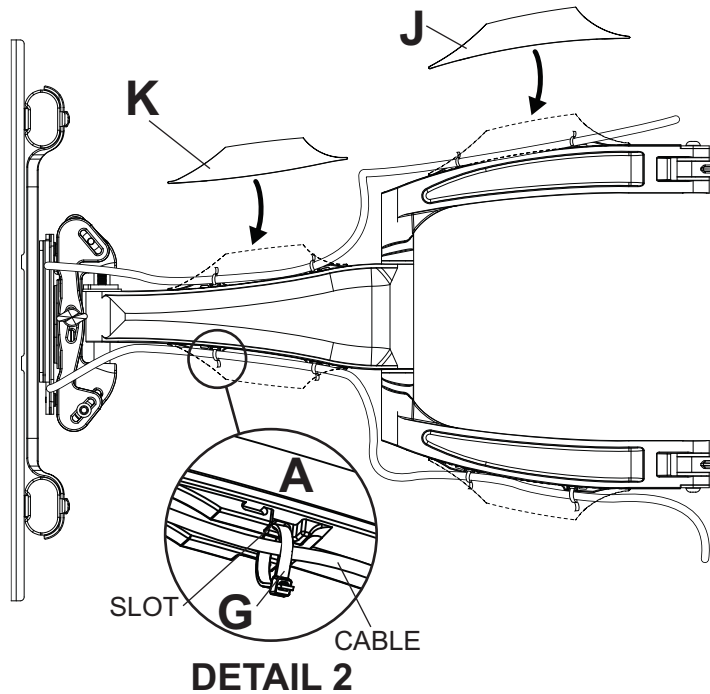


## CAUTION

- Do not tighten screws with excessive force.
- Be careful not to pinch fingers when opening and closing mount from the wall.

## Cable Management

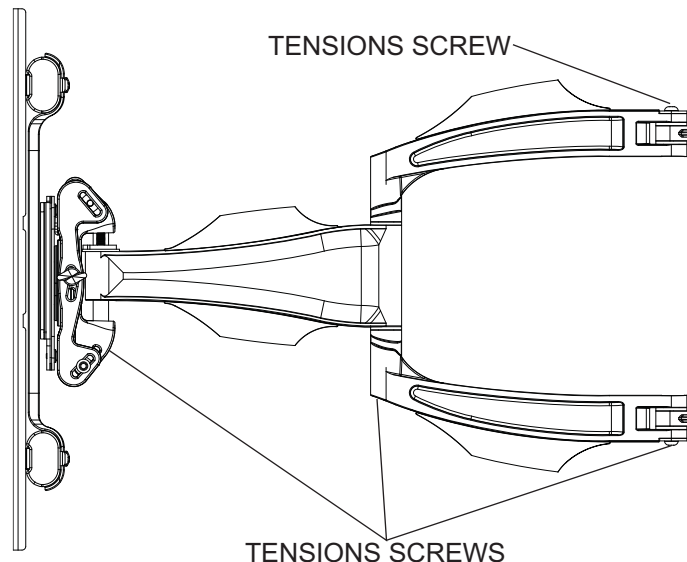
- 7** **NOTE:** Make sure cables have enough slack to allow full movement of the arm.
- Run power cable through top or bottom of wall arm (**A**) and signal cable(s) through other side of arm in order to avoid interference with the signal. Lock cables into place by snapping cable covers (**J & K**) onto mount. Screen may have to be moved for easy access.
- Optional:** If additional cable management is required route cable ties (**G**) through slots of wall arm (**A**) as shown in detail 2.



### ⚠ WARNING

- Do not remove screw or loosen screw until it is no longer engaged with the mount. Doing so may cause the screen to fall.
- If screws become loose over time, tighten screws as necessary. Tighten screws to 50 in • lbs (5.6 N.m.) maximum torque.

- 8** If more or less tension is desired in the arm pivot points, do the following:
- To increase tension, turn socket screw clockwise with 5 mm allen wrench (I). **NOTE: Tighten screws to 50 in • lbs (5.6 N.m.) maximum torque.**
  - To reduce tension, turn socket screw counter-clockwise with 5 mm allen wrench (I). **NOTE: Do not turn more than half a turn.**

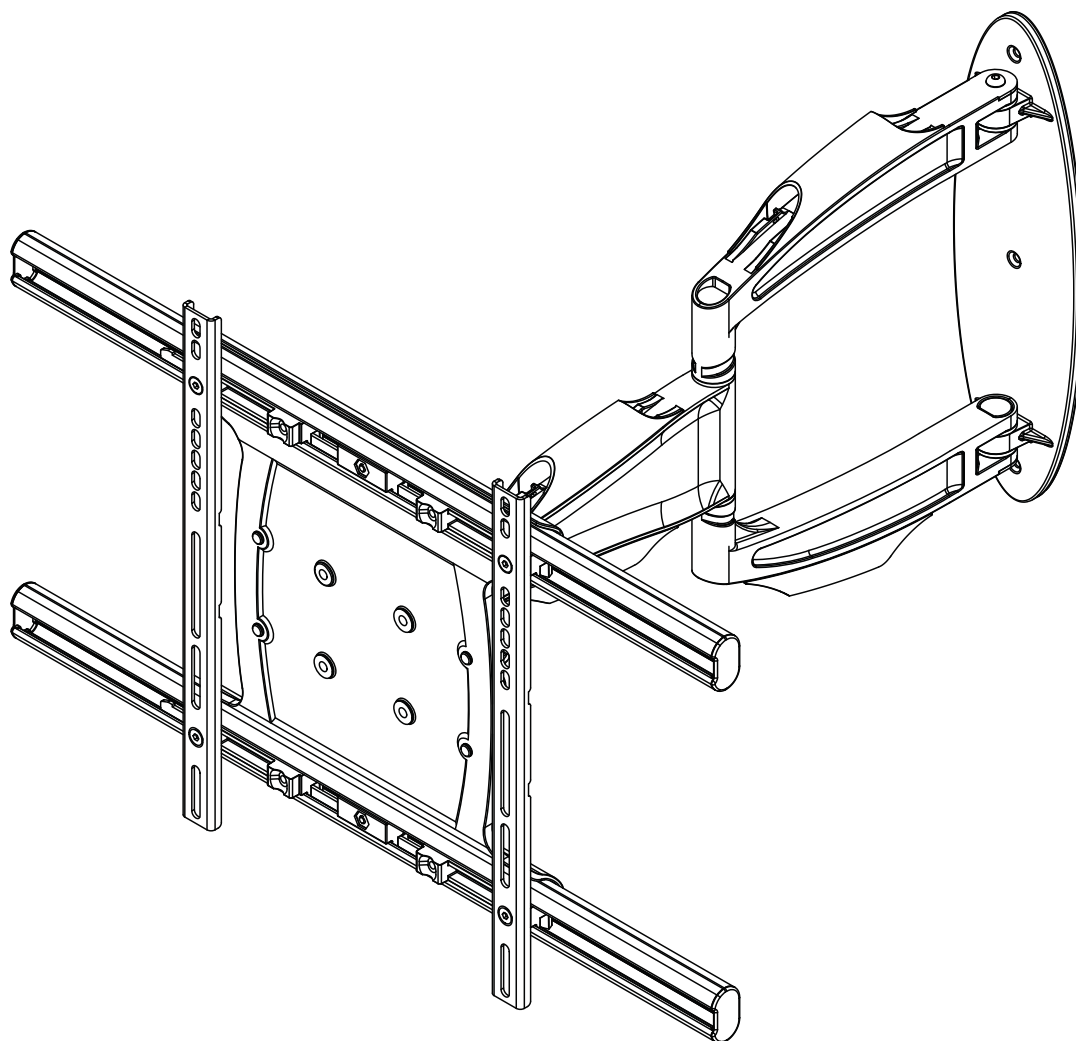




## Instalación y montaje: Soportes de pared de brazo articulador para pantallas planas de 32" a 52"

---

Modelos: SA752PU



**Máxima capacidad de carga para UL:**  
90 lb (41 kg)

**NOTA:** Lea la hoja de instrucciones completa antes de comenzar la instalación y el ensamblaje.

## ▲ ADVERTENCIA

- No comience a instalar su producto de Peerless hasta haber leído y entendido las instrucciones y las advertencias contenidas en la Hoja de Instalación. Si tiene alguna pregunta acerca de cualquiera de las instrucciones o las advertencias, por favor, llame a Servicio al Cliente de Peerless al 1-800-865-2112 si está en EE. UU. Si es un cliente internacional, por favor, comuníquese con su distribuidor local.
- Este producto sólo debe ser instalado por una persona que tenga una buena aptitud mecánica, que tenga experiencia en construcción básica de edificios y que entienda estas instrucciones en su totalidad.
- Asegúrese de que la superficie de apoyo sostendrá, con seguridad, la carga combinada del equipo y todos los fijadores y componentes.
- Nunca sobrepase la capacidad máxima de soportar carga aceptada por Underwriters Laboratories. Vea la página 15.
- Si va a instalar el producto en una pared con montantes de madera, asegúrese de que los tornillos de montaje estén anclados en el centro de los montantes. Se recomienda utilizar un localizador de montantes de "borde a borde".
- Siempre cuente con la ayuda de un asistente o utilice un equipo mecánico de izar para levantar y colocar el equipo con más seguridad.
- Apriete los tornillos con firmeza, pero no en exceso. Apretarlos en exceso puede dañar los artículos y puede disminuir significativamente su fuerza de fijación.
- Este producto está diseñado para uso en interiores solamente. Utilizar este producto en exteriores podría causar fallos del producto y lesiones a individuos.
- Este producto fue diseñado para ser instalado en paredes con la siguiente construcción solamente:

### CONSTRUCCIÓN DE LA PARED

- Montante de madera
- Viga de madera
- Concreto macizo
- Bloque de hormigón de escorias
- Montante de metal
- Ladrillo
- ¿Otra superficie o no está seguro?

### ACCESORIOS NECESARIOS

- Incluido
- Incluido
- Incluido
- Incluido
- No lo instale excepto con el juego de accesorios de Peerless para montantes de metal (no evaluados por UL)
- Comuníquese con un profesional calificado (no evaluados por UL)
- Comuníquese con un profesional calificado

## Herramientas necesarias para el ensamblaje

- localizador de montantes (se recomienda uno de "borde a borde")
- destornillador phillips
- broca de 5/16" (8 mm) para paredes de concreto y de bloque de hormigón de escorias
- broca de 5/32" (4 mm) para paredes con montantes de madera
- nivel

## Tabla de Contenido

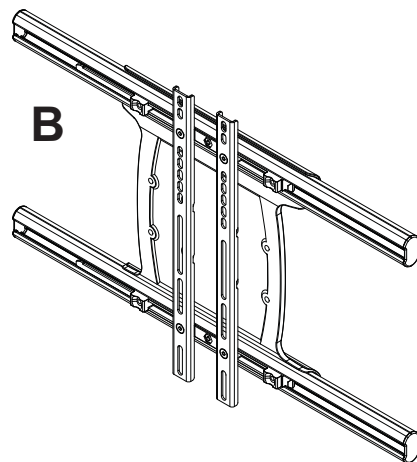
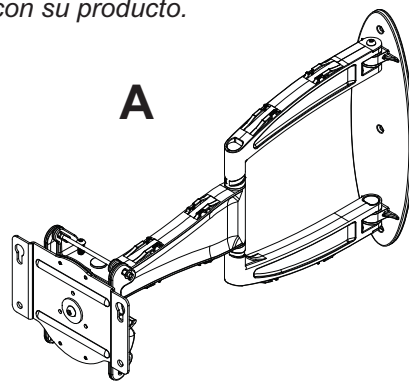
Lista de piezas.....	17, 18
Instalación en una pared .....	19, 20
Instalación del soporte adaptador universal .....	21-25
Instalación de la pantalla plana .....	26
Manejo de los cables.....	28



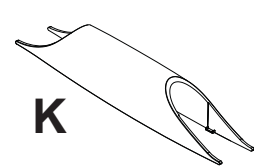
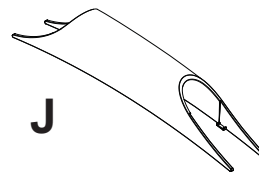
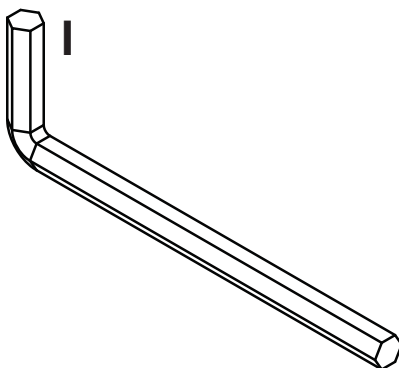
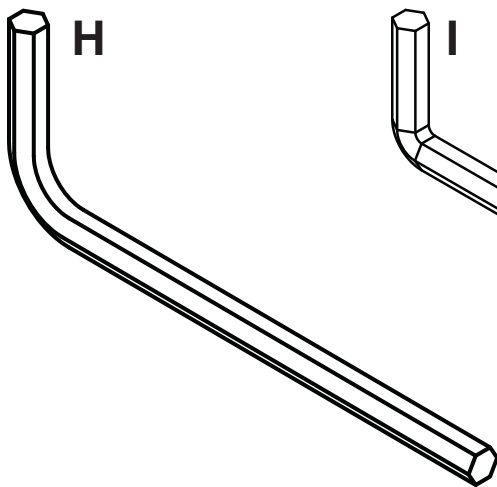
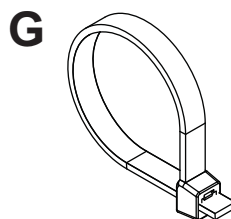
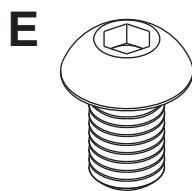
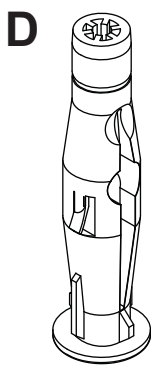
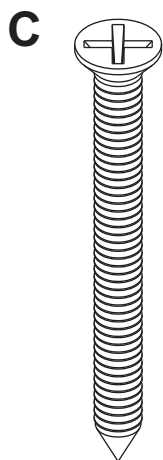
Antes de empezar, asegúrese de que todas las piezas que se muestran son incluidos con su producto.

## Lista de piezas

Descripción	Cant.	SA752PU Nº de pieza
<b>A</b> brazo de pared	1	095-P1642
<b>B</b> soporte adaptador universal	1	095-P1635-2
<b>C</b> tornillos para madera	3	520-1202
<b>D</b> concreto de anclajes	3	590-0320
<b>E</b> tornillos de M10 x 15 mm	2	520-9262
<b>F</b> cubiertas para sujetadores	3	590-1324
<b>G</b> sujetacables	8	590-1168
<b>H</b> llave allen de 6 mm	1	560-9716
<b>I</b> llave allen de 5 mm	1	560-9640
<b>J</b> Cubierta trasera para cables	2	590-P1326
<b>K</b> Cubierta delantera para cables	2	590-P1327
<b>L</b> Destornillador de cabeza #3 (no ilustrado)	1	560-0209



Las piezas pueden verse un poco distintas a la ilustración.



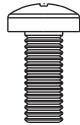
## Fijaciones para los soportes adaptadores



M4 x 12 mm (6)  
(504-9013)



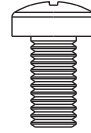
M4 x 25 mm (4)  
(504-1015)



M5 x 12 mm (4)  
(520-1027)



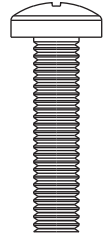
M5 x 25 mm (4)  
(520-9543)



M6 x 12 mm (4)  
(520-1128)



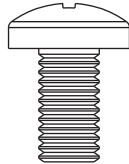
M6 x 20 mm (4)  
(520-9402)



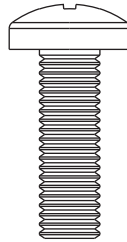
M6 x 25 mm (4)  
(520-1208)



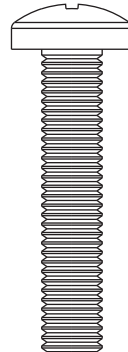
M6 x 30 mm (4)  
(510-9109)



M8 x 16 mm (6)  
(520-9257)



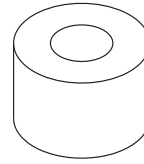
M8 x 25 mm (4)  
(520-1031)



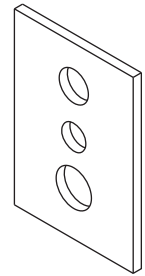
M8 x 40 mm (4)  
(520-1136)



I.D. .22" (4)  
(540-1057)



I.D. .34" (4)  
(540-1059)



arandela  
múltiple (6)  
(580-1036)

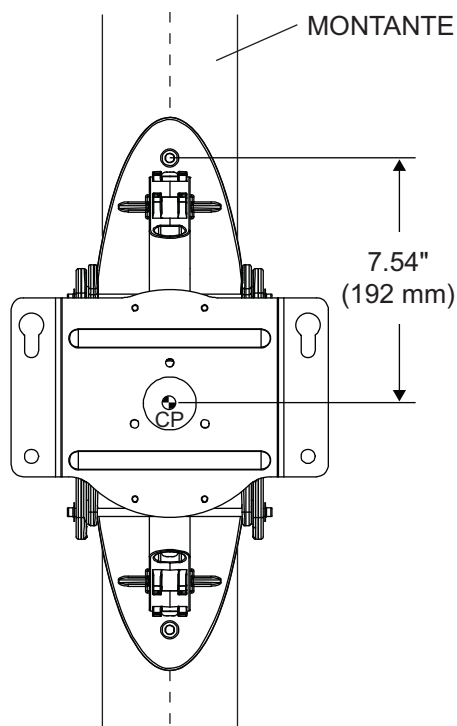
## Instalación en una pared con montante de madera único

### ▲ ADVERTENCIA

- El instalador debe verificar que la superficie de apoyo sea capaz de soportar firmemente la carga combinada del equipo y todos los herrajes y componentes.
- Apriete los tornillos para madera de tal modo que la placa de apoyo quede firmemente sujeta, pero no apriete en exceso. El apriete excesivo puede dañar los tornillos, reduciendo enormemente su fuerza de fijación.
- Nunca apriete más de 80 pulg-lb (9 N•m).
- Asegúrese de que los tornillos de montaje queden bien fijos en el centro del montante. Se recomienda usar un localizador de montantes de "borde a borde".
- Los herrajes suministrados son para fijar el soporte a través de tabique de yeso-cartón o yeso de espesor estándar a los montantes de madera. Los instaladores son responsables de suministrar los herrajes para otros tipos de situaciones de montaje (no evaluados por UL).

**1** Utilizando un localizador de montantes, localice y marque los bordes del montante. Se recomienda utilizar un localizador de montantes de "borde a borde". Utilice un nivel para trazar una línea vertical por el centro del montante y utilice la plantilla placa pared (brazo de pared) para marcar el centro de los agujeros sobre la línea vertical. Los agujeros de montaje superiores deben estar ubicados a 7.54" (192 mm) sobre el punto donde quiere que quede el centro de la pantalla, como se muestra en la figura 1.1. Taladre tres agujeros de 5/32" (4 mm) de diámetro con una profundidad de 2.5" (64 mm). Fije el brazo de pared (A) en la pared usando tres tornillos para madera (C) con Phillips broca #3 (L), como se muestra en la figura 1.2. Nivele la placa y apriete todos los sujetadores.

Inserte tres cubiertas para sujetadores (F) en los agujeros de montaje de la placa de pared.



CP = CENTRO DE LA PANTALLA

fig. 1.1

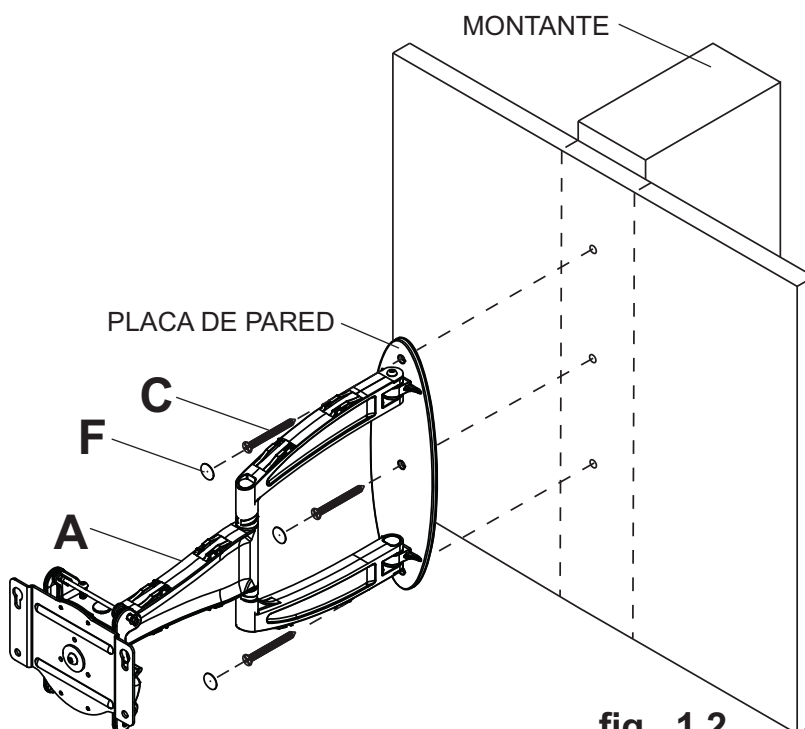


fig. 1.2

## Instalación en una pared de concreto macizo o de bloques de hormigón de escorias

### ⚠ ADVERTENCIA

- Cuando instale soportes de pared Peerless en bloques de hormigón de escorias, verifique que tengan un mínimo de 1-3/8" (35 mm) de superficie efectiva de concreto en el agujero que va a utilizar para los anclajes de concreto. ¡No perfore en las juntas de mortero! Asegúrese de instalar el soporte en una parte sólida del bloque, generalmente a un mínimo de 1" (25 mm) del costado del bloque. El bloque de hormigón de escorias debe ser de conformidad con las especificaciones C-90 de ASTM. Se sugiere taladrar el agujero con un taladro eléctrico normal en velocidad lenta en vez de un taladro percutor para evitar romper la parte trasera del agujero al entrar en un espacio o cavidad.
- El concreto debe tener una densidad mínima de 2000 psi. Un concreto menos denso podría no ser capaz de sujetar el anclaje para concreto.
- El instalador debe verificar que la superficie de apoyo sea capaz de soportar firmemente la carga combinada del equipo y todos los herrajes y componentes.

- 1** Utilice la plantilla placa pared (brazo de pared) para marcar los puntos de los agujeros de montaje. El agujero de montaje superior debe estar ubicado a 7.54" (192 mm) sobre el punto donde quiere que quede el centro de la pantalla, como se muestra en la figura 1.1 de la página 19. Taladre tres agujeros de 5/16" (8 mm) de diámetro y 2.5" (64 mm) de profundidad, como se muestra en la figura 1.3. Inserte los anclajes (D) en los agujeros a ras con la pared, como se muestra (a la derecha). Coloque el brazo de pared sobre los anclajes y fíjelo con los tornillos para madera (C) con Phillips broca #3 (L). Nivele y apriete todos los sujetadores. Inserte tres cubiertas para sujetadores (F) en los agujeros de montaje de la placa de pared.

### ⚠ ADVERTENCIA

- Apriete los tornillos de tal modo que la placa de apoyo quede firmemente sujeta, pero no los apriete en exceso. El apriete excesivo puede dañar los tornillos, reduciendo enormemente su fuerza de fijación.
- Nunca apriete más de 80 pulg-lb (9 N•m).
- Siempre fije los anclajes de expansión directamente al concreto que soporta carga.
- Nunca fije los anclajes de expansión a una pared de concreto recubierta con yeso, tabiques de yeso-cartón u otro material de acabado. Si el montaje a superficies de concreto recubiertas con una superficie de acabado es inevitable (no evaluados por UL), será necesario escariar el acabado, como se muestra más abajo. Asegúrese de que los anclajes de concreto no se alejen del concreto al apretar los tornillos. Si el grosor de la pared de yeso/tabique de yeso-cartón es mayor que 5/8" (16 mm), el instalador deberá suministrar fijaciones especiales (no evaluados por UL).

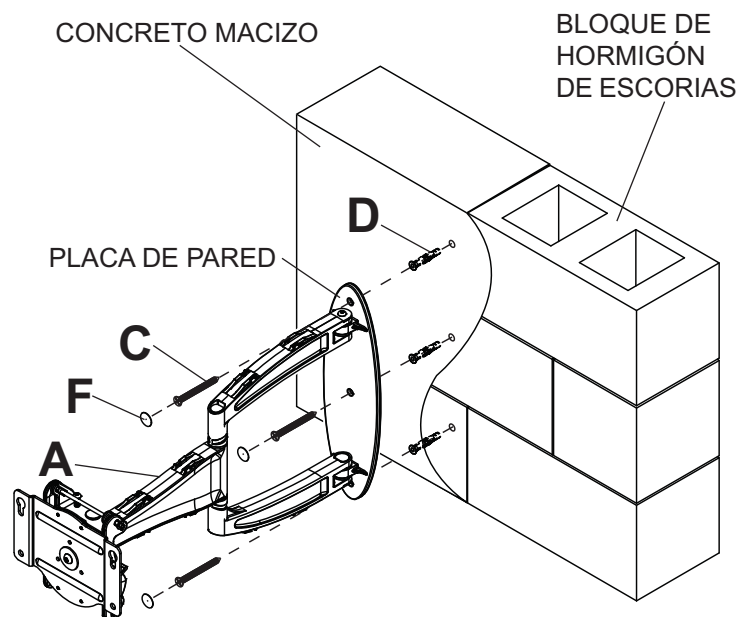
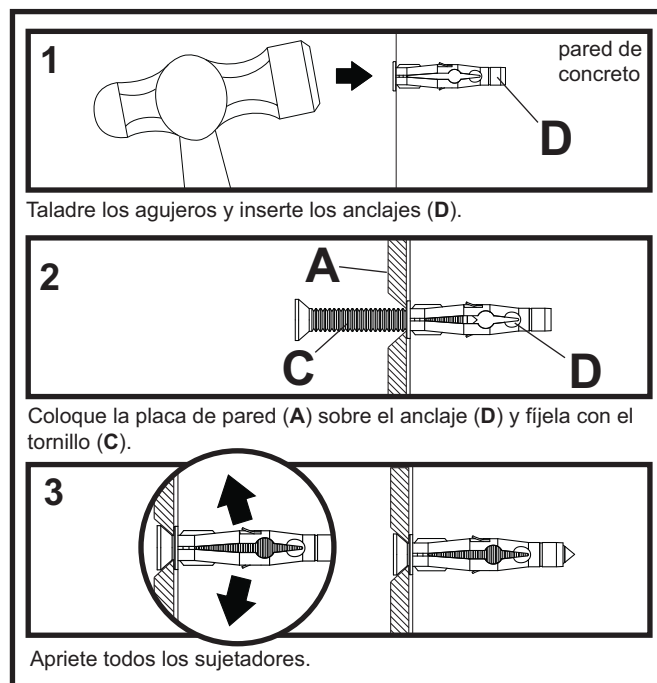
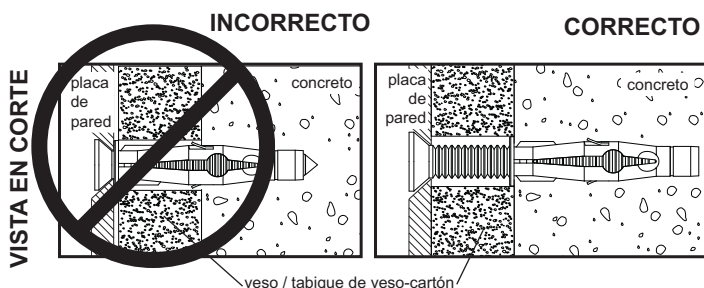


fig. 1.3

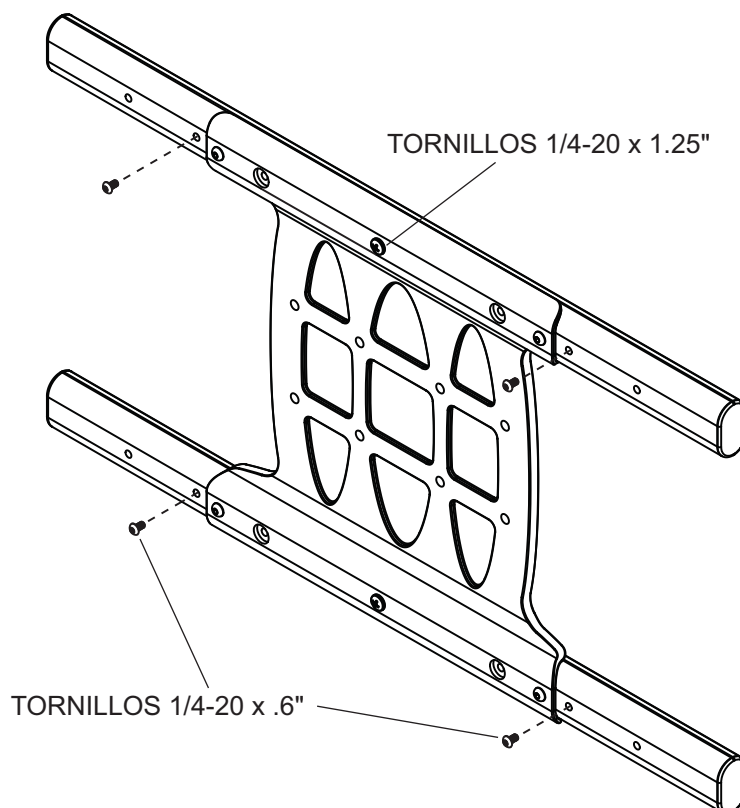
## Instalación de los soportes adaptadores

**NOTA:** Si la pantalla tiene una configuración de montaje horizontal VESA 400, proceda al paso 2-3 o al 2-4 de la página 23.

**NOTA:** Para instalar la placa exclusiva PLP, proceda al paso 4 de la página 26.

**2**

Quite los cuatro tornillos de 1/4-20 x .6" utilizando una llave allen de 5 mm (I) y afloje los dos tornillos de 1/4-20 x 1.25" 1/2 vuelta para poder ajustar el soporte de la pantalla.



**2-1**

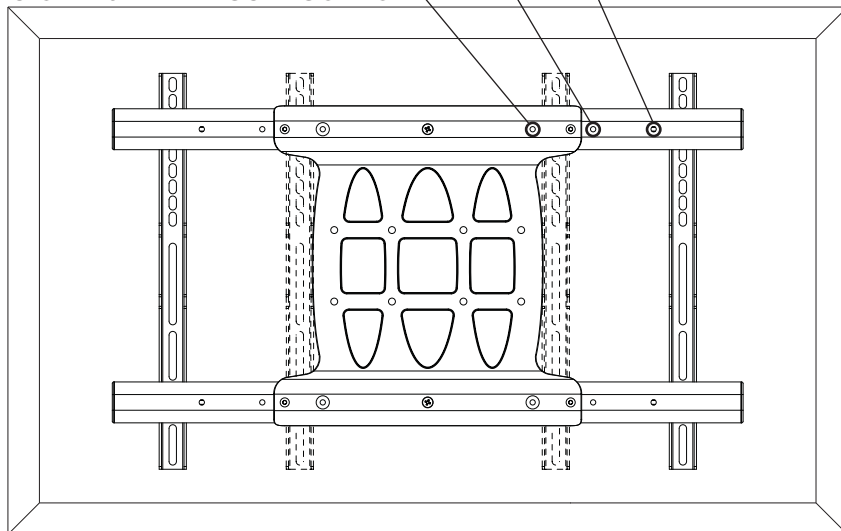
Para evitar que se raye la pantalla, coloque un trapo sobre una superficie plana y nivelada que sostenga el peso de la pantalla. Coloque la pantalla boca abajo y se refieren a la pantalla las instrucciones del fabricante para eliminar las obstrucciones de la parte posterior de la pantalla. Ajuste los soportes de la pantalla para alinear con los agujeros de montaje de pantalla.

Mida la configuración de montaje horizontal y escoja una posición fija de descanso de la tabla de abajo.

**NOTA:** Si la configuración de montaje horizontal en la parte trasera de la pantalla tiene el patrón VESA 200, proceda al paso 3 de la página 24.

configuración de montaje horizontal	posición fija de descanso
10-3/4" - 16-1/16" (273 - 408 mm)	#1
15-1/16" - 21-9/16" (383 - 548 mm)	#2
20-7/16" - 27-9/16" (519 - 700 mm)	#3

POSICIÓN FIJA DE DESCANSO N.O 3  
 POSICIÓN FIJA DE DESCANSO N.O 2  
 POSICIÓN FIJA DE DESCANSO N.O 1



## Instalación de los soportes adaptadores

### ⚠ ADVERTENCIA

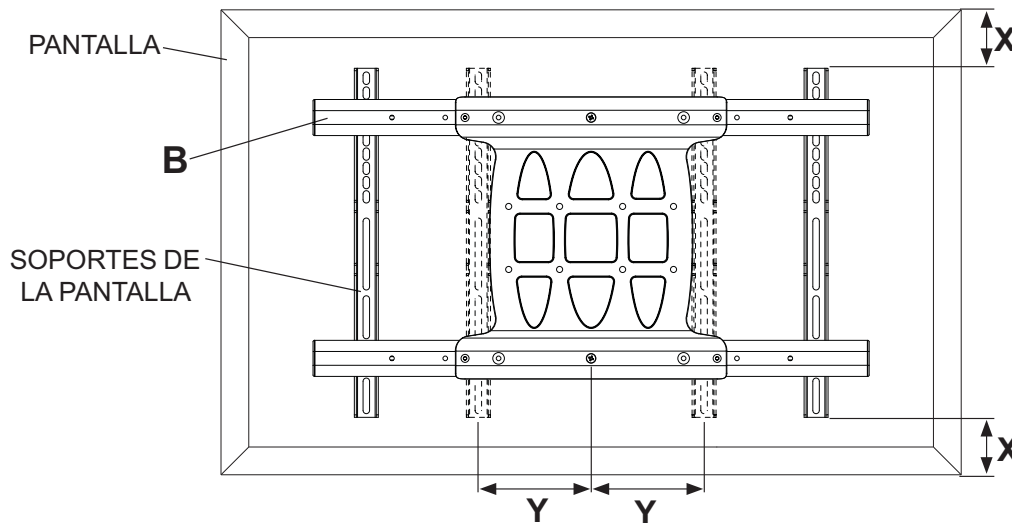
- Apriete los tornillos de tal modo que los soportes adaptadores queden firmemente sujetos. No apriete aplicando demasiada fuerza. El apriete excesivo puede causar daño por esfuerzo a los tornillos, reduciendo enormemente su fuerza de fijación y causando el posible desprendimiento de sus cabezas. Apriete los tornillos a 40 pulg-lb (4.5 N•m) de par torsor máximo.
- Si los tornillos no pueden atornillarse con tres vueltas completas en los insertos de la pantalla, o si los tornillos topan fondo y la placa todavía no está firmemente sujeta, se podría dañar la pantalla o causar la falla del producto.

**2-2**

Escoja los tornillos de los sujetadores identificados y clasificados en las divisiones del empaque plástico y luego fije los soportes de la pantalla siguiendo el paso 2-3 o el paso 2-4 de la página 23.

**NOTA:** Siempre se tienen que usar los agujeros superiores y los inferiores para la instalación de los soportes de la pantalla. También se deben usar los agujeros centrales en los casos en los que los sujetadores y las pantallas lo permitan. Verifique que todos los agujeros estén debidamente alineados; luego, apriete los tornillos utilizando un destornillador phillips.

**CENTRALICE LOS SOPORTES DE LA PANTALLA VERTICALMENTE EN LA PARTE TRASERA DE LA PANTALLA**



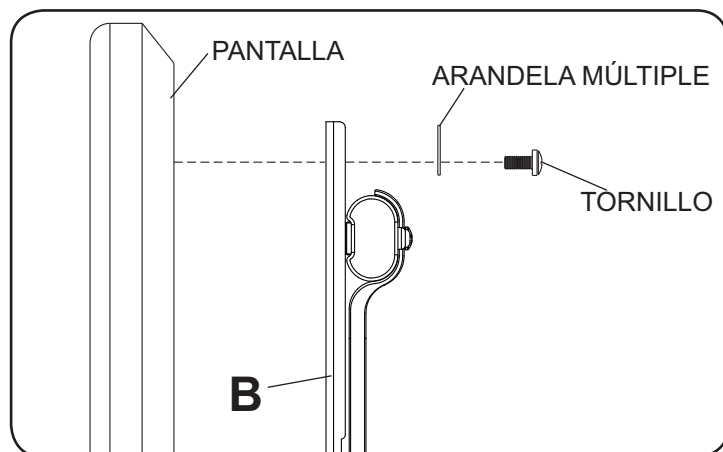
**NOTA:** Las dimensiones "X" deben ser iguales.  
Las dimensiones "Y" deben ser iguales.

## Instalación de un televisor que tiene la parte posterior plana

**2-3** Comience con uno de los tornillos más cortos, enrósquelo, con la mano, a través de la arandela múltiple y el soporte de la pantalla (**B**) a la parte posterior de la pantalla, como se muestra abajo. El tornillo tiene que dar, por lo menos, tres vueltas completas dentro del agujero de montaje y debe quedar ajustado en su lugar. No apriete los tornillos en exceso. Si el tornillo no puede dar tres vueltas completas al entrar en la parte posterior de la pantalla, seleccione un tornillo más largo de los sujetadores identificados y clasificados en las divisiones del empaque plástico. Siga el mismo procedimiento con los agujeros de montaje restantes, nivele los soportes de la pantalla y apriete los tornillos.

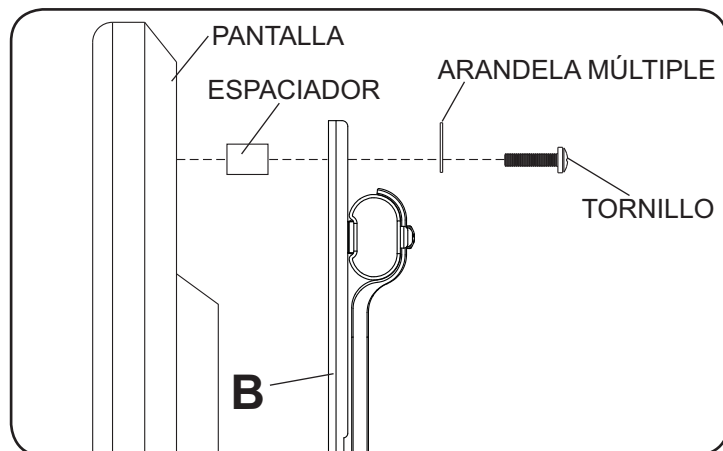
**NOTA:** Es posible que no necesite usar los espaciadores, dependiendo del tipo de pantalla.

Proceda al paso 2-5.

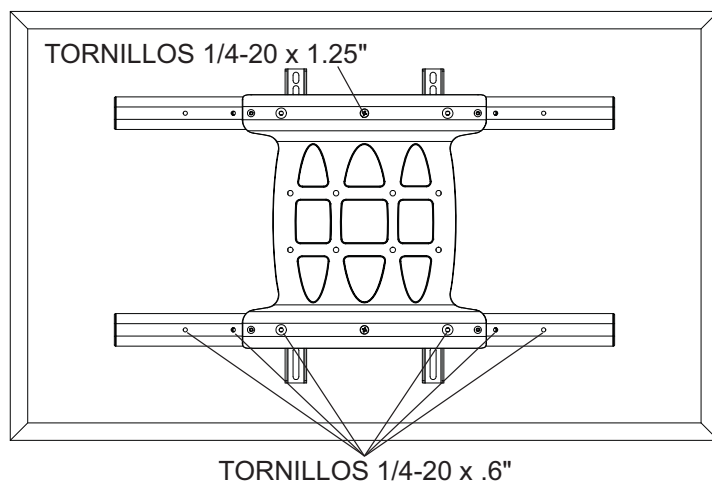


## Instalación de un televisor que tiene la parte posterior abultada o empotrada

**2-4** Comience con uno de los tornillos más largos, enrósquelo, con la mano, a través de la arandela múltiple, los soportes de la pantalla (**B**) y el espaciador, en ese orden, a la parte posterior de la pantalla, como se muestra abajo. El tornillo tiene que dar, por lo menos, tres vueltas completas dentro del agujero de montaje y debe quedar ajustado en su lugar. No apriete los tornillos en exceso. Si el tornillo no puede dar tres vueltas completas al entrar en la parte posterior de la pantalla, seleccione un tornillo más largo de los sujetadores identificados y clasificados en las divisiones del empaque plástico. Siga el mismo procedimiento con los agujeros de montaje restantes, nivele los soportes de la pantalla y apriete los tornillos.



**2-5** Centralice los soportes de la pantalla horizontal y verticalmente en la parte trasera de la pantalla. Apriete los dos tornillos de 1/4-20 x 1.25". Reinstale los cuatro tornillos de 1/4-20 x .6" utilizando una llave allen de 5 mm (**I**) en la posición fija de descanso apropiada de la tabla de la página 21.



## VESA 200 x 200 o VESA 200 x 100 Patrón de montaje

**3** Quite los cuatro tornillo autorroscante de 1/4-20 para retirar los soportes de la pantalla del soporte adaptador universal (B) utilizando una llave allen de 5 mm (I), como se muestra, como se muestra en la figura 3.1.

Reinstale los cuatro tornillo autorroscante de 1/4-20 para fijar los soportes de pantalla en el grupo interior de agujeros de montaje en el soporte adaptador universal (B), como se muestra en la figura 3.2.

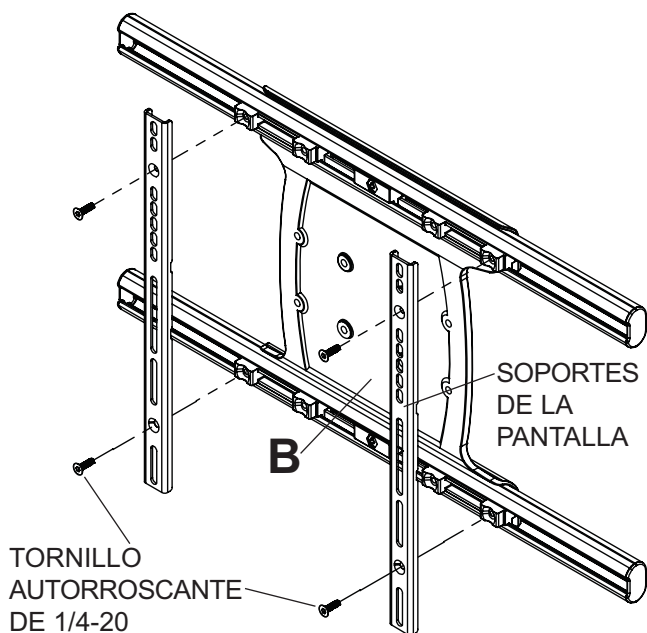


fig. 3.1

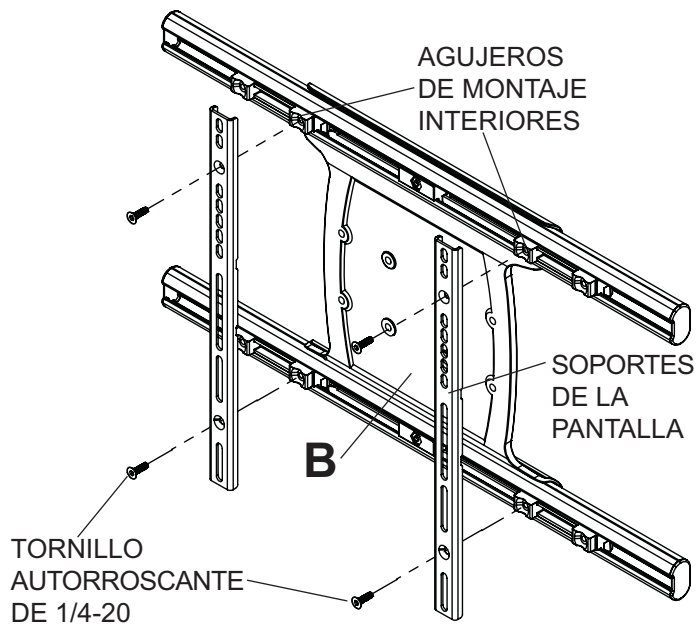
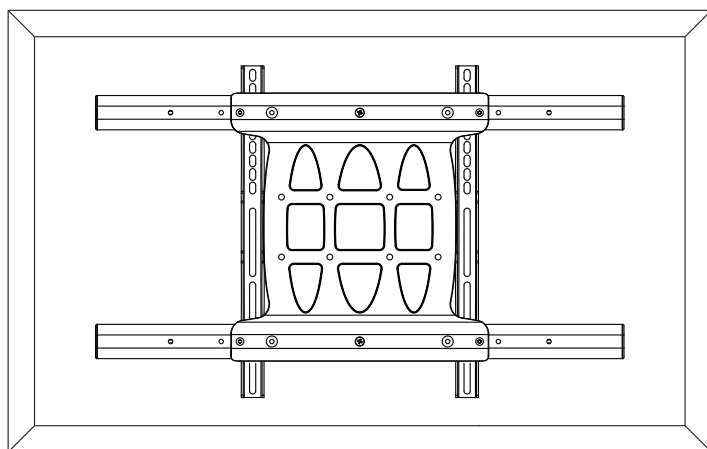


fig. 3.2

**3-1** Para evitar que se raye la pantalla, coloque un trapo sobre una superficie plana y nivelada que sostenga el peso de la pantalla. Coloque la pantalla boca abajo y coloque el soporte adaptador universal (B) en la pantalla.





## VESA 200 x 200 o VESA 200 x 100 Patrón de montaje (continuación)

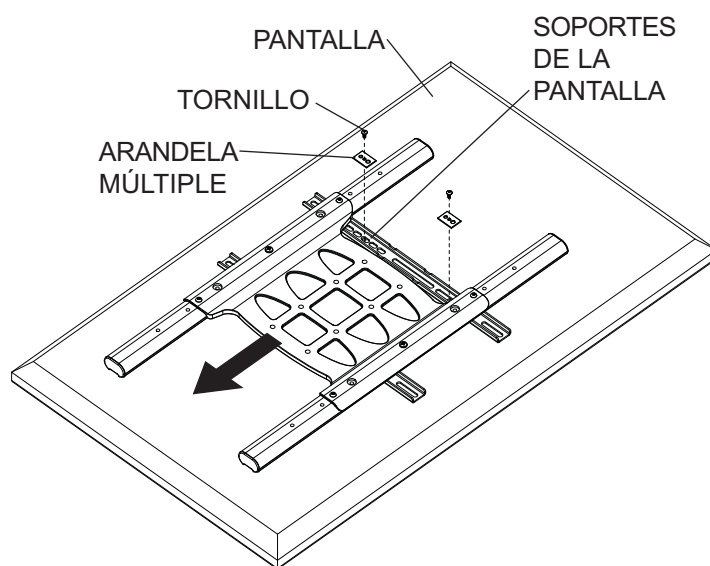
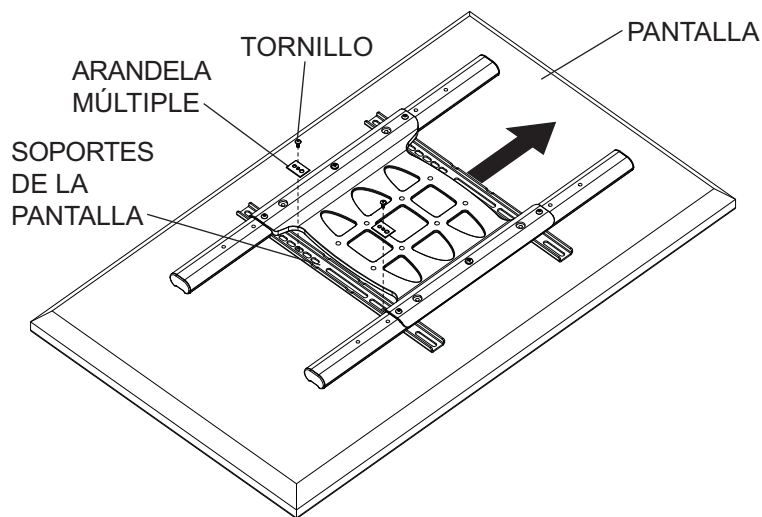
**3-2** Alinee uno de los soportes de la pantalla con uno de los grupos de agujeros de montaje de la pantalla.

Comience con el tornillo de longitud más corta, la mano de rosca a través de múltiples soportes de la pantalla y la arandela de la pantalla, como se muestra. El tornillo debe dar por lo menos tres vueltas completas dentro del agujero de montaje y debe quedar ajustado en su lugar. No apriete en exceso. Si el tornillo no puede dar tres vueltas completas en la pantalla, seleccione un tornillo más largo de la bolsa de tornillos ordenados. Centralice los soportes de la pantalla verticalmente y apriete los tornillos.

**NOTA:** Si la pantalla tiene la parte posterior abultada o empotrada, puede utilizar el espaciador. El espaciador va entre el soporte de la pantalla y la pantalla.

**3-3** Deslice el soporte adaptador universal hasta el lado opuesto y alinee el segundo soporte de la pantalla con el otro grupo de agujeros de montaje de la pantalla.

Enrosque los tornillos, con la mano, a través de la arandela múltiple, el soporte de la pantalla y el espaciador, si lo utilizó, en la pantalla, como se muestra. Apriete todos los tornillos.



**3-4** Centralice los soportes de la pantalla horizontalmente en la parte trasera de la pantalla, como se muestra en la figura 3.3.

Apriete los dos tornillos de 1/4-20 x 1.25". Reinstale los cuatro tornillos de 1/4-20 x .6" utilizando una llave allen de 5 mm (I) en la posición fija de descanso, como se muestra en la figura 3.4.

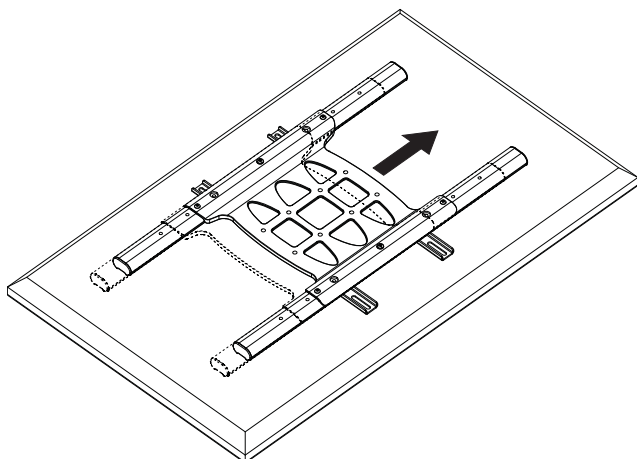


fig. 3.3

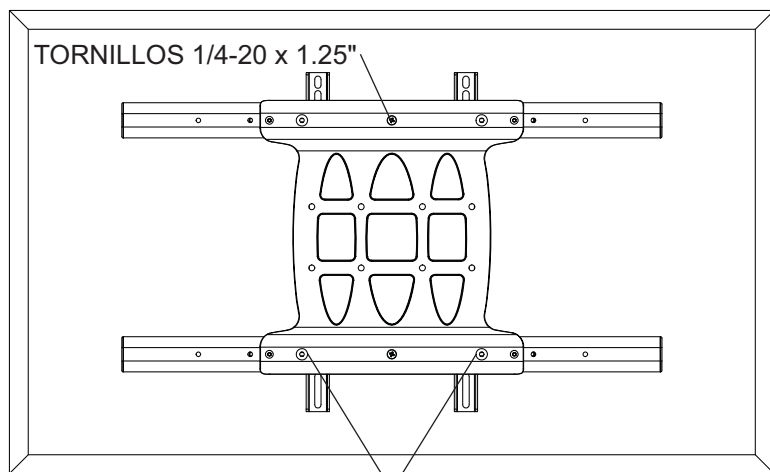


fig. 3.4 POSICIÓN FIJA DE DESCANSO N.O 1  
CON TORNILLOS DE 1/4-20 x .6"

## ⚠ ADVERTENCIA

- No levante más peso del que puede manejar. Cuenten con otra persona que lo ayude o utilice un equipo mecánico de izar para levantar y colocar la pantalla con seguridad.
- No apriete los tornillos con fuerza excesiva. Apretarlos en exceso puede dañar el soporte. Apriete los tornillos M10 x 15 mm (E) a un máximo de 40 pulg-lb (4.5 N•m) de par torsor.

### Instalación de la pantalla plana

- 4** **Instalación de la placa exclusiva PLP (no evaluados por UL):** Consulte la hoja de instrucciones del modelo PLP para saber cómo fijar la placa exclusiva PLP a la pantalla.

Instale dos tornillos de M10 x 15 mm en los dos agujeros superiores de la placa exclusiva PLP dejando aproximadamente 1/4" de la rosca expuesta, como se muestra en la figura 4.1.

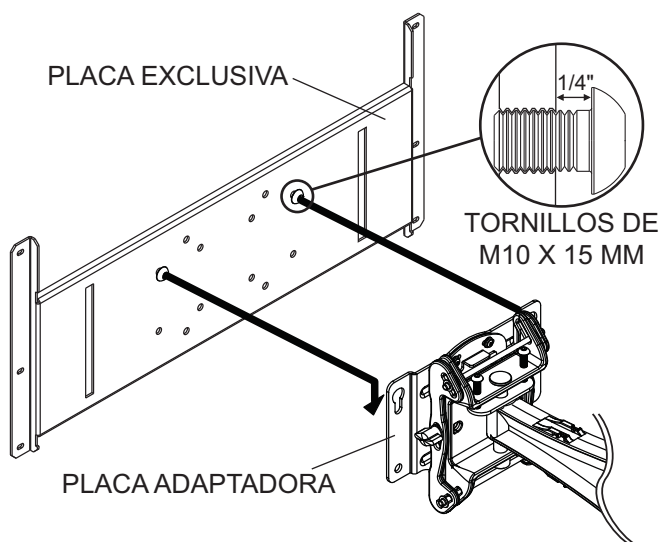


fig. 4.1

### Instalación del soporte adaptador universal:

Enganche los tornillos de M10 x 15 mm en las ranuras de la placa adaptadora (A), como se muestra en la figura 4.2.

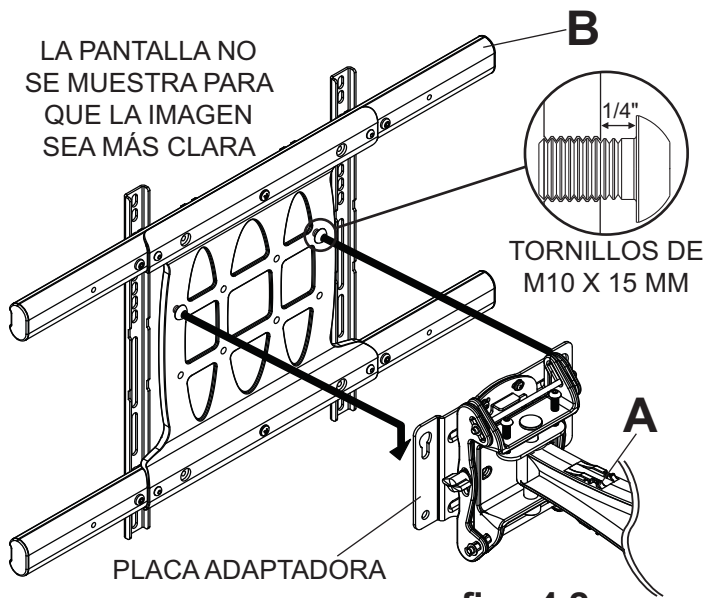


fig. 4.2

- 4-1** Inserte dos tornillos de M10 x 15 mm (E) en los agujeros inferiores de la placa adaptadora, como se muestra en la figura 4.3 y 4.4. Apriete todos los sujetadores usando una llave allen de 6 mm (H).

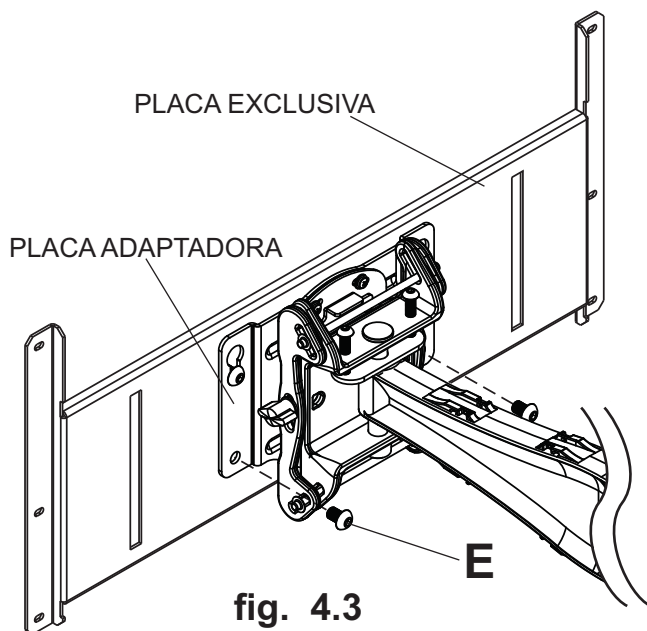


fig. 4.3

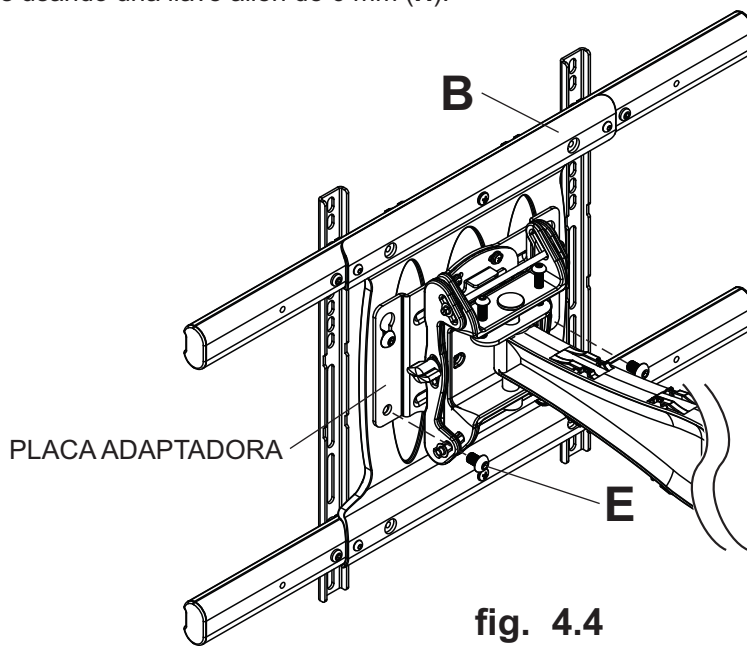
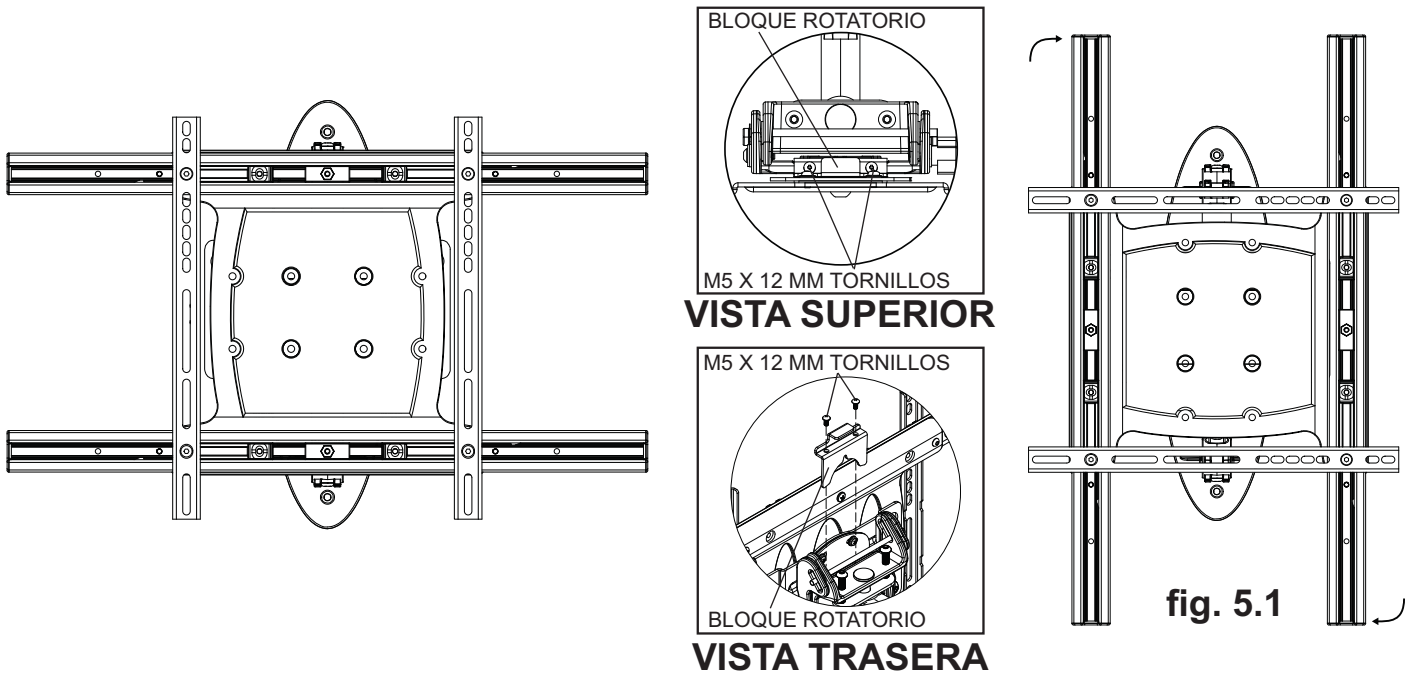


fig. 4.4

## ⚠ ADVERTENCIA

- Trabar la placa de pared montaje (A) con los tornillos M10 x 15 mm (E) antes de cambiar la orientación. Puede causar que la pantalla se desprenda de la unidad de soporte si le dan un golpe accidentalmente.

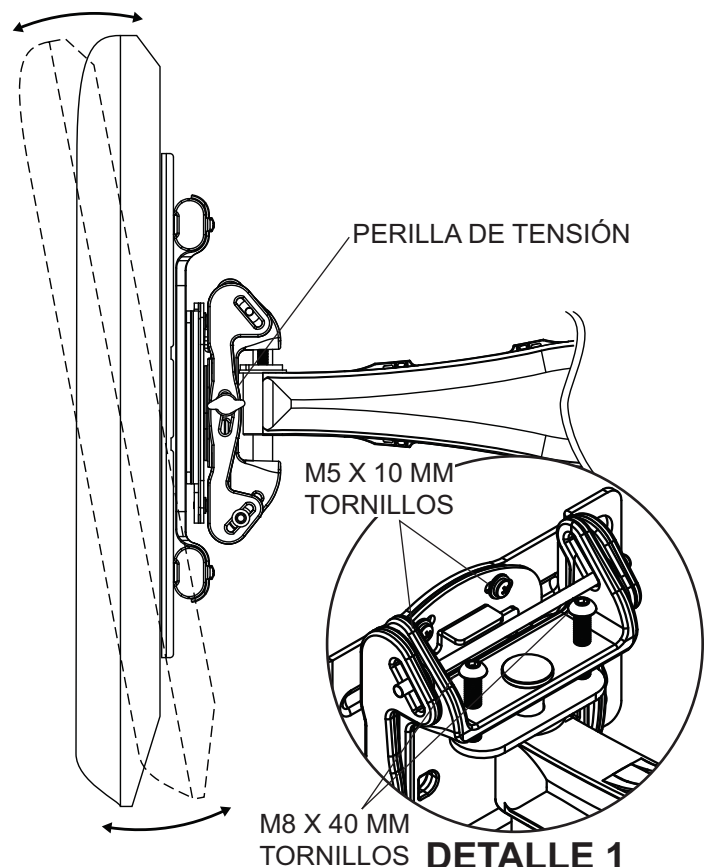
**5 PARA COLOCAR LA PANTALLA VERTICAL U HORIZONTALMENTE:** Quite los dos tornillos de M5 x 12 mm y el bloque rotatorio de la parte superior del cabezal inclinable, como se muestra en la vista superior y en la vista trasera. Sujete, suavemente, los lados de la pantalla y gire la pantalla hasta una posición vertical u horizontal, como se muestra en la figura 5.1, y reinstale el bloque rotatorio con los dos tornillos de M5 x 12 mm.



**6 Ajuste de la INCLINACIÓN:** Ajuste la perilla de tensión que se encuentra en el lado del soporte al grado de tensión deseado para poder ajustar la inclinación y balancear el tamaño y el peso de la pantalla. Mueva la parte superior o la parte inferior de la pantalla tirando de la misma o empujándola para ajustar la inclinación, como se muestra. La inclinación se puede ajustar hasta un máximo de 10° hacia delante o de 5° hacia atrás. Vuelva a apretar la perilla de tensión.

**Ajuste de la ROTACIÓN:** Rote la pantalla, 5° en el sentido de las manecillas del reloj o en el sentido contrario, nivele la pantalla y luego apriete los tornillos de M5 x 10 mm utilizando una llave allen de 5 mm (I), como se muestra en el detalle 1.

**AJUSTE VERTICAL DE LA ALTURA:** Apriete o afloje los dos tornillos de M8 x 40 mm el mismo número de veces hasta llegar a  $\pm 1"$  de ajuste vertical de la altura, como se muestra en el detalle 1.



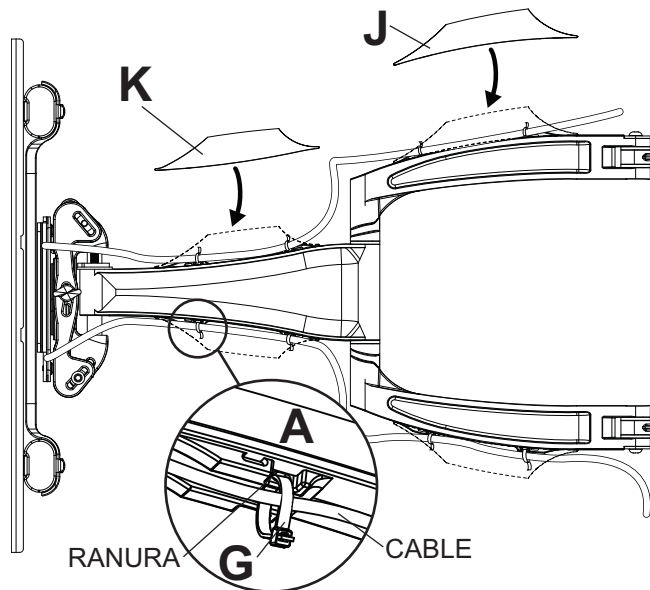
## PRECAUCIÓN

- No apriete los tornillos con fuerza excesiva.
- Tenga cuidado de no pincharse los dedos cuando extiende y recoja el soporte contra la pared.

## Manejo de cables

- 7** **NOTA:** Asegúrese de que los cordones no queden muy cortos para que el brazo se pueda mover completamente. Pase el cordón de la electricidad por la parte superior o la parte inferior del brazo (**A**) y el cable o los cables de la señal por el otro lado del brazo para evitar que haya interferencia con la señal. Asegure los cordones en su lugar colocando las cubiertas de los cables (**J y K**), a presión, sobre el soporte. Es posible que necesite mover la pantalla para tener acceso.

**OPCIONAL:** Si necesita acomodar más cables, acomode los sujetacables (**G**) por las ranuras del brazo (**A**), como se muestra en el detalle 2.

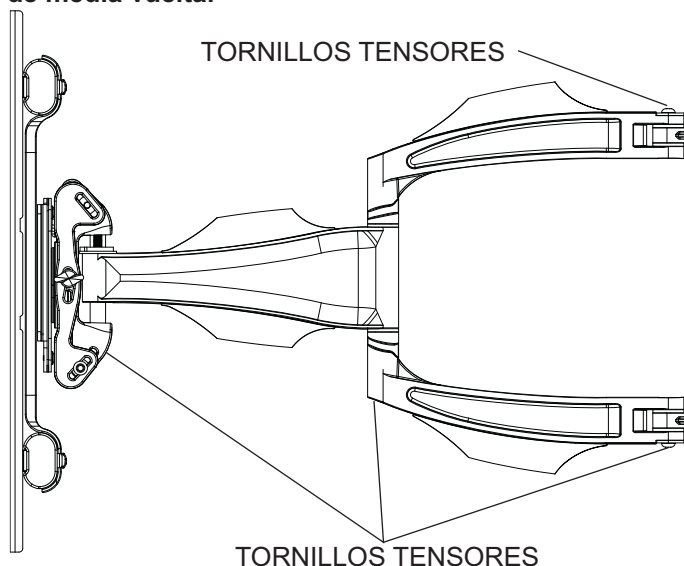


DETALLE 2

## ⚠ ADVERTENCIA

- No retire el tornillo ni lo afloje hasta que se haya desenganchado del soporte. Se podría caer la pantalla.
- Si los tornillos se aflojan con el tiempo, apriételes según sea necesario. Apriete los tornillos a un máximo de 50 pulg-lb (5.6 N•m) de par torsor.

- 8** Si desea aumentar o disminuir la tensión en los puntos de articulación del brazo, haga lo siguiente:
- Para aumentarla, gire el tornillo de cabeza hueca en sentido horario con la llave allen de 5 mm (**I**). **NOTA: Apriete los tornillos a un máximo de 50 pulg-lb (5.6 N•m) de par torsor.**
  - Para reducirla, gire el tornillo de cabeza hueca en sentido contrahorario con la llave allen de 5 mm (**I**). **NOTA: No lo gire más de media vuelta.**

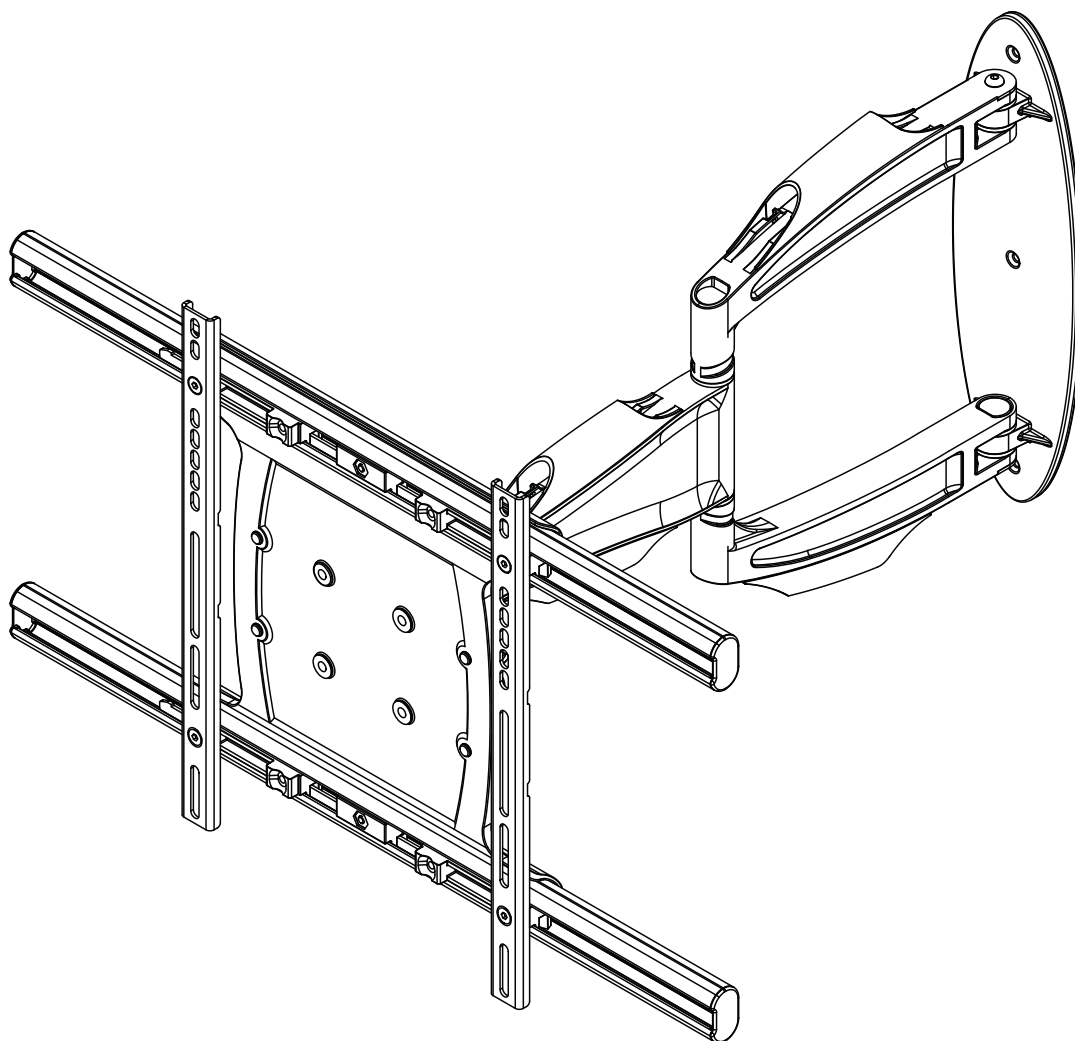




## Installation et montage :

### Montants muraux pour écrans plats articulés pour écrans de 32 à 52 pouces

Modèles: SA752PU



Capacité de charge UL maximale: 90 lb (41 kg)

**REMARQUE:** lisez entièrement la fiche d'instructions avant de commencer l'installation et l'assemblage.

## ⚠ AVERTISSEMENT

- Ne commencez pas à installer votre produit Peerless avant d'avoir lu et assimilé les instructions et les avertissements contenus dans cette fiche d'installation. Pour toute question concernant les instructions ou les avertissements, veuillez appeler le service à la clientèle de Peerless au 1-800-865-2112; tous les clients internationaux sont priés de contacter leur distributeur local.
- Ce produit doit être installé uniquement par quelqu'un possédant une bonne aptitude à la mécanique, une expérience de la construction immobilière et ayant bien compris ces instructions.
- Assurez-vous que la surface de support puisse soutenir sans danger la charge totale de l'équipement ainsi que des pièces et composants qui y sont attachés.
- Ne dépassez jamais la capacité de charge maximum établie par l'UL. Reportez-vous à la page 29.
- Lors d'une installation sur un mur à montants en bois, assurez-vous que les vis de montage sont ancrées au centre des montants. L'utilisation d'un localisateur de montants « bord à bord » est fortement recommandée.
- Pour lever et positionner l'équipement en toute sécurité, faites-vous toujours aider par une autre personne ou utilisez un dispositif de levage mécanique.
- Serrez fermement les vis, mais sans excès. Un serrage excessif peut endommager les composants et en réduire considérablement la capacité de support.
- Ce produit est conçu uniquement pour un usage intérieur. L'utilisation de ce produit à l'extérieur peut causer une défaillance du produit et des blessures corporelles.
- Ce produit a été conçu uniquement pour une installation sur les types de murs ci-dessous :

### TYPE DE MUR

### PIÈCES DE FIXATION REQUISES

- |                                   |  |
|-----------------------------------|--|
| • Montant en bois                 | Incluses   |
| • Poutre en bois                  | Incluses   |
| • Béton plein                     | Incluses   |
| • Bloc de béton de mâchefer       | Incluses   |
| • Montant métallique              | Ne pas installer sur ce type de mur sauf à l'aide de l'ensemble d'accessoires Peerless pour montants métalliques (non évalué UL) |
| • Brique                          | Contacteur un professionnel qualifié (non évalué UL)   |
| • Autre, ou vous n'êtes pas sûr ? | Contacteur un professionnel qualifié   |

## Outils nécessaires au montage

- localisateur de montants (un localisateur de montants « bord à bord » est recommandé)
- tournevis phillips
- foret de 5/32 po (4 mm) pour les murs à montants en bois
- foret de 5/16 po (8 mm) pour les murs à block de béton
- niveau

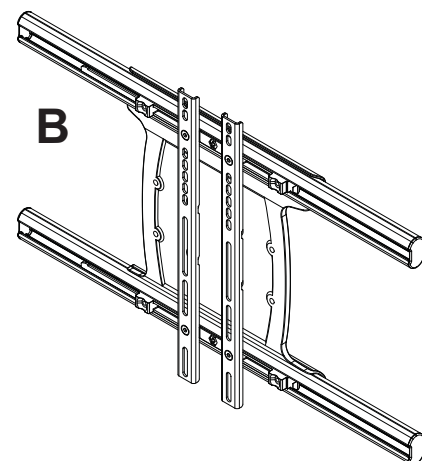
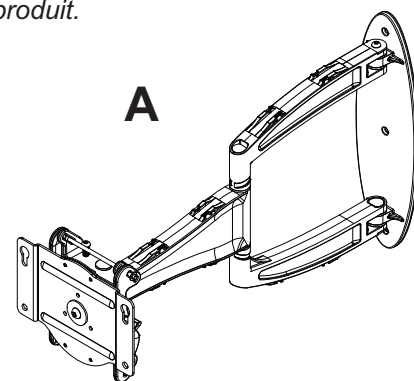
## Table des Matières

Liste des Pièces .....	31, 32
D'Installation au Mur .....	33, 34
D'Installation du Support Adaptateur Universel .....	35-39
Installation de l'écran plat .....	40
Gestion des câbles .....	42

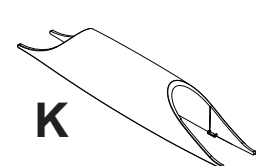
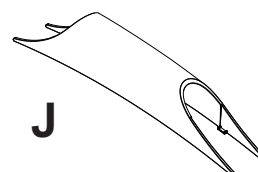
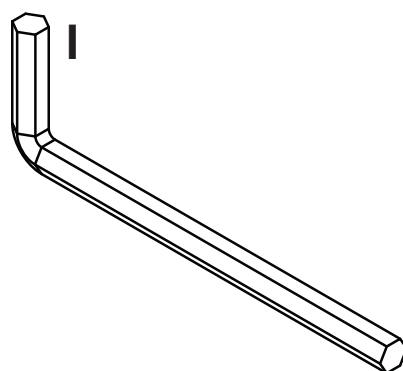
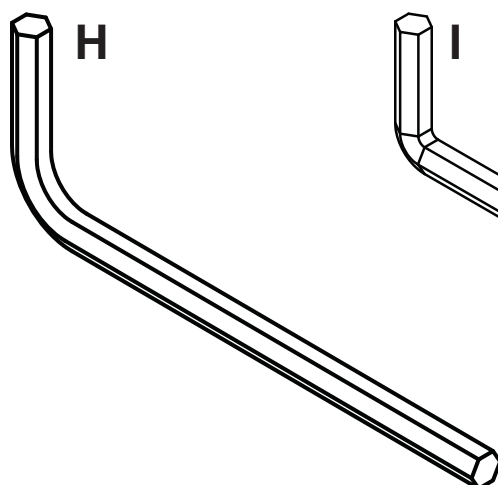
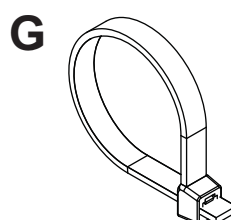
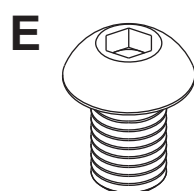
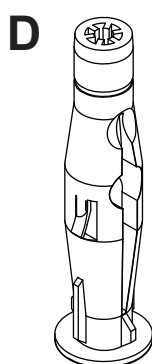
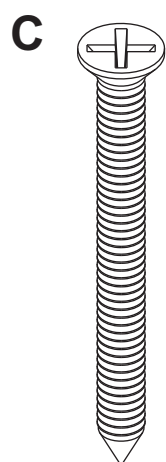
Avant de commencer, s'assurer que toutes les pièces indiquées sont incluses avec le produit.

## Liste des pièces

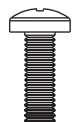
Description	Qté	SA752PU Pièce n°
A bras mural	1	095-P1642
B adaptateurs universels	1	095-P1635-2
C vis à bois	3	520-1202
D concreto d'ancrage	3	590-0320
E vis M10 x 15 mm	2	520-9262
F embouts de fixation	3	590-1324
G attaches de câble	8	590-1168
H hexagonale de 6 mm	1	560-9716
I hexagonale de 5 mm	1	560-9640
J Gaine de câble arrière	2	590-P1326
K Gaine de câble avant	2	590-P1327
L Tournevis à tête de #3 (non illustré)	1	560-0209



Les pièces semblent légèrement différentes de celles illustrées.



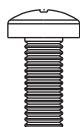
## Fixations du support adaptateur



M4 x 12 mm (6)  
(504-9013)



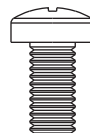
M4 x 25 mm (4)  
(504-1015)



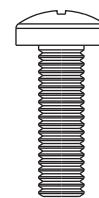
M5 x 12 mm (4)  
(520-1027)



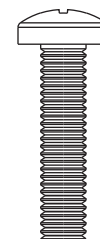
M5 x 25 mm (4)  
(520-9543)



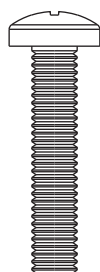
M6 x 12 mm (4)  
(520-1128)



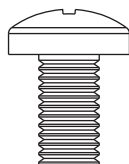
M6 x 20 mm (4)  
(520-9402)



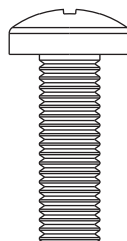
M6 x 25 mm (4)  
(520-1208)



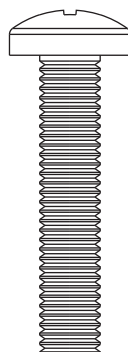
M6 x 30 mm (4)  
(510-9109)



M8 x 16 mm (6)  
(520-9257)



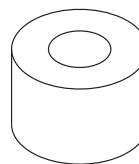
M8 x 25 mm (4)  
(520-1031)



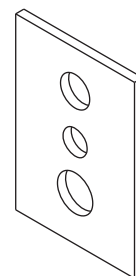
M8 x 40 mm (4)  
(520-1136)



I.D. .22" (4)  
(540-1057)



I.D. .34" (4)  
(540-1059)



rondelle universelle (6)  
(580-1036)



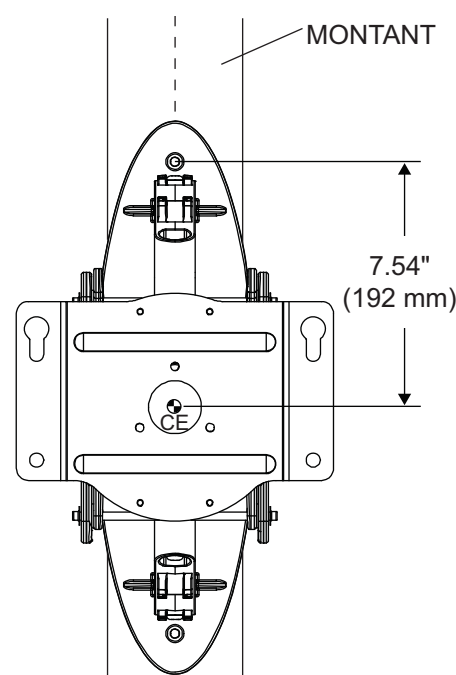
## Installation sur un mur à montant en bois

### ⚠ AVERTISSEMENT

- L'installateur doit s'assurer que la surface de support pourra soutenir sans danger la charge combinée de l'équipement, de toute sa visserie et de tous ses composants.
- Serrez les vis à bois de manière que la plaque murale soit fermement fixée, mais sans excès. Un serrage excessif peut endommager les vis et en réduire considérablement le pouvoir de maintien.
- Ne serrez jamais à plus de 9 Nm (80 po-lb).
- Assurez-vous que les vis de montage sont ancrées au centre des montants. L'usage d'un localisateur de montants « bord à bord » est fortement conseillé.
- La visserie est fournie pour fixer la monture à travers une cloison sèche ou du plâtre d'épaisseur standard et dans des montants en bois. Il appartient aux installateurs de fournir la visserie nécessaire pour d'autres types de situations (non évalué UL).

**1** À l'aide d'un localisateur de montants, repérez et marquez les bords du montant en bois. L'utilisation d'un localisateur de montants « bord à bord » est fortement recommandée. À l'aide d'un niveau, tracez une ligne verticale le long du centre du montant et utilisez la modèle de plaque murale (bras mural) comme gabarit pour marquer le centre des trous le long de la ligne verticale. Les trous de fixation supérieurs doivent être situés à 7,54 po (192 mm) au-dessus de l'endroit souhaité pour le centre de l'écran comme illustré à la figure 1.1. Percez trois trous de 5/32 po (4 mm) de dia. à une profondeur de 2,5 po (64 mm). Fixez le bras mural (A) au mur à l'aide de trois vis à bois (C) avec Phillips foret #3 (L), comme illustré à la figure 1.2. Mettez la plaque à niveau, puis serrez toutes les fixations.

Insérez trois embouts de fixation (F) dans les trous de fixation de la plaque murale.



CE = LE CENTRE DE L'ÉCRAN

fig. 1.1

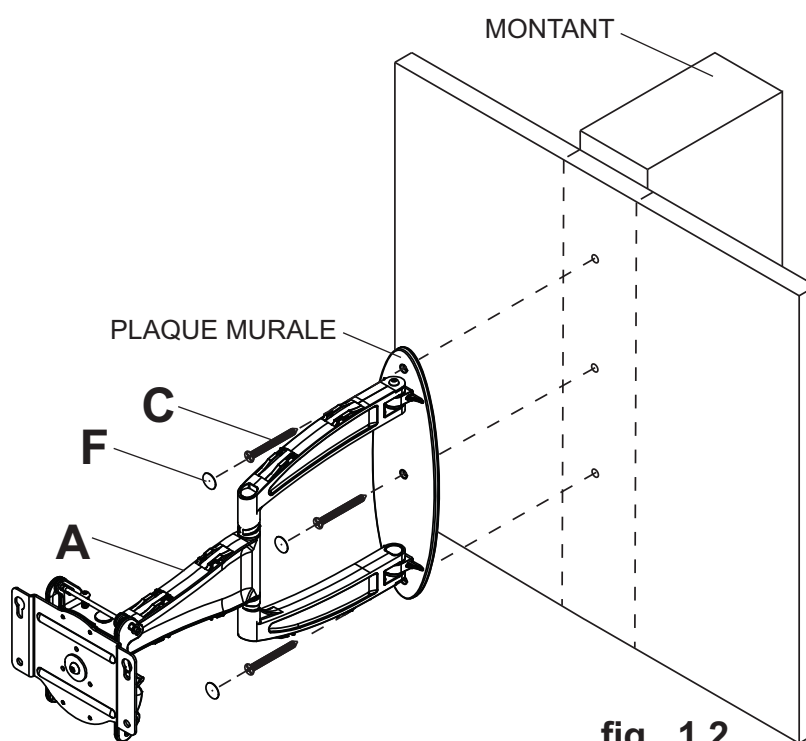


fig. 1.2

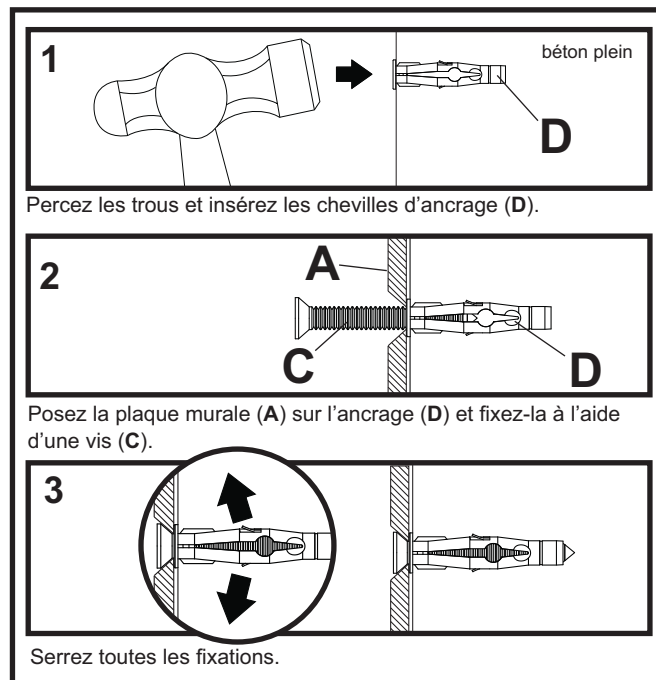
# Installation sur du béton plein ou un bloc de béton de mâchefer

## ⚠ AVERTISSEMENT

- Si vous installez des montures murales Peerless sur un bloc de béton de mâchefer, vérifiez que vous disposez d'une épaisseur de béton d'au moins 35 mm (1 3/8 po) dans le trou destiné aux ancrages de béton. Ne percez pas dans les joints de mortier ! Veillez à effectuer le montage dans une partie pleine du bloc, généralement à au moins 25 mm (1 po) du côté du bloc. Le bloc de béton de mâchefer doit être conforme aux spécifications de l'ASTM C-90. Pour percer le trou, il est conseillé d'utiliser une perceuse électrique standard sur un réglage bas au lieu d'un marteau perforateur, afin d'éviter de briser la partie arrière du trou lorsque vous pénétrez un vide ou une cavité.
- Le béton doit avoir une densité minimum de 2 000 psi. Un béton de densité moindre risquerait de ne pas retenir un ancrage de béton.
- Assurez-vous que la surface de support pourra soutenir sans danger la charge combinée de l'équipement, de toute sa visserie et de tous ses composants.

**1** utilisez la modèle de plaque murale (bras mural) comme gabarit pour marquer l'emplacement des trous de fixation. Le trou de montage supérieur doit être situé à 7,54 po (192 mm) au-dessus de l'endroit souhaité pour le centre de l'écran comme illustré à la figure 1.1 en page 33. Percez trois trous de 5/16 po (8 mm) de dia. à une profondeur de 2,5 po (64 mm) comme illustré à la figure 1.3. Insérez les chevilles d'ancrage (D) dans les trous au ras du mur comme illustré (à droite). Posez le bras mural sur les chevilles d'ancrage et attachez-le à l'aide de vis à bois (C) avec Phillips foret #3 (L). Assurez-vous qu'il est de niveau, puis serrez toutes les fixations.

Insérez trois embouts de fixation (F) dans les trous de fixation de la plaque murale.



## ⚠ AVERTISSEMENT

- Serrez les vis de manière que la plaque murale soit fermement fixée, mais sans excès. Un serrage excessif peut endommager les vis et en réduire considérablement le pouvoir de maintien.
- Ne serrez jamais à plus de 9 Nm (80 po-lb).
- Fixez toujours des ancrages de béton directement sur du béton porteur.
- Ne fixez jamais d'ancrages sur du béton recouvert de plâtre, une cloison sèche ou autre matériau de finition. Si vous ne pouvez pas éviter d'effectuer le montage sur du béton recouvert d'une surface de finition, celle-ci doit être chambrée (non évalué UL), comme indiqué cidessous. Assurez-vous que les ancrages de béton ne se séparent pas du béton lorsque vous serrez les vis. Si l'épaisseur du plâtre / de la cloison sèche dépasse 16 mm (5/8 po), des fixations adaptées devront être fournies par l'installateur (non évalué UL).

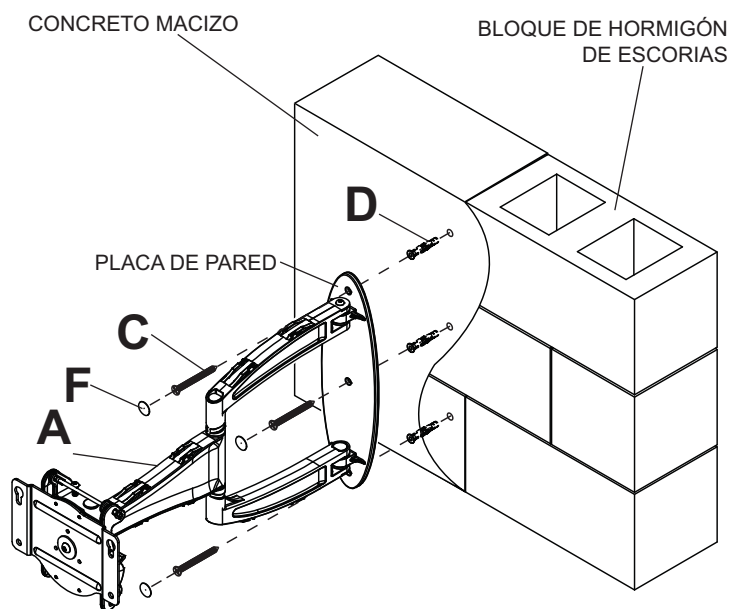
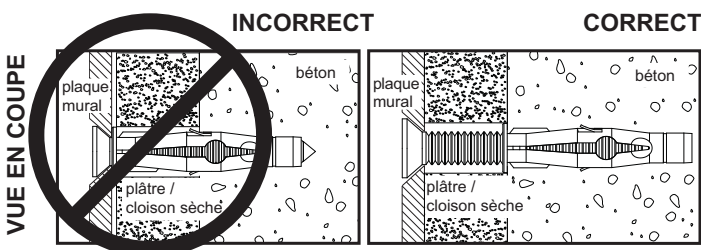


fig. 1.3

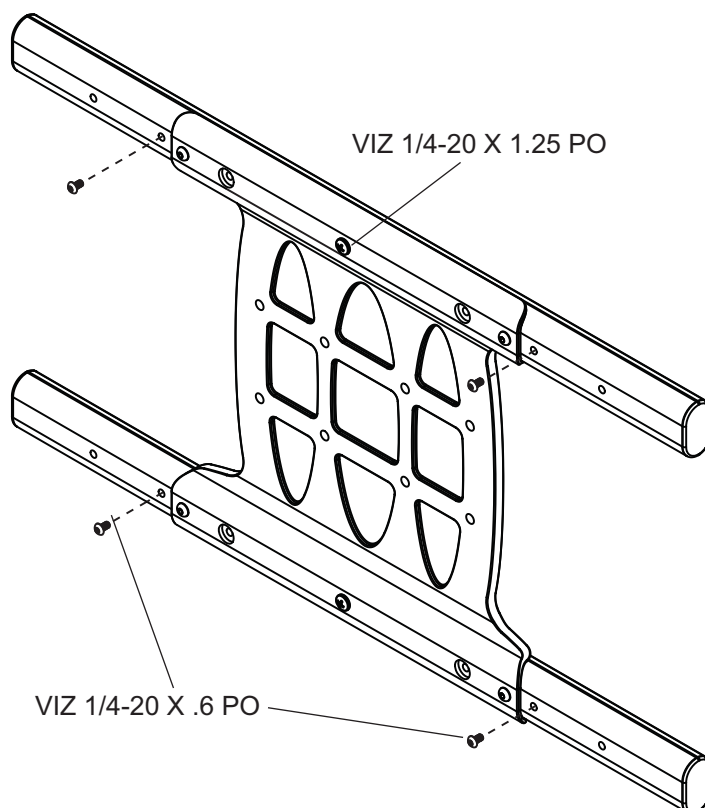
## Installation des Supports Adaptateurs à l'écran

**REMARQUE :** Si l'écran possède une configuration de trous de montage horizontaux VESA 400, passez à l'étape 2-3 ou 2-4 en page 37.

**REMARQUE :** Pour l'installation de la plaque dédiée PLP, passez à l'étape 4 en page 40.

2

Retirez quatre vis 1/4-20 x 0,6 po à l'aide d'une clé hexagonale de 5 mm (I) et desserrez deux vis 1/4-20 x 1,25 po d'un demi-tour pour permettre le réglage du support de l'écran.

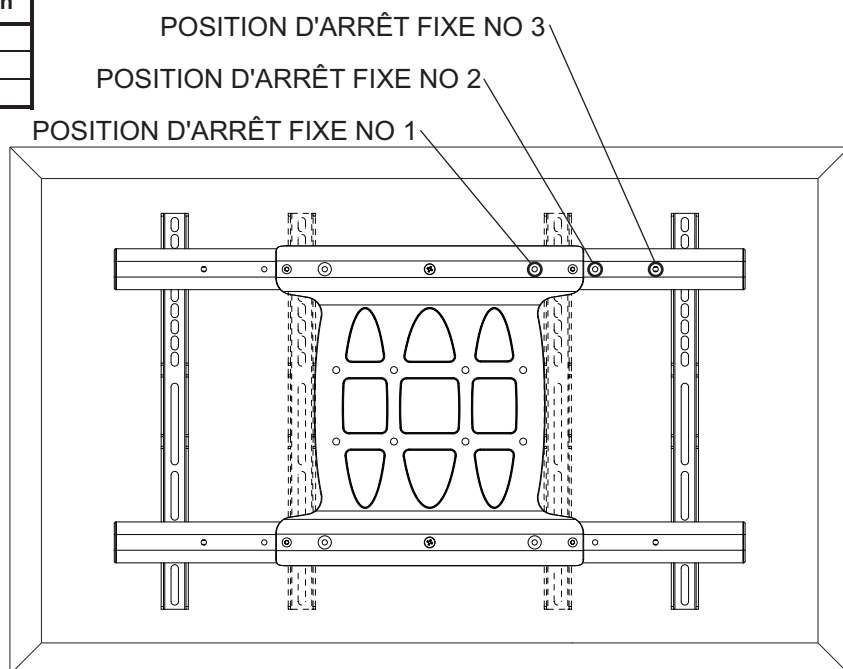


2-1

Afin d'éviter de rayer l'écran, posez un morceau de tissu sur une surface plane et de niveau qui peut supporter le poids de l'écran. Déposez l'écran à plat, tourné vers le bas. Consultez les instructions du fabricant de l'écran avant d'enlever tout bouton, base, couvercle ou vis situés à l'arrière de l'écran en préparation à l'installation des supports d'écran à l'écran. Réglez les supports de l'écran de manière à les aligner sur les trous de fixation comme illustré ci-dessous.

Mesurez la configuration des trous de montage horizontaux et choisissez une position d'arrêt fixe dans le tableau ci-dessous. **REMARQUE :** Si la configuration de trous de montage horizontaux à l'arrière de l'écran est de type VESA 200, passez à l'étape 3 en page 38.

horizontal mounting hole pattern	fixed stop-position
10-3/4" - 16-1/16" (273 - 408 mm)	#1
15-1/16" - 21-9/16" (383 - 548 mm)	#2
20-7/16" - 27-9/16" (519 - 700 mm)	#3



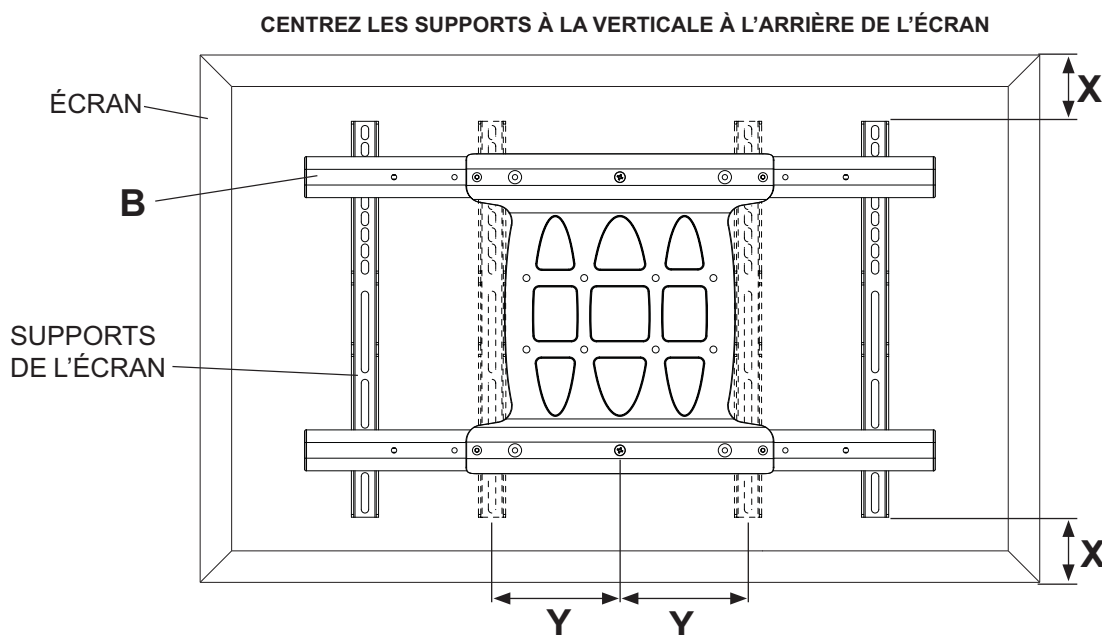
## Installation des Supports Adaptateurs à l'écran

### ⚠ AVERTISSEMENT

- N'employez pas une force excessive pour serrer les vis. Un serrage excessif peut endommager le support. Serrez les vis à un couple maximum de 4,5 Nm (40 po-lb).
- Si les vis ne sont pas enfoncées de trois tours complets dans les inserts ou si elles sont serrées au maximum sans parvenir à fixer solidement la plaque adaptatrice, l'écran peut être abîmé ou le produit détérioré.

**2-2** Choisissez des vis petites, moyennes, grosses ou extra grosses dans le jeu de fixation à compartiments, puis fixez les supports de l'écran à l'écran en suivant les étapes 2-3 ou 2-4 en page 37.

**REMARQUE :** On doit toujours utiliser les trous de fixation supérieurs et inférieurs pour fixer les supports de l'écran. Les trous du milieu devraient également être utilisés lorsque les fixations et l'écran le permettent. Veillez à ce que tous les trous soient bien alignés, puis serrez les vis à l'aide d'un tournevis Phillips.



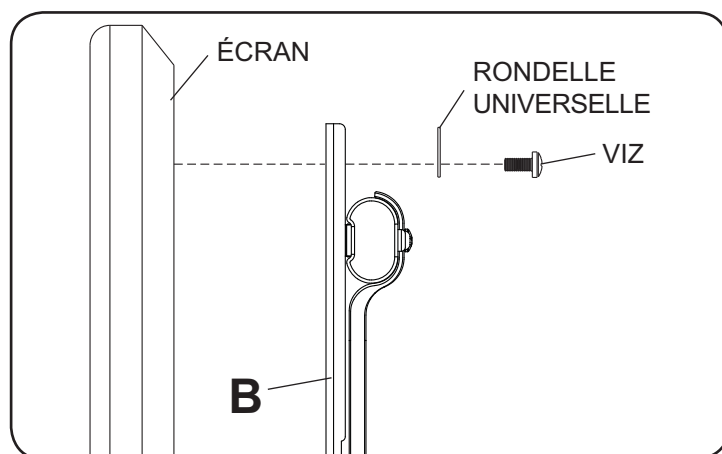
**REMARQUE :** Les dimensions « X » doivent être égales.  
Les dimensions « Y » doivent être égales.

## Pour les écrans à dos plat

**2-3** Commencez par la vis la plus courte et vissez-la manuellement à l'écran en la faisant passer à travers la rondelle tout-usage et les supports de l'écran (**B**), comme indiqué ci-dessous. La vis doit effectuer au moins trois tours complets dans le trou de fixation et tenir solidement en place. Ne pas trop serrer. S'il est impossible d'effectuer trois tours de vis complets, choisissez une vis plus longue dans le jeu de fixations à compartiments. Répétez pour le reste des trous de fixation, mettez les supports de l'écran à niveau et resserrez les vis.

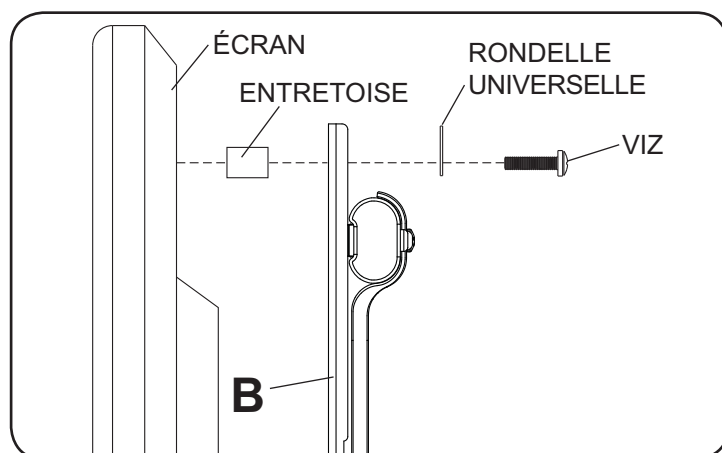
**REMARQUE** : Il n'est pas toujours nécessaire d'utiliser des entretoises, selon le type d'écran.

Passez à l'étape 2-5.

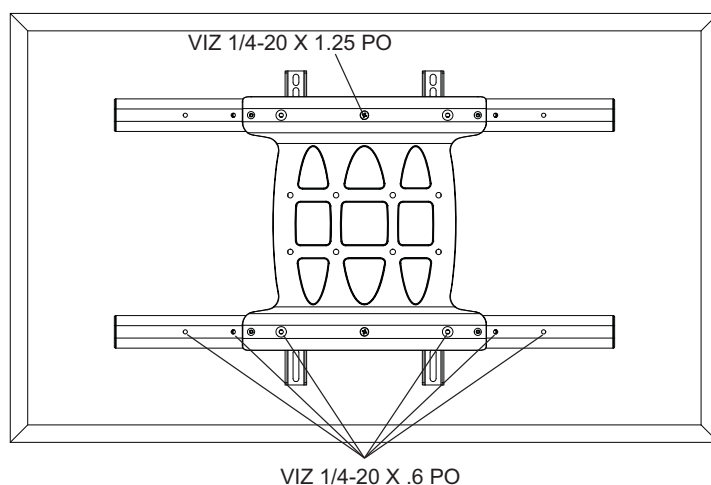


## Pour les écrans à dos convexe ou concave

**2-4** Commencez par la vis la plus longue et vissez-la manuellement à l'écran en la faisant passer à travers la rondelle tout-usage, les supports de l'écran (**B**) et l'entretoise comme indiqué ci-dessous. La vis doit effectuer au moins trois tours complets dans le trou de fixation et tenir solidement en place. Ne pas trop serrer. S'il est impossible d'effectuer trois tours de vis complets, choisissez une vis plus longue dans le jeu de fixations à compartiments. Répétez pour le reste des trous de fixation, mettez les supports de l'écran à niveau et resserrez les vis.



**2-5** Centrez les supports d'écran à l'horizontale et à la verticale à l'arrière de l'écran. Serrez deux vis de 1/4-20 X 1,25 po. Réinstallez quatre vis 1/4-20 x 0,6 po à l'aide d'une clé hexagonale de 5 mm (**I**) dans la position d'arrêt appropriée comme illustré dans le tableau de la page 35.



## VESA 200 x 200 ou VESA 200 x 100 Modèle de montage

**3** À l'aide d'une clé hexagonale de 5 mm (I), retirez les quatre vis autotaraudeuse 1/4-20 pour détacher les supports d'écran du support adaptateur universel (B) comme illustré à la figure 3.1.

Réinstallez les quatre vis autotaraudeuse 1/4-20 pour fixer les supports d'écran aux trous de fixation intérieurs du support adaptateur universel (B) comme illustré à la figure 3.2.

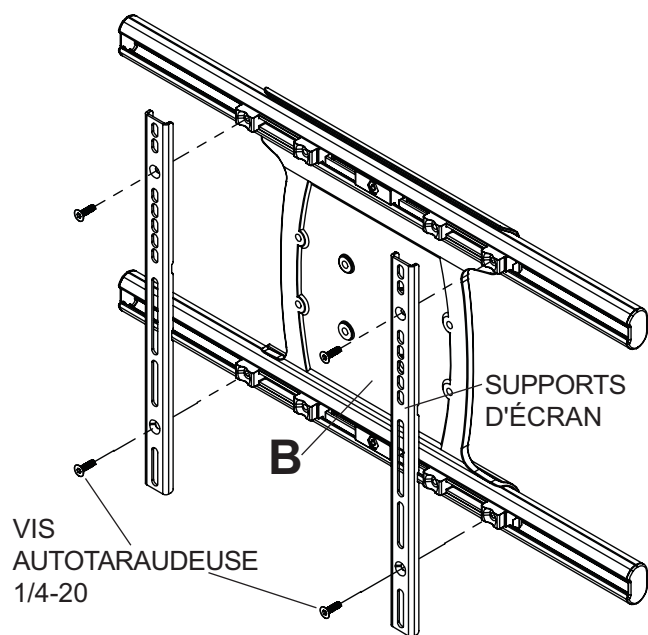


fig. 3.1

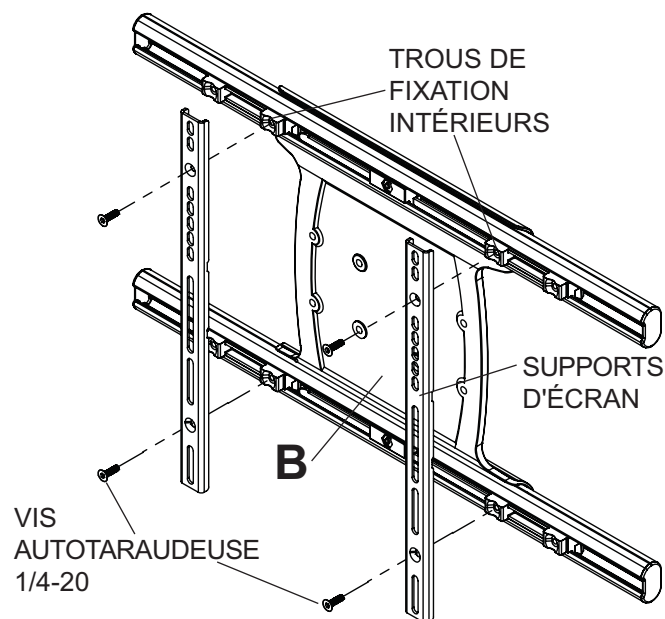
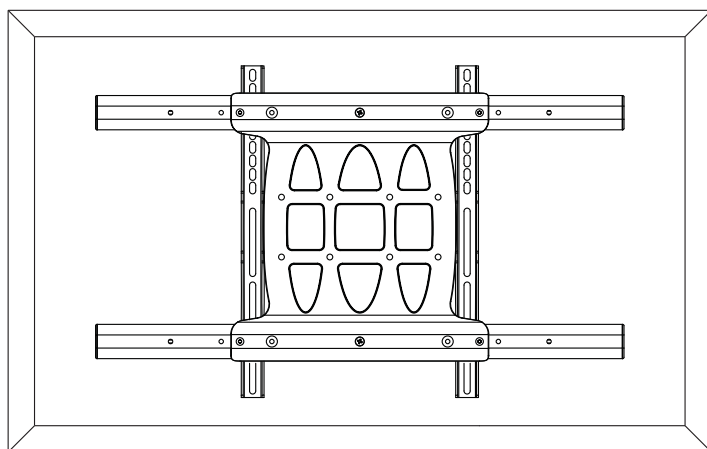


fig. 3.2

**3-1** Afin d'éviter de rayer l'écran, posez un morceau de tissu sur une surface plane et de niveau qui peut supporter le poids de l'écran. Déposez l'écran à plat, tourné vers le bas et assemblez le support adaptateur universel (B) sur l'écran.

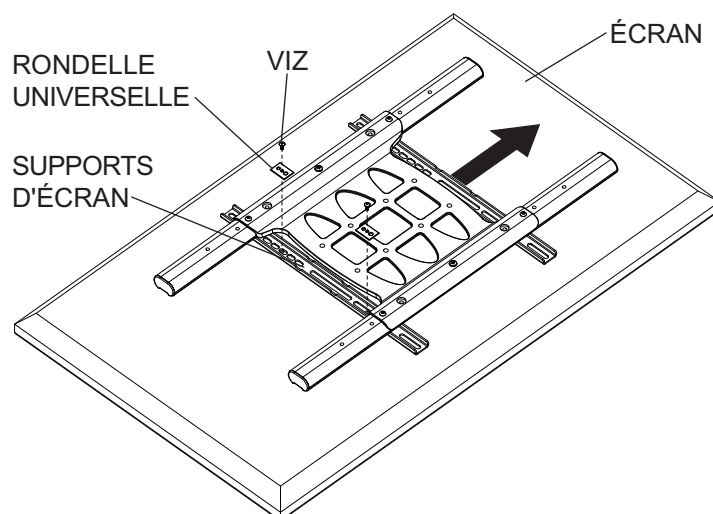


## VESA 200 x 200 ou VESA 200 x 100 Modèle de montage (suite)

**3-2** Alignez un support d'écran avec un ensemble de trous de fixation de l'écran.

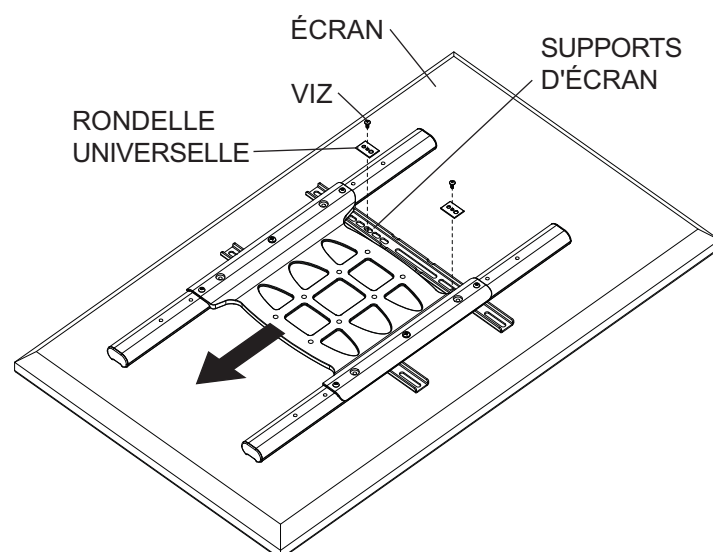
Commencez par la vis la plus courte et vissez-la manuellement à l'écran en la faisant passer à travers la rondelle tout-usage et les supports de l'écran (**B**), comme indiqué ci-dessous. La vis doit effectuer au moins trois tours complets dans le trou de fixation et tenir solidement en place. Ne pas trop serrer. S'il est impossible d'effectuer trois tours de vis complets, choisissez une vis plus longue dans le jeu de fixations à compartiments. Centrez les supports d'écran à la verticale et serrez les vis.

**REMARQUE :** Pour les écrans à dos convexes ou concaves, des entretoises peuvent être utilisées. L'entretoise doit être placée entre le support d'écran et l'écran.



**3-3** Faites glisser le support adaptateur universel du côté opposé et alignez le deuxième support d'écran sur le deuxième ensemble de trous de fixation de l'écran.

Serrez les vis manuellement à l'écran, en les faisant passer à travers la rondelle tout-usage, le support d'écran et, s'il y a lieu, l'entretoise, comme indiqué ci-dessous. Serrez toutes les vis.



**3-4** Centrez les supports d'écran horizontalement à l'arrière de l'écran comme illustré à la figure 3.3. Serrez deux vis de 1/4-20 X 1,25 po. Réinstallez quatre vis 1/4-20 x 0,6 po à l'aide d'une clé hexagonale de 5 mm (I) dans la position d'arrêt appropriée comme illustré à la figure 3.4.

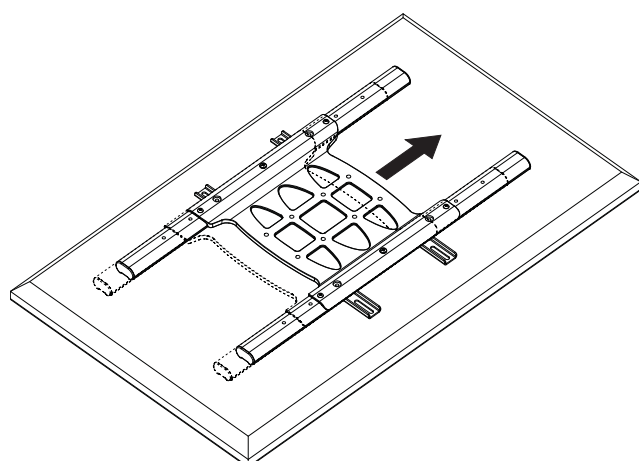


fig. 3.3

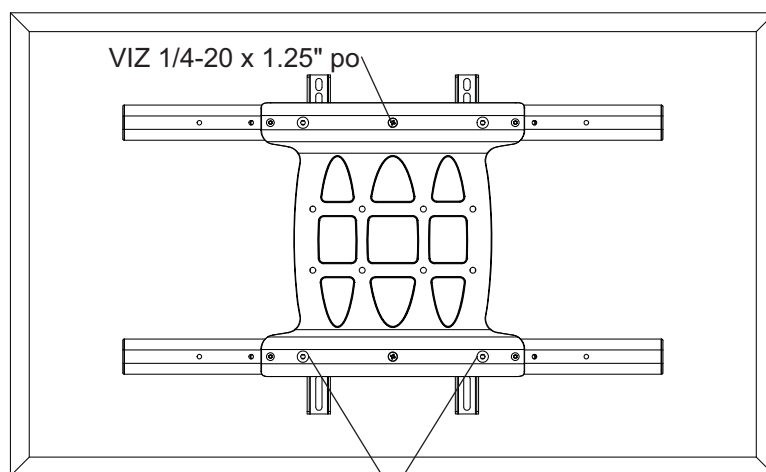


fig. 3.4

POSITION D'ARRÊT No 1 AVEC  
VIS 1/4-20 X 0,6 PO

## ⚠ AVERTISSEMENT

- Ne soulevez pas plus que votre capacité. Faites-vous aider par une autre personne ou utilisez un système de levage mécanique pour effectuer une installation de l'écran en toute sécurité.
- Ne serrez pas les vis de façon excessive. Un serrage excessif peut endommager le montant. Serrez les vis M10 x 15 mm (E) à un couple maximal de 40 po-lb (4,5 N.m).

### Installation de l'écran plat

- 4** **PLAQUE PLP DÉDIÉE (non évalué UL) :** *Veillez vous reporter à la feuille d'instructions sur le modèle PLP pour la fixation de la plaque PLP dédiée à l'écran.*

Insérez deux vis M10 x 15 mm (fournies avec la plaque PLP dédiée) dans les deux trous supérieurs de la plaque PLP dédiée, en laissant environ 1/4 po de filetage exposé, comme illustré à la figure 4.1.

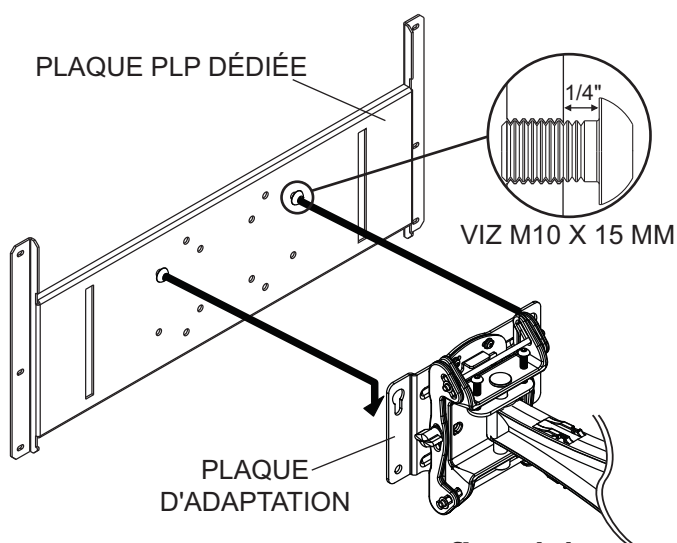


fig. 4.1

### SUPPORTS ADAPTATEURS UNIVERSELS :

Accrochez les vis M10 x 15 mm sur les trous en forme de serrure de la plaque d'adaptation (A) comme illustré à la figure 4.2.

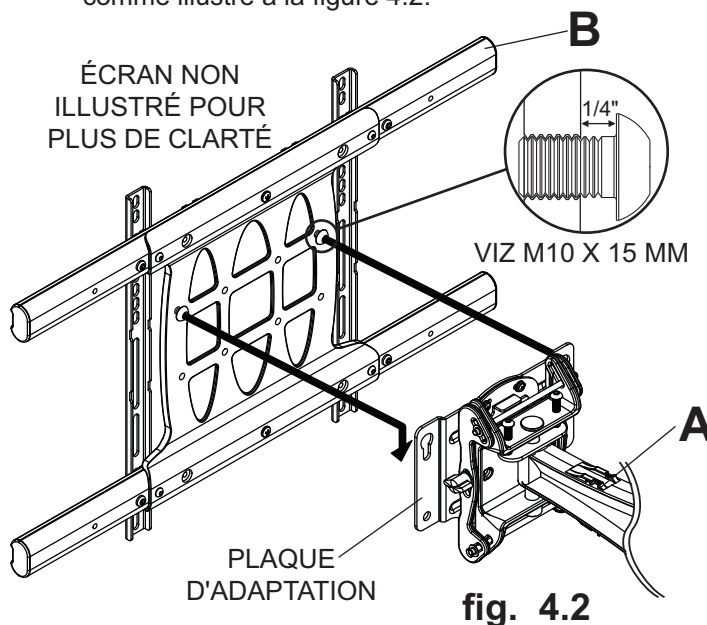


fig. 4.2

- 4-1** Insérez deux vis M10 x 15 mm (E) dans les trous inférieurs de la plaque d'adaptation. Serrez toutes les fixations à l'aide d'une clé hexagonale de 6 mm (H), comme illustré à la figure 4.3 et 4.4.

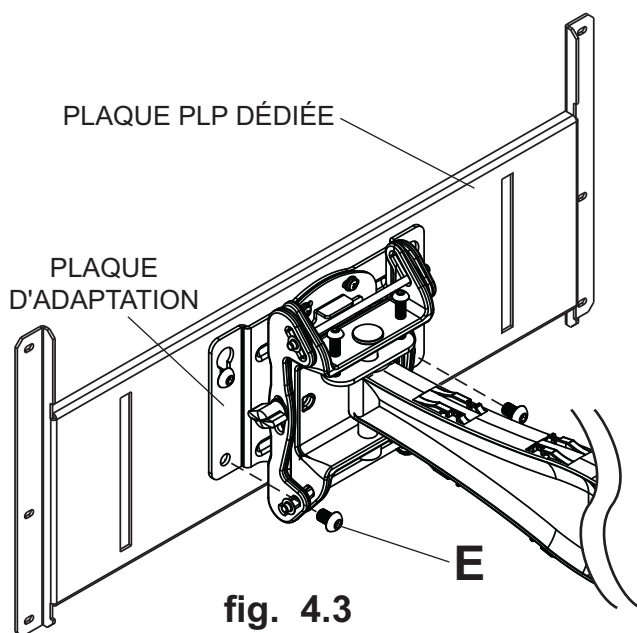


fig. 4.3

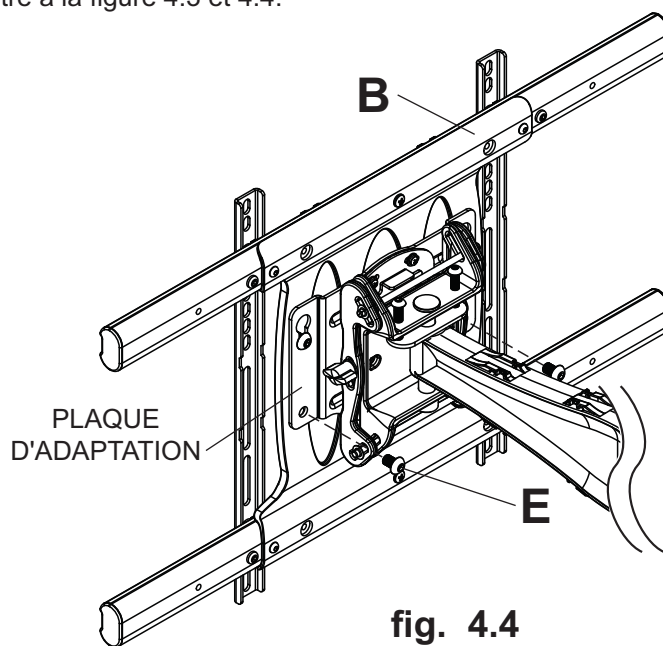


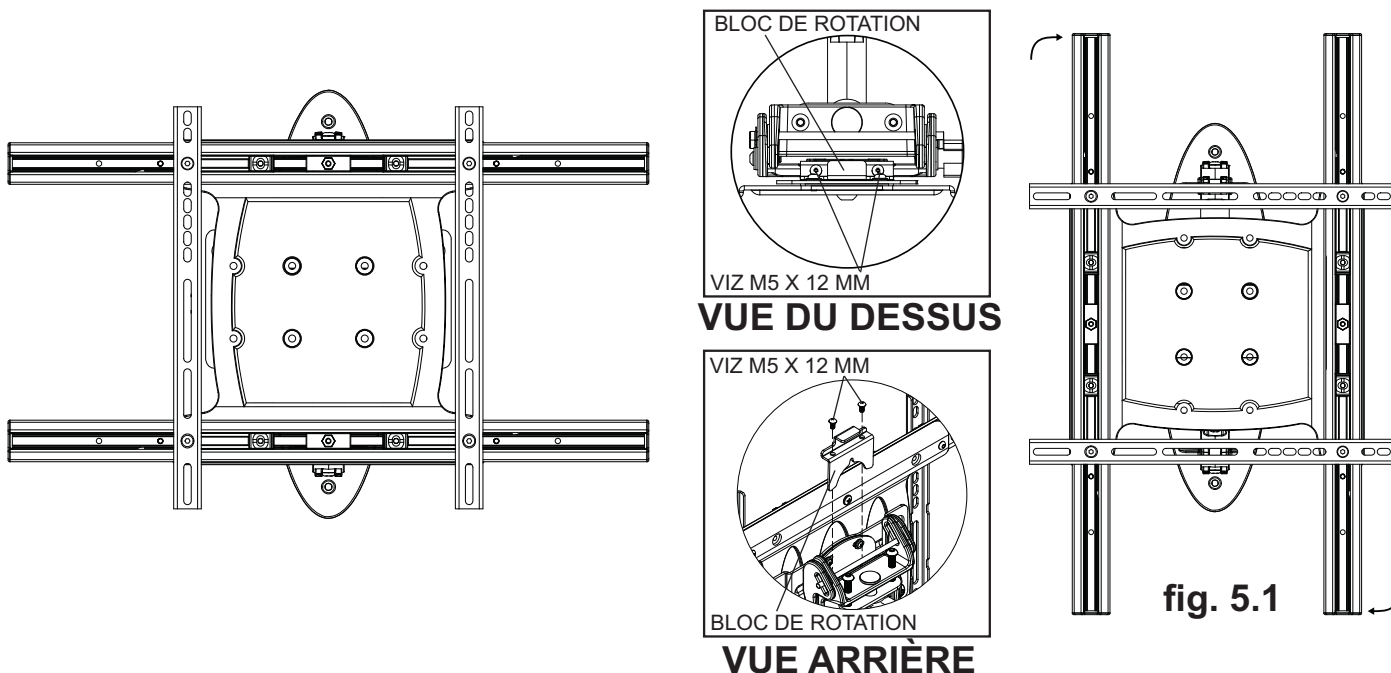
fig. 4.4



## ⚠ AVERTISSEMENT

- Si le plaque murale (A) n'est pas verrouillée avec deux vis M10 x 15 mm (E) avant que l'orientation est changée, l'écran peut se détacher du montant s'il est heurté accidentellement.

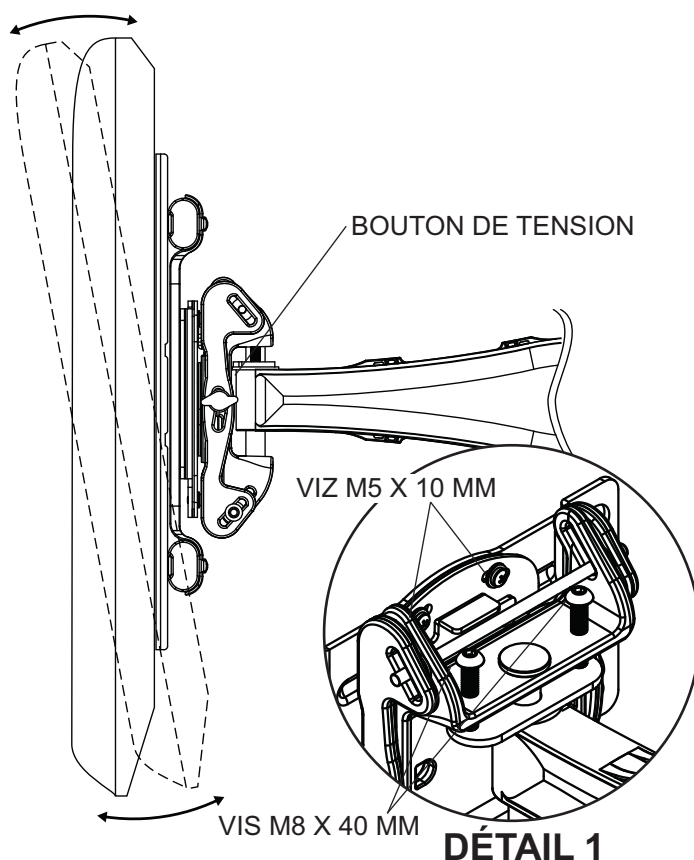
- 5** **ORIENTATION DE L'ÉCRAN SELON UN FORMAT VERTICAL OU HORIZONTAL :** Retirez les deux vis M5 x 12 mm et le bloc de rotation de la partie supérieure de la tête basculante à l'aide d'une clé hexagonale de 5 mm (I) comme illustré dans la vue du dessus et la vue arrière. Tenez délicatement les côtés de l'écran et faites-le pivoter en position verticale ou horizontale comme illustré à la figure 5.1 et réinstallez le bloc de rotation à l'aide de deux vis M5 x 12 mm.



- 6** **Réglage de l'inclinaison :** Réglez les boutons de serrage situés sur le côté du support à la tension souhaitée pour permettre le réglage l'inclinaison et équilibrer la taille et le poids de l'écran. Poussez ou tirez depuis le haut ou le bas de l'écran pour régler l'inclinaison comme illustré. L'inclinaison peut être réglée à un maximum de 10° vers l'avant ou 5° vers l'arrière. Resserrez le bouton de serrage.

**Réglage du PIVOTEMENT LATÉRAL :** Faites pivoter l'écran de 5° dans le sens horaire ou antihoraire, mettez l'écran de niveau, puis serrez les vis M5 x 10 mm à l'aide d'une clé hexagonale de 5 mm (I) comme illustré dans le dessin de détail 1.

**RÉGLAGE DE LA HAUTEUR :** Serrez ou desserrez deux vis M8 x 40 mm du même nombre de tours de manière à obtenir un réglage de la hauteur de  $\pm 1$  po comme illustré dans le dessin de détail 1.



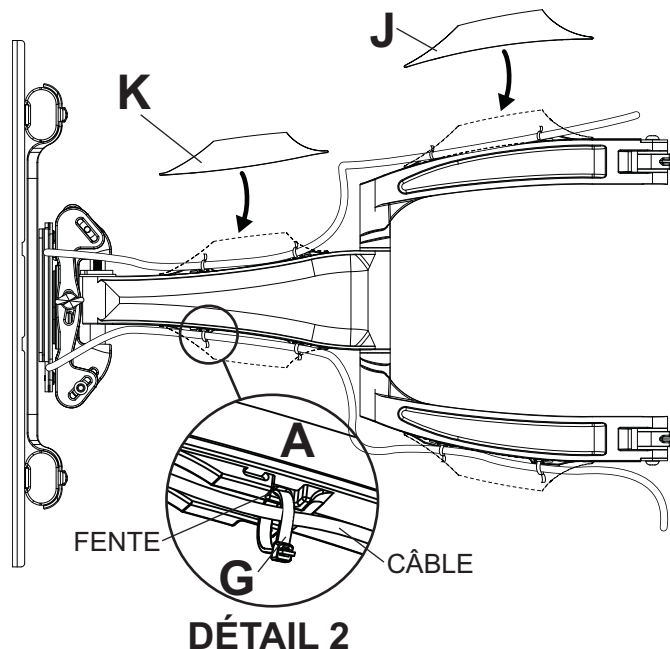
## PRUDENCE

- Ne serrez pas les vis de façon excessive.
- Veillez à ne pas vous pincer les doigts lors de l'ouverture et de la fermeture du montant sur le mur.

## Gestion des câbles

- 7** **Remarque :** Veillez à ce que les câbles aient assez de jeu pour permettre au bras de bouger librement. Acheminez le câble d'alimentation dans le haut ou le bas du bras (**A**) et le(s) câble(s) d'interconnexion dans l'autre côté du bras afin d'éviter de brouiller le signal. Faites tenir les câbles en place en pressant les cache-câbles (**J** et **K**) sur le support. Il se peut que vous deviez déplacer l'écran pour faciliter l'accès.

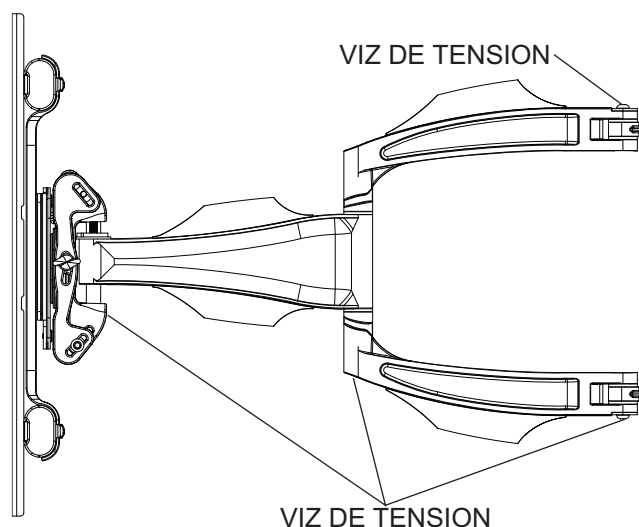
**Facultatif :** Si une gestion des câbles additionnelle est nécessaire, acheminez les attaches de câble (**G**) dans les fentes du bras (**A**) comme illustré dans le dessin de détail 2.



## ⚠ AVERTISSEMENT

- Ne pas retirer ni desserrer la vis avant qu'elle ne soit complètement dégagée du support. Cela risquerait de faire tomber l'écran.
- Si les vis se desserrent au fil du temps, resserrez-les au besoin. Serrez les vis à un couple maximal de 50 po-lb (5,6 Nm).

- 8** Procédez comme suit pour augmenter ou diminuer la tension des points de pivotement du bras :
- Pour augmenter la tension, tournez la ou les vis de tension dans le sens horaire avec la clé hexagonale de 5 mm (I). **REMARQUE : Serrez les vis à un couple maximum de 5,6 Nm (50 po-lb).**
  - Pour diminuer la tension, tournez la ou les vis de tension dans le sens antihoraire avec la clé hexagonale de 5 mm (I). **REMARQUE : Ne tournez pas de plus d'un demi-tour.**

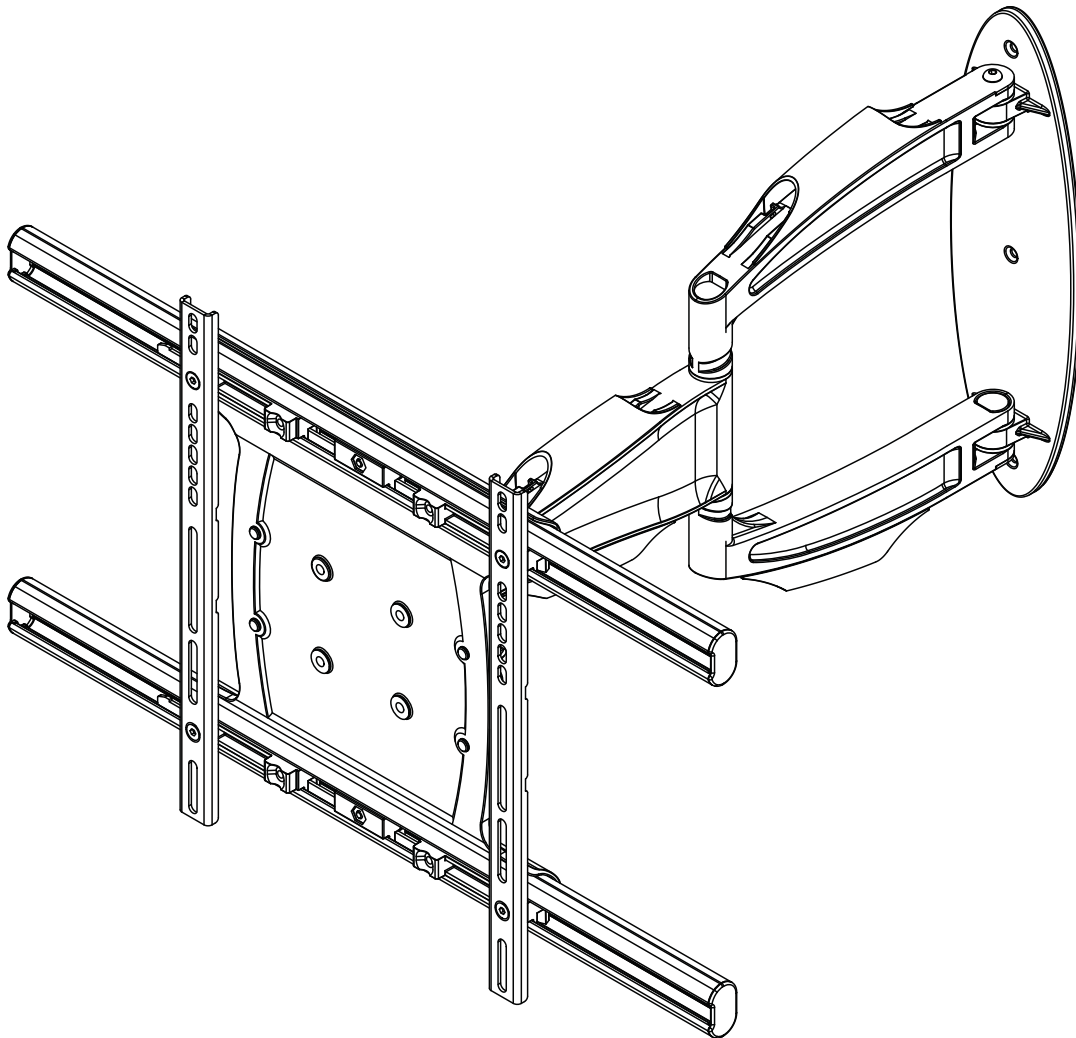




## Anbringung und Zusammenbau: Gelenkarm-Wandhalter für Flachbildschirme von 32 - 52 Zoll

---

Modelle: SA752PU



Maximale UL Tragfähigkeit: 90 lb (41 kg)

**HINWEIS:** Lesen Sie die gesamte Anleitung, bevor Sie mit der Anbringung und dem Zusammenbau beginnen.

## ⚠ ACHTUNG

- Beginnen Sie mit der Anbringung Ihres Peerless-Produkts erst, nachdem Sie die in dieser Montageanleitung enthaltenen Anleitungen und Achtungshinweise gelesen und sich gründlich mit ihnen vertraut gemacht haben. Falls Sie Fragen hinsichtlich irgendeiner der Anleitungen oder Achtungshinweise haben, wenden Sie sich in den USA bitte an den Peerless-Kundendienst unter der Rufnummer 1-800-865-2112. Kunden im Ausland wenden sich bitte an den örtlichen Vertragshändler.
- Dieses Produkt darf nur von Personen mit guten mechanischen Fähigkeiten montiert werden, die über Erfahrung in den Grundlagen der Baukonstruktion verfügen und diese Anleitungen vollkommen verstehen.
- Vergewissern Sie sich, dass die tragende Fläche das Gesamtgewicht der Geräte und allen daran angebrachten Befestigungsteilen und Komponenten sicher tragen kann.
- Die maximale UL Tragfähigkeit darf niemals überschritten werden. Siehe Seite 43.
- Achten Sie bei der Anbringung an Holzständern darauf, dass die Befestigungsschrauben jeweils in der Mitte der Holzständer verankert sind. Am besten eignet sich ein Balkenfinder mit genauer Kantenanzeige.
- Ziehen Sie immer eine zusätzliche Person heran oder verwenden Sie mechanische Hebeegeräte, um Geräte sicher zu heben und zu positionieren.
- Ziehen Sie die Schrauben fest an, ohne sie zu überdrehen. Durch Überdrehen können die Teile beschädigt werden, wodurch ihr Haltevermögen stark reduziert wird.
- Dieses Produkt ist nur für den Gebrauch innerhalb von Gebäuden bestimmt. Eine Verwendung dieses Produkts im Freien kann zu Produktausfall und Personenschaden führen.
- Dieses Produkt wurde nur für die Anbringung an den folgenden Wandkonstruktionen ausgelegt:

### WANDKONSTRUKTION

- Holzständer
- Holzbalken
- Massivbeton
- Porenbetonstein
- Metallständer
- Ziegel
- Andere oder nicht sicher?

### ERFORDERLICHE BEFESTIGUNGSTEILE

- Inbegriffen
- Inbegriffen
- Inbegriffen
- Inbegriffen
- Nur mit metallständer-zubehörsatz von Peerless anbringen  
(nicht UL-zugelassene)
- Qualifizierten fachmann konsultieren (nicht UL-zugelassene)
- Qualifizierten fachmann konsultieren

## Für den Zusammenbau erforderliche Werkzeuge

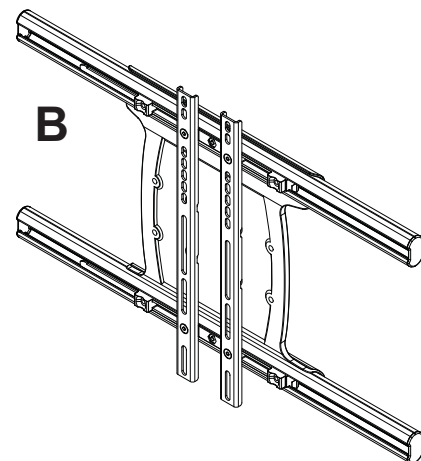
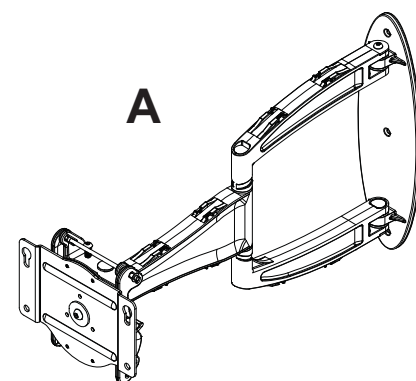
- Balkenfinder (Balkenfinder mit genauer Kantenanzeige empfohlen)
- Kreuzschlitzschraubendreher
- 5/16 Zoll (8 mm) Bit für Beton- und Porenbetonsteinwand
- 5/32 Zoll (4 mm) Bit für Holzständerwand
- Wasserwaage

## Inhaltsverzeichnis

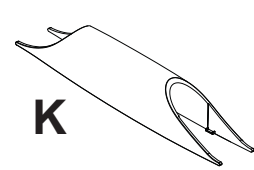
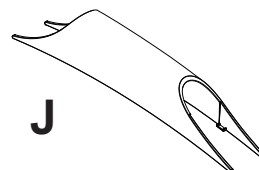
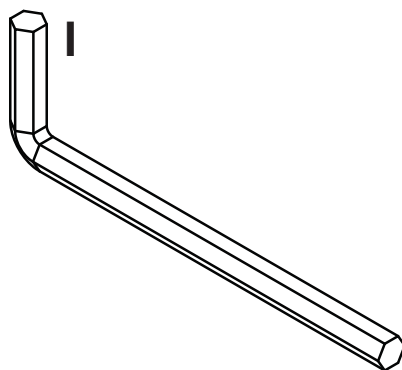
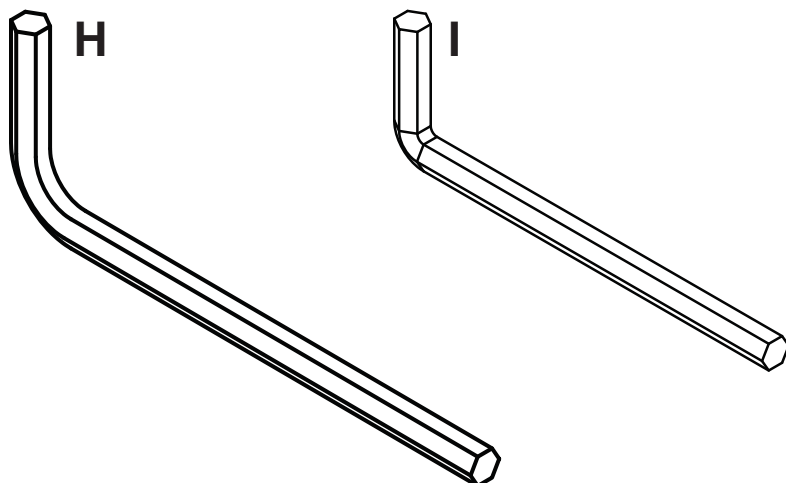
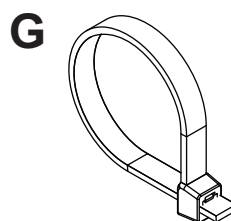
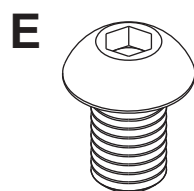
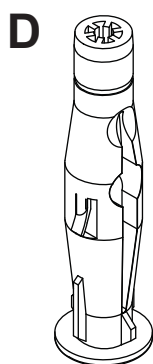
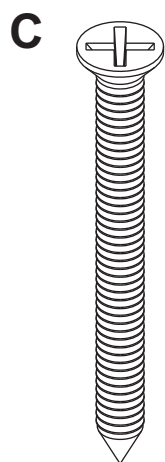
Teileliste.....	45, 46
Anbringung an Wand.....	47, 48
Anbringung der Adapterhalterung am Bildschirm.....	49-53
Anbringung des Flachbildschirms.....	54
Kabelführung .....	56

Bevor Sie beginnen, stellen Sie sicher, alle Teile gezeigt, mit Ihrem Produkt enthalten sind.

<b>Teileliste</b>		<b>SA752PU</b>	
<b>Beschreibung</b>	<b>Anz.</b>	<b>Teile Nr.</b>	
<b>A</b> Wandarm	1	095-P1642	
<b>B</b> Universell-Adapterhalterung	1	095-P1635-2	
<b>C</b> Holzschrauben	3	520-1202	
<b>D</b> Beton Dübel	3	590-0320	
<b>E</b> M10 x 15 mm Schrauben	2	520-9262	
<b>F</b> Befestigungsteilabdeckungen	3	590-1324	
<b>G</b> Kabelbinder	8	590-1168	
<b>H</b> 6 mm Inbusschlüssels	1	560-9716	
<b>I</b> 5 mm Inbusschlüssels	1	560-9640	
<b>J</b> Abdeckung hinteres Kabel	2	590-P1326	
<b>K</b> Abdeckung vorderes Kabel	2	590-P1327	
<b>L</b> #3 Schraubendreher (nicht dargestellt)	1	560-0209	



Die Teile können etwas anders aussehen als abgebildet.



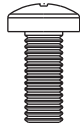
# Befestigungsteile Für Adapterhalterung



M4 x 12 mm (6)  
(504-9013)



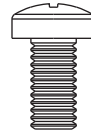
M4 x 25 mm (4)  
(504-1015)



M5 x 12 mm (4)  
(520-1027)



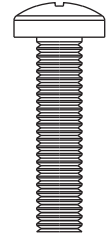
M5 x 25 mm (4)  
(520-9543)



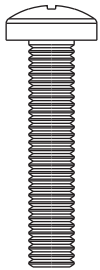
M6 x 12 mm (4)  
(520-1128)



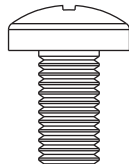
M6 x 20 mm (4)  
(520-9402)



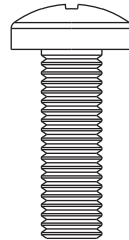
M6 x 25 mm (4)  
(520-1208)



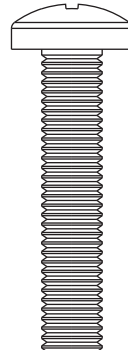
M6 x 30 mm (4)  
(510-9109)



M8 x 16 mm (6)  
(520-9257)



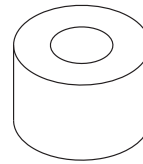
M8 x 25 mm (4)  
(520-1031)



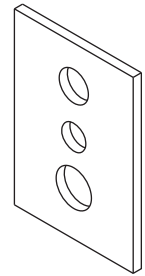
M8 x 40 mm (4)  
(520-1136)



I.D. .22" (4)  
(540-1057)



I.D. .34" (4)  
(540-1059)



Mehrlochs-  
scheibe (6)  
(580-1036)

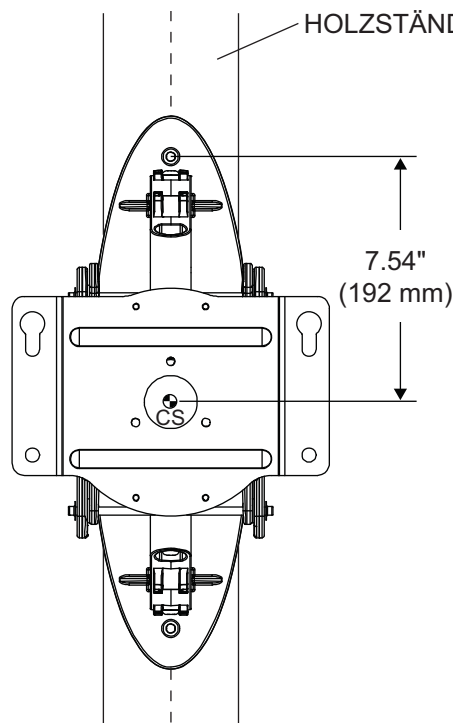
## Anbringung an Wänden mit einer Holzständerreihe

### ⚠ ACHTUNG

- Bei der Anbringung muss darauf geachtet werden, dass die Wand die kombinierte Last von Bildschirm und allen Befestigungsteilen und -komponenten tragen kann.
- Ziehen Sie die Schrauben fest genug an, dass die Wandplatte sicher befestigt ist, doch ohne sie zu überdrehen. Durch Überdrehen können die Schrauben beschädigt werden, wodurch ihr Haltevermögen stark reduziert wird.
- Das Drehmoment darf 80 in. • lb (9 Nm.) auf keinen Fall überschreiten.
- Achten Sie darauf, dass die Befestigungsschrauben jeweils in der Mitte der Holzständer verankert werden. Am besten eignet sich ein Balkenfinder mit genauer Kantenanzeige.
- Die mitgelieferten Befestigungsteile sind für die Befestigung des Halters durch Trocken- oder Putzwand standardmäßiger Stärke in Holzständer vorgesehen. Für die Anbringung an anders konstruierten Wänden müssen andere (nicht UL-zugelassene) Befestigungsteile verwendet werden.

**1** Bestimmen und markieren Sie die Kanten des Holzständers mithilfe eines Balkenfinders. Am besten eignet sich ein Balkenfinder mit genauer Kantenanzeige. Ziehen Sie mithilfe einer Wasserwaage eine senkrechte Linie entlang der Mitte des Ständers. Verwenden Sie die Wandplatte Vorlage (Wandarm) um den Mittelpunkt der Bohrungen auf der senkrechten Linie zu markieren. Die oberen Montagebohrungen sollten sich wie in Abbildung 1.1 dargestellt 192 mm (7,54 Zoll) oberhalb der gewünschten Bildschirmmitte befinden. Bohren Sie drei Löcher mit einem Durchmesser von 4 mm (5/32 Zoll) und einer Mindesttiefe von 64 mm (2,5 Zoll). Befestigen Sie den Wandarm (A) mit drei Holzschrauben (C) mit Schraubendreher (L) wie in Abbildung 1.2 dargestellt an der Wand. Richten Sie die Platte waagrecht aus und ziehen Sie dann sämtliche Befestigungsteile an.

Setzen Sie die drei Befestigungsteilabdeckungen (F) in die Montagebohrungen der Wandplatte ein.



CS = IN DER MITTE DES BILDSCHIRMS

Abbildung. 1.1

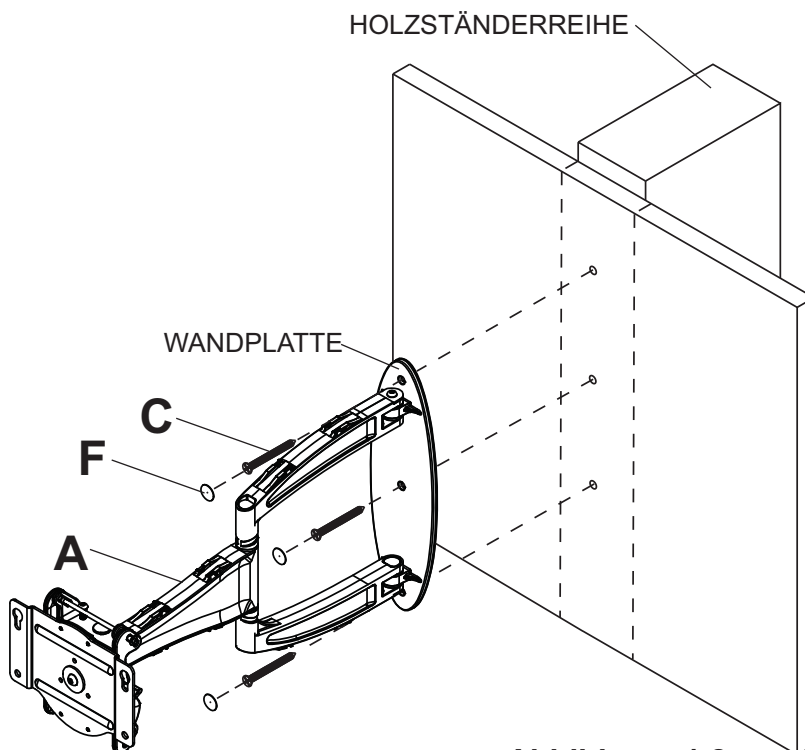


Abbildung. 1.2

**⚠ ACHTUNG**

- Bei der Anbringung von Peerless-Wandhaltern an Porenbetonstein muss sichergestellt werden, dass die tatsächliche Stärke des Betons, in den das Loch für die Betondübel gebohrt wird, mindestens 35 mm (1 3/8 Zoll) beträgt. Bohren Sie nicht in Mörtelfugen! Achten Sie darauf, dass die Anbringung an einem massiven Teil des Blocks erfolgt, im Allgemeinen mindestens 25 mm (1 Zoll) von der Blockseite entfernt. Die Porenbetonsteine müssen den Spezifikationen der ASTM-Norm C-90 entsprechen. Wir empfehlen, zum Bohren des Lochs anstelle eines Schlagbohrers einen standardmäßigen Elektrobohrer bei niedriger Einstellung zu verwenden, um zu verhindern, dass die Bohrungsrückseite beim Eintritt in einen Leer- oder Hohlraum ausbricht.
- Die Betondruckfestigkeit muss mindestens 2000 psi betragen. In Beton mit geringerer Druckfestigkeit kann der Betondübel u. U. nicht halten.
- Vergewissern Sie sich, dass die Wand das Vierfache des Gesamtgewichts von Geräten und allen daran angebrachten Befestigungsteilen und Komponenten sicher tragen kann.

**1** Verwenden Sie die Wandplatte Vorlage (Wandarm) als Schablone zur Markierung der Montagebohrungen. Die obere Montagebohrung sollte sich wie in Abbildung 1.1 auf Seite 47 dargestellt 192 mm (7,54 Zoll) oberhalb der gewünschten Bildschirmmitte befinden. Bohren Sie drei Löcher mit einem Durchmesser von 8 mm (5/16 Zoll) und einer Tiefe von 64 mm (2,5 Zoll) wie in Abbildung 1.3 dargestellt. Stecken Sie Dübel (D) in die Löcher, bis sie bündig mit der Wand abschließen (siehe Abbildung rechts). Setzen Sie den Wandarm über die Dübel und befestigen Sie ihn mit den Holzschrauben (C) mit Schraubendreher (L). Richten Sie ihn waagrecht aus und ziehen Sie dann sämtliche Befestigungsteile an.

Setzen Sie die drei Befestigungsteilabdeckungen (F) in die Montagebohrungen der Wandplatte ein.

**⚠ ACHTUNG**

- Ziehen Sie die Schrauben fest genug an, dass die Wandplatte sicher befestigt ist, doch ohne sie zu überdrehen. Durch Überdrehen können die Schrauben beschädigt werden, wodurch ihr Haltevermögen stark reduziert wird.
- Das Drehmoment darf 80 in. • lb (9 Nm.) auf keinen Fall überschreiten.
- Betonspreizdübel müssen stets direkt am tragenden Beton angebracht werden.
- Betonspreizdübel dürfen auf keinen Fall an Beton befestigt werden, der mit Verputz, Trockenwandmaterial oder anderem Deckschichtmaterial bedeckt ist. Falls es nicht vermeiden lässt (nicht UL-zugelassene), die Montage an einer Betonfläche mit Deckschicht vorzunehmen, muss wie nachstehend dargestellt eine Senkung in die Deckschicht gebohrt werden. Vergewissern Sie sich, dass die Betondübel beim Anziehen der Schrauben nicht vom Beton weg gezogen werden. Falls der Verputz bzw. das Trockenwandmaterial dicker ist als 16 mm (5/8 Zoll), müssen von der für die Montage zuständigen Person Spezialbefestigungsteile bereitgestellt werden (nicht UL-zugelassene).

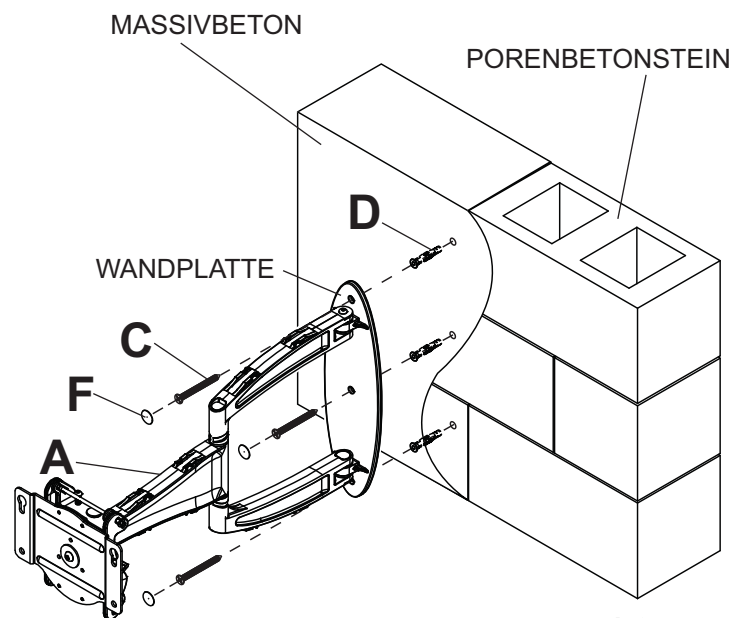
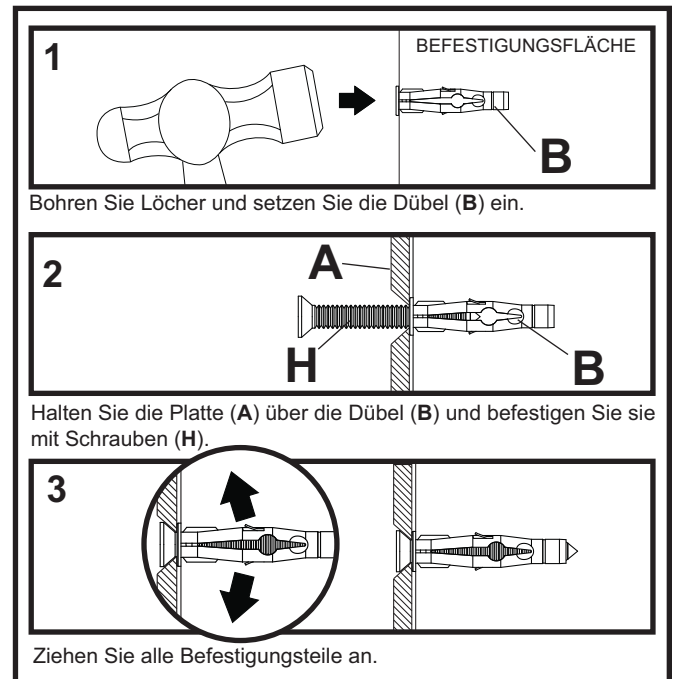
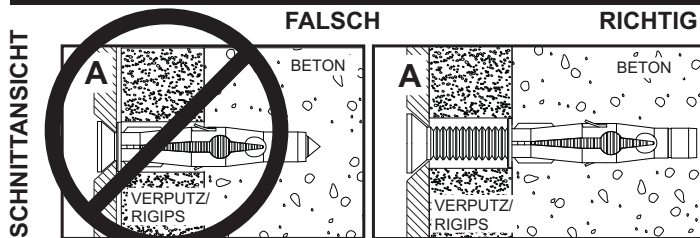


Abbildung. 1.3



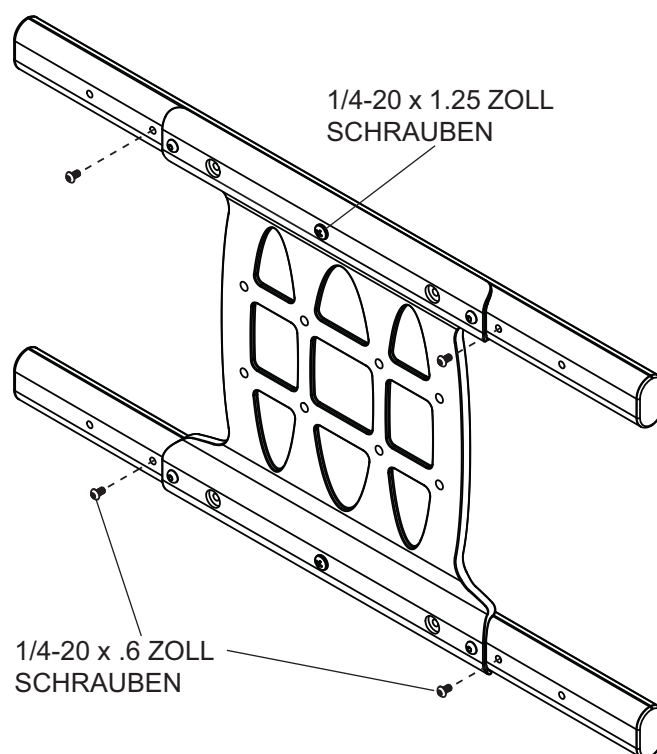
## Installation Adapterhalterungen zur Bildschirmansicht

**HINWEIS:** Wenn der Bildschirm über das Montagemuster VESA 400 verfügt, fahren Sie mit Schritt 2-3 oder 2-4 auf Seite 51 fort.

**HINWEIS:** Für die Anbringung der speziellen PLP-Platte fahren Sie mit Schritt 4 auf Seite 54 fort.

**2**

Entfernen Sie mithilfe des 5 mm Inbusschlüssels (I) die vier 1/4-20 x 0,6 Zoll Schrauben und lösen Sie zwei 1/4-20 x 1,25 Zoll Schrauben um eine halbe Umdrehung, um das Einstellen der Bildschirmhalterung zu ermöglichen.

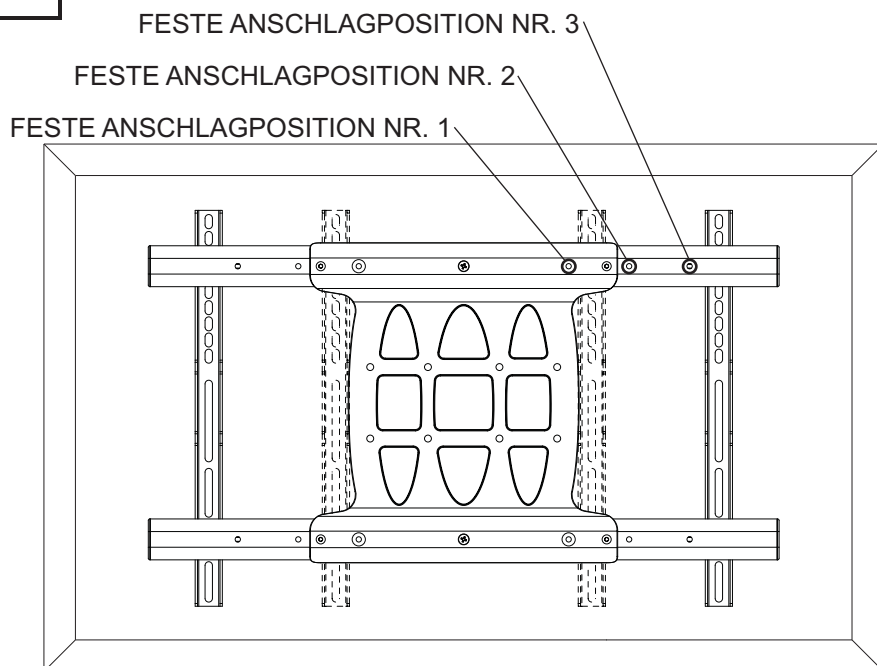


**2-1**

Legen Sie ein Tuch auf eine flache, ebene Oberfläche, die das Gewicht des Bildschirms tragen kann, damit der Bildschirm nicht zerkratzt wird. Legen Sie den Bildschirm mit der Vorderseite nach unten ab. Lesen Sie die Anleitungen des Bildschirmherstellers bzgl. des Entfernens von Knöpfen, Sockel, Abdeckung oder Schrauben an der Bildschirmrückseite, um die Anbringung der Bildschirmhalterungen am Bildschirm vorzubereiten. Passen Bildschirmhalterungen mit Bildschirm ausrichten Montagelöcher.

Messen Sie das horizontale Montagelochmuster und wählen Sie aus der nachstehenden Tabelle die feste Anschlagposition aus. **HINWEIS:** Handelt es sich bei dem horizontalen Montagelochmuster auf der Rückseite des Bildschirms um ein VESA 200 Muster, fahren Sie mit Schritt 3 auf Seite 52 fort.

horizontal mounting hole pattern	fixed stop-position
10-3/4" - 16-1/16" (273 - 408 mm)	#1
15-1/16" - 21-9/16" (383 - 548 mm)	#2
20-7/16" - 27-9/16" (519 - 700 mm)	#3



## Installation Adapterhalterungen zur Bildschirmansicht

### ⚠ ACHTUNG

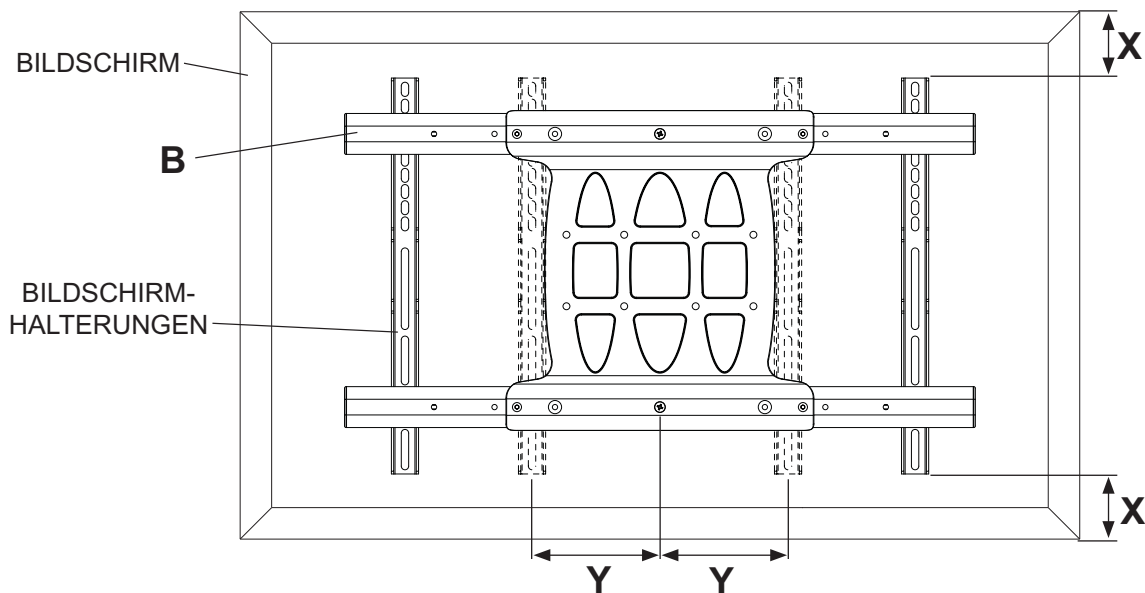
- Ziehen Sie die Schrauben nicht zu fest an. Durch Überdrehen kann der Halter beschädigt werden. Das maximale Drehmoment zum Festziehen der Schrauben darf 40 in • lb (4,5 Nm) nicht überschreiten.
- Sind die Schrauben nicht um drei volle Umdrehungen in die Löcher des Bildschirms eingeschraubt oder stoßen sie unten an und die Halterung ist noch immer nicht sicher befestigt, kann der Bildschirm beschädigt werden oder das Produkt kann versagen.

**2-2**

Wählen Sie die Schrauben aus der Tasche, sortiert Schraube am besten Ihren Bildschirm passen und sicher zum nächsten Schritt 2-3 oder 2-4 auf Seite 51 Bildschirm.

**HINWEIS:** Zum Befestigen der Bildschirmhalterungen sind die oberen und unteren Montagebohrungen zu verwenden. Wo immer mit den jeweiligen Befestigungsteilen und Bildschirmen möglich, sollten auch die mittleren Bohrungen verwendet werden. Achten Sie darauf, dass alle Bohrungen korrekt ausgerichtet sind; ziehen Sie dann die Schrauben mit einem Kreuzschlitzschraubendreher an.

**RICHTEN SIE DIE BILDSCHIRMHALTERUNGEN SENKRECHT AN DER BILDSCHIRM-RÜCKSEITE AUS**



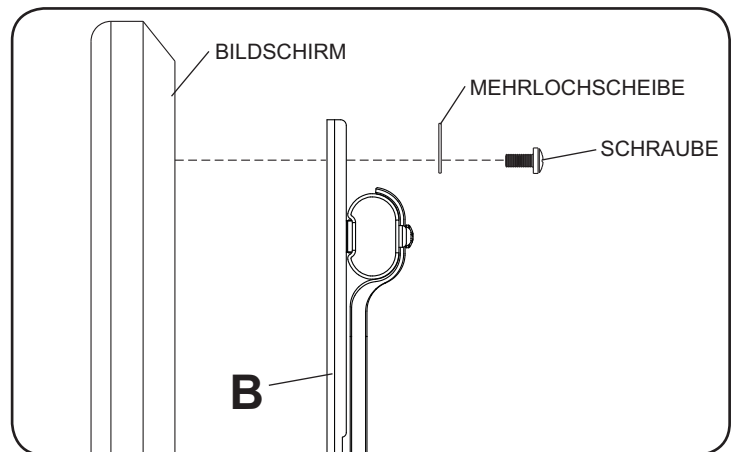
**HINWEIS:** Die „X“-Abstände müssen identisch sein.  
Die „Y“-Abstände müssen identisch sein.

## Bildschirme mit flacher Rückseite

**2-3** Beginnen Sie mit der kürzesten Schraube und schrauben Sie diese wie unten dargestellt von Hand durch die Mehrlochscheibe und Bildschirmhalterungen (**B**) in den Bildschirm. Die Schraube muss sich um mindestens drei volle Umdrehungen in die Montagebohrung drehen lassen und gut festsitzen. Nicht zu stark anziehen. Wählen Sie eine längere Schraube aus dem Befestigungsteilesortiment, wenn sich die Schraube nicht um drei volle Umdrehungen in den Bildschirm schrauben lässt. Wiederholen Sie diesen Schritt bei den übrigen Montagebohrungen, richten Sie die Bildschirmhalterungen waagrecht aus und ziehen Sie die Schrauben an.

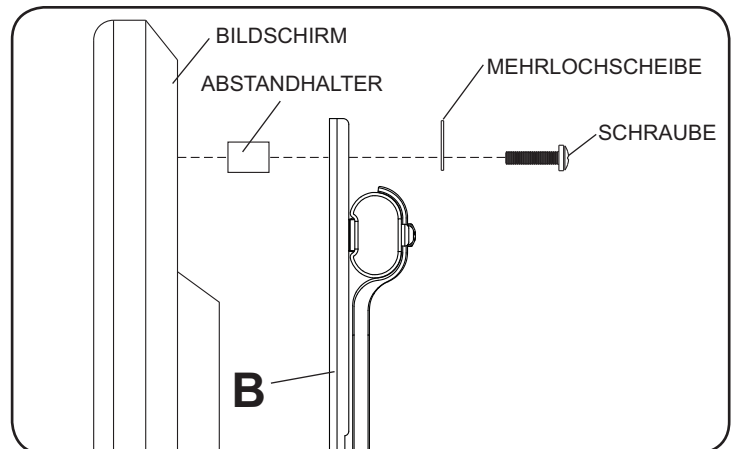
**HINWEIS:** Je nach Bildschirmtyp sind keine Abstandhalter zu verwenden.

Fahren Sie mit Schritt 2-5.

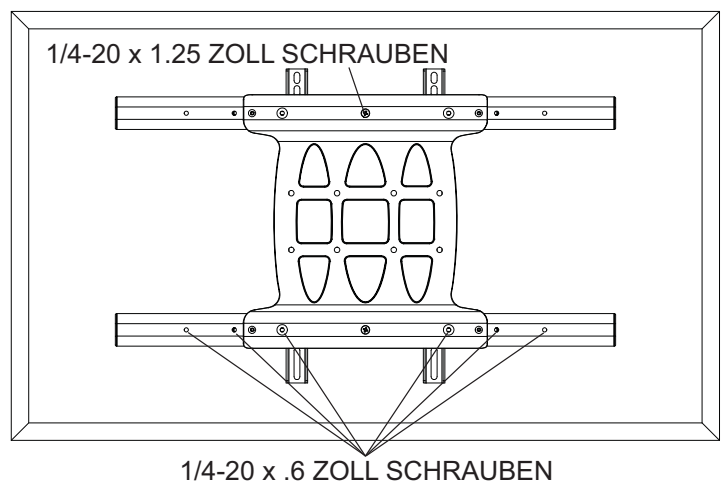


## Bildschirme mit Wölbung oder Vertiefung an der Rückseite

**2-4** Beginnen Sie mit der längeren Schraube und schrauben Sie diese wie nachstehend dargestellt von Hand durch die Mehrlochscheibe, die Bildschirmhalterungen (**B**) und den Abstandhalter (in dieser Reihenfolge) in den Bildschirm. Die Schraube muss sich um mindestens drei volle Umdrehungen in die Montagebohrung drehen lassen und gut festsitzen. Nicht zu stark anziehen. Wählen Sie eine längere Schraube aus dem Befestigungsteilesortiment, wenn sich die Schraube nicht um drei volle Umdrehungen in den Bildschirm schrauben lässt. Wiederholen Sie diesen Schritt bei den übrigen Montagebohrungen, richten Sie die Bildschirmhalterungen waagrecht aus und ziehen Sie die Schrauben an.



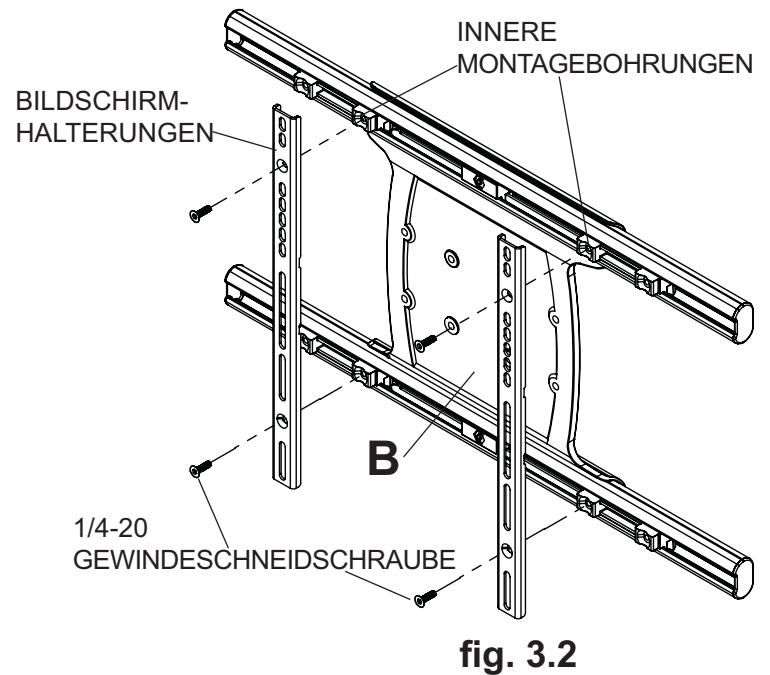
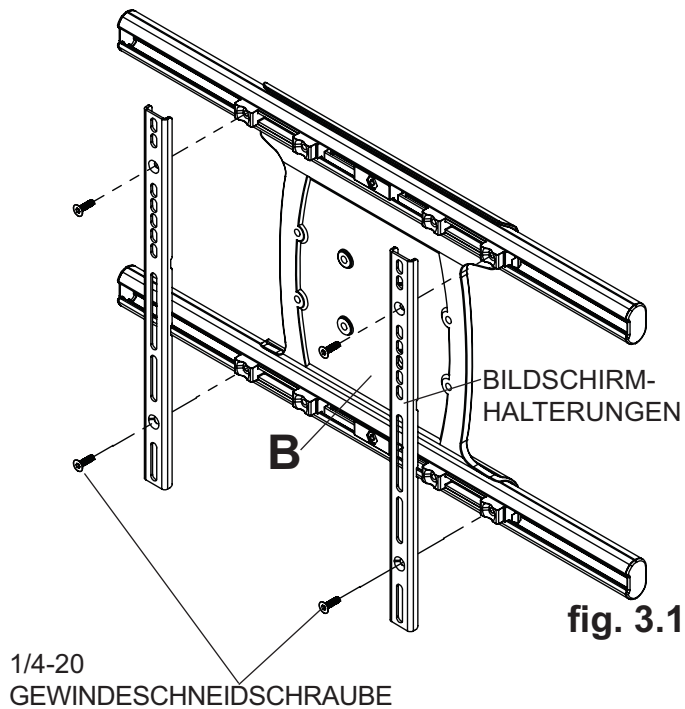
**2-5** Zentrieren Sie die Bildschirmhalterungen horizontal und vertikal auf der Bildschirmrückseite. Ziehen Sie die beiden 1/4-20 x 1,25 Zoll Schrauben an. Bringen Sie die vier 1/4-20 x 0,6 Zoll Schrauben mithilfe des 5 mm Inbusschlüssels (I) wieder in der entsprechenden festen Anschlagposition aus der Tabelle auf Seite 49 an.



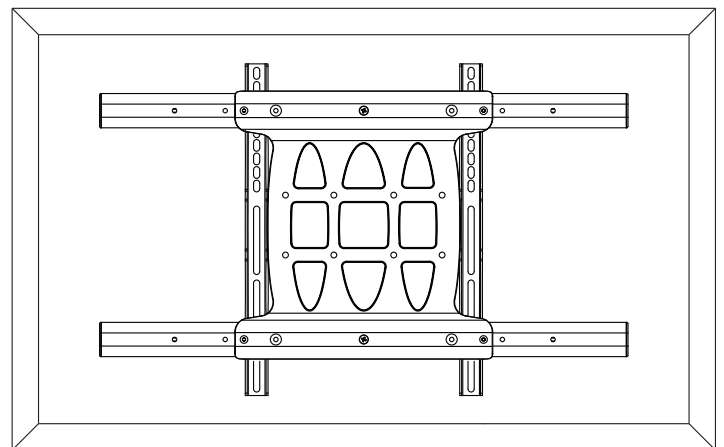
## VESA 200 x 200 oder 200 x 100 VESA Montage-Muster

**3** Entfernen Sie mithilfe des 5 mm Inbusschlüssels (I) die vier 1/4-20 Gewindeschneidschraube wie in Abbildung 4.1 dargestellt, um die Bildschirmhalterungen von der Universal-Adapterhalterung (B) abzunehmen.

Bringen Sie die vier 1/4-20 Gewindeschneidschraube wieder an, um die Bildschirmhalterungen wie in Abbildung 4.2 dargestellt an der inneren Gruppe der Montagebohrungen an der Universal-Adapterhalterung (B) zu befestigen.



**3-1** Legen Sie ein Tuch auf eine flache, ebene Oberfläche, die das Gewicht des Bildschirms tragen kann, damit der Bildschirm nicht zerkratzt wird. Legen Sie den Bildschirm Gesicht nach unten und Ort Universal-Adapter Halter (B) auf die Leinwand.

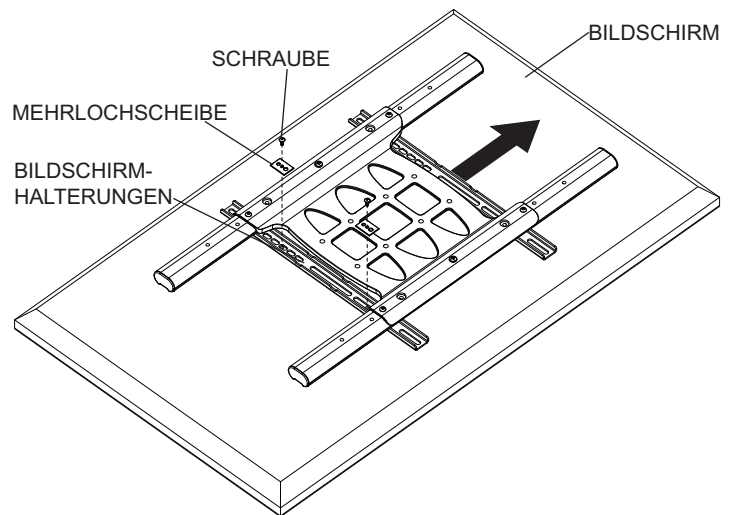


## VESA 200 x 200 oder 200 x 100 VESA Montage-Muster (Fortsetzung)

**3-2** Richten Sie eine Bildschirmhalterung mit einer Gruppe von Bildschirm-Montagebohrungen aus.

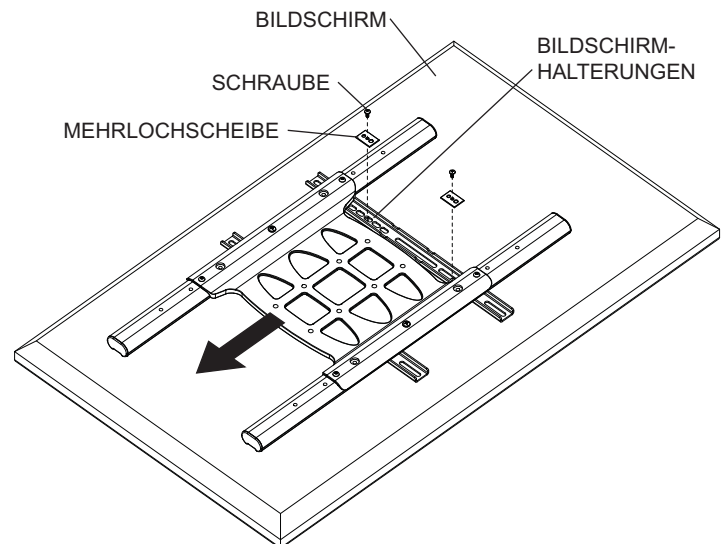
Beginnen Sie mit der kürzesten Schraube Linksgewinde Schraube durch multi-Scheibe und Bildschirmhalterungen in den Bildschirm wie abgebildet. Die Schraube muss mindestens drei volle Umdrehungen in die Aufnahmebohrung zu machen und gut festsitzen. Nicht zu fest anziehen. Wenn die Schraube nicht um drei volle Umdrehungen in den Bildschirm, wählen Sie eine längere Schraube aus der sortierten Schraube Tasche. Zentrieren Sie die Bildschirmhalterungen vertikal und ziehen Sie die Schrauben an.

**HINWEIS:** Bei Bildschirmen mit einer Wölbung oder Vertiefung auf der Rückseite kann ein Abstandhalter verwendet werden. Der Abstandhalter wird zwischen Bildschirmhalterung und Bildschirm eingesetzt.



**3-3** Schieben Sie die Universal-Adapterhalterung auf die gegenüberliegende Seite und richten Sie die zweite Bildschirmhalterung mit der zweiten Gruppe von Bildschirm-Montagebohrungen aus.

Schrauben Sie die Schrauben von Hand durch die Mehrlochscheibe, die Bildschirmhalterung und den Abstandhalter (falls verwendet) wie dargestellt in den Bildschirm ein. Ziehen Sie alle Schrauben an.



**3-4** Zentrieren Sie die Bildschirmhalterungen horizontal auf der Bildschirmrückseite wie in Abbildung 3.3 dargestellt. Ziehen Sie die beiden 1/4-20 x 1,25 Zoll Schrauben an. Bringen Sie die vier 1/4-20 x 0,6 Zoll Schrauben wie in Abbildung 3.4 dargestellt mithilfe des 5 mm Inbusschlüssels (I) wieder in der festen Anschlagposition 1 an.

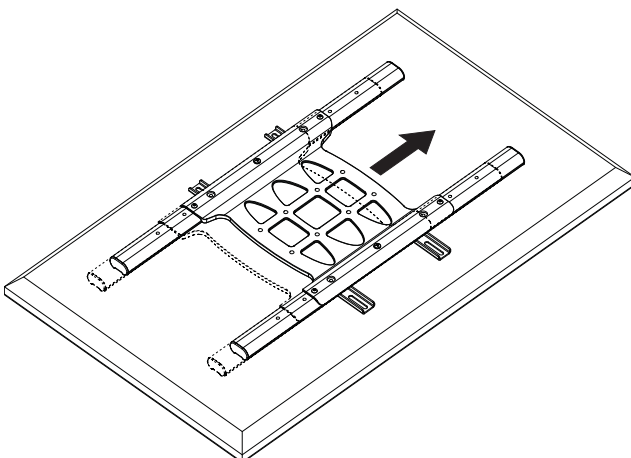


fig. 3.3

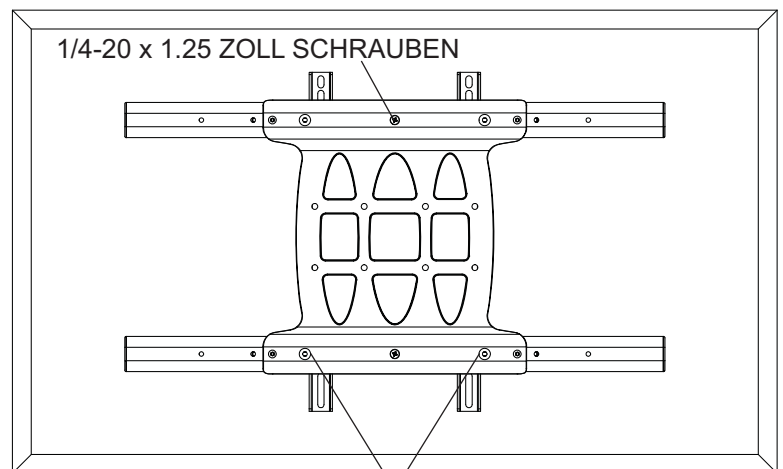


fig. 3.4

FESTE ANSCHLAGPOSITION NR. 1  
MIT 1/4-20 x 0,6 ZOLL SCHRAUBEN

## ⚠ ACHTUNG

- Ziehen Sie immer eine zusätzliche Person heran oder verwenden Sie mechanische Hebegeräte, um den Flachbildschirm sicher zu heben und zu positionieren.
- Ziehen Sie die Schrauben nicht zu fest an. Durch Überdrehen kann der Halter beschädigt werden. Das maximale Drehmoment zum Festziehen der M10 x 15 mm Schrauben (E) darf 40 in • lb (4,5 Nm) nicht überschreiten.

### Anbringung des Flachbildschirms

- 4** Für spezielle PLP-Platte (nicht UL-zugelassene): Informationen zur Befestigung der speziellen PLP-Platte am Bildschirm können dem Anleitungsblatt für das PLP-Modell entnommen werden. Bringen Sie die zwei M10 x 15 mm Schrauben (mit der speziellen PLP-Platte geliefert) so in den beiden oberen Löchern der speziellen PLP-Platte an, dass noch ca. 6 mm Gewinde zu sehen sind wie in Abbildung 4.1 dargestellt.

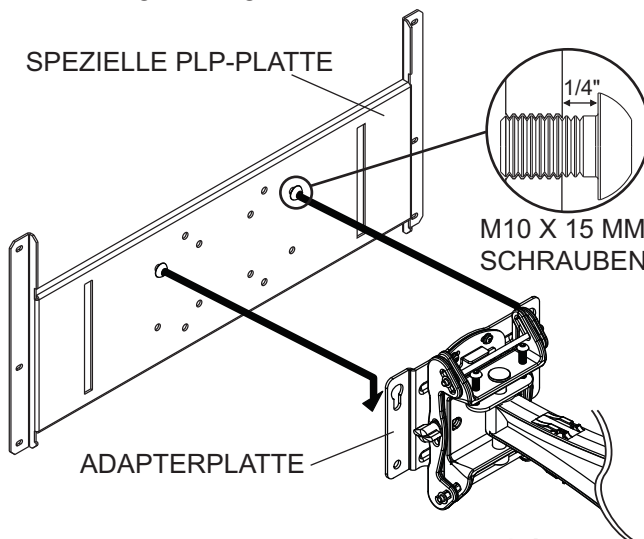


Abbildung. 4.1

- Für Universell-Adapterhalterung: Hängen Sie die M10 x 15 mm Schrauben in die Schlüssellochschnitte der Adapterplatte (A) ein wie in Abbildung 4.2 dargestellt.

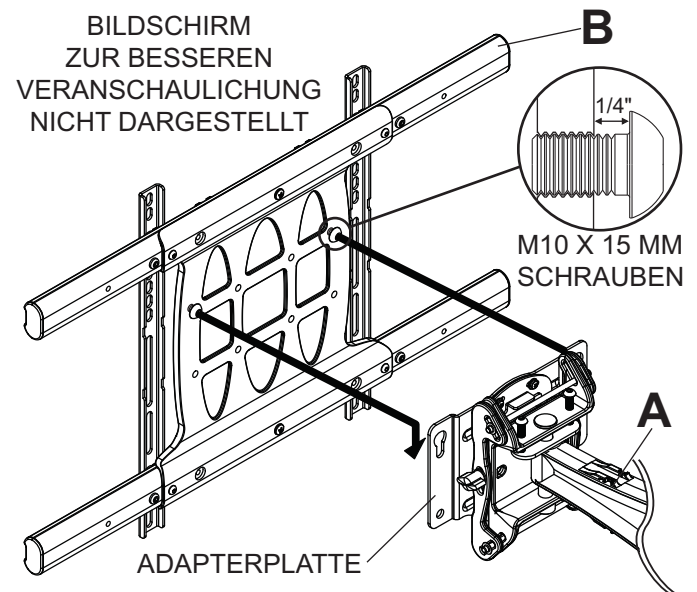


Abbildung. 4.2

- 4-1** Setzen Sie zwei M10 x 15 mm Schrauben (E) in die unteren Löcher der Adapterplatte ein wie in Abbildung 4.3 und 4.4 dargestellt. Ziehen Sie alle Befestigungsteile mit dem 6 mm Inbusschlüssel (H) an.

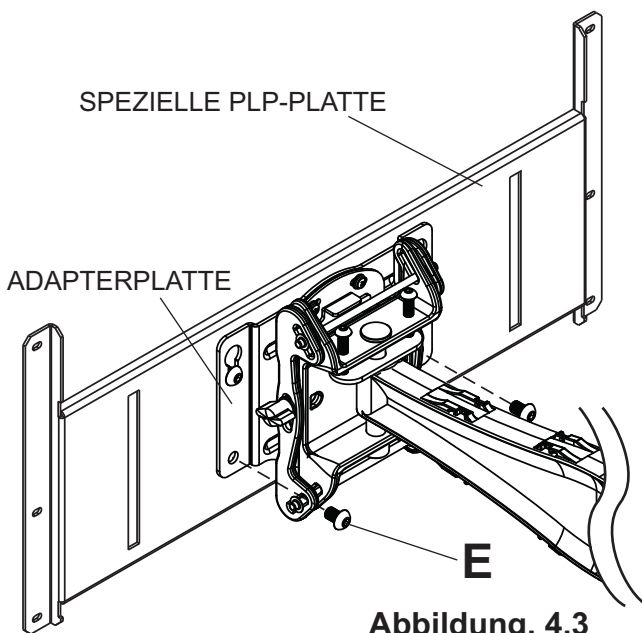


Abbildung. 4.3

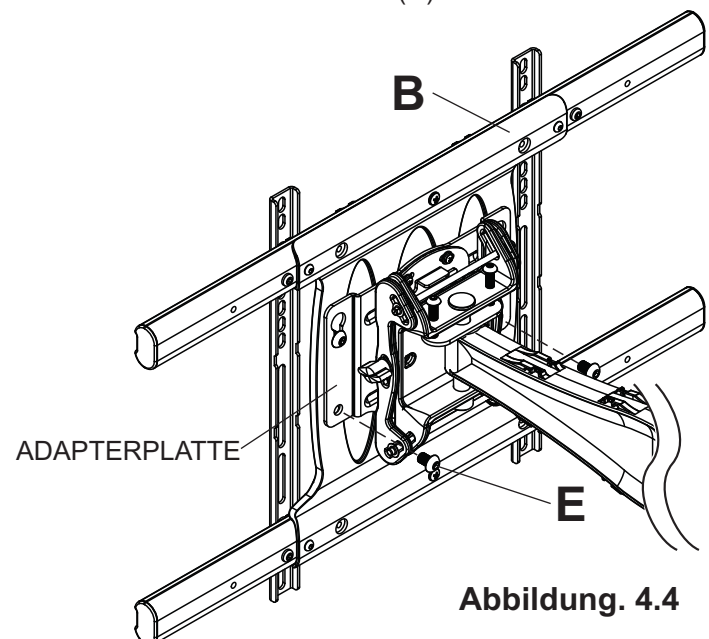
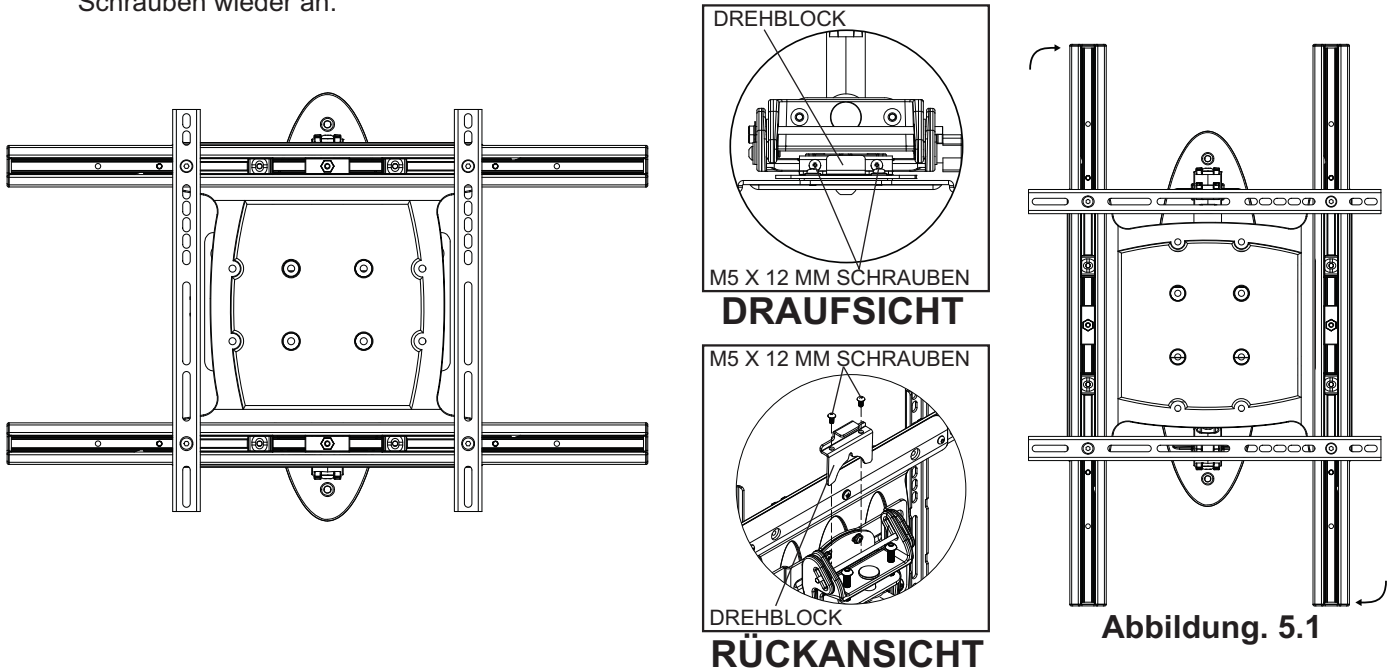


Abbildung. 4.4

## ⚠ ACHTUNG

- Wenn der Adapterplatte (A) nicht mit M10 x 15 mm Schrauben (E) gesichert und arretiert wird, kann der Bildschirm bei versehentlichem Anstoßen vom Halter herabfallen.

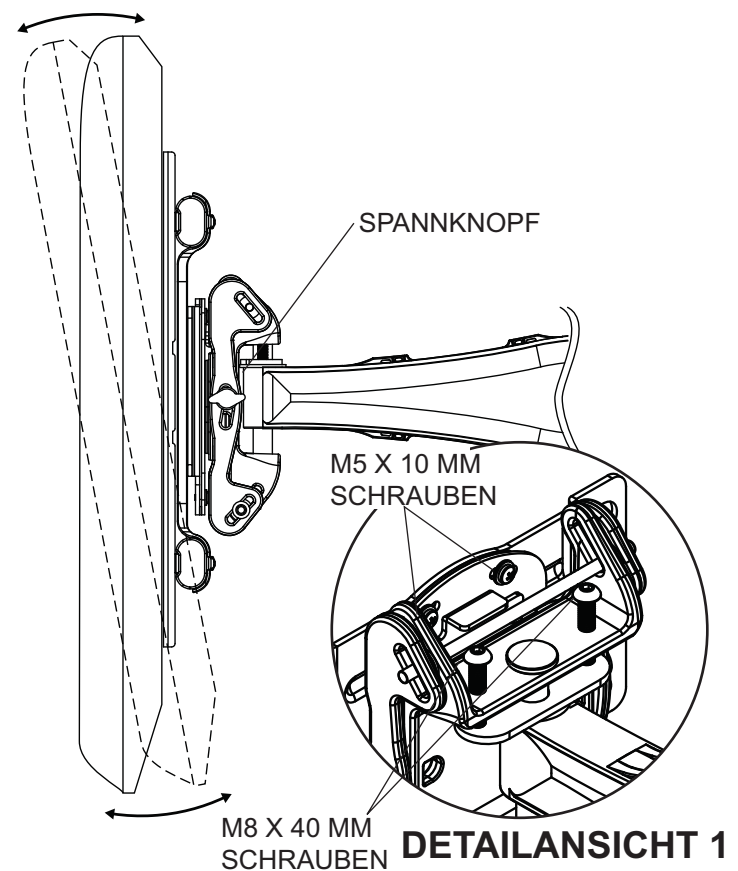
- 5 AUSRICHTEN DES BILDSCHIRMS IM HOCH- ODER QUERFORMAT:** Entfernen Sie mithilfe des 5 mm Inbusschlüssels (I) zwei M5 x 12 mm Schrauben und den Drehblock von der Oberseite des Neigungskopfs wie in der Draufsicht und Rückansicht dargestellt. Fassen Sie den Bildschirm vorsichtig an den Seiten, drehen Sie ihn wie in Abbildung 5.1 dargestellt in das Hoch- oder Querformat und bringen Sie den Drehblock mit zwei M5 x 12 mm Schrauben wieder an.



- 6 NEIGUNGSEINSTELLUNG:** Stellen Sie den Spannkopf auf der Halterseite auf die gewünschte Spannung für die Neigungseinstellung sowie für die Größe und das Gewicht Ihres Bildschirms ein. Ziehen Sie an der Oberkante des Bildschirms bzw. drücken Sie die Unterkante, um die Neigung einzustellen (siehe Abbildung). Die maximale Neigung beträgt 10° nach vorne bzw. 5° nach hinten. Ziehen Sie den Spannkopf wieder an.

**QUERNEIGUNGSEINSTELLUNG:** Drehen Sie den Bildschirm um 5° nach rechts oder links, richten Sie ihn waagrecht aus und ziehen Sie dann die M5 x 10 mm Schrauben mit dem 5 mm Inbusschlüssel (I) fest wie in Detailansicht 1 darstellt.

**ZUR VERTIKALEN HÖHENEINSTELLUNG:** Um  $\pm 25$  mm (1 Zoll) vertikaler Höheneinstellung zu erzielen, müssen die beiden M8 x 40 mm Schrauben wie in Detailansicht 1 dargestellt um die gleiche Anzahl von Umdrehungen festgezogen bzw. gelöst werden.



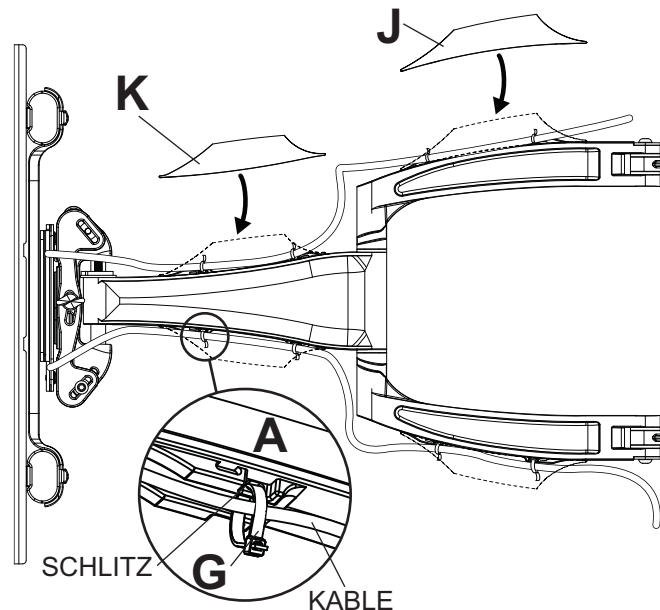
## VORSICHT

- Ziehen Sie die Schrauben nicht zu fest an.
- Achten Sie darauf, dass Sie die Finger nicht einklemmen, wenn der Halter von der Wand weg gezogen bzw. zu ihr hin geschoben wird.

**7 Hinweis:** Achten Sie darauf, dass die Kabel ausreichend durchhängen, damit der Arm in vollem Umfang bewegt werden kann.

Verlegen Sie das Netzkabel oben oder unten durch den Arm (**A**) und das (die) Signalkabel auf der anderen Seite, um Signalstörungen zu verhindern. Sichern Sie die Kabel, indem Sie die Kabelabdeckungen (**J und K**) auf den Halter drücken. Der Bildschirm muss eventuell dazu abgenommen werden.

**Optional:** Verlegen sie die Kabelbinder (**G**) durch die Schlitz des Arms (**A**) wie in Detailansicht 2 dargestellt, wenn noch weitere Kabel verlegt werden müssen.



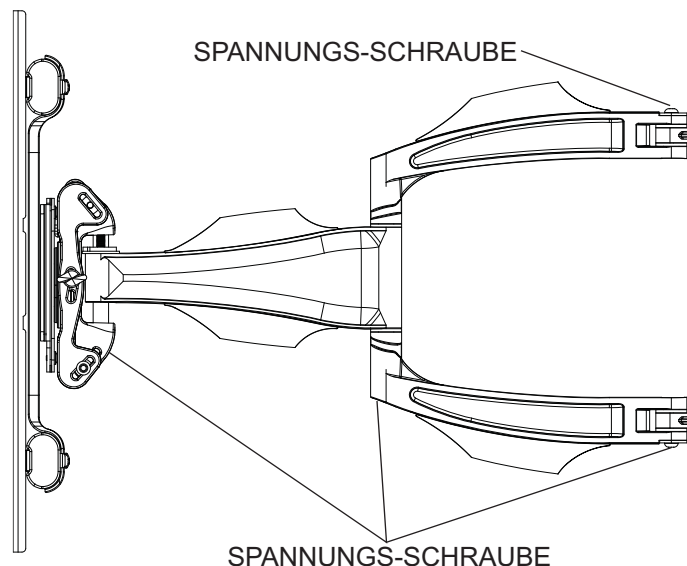
**DETAILANSICHT 2**

## ▲ ACHTUNG

- Die Schraube darf nicht entfernt bzw. soweit gelöst werden, dass sie nicht mehr in den Halter eingreift, da ansonsten der Bildschirm herabfallen kann.
- Ziehen Sie die Schrauben wie erforderlich nach, falls sie mit der Zeit locker werden. Das maximale Drehmoment zum Festziehen der Schrauben darf 5,6 Nm (50 in•lbs) nicht überschreiten.

**8** Wenn die Spannung in den Gelenken des Arms erhöht oder verringert werden soll, gehen Sie wie folgt vor:

- Zum Erhöhen der Spannung drehen Sie die Spannungsschraube(n) mit einem 5 mm Inbusschlüssel (I) nach rechts. **HINWEIS : Das maximale Drehmoment zum Festziehen der Schrauben darf 50 in • lb (5,6 Nm) nicht überschreiten.**
- Zum Verringern der Spannung drehen Sie die Spannungsschraube(n) mit einem 5 mm Inbusschlüssel (I) nach links. **HINWEIS: Drehen Sie die Schraube um nicht mehr als eine halbe Umdrehung.**





# LIMITED FIVE-YEAR WARRANTY

Peerless Industries, Inc. establishes a warranty period of five years for products manufactured or supplied by Peerless. This period commences from the date of sale of the product to the original consumer, but will in no case last for more than six years after the date of the product's manufacture. During the warranty period such products will be free from defects in material and workmanship, provided they are installed and used in compliance with the instructions established by Peerless Industries, Inc. Subject to applicable legal requirements, during the warranty period Peerless will repair or replace, or refund the purchase price of, any such product which fails to conform with this warranty.

Any other warranties prescribed by the law which may apply with respect to such products also are limited in duration to the warranty period specified in this Limited Five-Year Warranty.

This warranty does not cover damage caused by (a) service or repairs by the customer or a person who is not authorized for such service or repairs by Peerless Industries, Inc., (b) the failure to utilize proper packing when returning the product, (c) incorrect installation or the failure to follow Peerless' instructions or warnings when installing, using or storing the product, or (d) misuse or accident, in transit or otherwise, including in cases of third party actions and force majeure.

In no event shall Peerless be liable for incidental or consequential damages or damages arising from the theft of any product, whether or not secured by a security device which may be included with the product.

This Limited Five-Year Warranty is in lieu of all other warranties, expressed or implied, and is the sole remedy with respect to product defects. No retailer, dealer, distributor, installer or other person is authorized to modify or extend this warranty or impose any obligation on Peerless in connection with the sale of any product manufactured or supplied by Peerless.

This warranty gives specific legal rights, and you may also have other rights provided by the national legislation of the country in which you purchased such product.

**peerless®**

[www.peerlessmounts.com](http://www.peerlessmounts.com)

© 2008 Peerless Industries, Inc.

**Español**

# GARANTÍA LIMITADA DE CINCO AÑOS

Peerless Industries, Inc. establece un período de garantía de cinco años para los productos fabricados o suministrados por Peerless. Este período empieza en la fecha de venta del producto al consumidor original, pero en ningún caso durará más de seis años después de la fecha de fabricación del producto. Durante la vigencia de la garantía, dichos productos se encontrarán libres de defectos en sus materiales y fabricación, siempre que se instalen y usen de conformidad con las instrucciones establecidas por Peerless Industries, Inc. Sujeto a los requisitos legales pertinentes, durante la vigencia de la garantía Peerless reparará o reemplazará un producto que no cumpla con la presente garantía o reembolsará el precio de compra del mismo.

Cualquier otra garantía exigida por ley que podría ser aplicable con respecto a dichos productos también tendrá una vigencia limitada al período de garantía especificado en la presente Garantía Limitada de Cinco Años.

La presente garantía no abarca los daños causados por (a) trabajos de servicio, mantenimiento o reparación hechos por el cliente o una persona que no está autorizada por Peerless Industries, Inc. para realizar esos trabajos, (b) no utilizar un embalaje apropiado al devolver el producto, (c) una instalación incorrecta o no seguir las instrucciones o advertencias de Peerless al instalar, usar o almacenar el producto, o (d) uso indebido o accidente, en tránsito o de otro modo, incluso si se trata de acciones atribuibles a terceros o de casos de fuerza mayor.

Peerless en ningún caso será responsable de daños incidentales o indirectos o daños que surjan del robo de un producto, esté o no protegido por un dispositivo de seguridad incluido con el producto.

La presente Garantía Limitada de Cinco Años reemplaza cualquier otra garantía expresa o implícita, y es la única reparación con respecto a defectos en el producto. Ningún comerciante minorista, agente, distribuidor, instalador u otra persona, está autorizado para modificar o prolongar la presente garantía ni para imponer una obligación a Peerless en relación con la venta de un producto fabricado o suministrado por Peerless.

La presente garantía otorga derechos legales específicos, y usted también podría tener otros derechos en virtud de la legislación nacional del país donde usted compró el producto.

**peerless®**

[www.peerlessmounts.com](http://www.peerlessmounts.com)

© 2008 Peerless Industries, Inc.

# GARANTIE DE CINQ ANS

Peerless Industries, Inc., offre une garantie de cinq ans sur les produits fabriqués ou fournis par ses soins. Cette période commence à la date de vente du produit au client d'origine, mais ne peut en aucun cas dépasser de plus de six ans la date de fabrication. Pendant la période de garantie, les produits couverts seront exempts de tout défaut matériel et de main d'œuvre, dès lors qu'ils sont installés et utilisés dans le respect des instructions de Peerless Industries, Inc. Conformément aux dispositions légales applicables, Peerless réparera ou remplacera, ou remboursera le prix d'achat de tout produit non conforme à cette garantie pendant cette période.

Toute autre garantie obligatoire applicable à ces produits est également limitée à la durée spécifiée dans la présente Garantie de cinq ans.

Cette garantie ne couvre pas les dommages causés par (a) les interventions ou les réparations effectuées par le client ou par une personne non agréée par Peerless Industries, Inc., (b) la non-utilisation de l'emballage approprié lors du renvoi du produit, (c) une installation incorrecte ou le non-respect des instructions ou des avertissements de Peerless lors de l'installation, de l'utilisation ou du rangement du produit, ou (d) une mauvaise utilisation ou un accident pendant le transport ou en toute autre circonstance, y compris du fait de tiers et en cas de force majeure.

Peerless ne saura en aucun cas être tenue pour responsable de tout préjudice accidentel ou induit, ou de tout préjudice dû au vol d'un produit, qu'il soit ou non protégé par un dispositif de sécurité éventuellement fourni avec le produit.

Cette garantie de cinq ans remplace et annule toute autre garantie, expresse ou implicite, et constitue le seul recours valable en cas de dysfonctionnement des produits. Aucun détaillant, revendeur, distributeur, installateur ou autre n'est autorisé à modifier ou à prolonger cette garantie, ou à imposer une obligation quelconque à Peerless lors de la vente de produits fabriqués ou fournis par Peerless.

Cette garantie confère certains droits spécifiques, mais d'autres droits peuvent vous être conférés par la législation du pays où vous avez acheté le produit.



[www.peerlessmounts.com](http://www.peerlessmounts.com)

© 2008 Peerless Industries, Inc.

# BESCHRÄNKTEN FÜNFJÄHRIGEN GARANTIE

Peerless Industries Inc. gewährleistet auf Produkte, die von Peerless hergestellt oder geliefert werden, eine Garantiefrist von fünf Jahren. Die Frist beginnt mit dem Datum des Produktverkaufs an den ursprünglichen Verbraucher; sie gilt jedoch in keinem Fall länger als sechs Jahre nach Herstellungsdatum des Produkts. Während der Garantiefrist weisen solche Produkte keine Material- oder Verarbeitungsfehler auf, vorausgesetzt, sie werden gemäß den Anweisungen von Peerless Industries Inc. installiert und verwendet. Vorbehaltlich der einschlägigen rechtlichen Verpflichtungen repariert oder ersetzt Peerless während der Garantiefrist ein Produkt, das dieser Garantie nicht entspricht, oder erstattet den Kaufpreis dafür.

Andere gesetzlich vorgeschriebene Garantien, die auf solche Produkte zutreffen können, sind in ihrer Dauer ebenfalls auf die Frist beschränkt, die in dieser beschränkten fünfjährigen Garantie festgelegt ist.

Diese Garantie gilt nicht bei Schäden, die aufgrund folgender Ursachen entstanden: (a) Wartung oder Reparatur durch den Kunden oder einer Person, die nicht von Peerless Industries Inc. für die Durchführung solcher Wartungs- oder Reparaturarbeiten autorisiert wurde, (b) Nichtverwendung von geeigneter Verpackung bei der Rücksendung des Produkts, (c) falsche Installation oder Nichtbefolgung bzw. Nichtbeachtung von Peerless-Anweisungen oder -Warnhinweisen bei der Installation, Verwendung oder Lagerung des Produkts oder (d) Missbrauch oder Unfall, während des Transports oder anderweitig, einschließlich Handlungen Dritter und höherer Gewalt.

Auf keinen Fall haftet Peerless für Neben- oder Folgeschäden oder für Schäden, die aus dem Diebstahl eines Produkts entstehen, unabhängig davon, ob das Produkt durch eine mitgelieferte Sicherheitsvorrichtung gesichert war oder nicht.

Diese beschränkte fünfjährige Garantie gilt anstelle von allen anderen ausdrücklichen oder stillschweigenden Garantien und ist das alleinige Rechtsmittel bei Produktdefekten. Kein Einzel-, Vertrags- oder Vertriebshändler und keine mit der Installation beauftragte oder sonstige Person ist befugt, diese Garantie zu ändern oder zu verlängern oder Peerless irgendwelche Verpflichtungen in Zusammenhang mit einem von Peerless hergestellten oder gelieferten Produkt aufzuerlegen.

Diese Garantie verleiht Ihnen bestimmte gesetzliche Rechte, und Sie verfügen u. U. über weitere Rechte unter der nationalen Gesetzgebung des Landes, in dem dieses Produkt erworben wurde.



[www.peerlessmounts.com](http://www.peerlessmounts.com)

© 2008 Peerless Industries, Inc.