

SmartMount® Articulating Wall Arm

For 22" to 40" LCD Screens

MODELS

Universal Models:

Includes standard hardware (hex or Phillips) for attaching screen to mount

SA740P High gloss black
SA740P-S High gloss silver

SCREEN ADAPTER

VESA® pattern

Universal Models: 75, 100, 200 x 100 and 200 x 200 mm

SPECIFICATIONS

Distance from wall

3.3"-20.18" (84-513 mm)

Tilt | Swivel | Roll

+15/-5° | ±90° | ±5°

Max load

80 lb (36 kg)

Product Dimensions (W x H x D)

8.75"-12.75" x 8.75" x 3.3"-20.18"
(222-324 x 222 x 84-513 mm)

Mounting Surfaces

Wood stud, concrete, cinder block and metal stud
(Metal stud accessory required)

Ship Weight

8.45 lb (3.8 kg)

CERTIFICATIONS



ACCESSORIES



ACC919:
Security Fasteners pg# 132

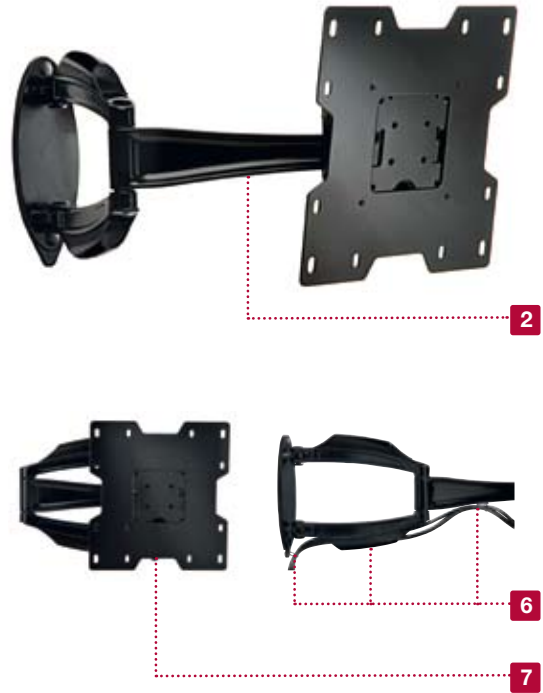


WSP700:
Metal Stud Wall Plate for 16" Center Metal Studs ... pg# 130



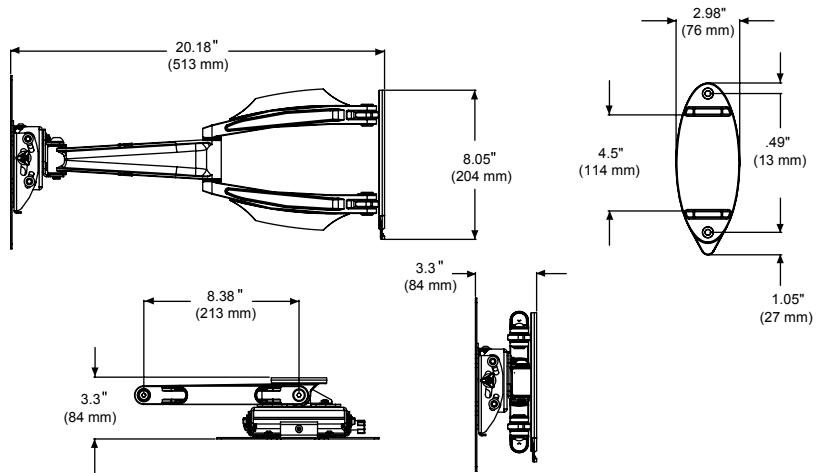
WSP701:
Metal Stud Wall Plate for 20" and 24" Center Metal Studs ... pg# 130

1. VESA® 75, 100, 200 x 100 and 200 x 200 mm compliant
2. Arm extends up to 20.18" (513 mm) from wall
3. One-touch tilt allows adjustment of +15/-5° without the use of tools
4. Up to ±90° of side-to-side swivel
5. ±5° of roll to level screen horizontally
6. Built-in cable management keeps cables and cords out of the way
7. Screen is centered on wall plate
8. Non-VESA® adapter plates also available



TECHNICAL DRAWINGS

For expanded product information and technical data visit www.peerlessmounts.com



To verify mount compatibility with any LCD, plasma or projector model use MountFinder™ at www.peerlessmounts.com



CLICK: www.peerlessmounts.com



CALL: 800.865.2112



FAX: 708.865.2941