

PT660

Universal Tilt Wall Mount

for 37" to 60" Displays

Easily install larger displays with this simple, intuitive mounting solution. Its simple three step installation combined with its tool-less tilt angle adjustment enables displays to be installed and adjusted quickly. Cables are easily managed behind the display with access ports in the wall plate. For perfect display positioning, center the display by smoothly sliding it along the horizontal rails of the wall plate.



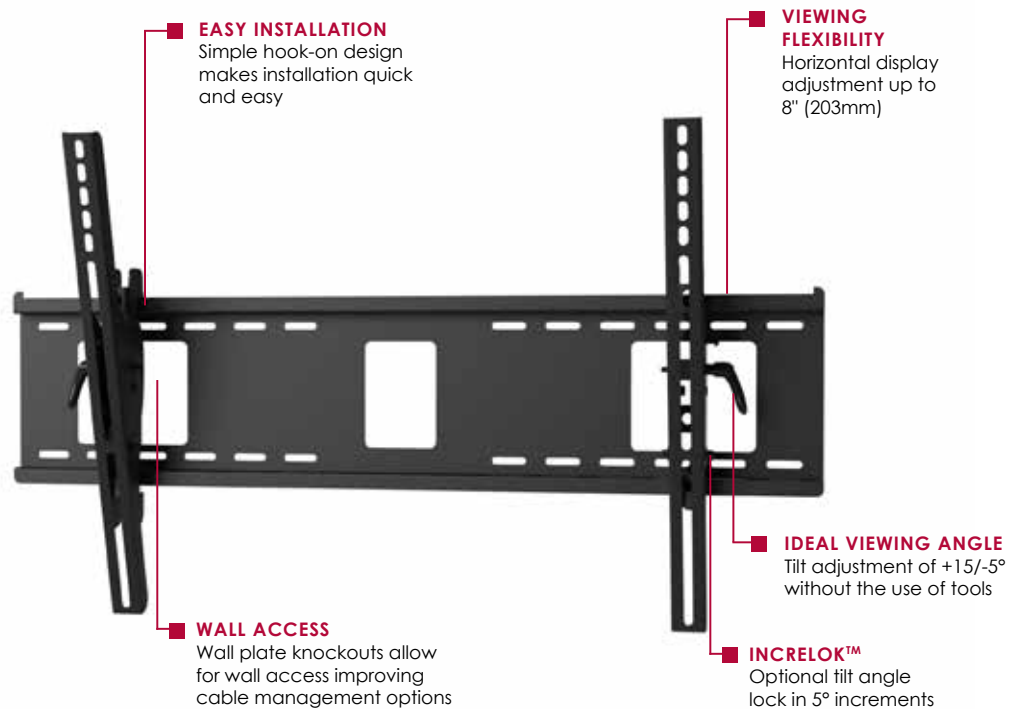
Display size: 37"-60"



Max load: 200lb (91kg)

FEATURES

- Universal mount accommodates displays with mounting hole patterns up to 738 x 449mm (29.04" W x 17.67" H)
- Adjustable up to 15° of forward tilt and up to -5° backward tilt for optimal viewing angle
- Easy-Grip™ handle locks the display position into place
- Wall access ports for easy access to electrical outlets and cable management
- Horizontal display adjustment of up to 8" (203mm) (depending on display model) for perfect display placement
- Mounts to wood studs, concrete, cinderblock or metal studs (metal stud accessory required)
- Comes with fastener pack with all necessary screen attachment hardware
- UL Listed



Tilt adjustment of +15/-5°

PT660	Universal Tilt Wall Mount for 37" to 60" Displays
--------------	---------------------------------------------------

Product Specifications

	DIMENSIONS (W x H x D)	PRODUCT WEIGHT	LOAD CAPACITY	FINISH	AVAILABLE COLORS
PT660	30.75" x 18.50" x 2.56"-5.64" (781 x 470 x 65-143mm)	9.6lb (4.4kg)	200lb (91kg)	Matte	Black

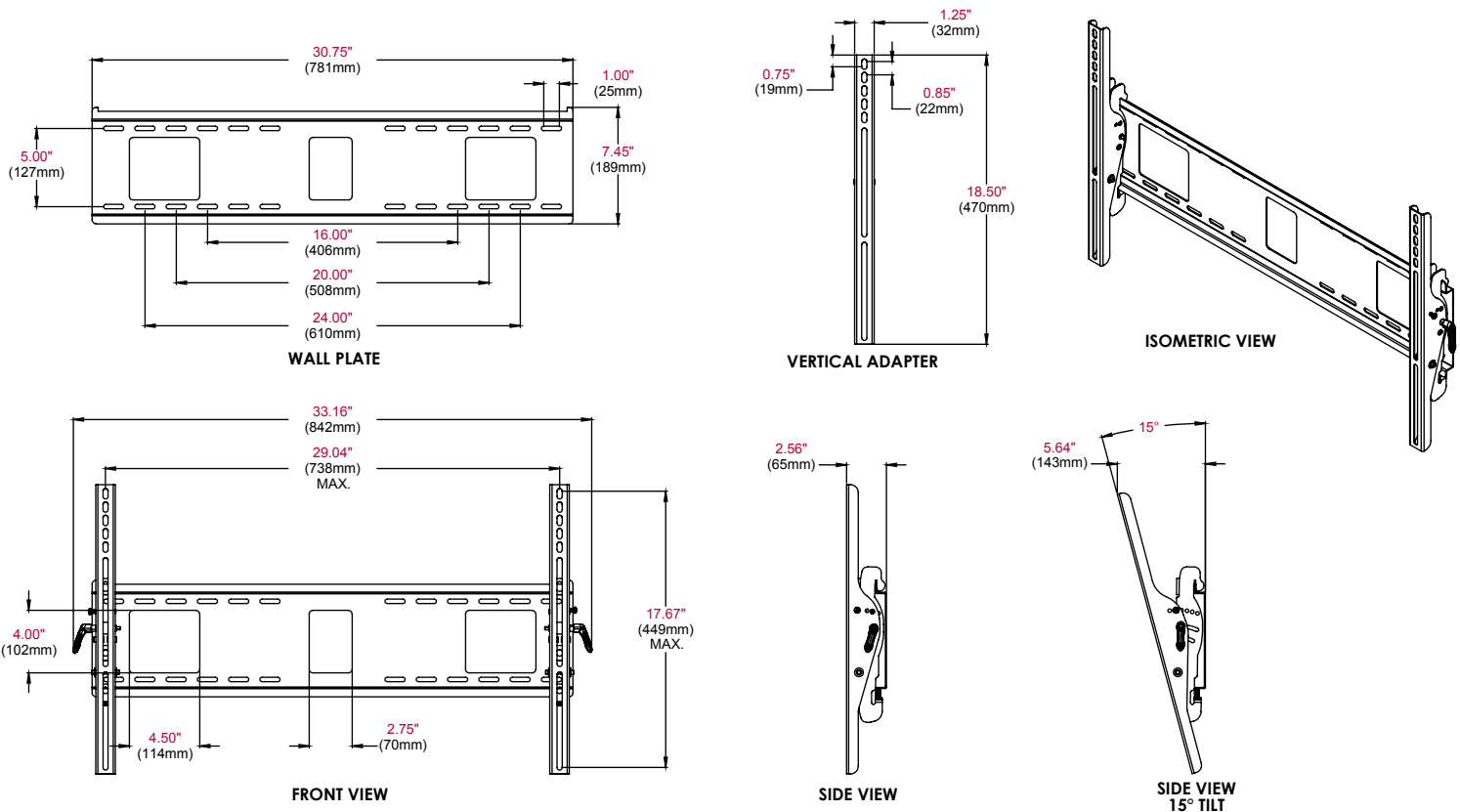
Package Specifications

	PACKAGE SIZE (W x H x D)	PACKAGE SHIP WEIGHT	PACKAGE UPC CODE	PACKAGE CONTENTS	UNITS IN PACKAGE
PT660	31.8" x 8.63" x 3.88" (808 x 219 x 99mm)	10.5lb (4.8kg)	735029254898	Wall plate, universal adaptors, mounting and display attachment hardware	1

Accessories

- ACC925:** Security Fasteners
- ACC415:** 4-pack Metal Stud Fastener Kit

All dimensions = inch (mm)



ARCHITECTS SPECIFICATIONS

The Universal Tilt Wall Mount shall be a Peerless-AV model PT660 and shall be located where indicated on the plans. Assembly and installation shall be done according to instructions provided by the manufacturer.

Peerless Industries, Inc. ■ 2300 White Oak Circle ■ Aurora, IL 60502 ■ (800) 865-2112 ■ (630) 375-5100 ■ Fax: (800) 359-6500 ■ peerless-av.com

Visit peerless-av.com to see the complete line of AV solutions from Peerless-AV, including flat panel mounts, projector mounts, carts/stands, furniture, cables, screen cleaners and a full assortment of accessories.