

HP455

Universal Desktop Swivel Mount

For 32" to 55" Flat Panel TVs

The HP455 Flat Panel Desktop Swivel Mount offers a secure, functional and sleek mounting solution for use with a variety of flat panel TVs in hospitality applications. This mounting solution features a unique adapter plate that works with a variety of VESA® compliant mounting hole patterns and comes with security screws to deter tampering and theft. A swivel range from 0° to 360° makes it a versatile desktop mount for any room configuration. Completing this mount is an internal cable management system and a decorative base that delivers a stylish, clean and clutter-free installation.



FEATURES

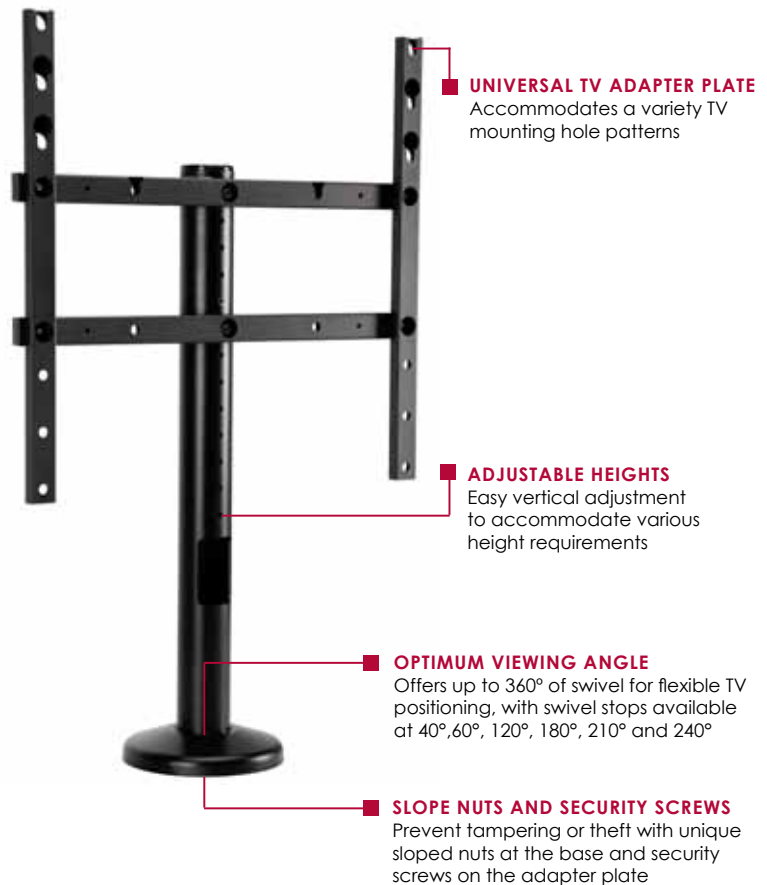
- Built-in swivel up to 360° allows for optimum viewing angle
- Base bolts down for safety and security
- Adjustable height allows for greater flexibility
- Cable management internally through the mount and down through the mounting surface
- Decorative base is aesthetically pleasing and hides desktop mounting hardware
- Built in VESA® adapter plate
- Includes security hardware that helps deter tampering and theft



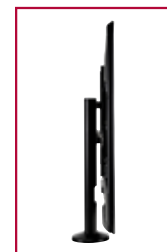
TV size: 32"-55"



Max load: 75lb (34kg)



Swivel stops



Height adjustable



Slope nut security
(shown without desktop surface)



RoHS **MADE IN USA**

CLICK: peerless-av.com

CALL: 800.865.2112

FAX: 800.359.6500

peerless-AV

Model Numbers

WARRANTY: Limited 5-year

HP455 Universal Desktop Swivel Mount for 32" to 55" Flat Panel TVs

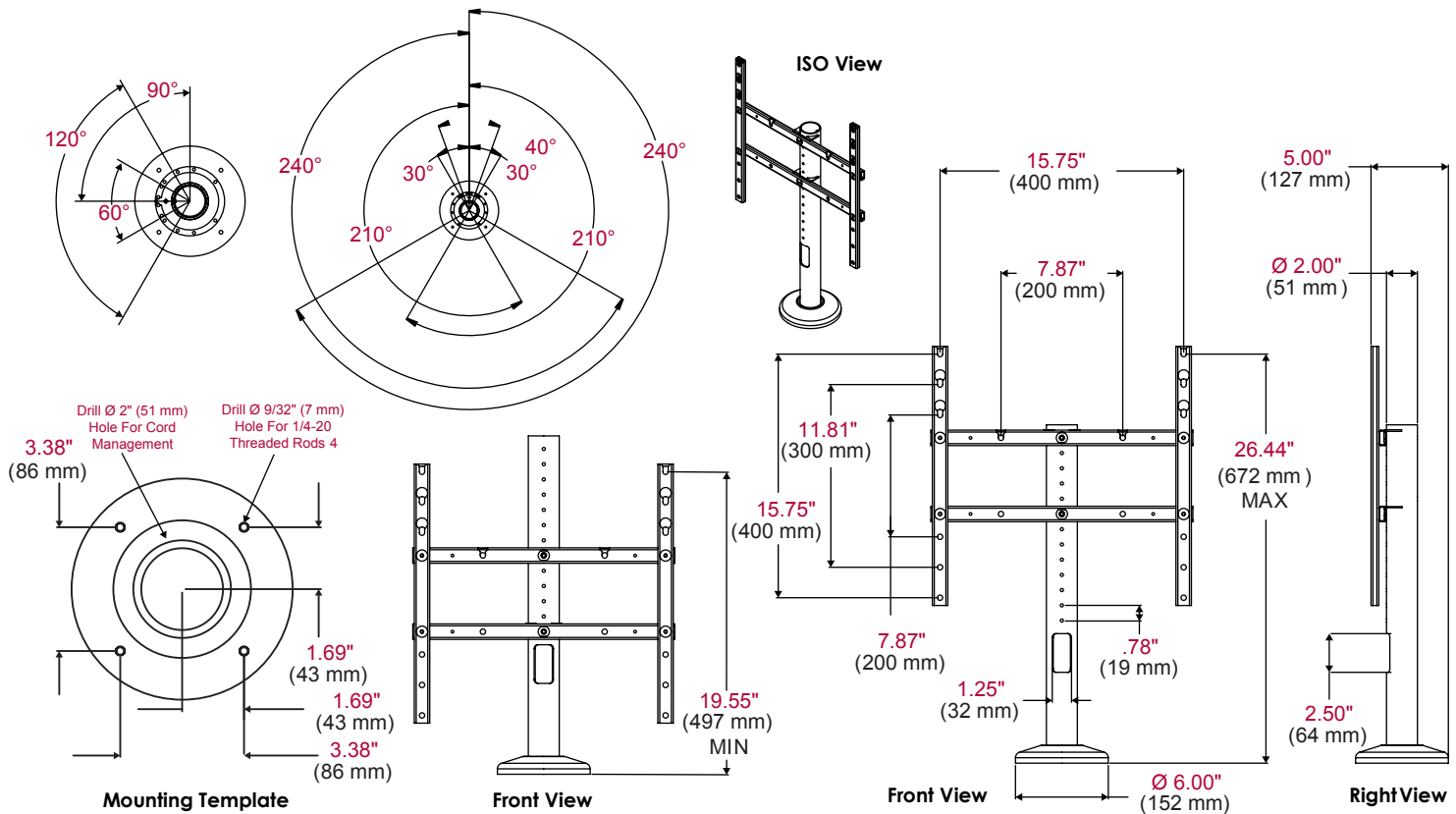
Product Specifications

	DIMENSIONS (W x H x D)	PRODUCT WEIGHT	LOAD CAPACITY	FINISH	AVAILABLE COLORS
HP455	17" x 27" x 6" (432 x 686 x 152mm)	9.3lb (4kg)	75lb (34kg)	Powder Coat	Black

Package Specifications

	PACKAGE SIZE (L x W x H)	PACKAGE SHIP WEIGHT	PACKAGE UPC CODE	PACKAGE CONTENTS	UNITS IN PACKAGE
HP455	31.75" x 8.50" x 3.75" (806 x 216 x 95mm)	11lb (5kg)	10735029291609	Base, pole, adapter brackets and mounting hardware	1

All dimensions = inch (mm)



ARCHITECTS SPECIFICATIONS

The Universal Desktop Swivel Mount shall be Peerless-AV model HP455 and shall be located where indicated on the plans. It shall be constructed of heavy gauge steel. The finish shall be scratch resistant black fused epoxy. Assembly and installation shall be done according to instructions provided by the manufacturer.

Peerless Industries, Inc. ■ 2300 White Oak Circle ■ Aurora, IL 60502 ■ (800) 865-2112 ■ (630) 375-5100 ■ Fax: (800) 359-6500 ■ peerless-av.com

Visit www.peerless-av.com to see the complete line of AV solutions from Peerless-AV, including flat panel mounts, projector mounts, carts/stands, furniture, cables, screen cleaners and a full assortment of accessories.