

FDS-3250

Desktop Swivel Mount

For 22" to 50" (56 to 127 cm) flat panel displays

The FDS-3250 flat panel desktop swivel mount is designed to provide security and functionality for installing flat-panel displays into hospitality applications. Using a decorative and secure metal-formed base stand, the FDS-3250 mount base stand attaches to a swivel rotation box with swivel stop options at 40° or 60°, or the option to lock the swivel in place at 0°. Completing the mount is an internal cable management system through the mount down through the desktop surface delivering a stylish, clean and clutter-free installation. A large variety of display sizes, makes and models are compatible with virtually any VESA hole pattern using a dedicated adapter plate.*

* Contact your Peerless Customer Care Representative for details on specific PLP Adapter Plate required for mount-display compatibility.



TV size: 22"-50" (56-127 cm)



Max load: 150 lb (68 kg)

FEATURES

- Built-in swivel options at 40° and 60° allows for a variety of viewing angles
- Simple metal base stand bolts down for safety and security
- Decorative base is aesthetically pleasing and hides desktop mounting hardware
- Adapter box attaches to the back of the display adapter plate and easily slides over the top of the mount for quick installation
- Cable management internally through the mount and down through the mounting surface
- Works with almost any display with a dedicated VESA® adapter plate (sold separately)
- Security screws prevent tampering and theft

QUICK INSTALLATION

Swivel box attaches to the back of the display adapter plate and easily slides over the top of the mount for quick installation

SECURITY SCREWS

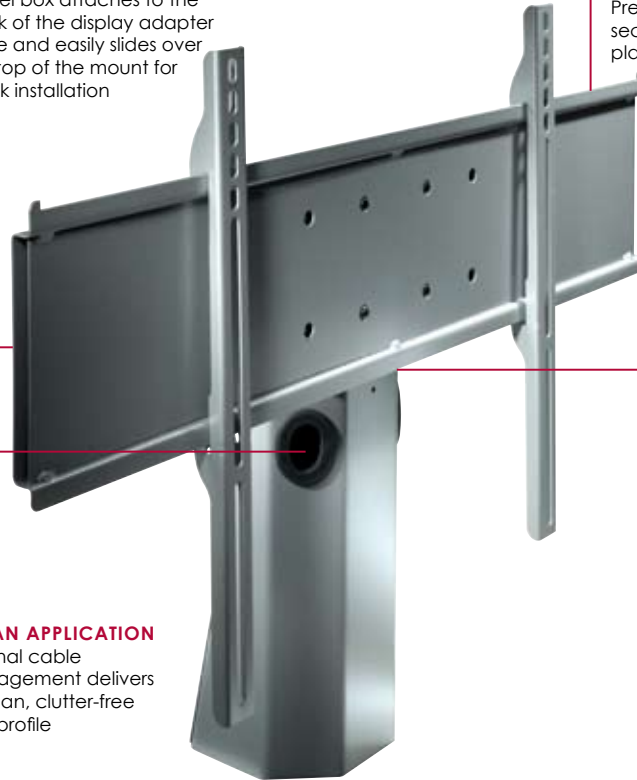
Prevent tampering or theft with security screws on the adapter plate attaching to the display

CLEAN APPLICATION

Internal cable management delivers a clean, clutter-free side profile

ADJUSTABLE VIEWING ANGLES

Built-in swivel options at 40° and 60° allows for a variety of viewing angles



Cable management through the base of the mount



Compatible with universal and dedicated VESA® mounting adapter plates



Model Numbers

WARRANTY: Limited 5-year

FDS-3250 For 22" to 50" (56 to 127 cm) flat panel displays

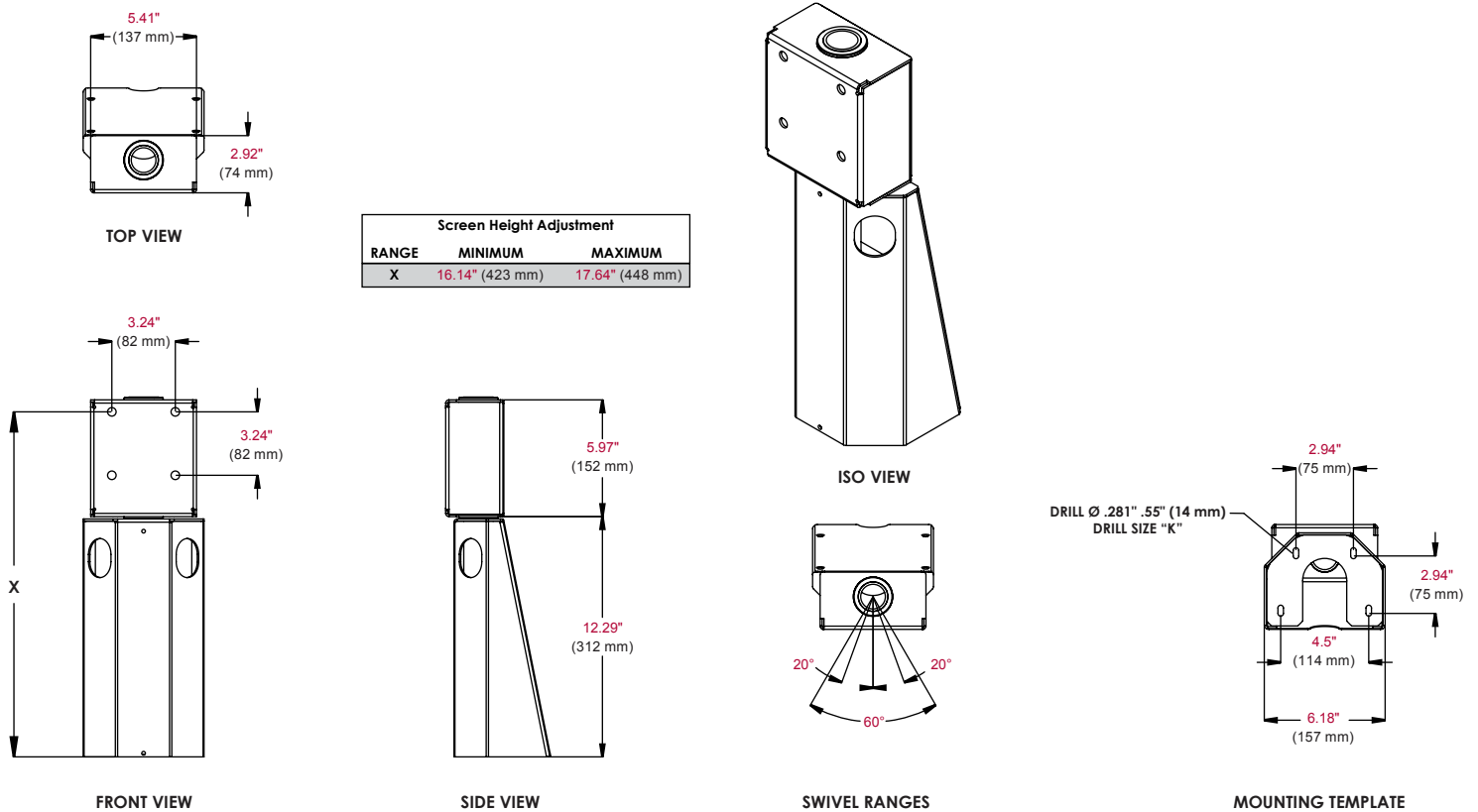
Product Specifications

	DIMENSIONS (W x H x D)	PRODUCT WEIGHT	LOAD CAPACITY	FINISH	AVAILABLE COLORS
FDS-3250	6.2" x 18.4" x 5.3" (157 x 467 x 135 mm)	13 lb (5.9 kg)	150 lb (68 kg)	Scratch resistant fused epoxy	Black

Package Specifications

	PACKAGE SIZE (L x W x H)	PACKAGE SHIP WEIGHT	PACKAGE UPC CODE	PACKAGE CONTENTS	UNITS IN PACKAGE
FDS-3250	9.75" x 5.625" x 19.375" (248 x 143 x 492 mm)	14.1 lb (6.4 kg)	735029243120	Base stand and cover, rotation box and cover, fastener packet	1

All dimensions = inch (mm)



ARCHITECTS SPECIFICATIONS

The Flat Panel Desktop Swivel Mount shall be a Peerless model FDS-3250, FDS-3250-S and shall be located where indicated on the plans. It shall be constructed of heavy gauge cold rolled steel and feature scratch resistant black or silver fused epoxy finish. Assembly and installation shall be done according to instructions provided by the manufacturer.