

Installation and Assembly - Flat Panel Desktop Swivel Mount

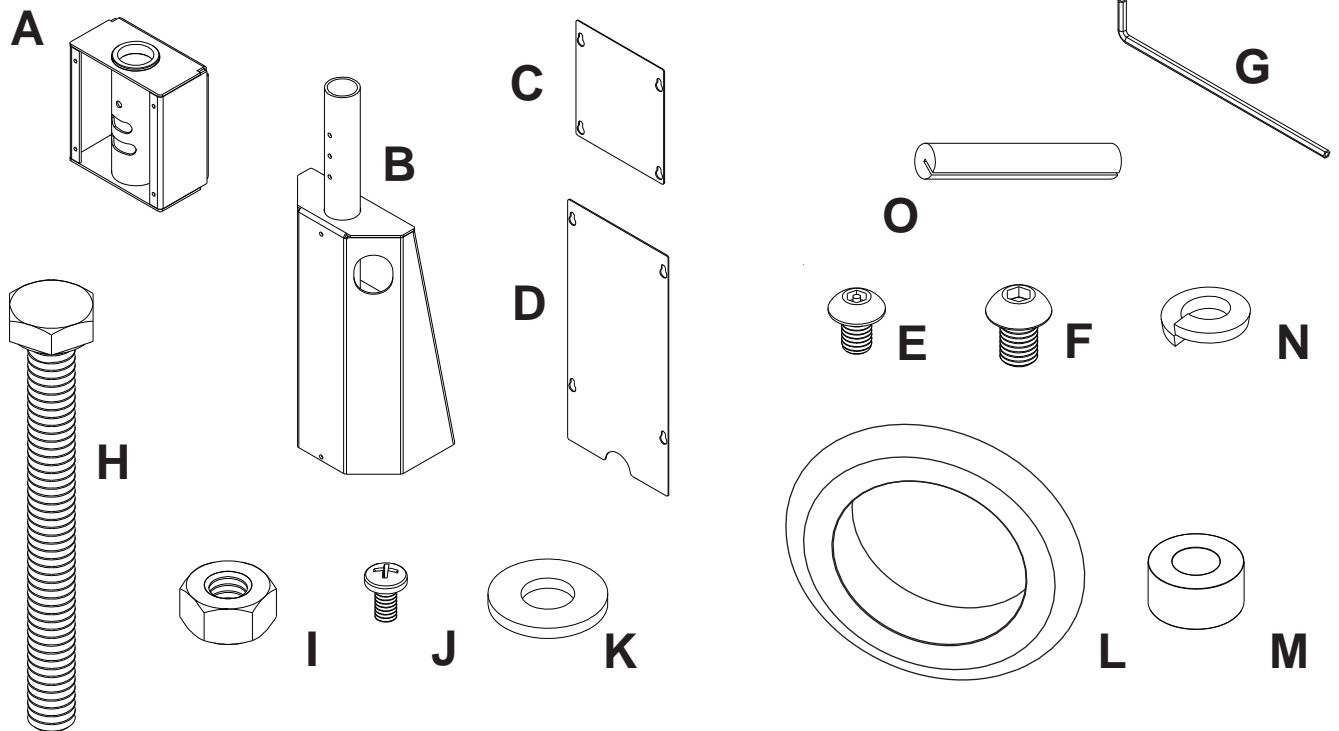
Model: FDS-3250
FDS-3250-S

IMPORTANT! Read entire instruction sheet before you start installation and assembly.

Parts List

Note: Some parts may appear slightly different than illustrated.

DESCRIPTION	QTY.	FDS-3250	FDS-3250-S
		Part No.	Part No.
A rotation box	1	090-1312	090-4312
B base	1	090-1303	090-4303
C rotation box cover	1	090-1304	090-4304
D base cover	1	090-1305	090-4305
E M5 x 10 mm socket pin screw	8	520-1164	520-2031
F M10 x 15 mm screw bolt	4	520-9262	520-9262
G 4 mm security allen wrench	1	560-9646	560-9646
H 1/4 x 2.5" screw bolt	4	520-1322	520-1322
I 1/4 hex nut	4	530-9302	530-9302
J 1/4-20 x 1/2" screw bolt	1	510-9108	510-9108
K 1/4" flat washer	8	540-9440	540-9440
L rubber grommet	2	560-1168	560-1168
M 1/2" spacer	1	590-1050	590-1050
N split washer	4	540-9402	540-9402
O rubber edge trim	1	560-1169	560-1169

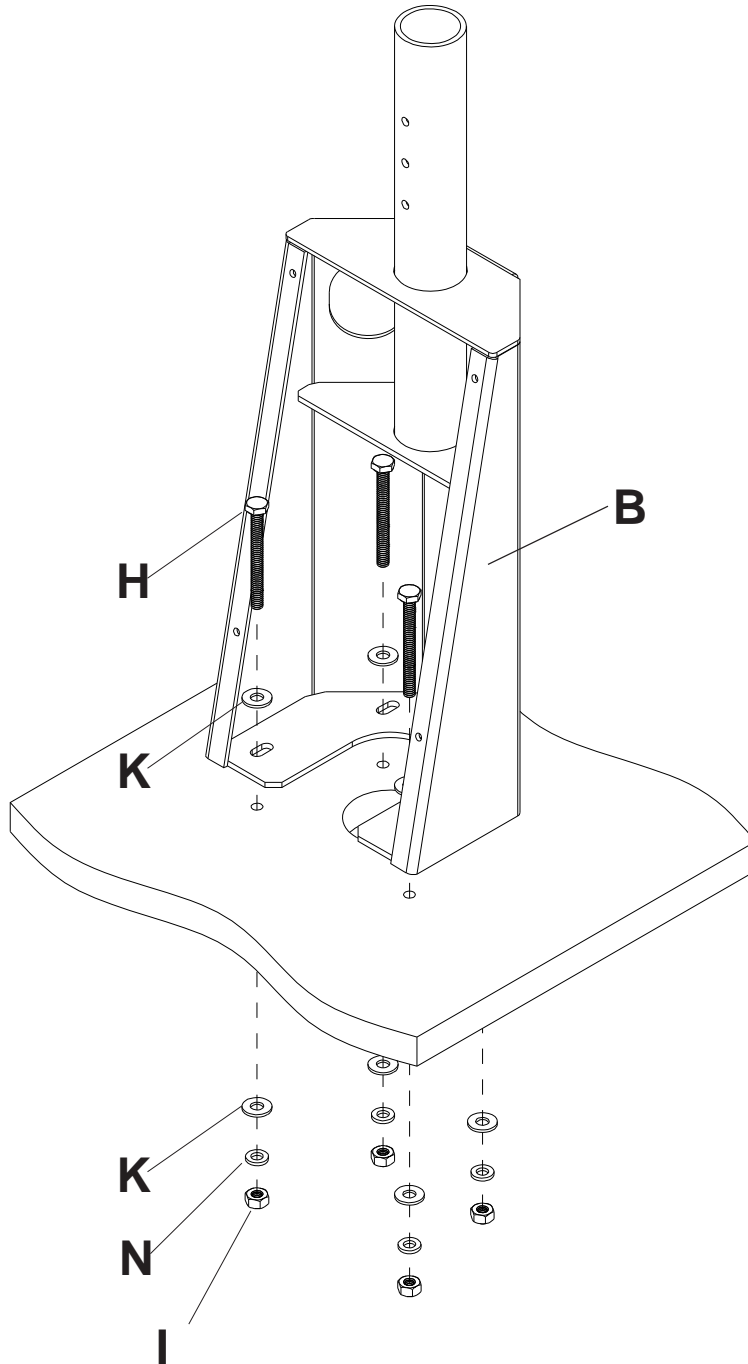


Before you start make sure all parts listed are included with your product.

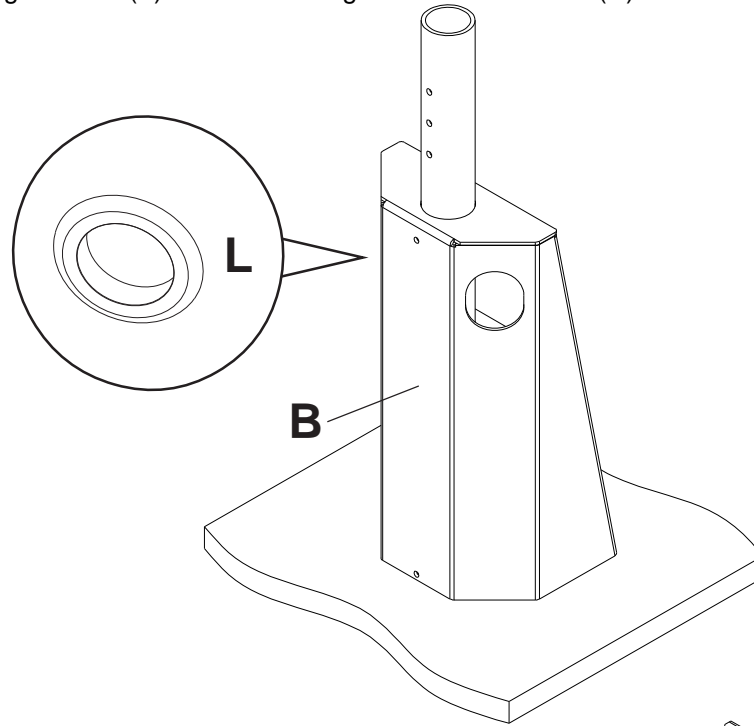
- 1** Attach base (**B**) to desktop using four 1/4 x 2.5" screw bolts (**H**), eight 1/4" flat washers (**K**), four split washers (**N**), and four 1/4 hex nuts (**I**) as shown below.

⚠ WARNING

- Installer must verify that the mounting surface is a minimum of 3/4" (19 mm) thick.



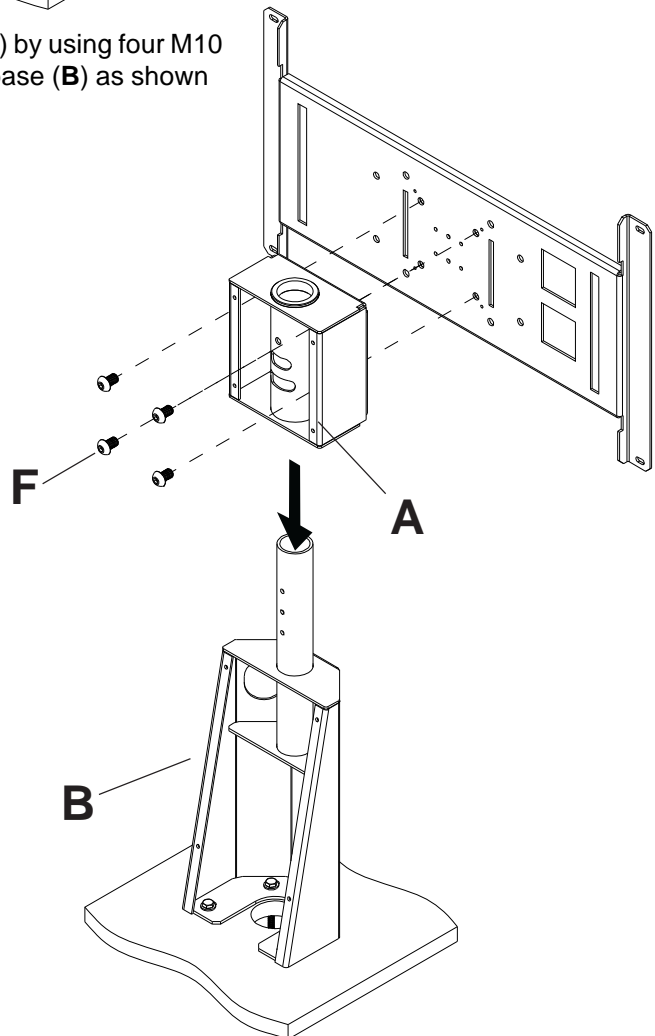
2 Insert rubber grommets (**L**) into cord management holes in base (**B**) as shown below.



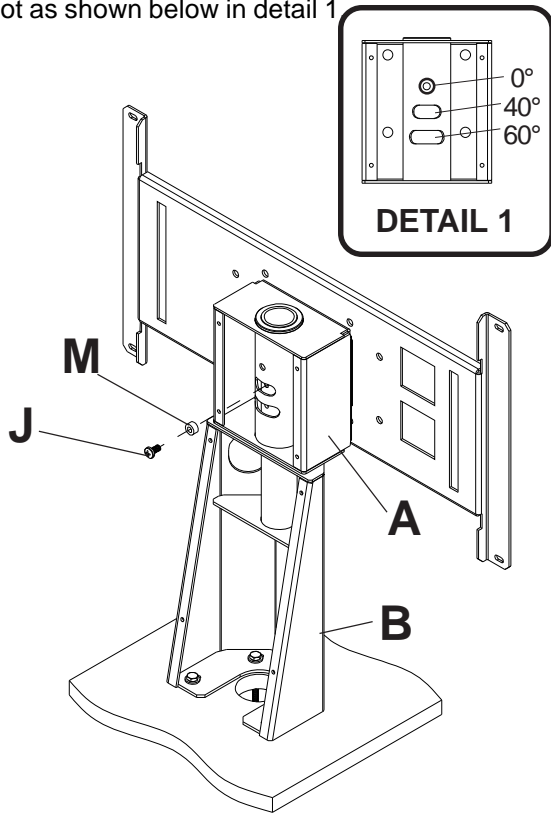
3 Attach adapter plate (not included) to rotation box (**A**) by using four M10 x 15 mm screw bolts (**F**). Attach rotation box (**A**) to base (**B**) as shown below.

Note: See adapter plate instructions on how to attach adapter plate to screen.

Note: Plastic bushing may come loose during shipment. Bushing may need to be re-inserted for proper function of the product.

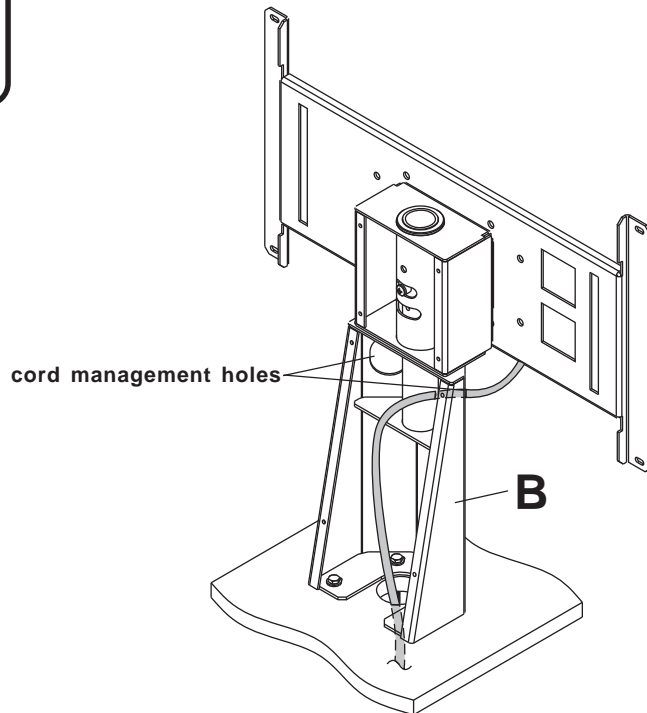


- 4** To restrict swivel insert one 1/4-20 x 1/2" screw bolt (**J**) and one 1/2" spacer (**M**) into appropriate slot as shown below in detail 1.



- 5** Run cords from screen through cord management holes in base (**B**) as shown below.

Note: In order to run cords through cord management hole, there must be a hole cut into the desktop to allow the cords to exit the mount.



- 6** Pre-install eight M5 x 10 mm socket pin screws (**E**) in rotation box (**A**) and base (**B**) leaving 1/8" thread exposed as shown in detail 2. Hook keyhole slots of rotation box cover (**C**) and base cover (**D**) over exposed thread of screws. Tighten all eight M5 x 10 mm socket pin screws (**E**) with security allen wrench (**G**). Attach rubber edge trim (**O**) to base cover (**D**).

