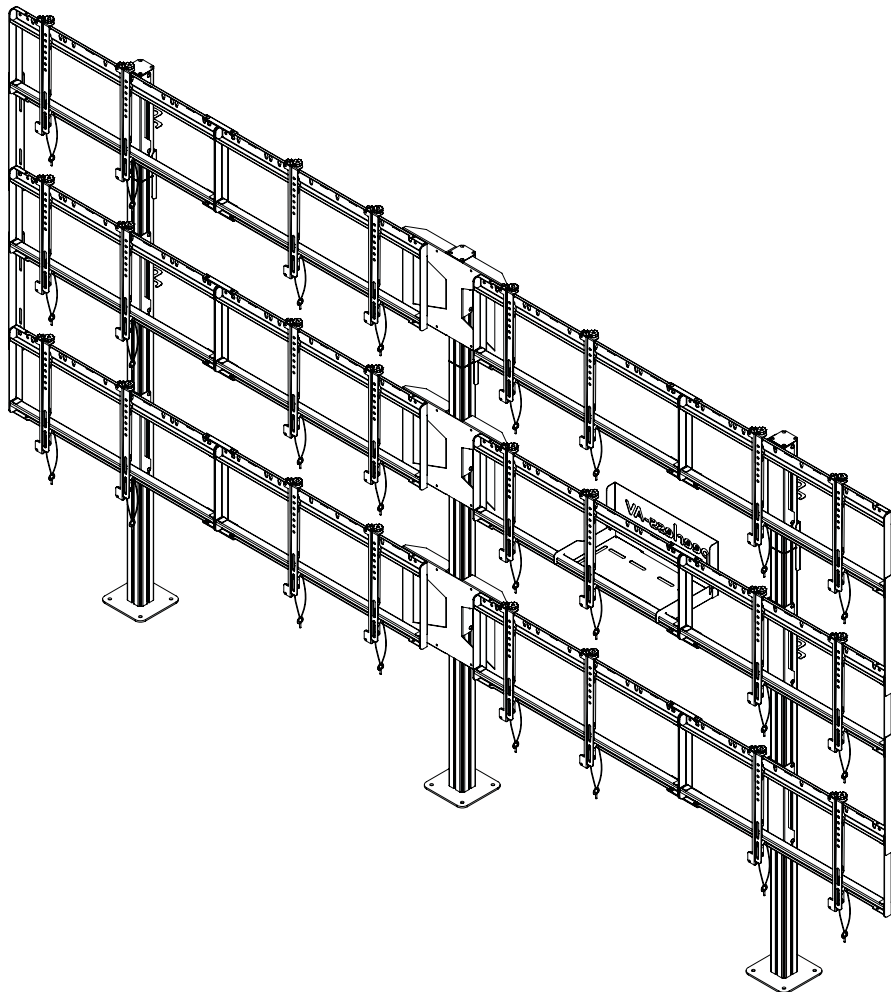
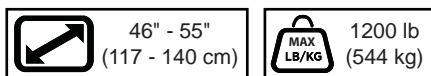


# peerless-AV<sup>®</sup>

## DS-S555-4X3



This page intentionally left blank.

# ▲ WARNING

ENG - This product is designed to be installed on solid concrete. Hardware is included for solid concrete installation. Before installing make sure the supporting surface will support the combined load of the equipment and hardware. Screws must be tightly secured. Do not overtighten screws or damage can occur and product may fail. Never exceed the Maximum Load Capacity. Always use an assistant or mechanical lifting equipment to safely lift and position equipment. This product is intended for indoor use only. Use of this product outdoors could lead to product failure or personal injury. Be careful not to pinch fingers when operating the mount. For support please call customer care at 1-800-865-2112.

## ENG Symbols



ENG WARNING



Heavy



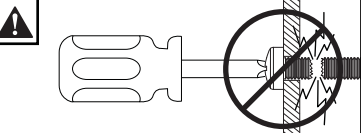
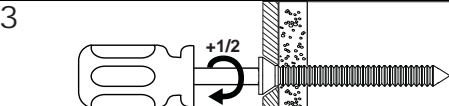
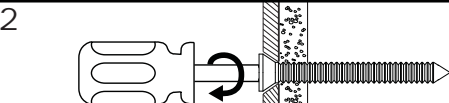
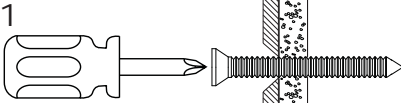
ENG Display center.



ENG Screws must get at least three full turns and fit snug.

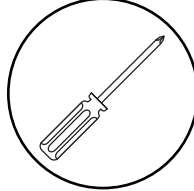
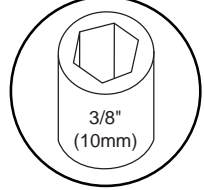
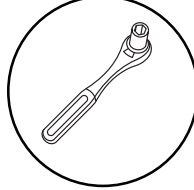
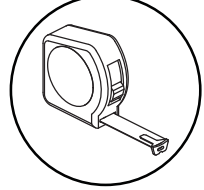
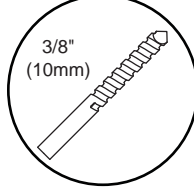
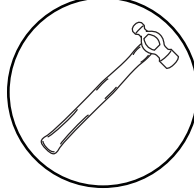
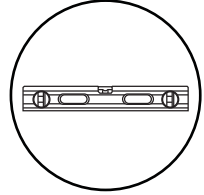
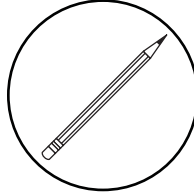


To properly tighten screws: Tighten until screw head makes contact, then tighten another 1/2 turn. Do not overtighten screws.



ENG Do not overtighten screws.

## ENG Tools Needed for Assembly.



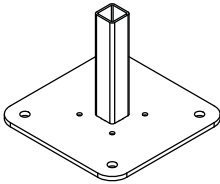
Parts (Before beginning, make sure you have all parts shown below).

## Parts List

Description	Qty	Part #
<b>A</b> pedestal	3	146-T1132
<b>B</b> column	3	146-T1131
<b>C</b> extension	3	145-T1778
<b>D</b> cover	3	145-T1809
<b>E</b> adaptor bracket	24	145-T1792
<b>F</b> side support bracket	4	145-T1807
<b>G</b> vertical support bracket	6	145-T1806
<b>H</b> computer cover	1	145-T1930
<b>I</b> computer shelf	1	145-T1931
<b>J</b> dual cross support	6	145-T1924
<b>K</b> extension adaptor	3	145-T1935
<b>L</b> cord bracket	6	146-T1321
<b>M</b> bracket, 4x2 configuration	3	145-T1858
<b>N</b> knurled knob	6	560-1160
<b>O</b> M8 x 16mm socket button screw	140	520-9527
<b>P</b> M8 square nut	56	530-1066
<b>Q</b> cover clip	12	590-0317
<b>R</b> M5 x 10mm type-f, socket pin screw	26	520-1164
<b>S</b> 1/4" power bit	1	560-0263
<b>T</b> bar nut	6	146-1319
<b>U</b> 5mm allen wrench	1	560-9640
<b>V</b> nylon shoulder washer	48	590-2233
<b>W</b> M6 x 12mm socket pin screw	48	520-1050
<b>X</b> 4mm allen wrench	1	560-9646
<b>Y</b> M6 x 35mm screw	12	520-0717
<b>Z</b> rawl bolt #6913	12	5M9-381-H03

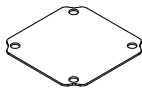
**A (3)**

pedestal



**D (3)**

cover



**E (24)**

adaptor bracket



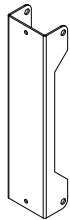
**F (4)**

side support bracket



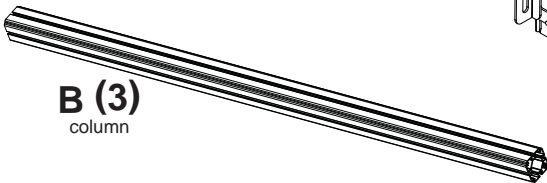
**G (6)**

vertical support bracket



**B (3)**

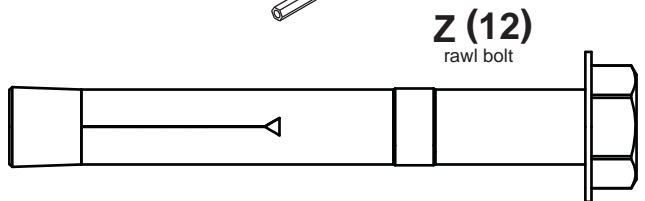
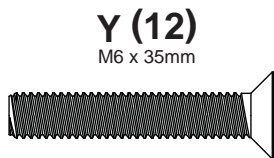
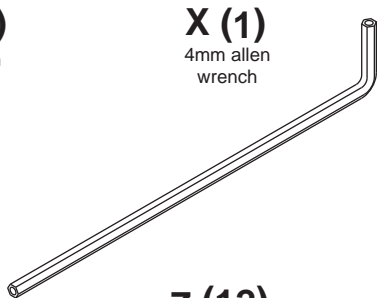
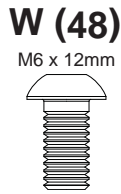
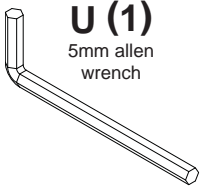
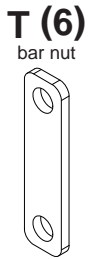
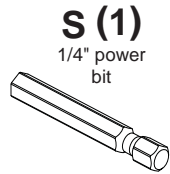
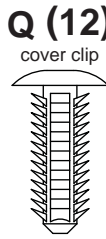
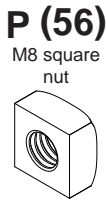
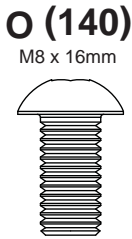
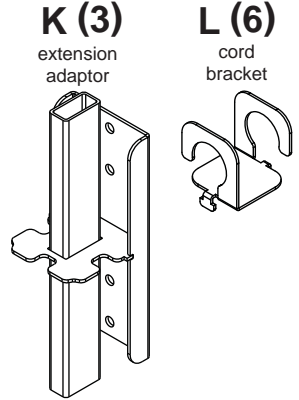
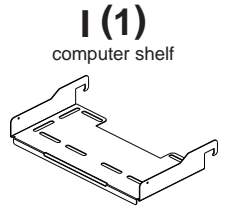
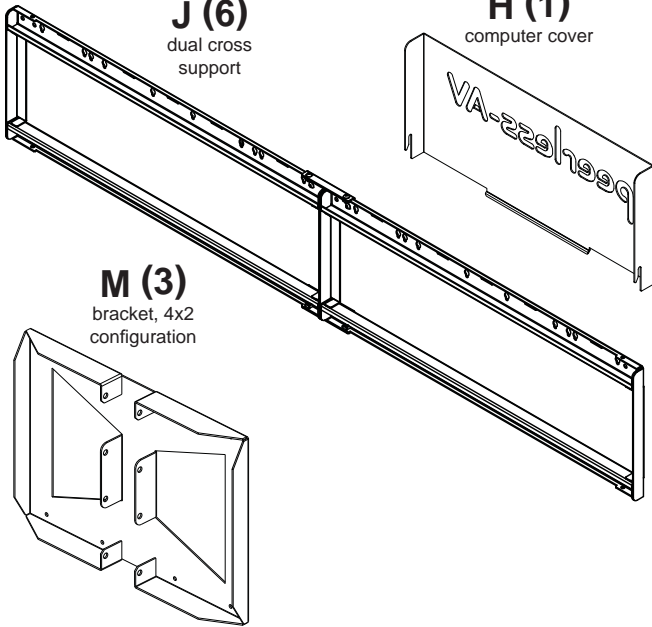
column



**C (3)**

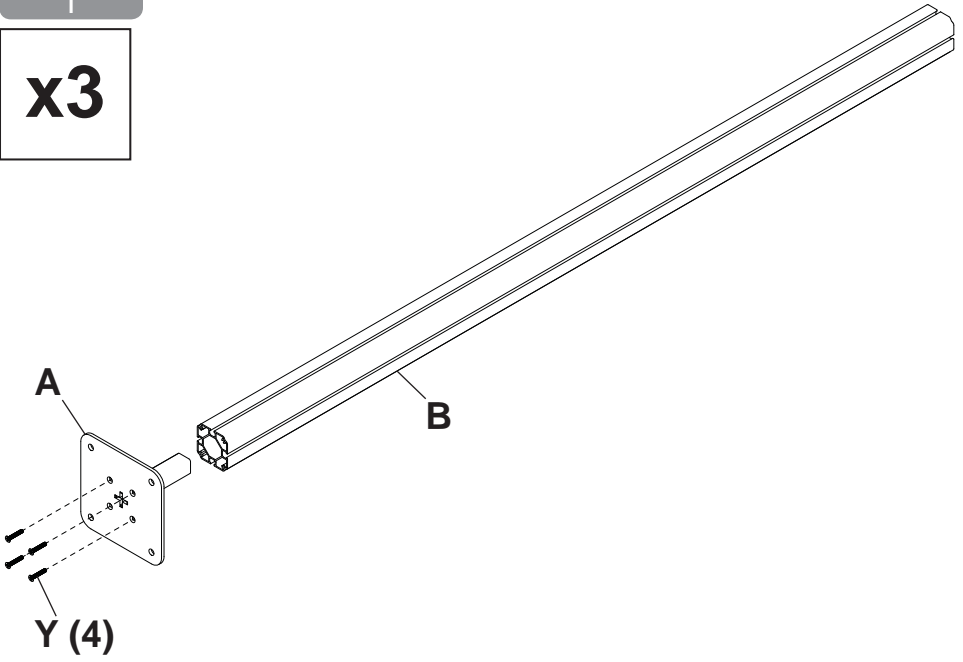
extension





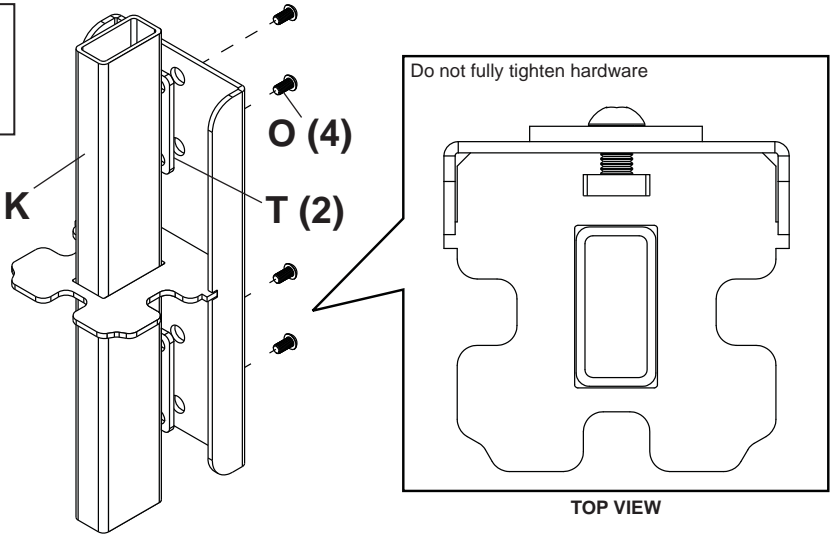
1

x3

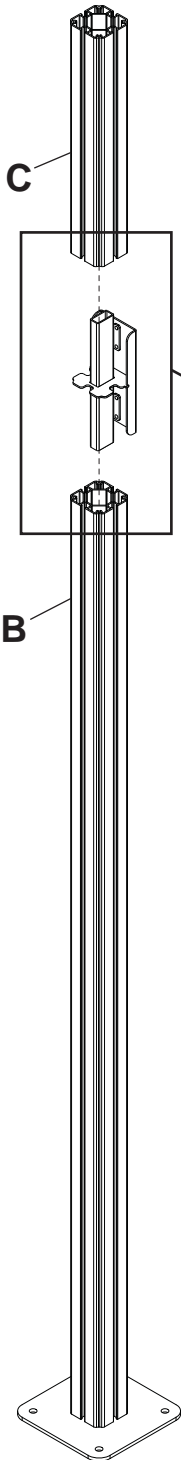


2-1

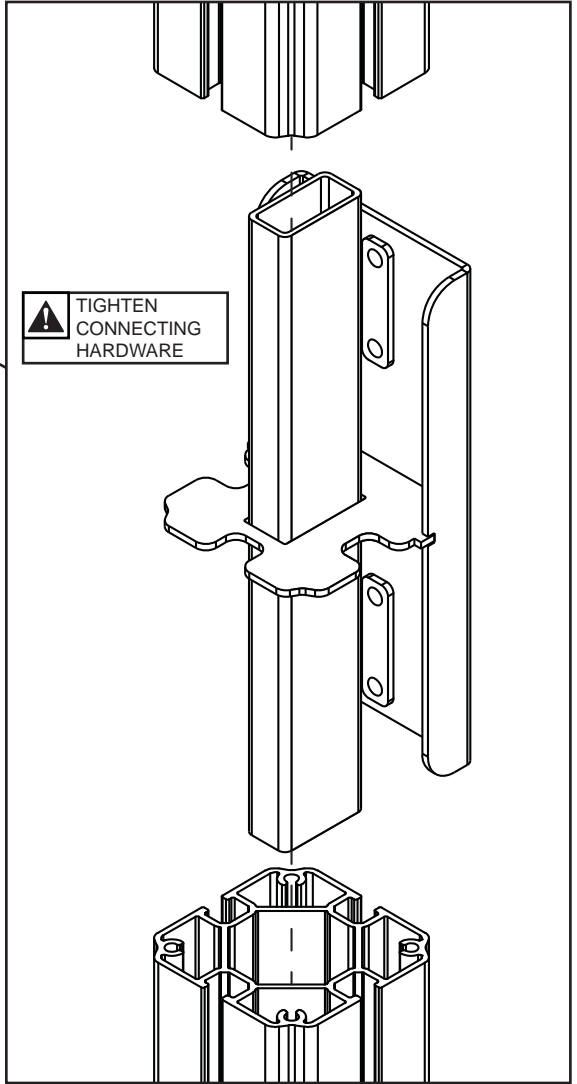
x3



x3

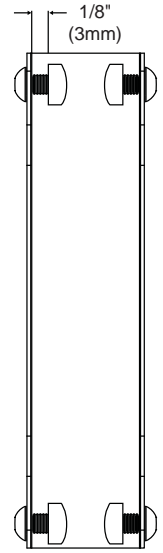
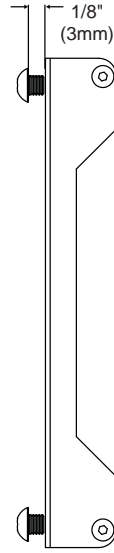
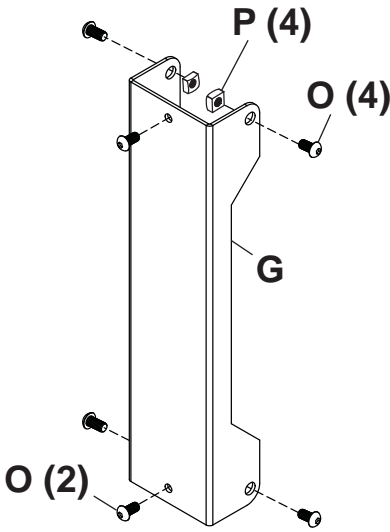


 TIGHTEN  
CONNECTING  
HARDWARE



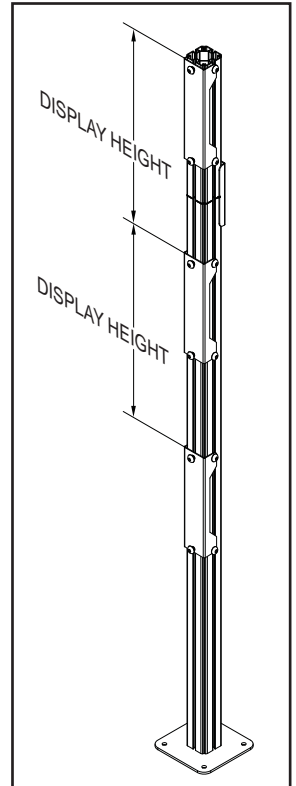
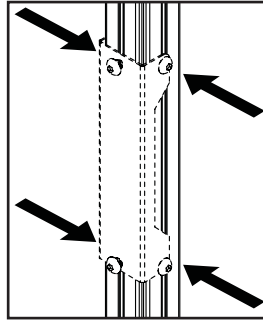
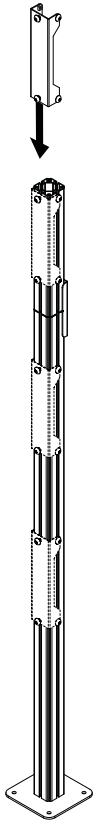
3-1

x6



3-2

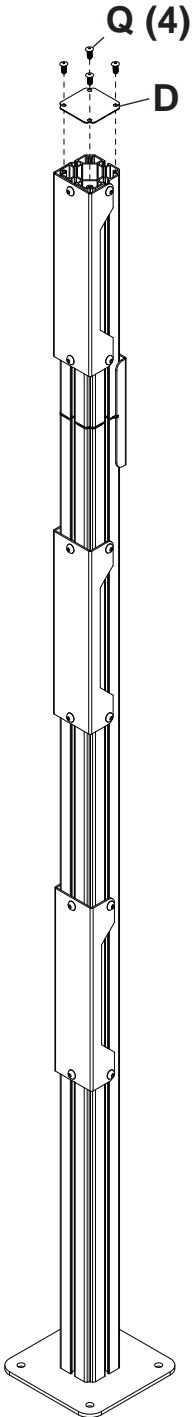
x2





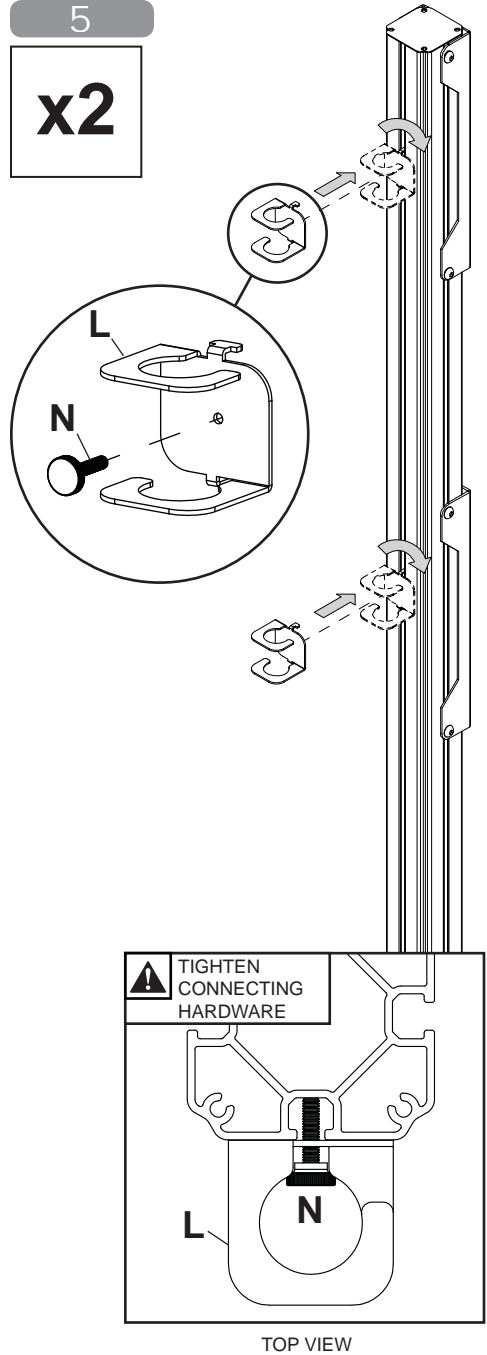
4

x2



5

x2

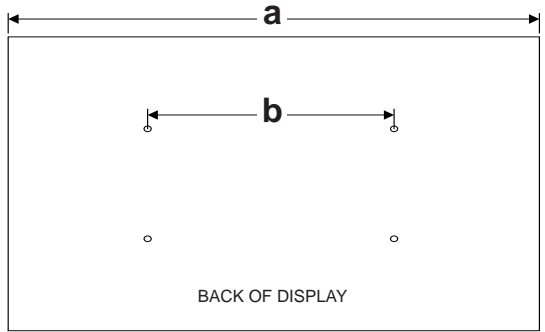


# 6-1

Use metric formula below and diagram to right to determine hole pattern required for center vertical support bracket.

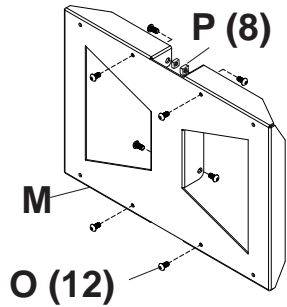
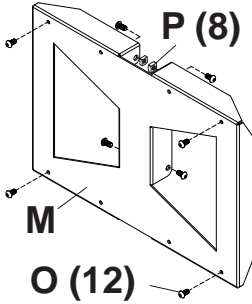
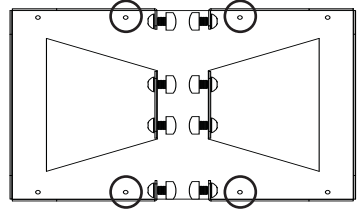
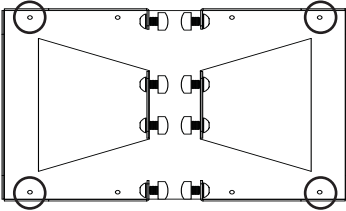
All dimensions are metric.

**x3**

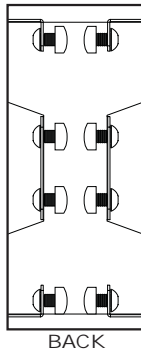
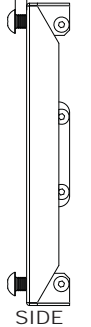


Use the outside mounting holes when...  
 $a \times 4 > 4368\text{mm}$  and  $a \times 3 + b < 4318\text{mm}$

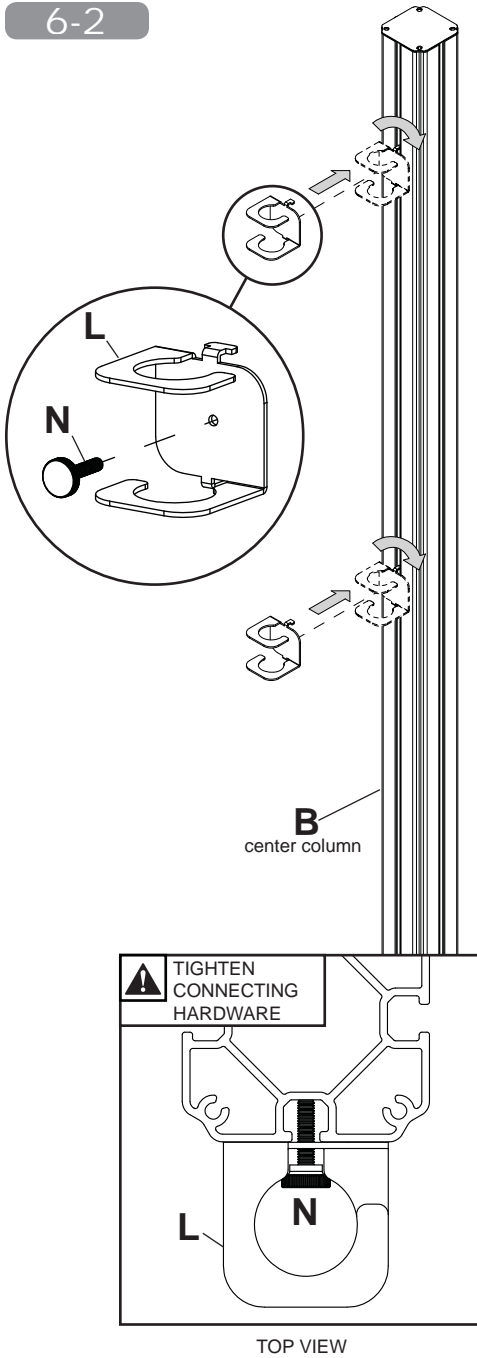
Use the inside mounting holes when...  
 $a \times 4 > 4098\text{mm}$  and  $a \times 3 + b < 4064\text{mm}$



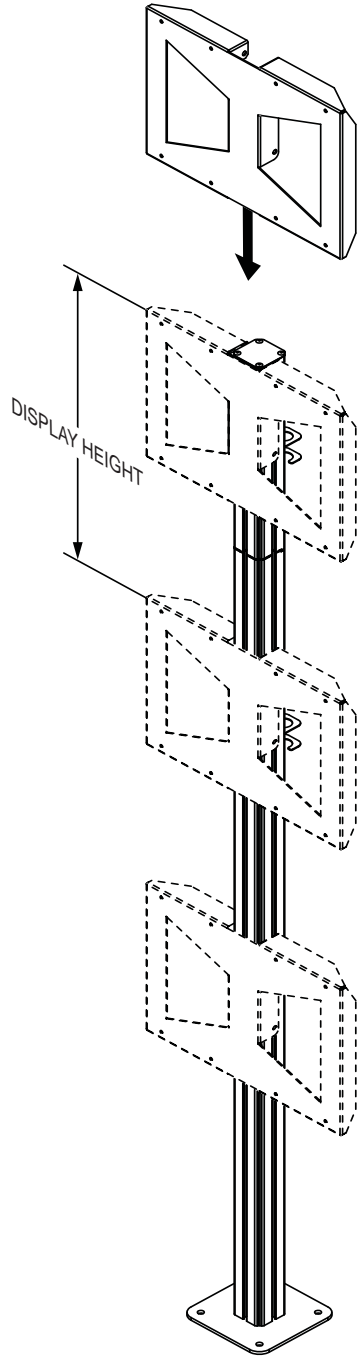
1/8"  
(3mm)



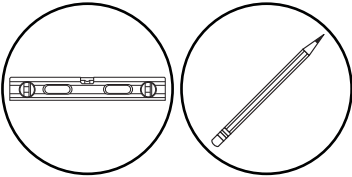
6-2



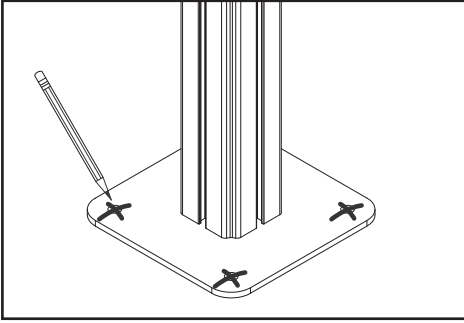
6-3



## 7-1

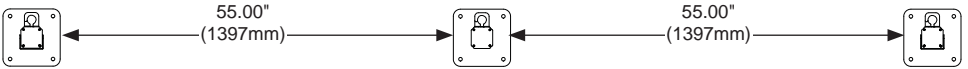
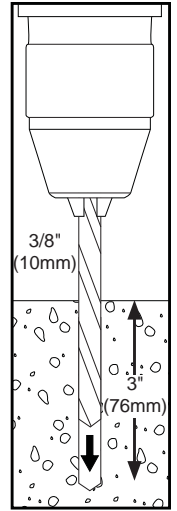
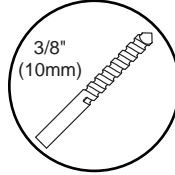


**ENG** Align base. Mark mounting holes.

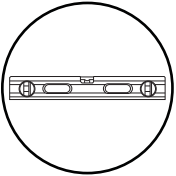
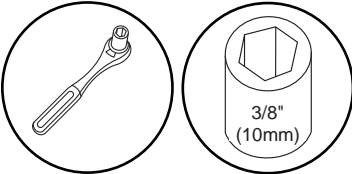


## 7-2

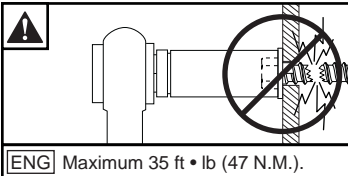
**ENG** Drill mounting holes into supporting surface (3" (76mm) minimum depth required).



## 7-3

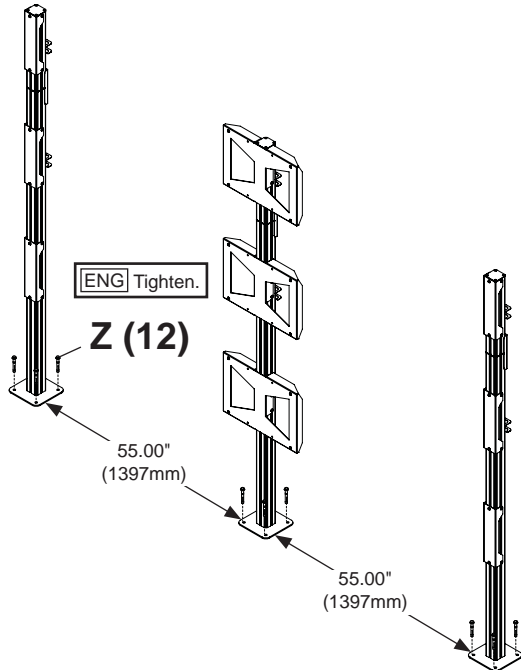


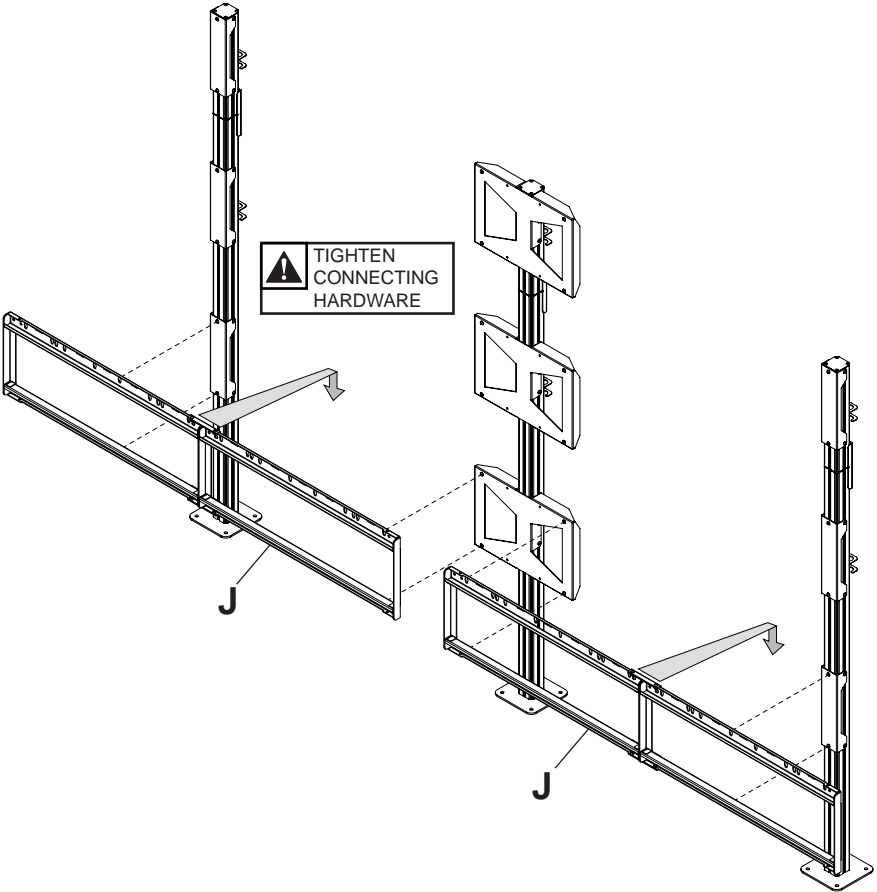
**ENG** Align base. Install using concrete anchors provided.

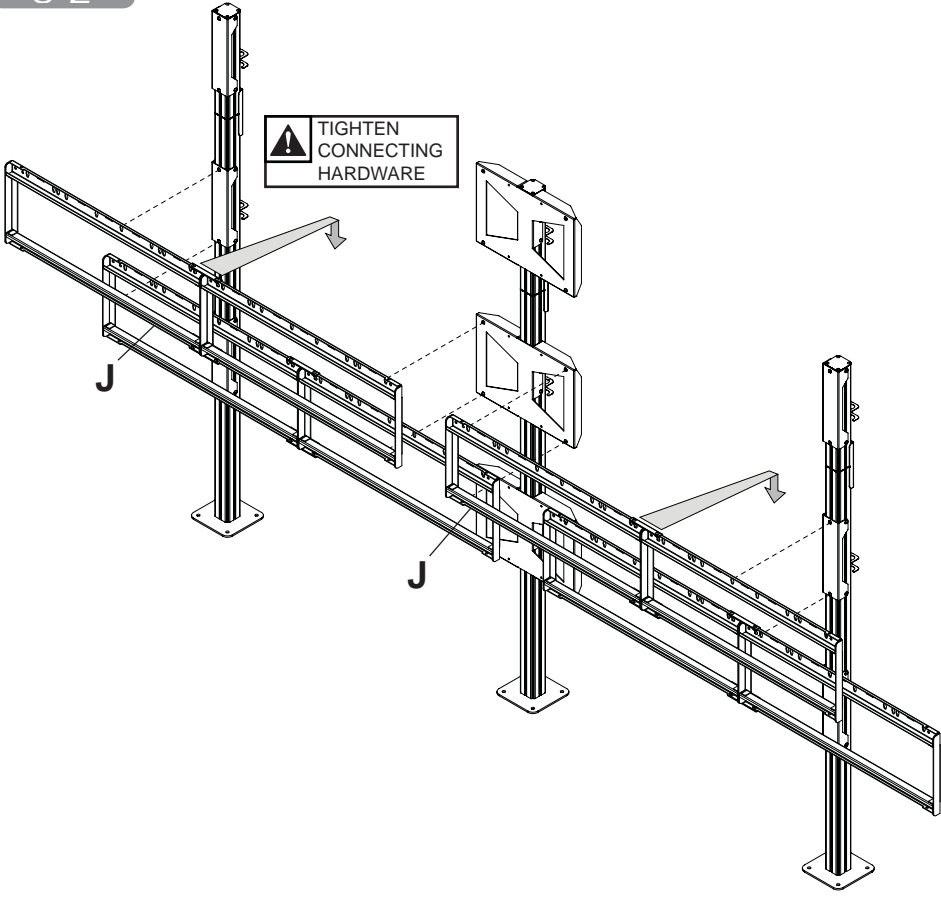


**ENG** Tighten.

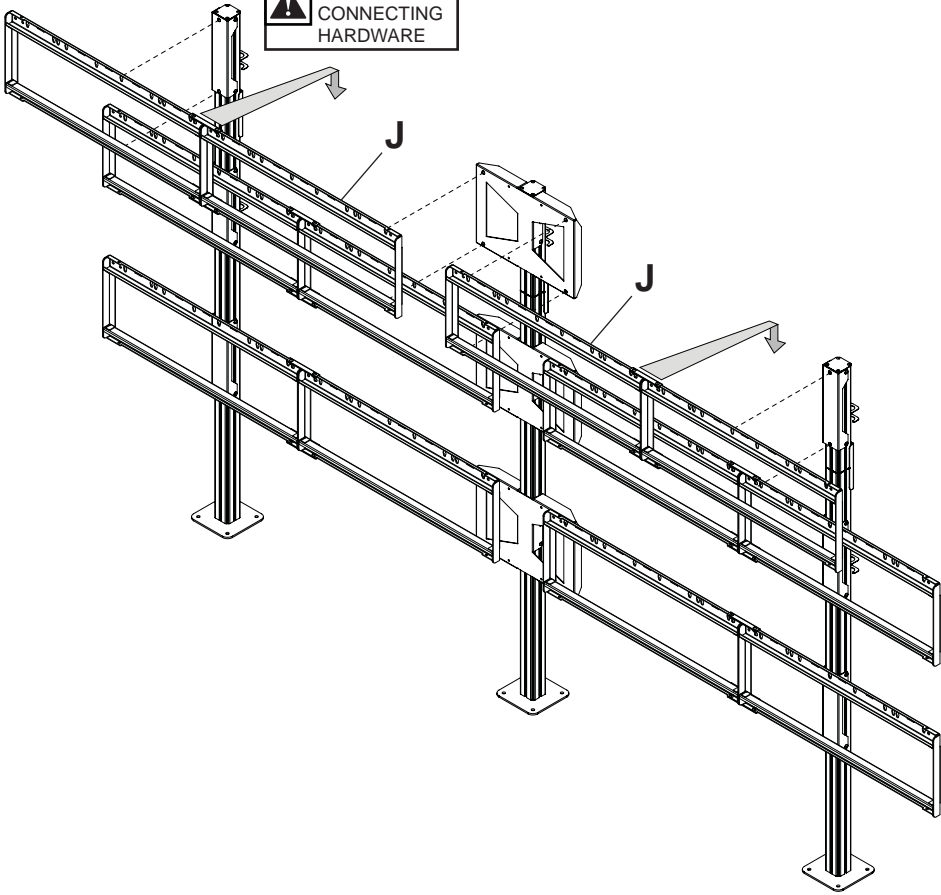
**Z (12)**

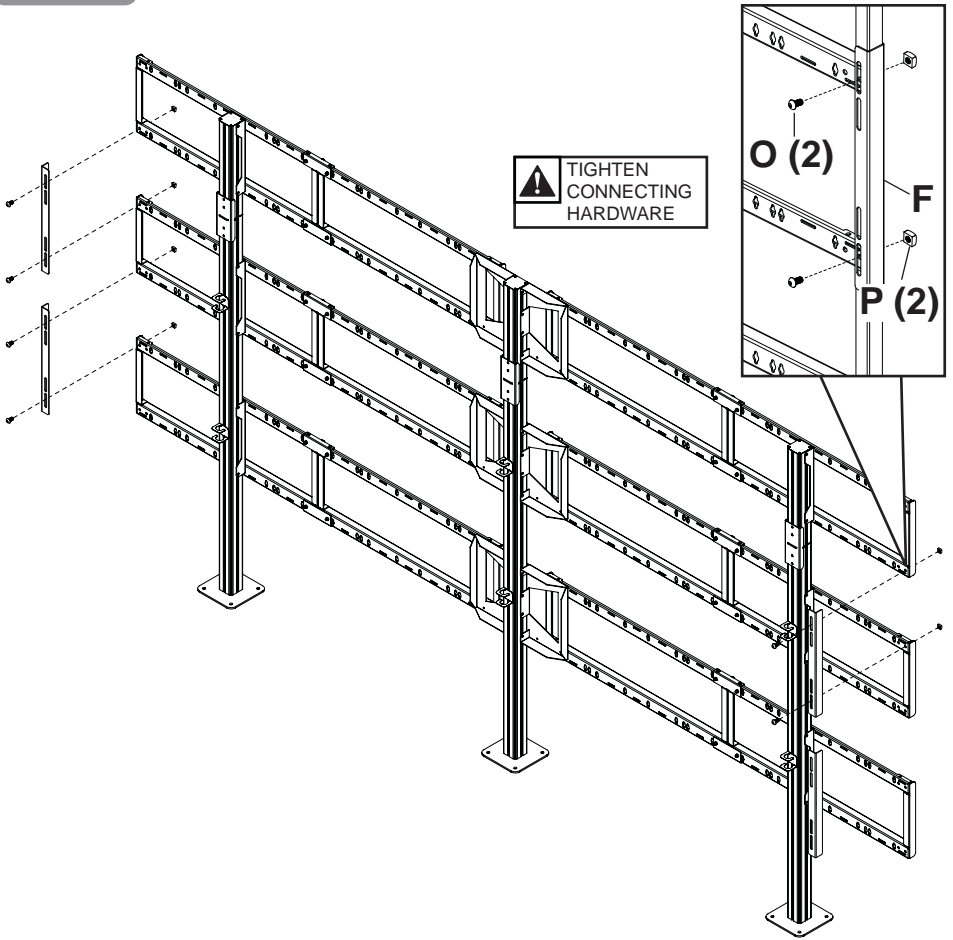






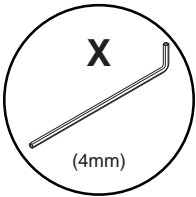
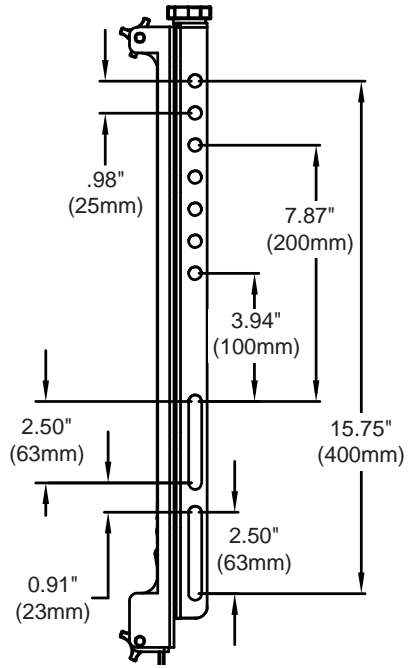
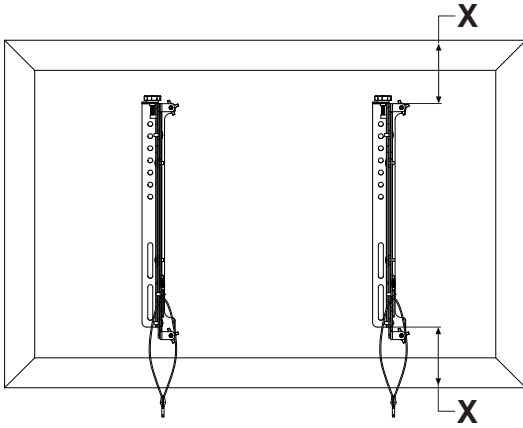
 TIGHTEN  
CONNECTING  
HARDWARE





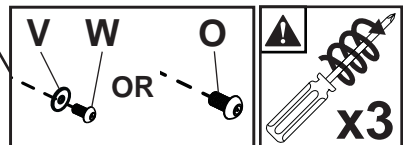
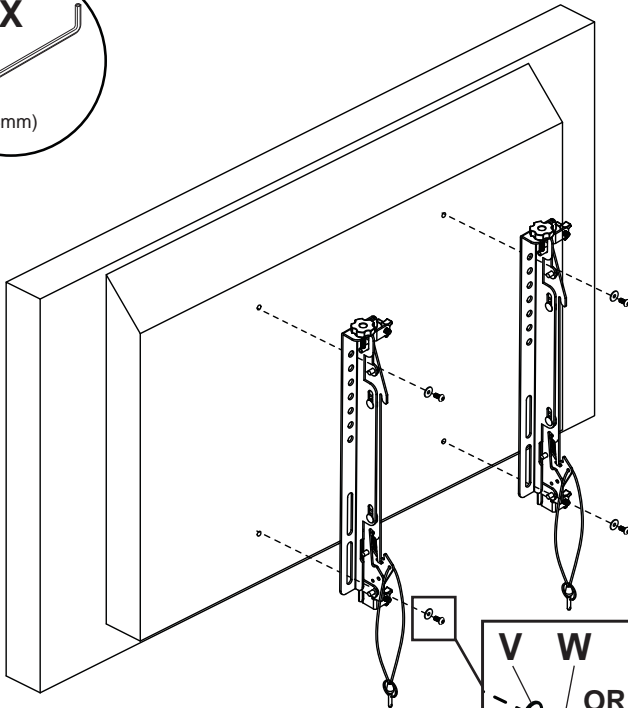


Center adaptor brackets vertically on back of screen.



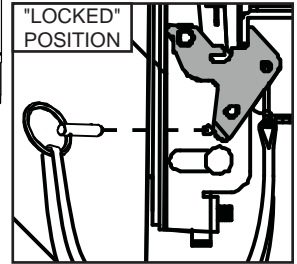
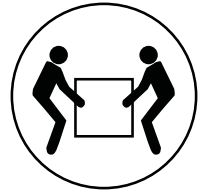
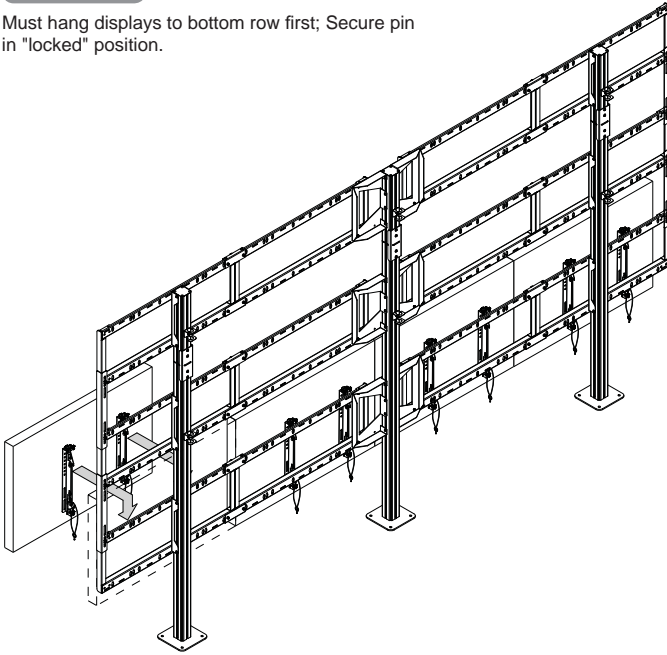
X

(4mm)



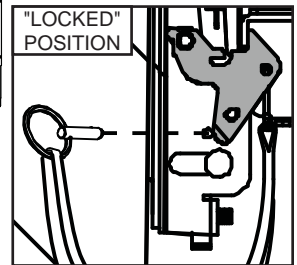
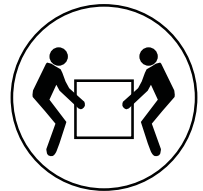
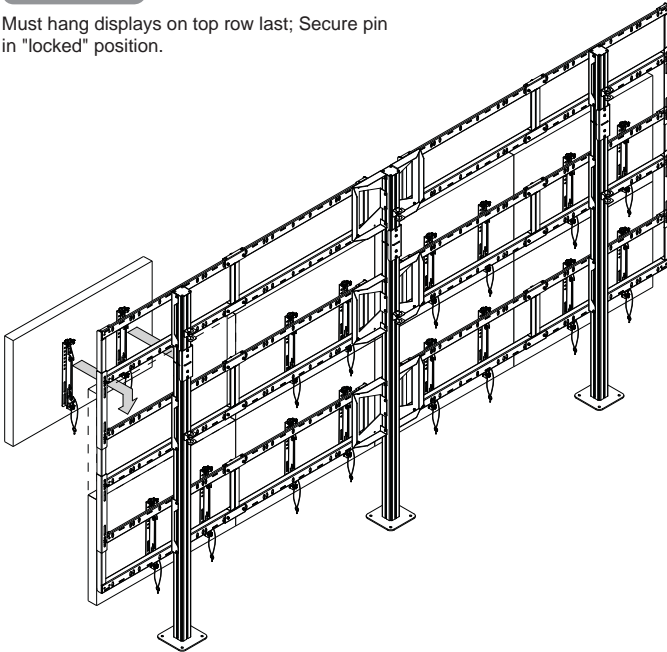
## 11-1

Must hang displays to bottom row first; Secure pin in "locked" position.



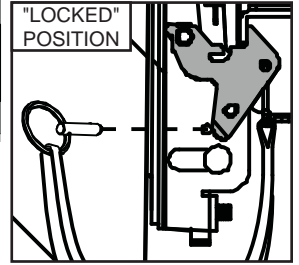
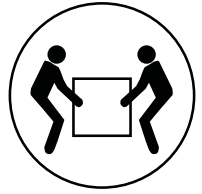
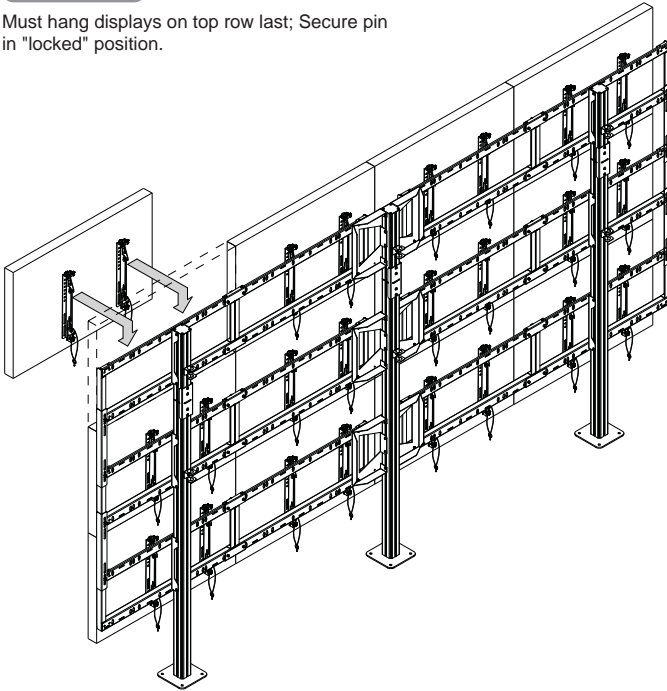
## 11-2

Must hang displays on top row last; Secure pin in "locked" position.



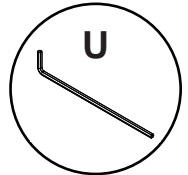
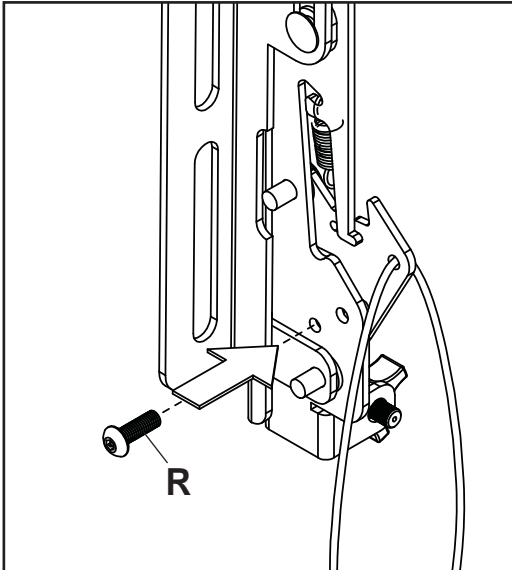
# 11-3

Must hang displays on top row last; Secure pin in "locked" position.

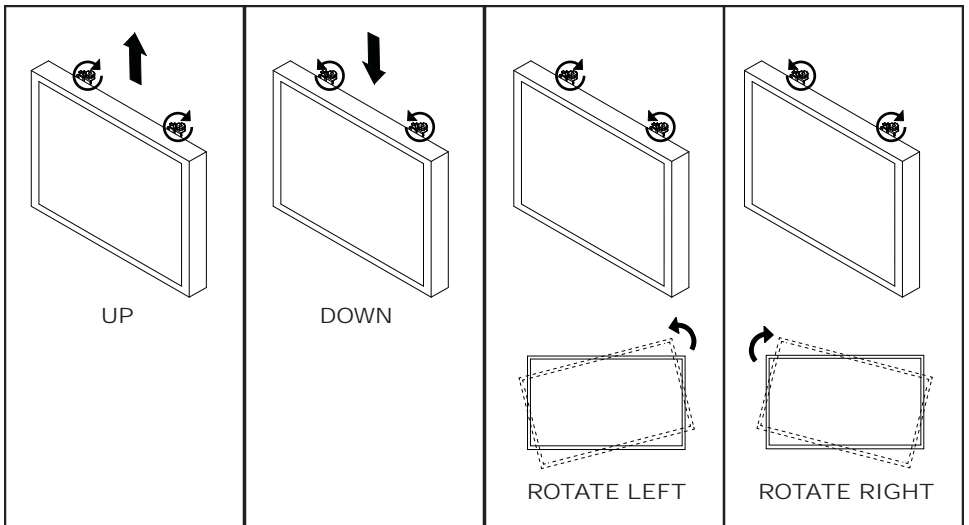
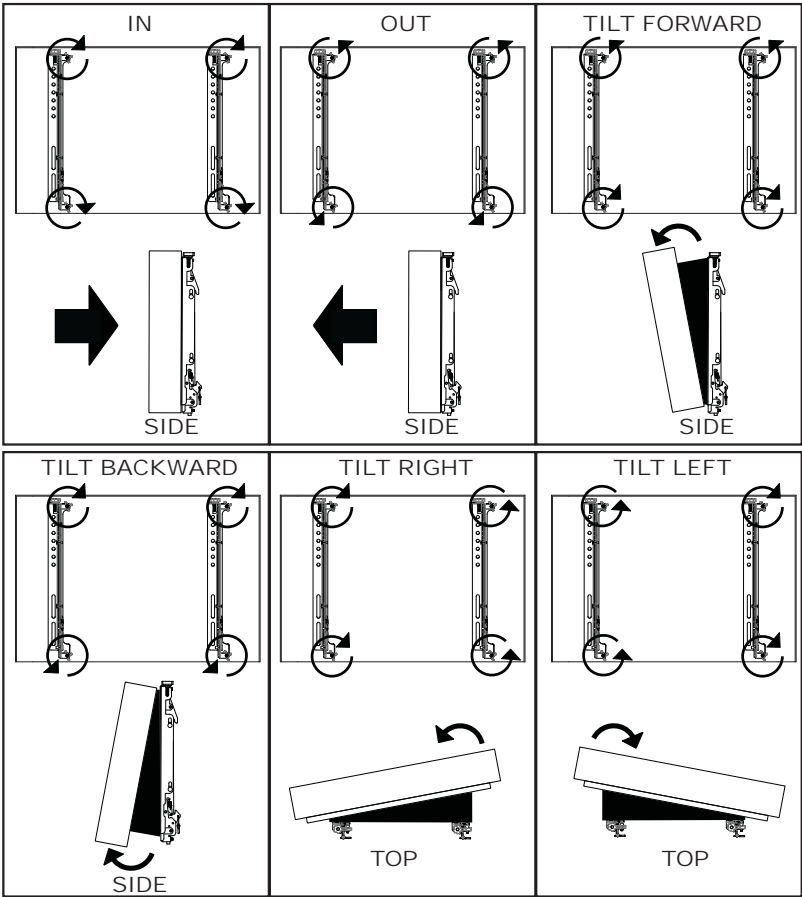


# 11-4

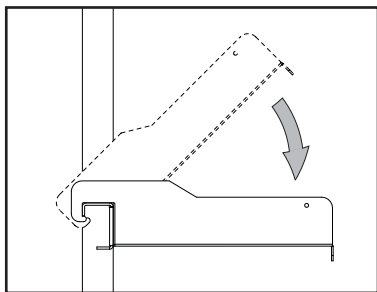
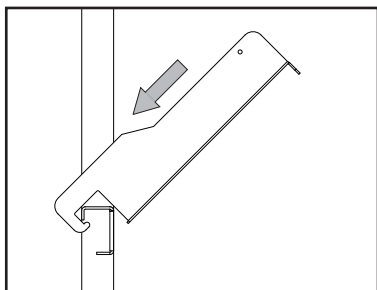
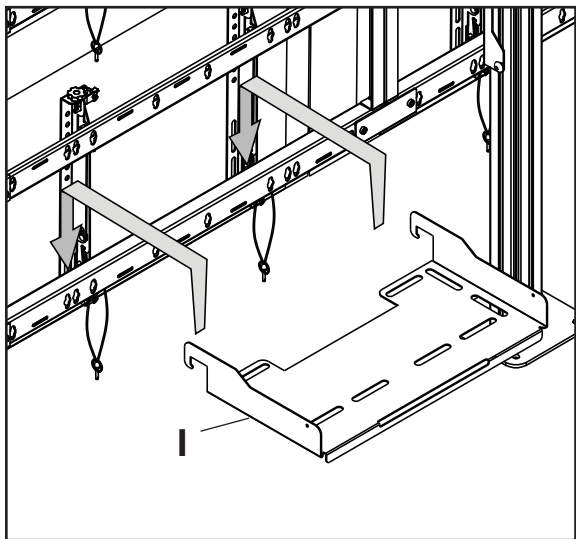
OPTIONAL: Insert M5 x 10mm type-F socket pin screws to lock latches.



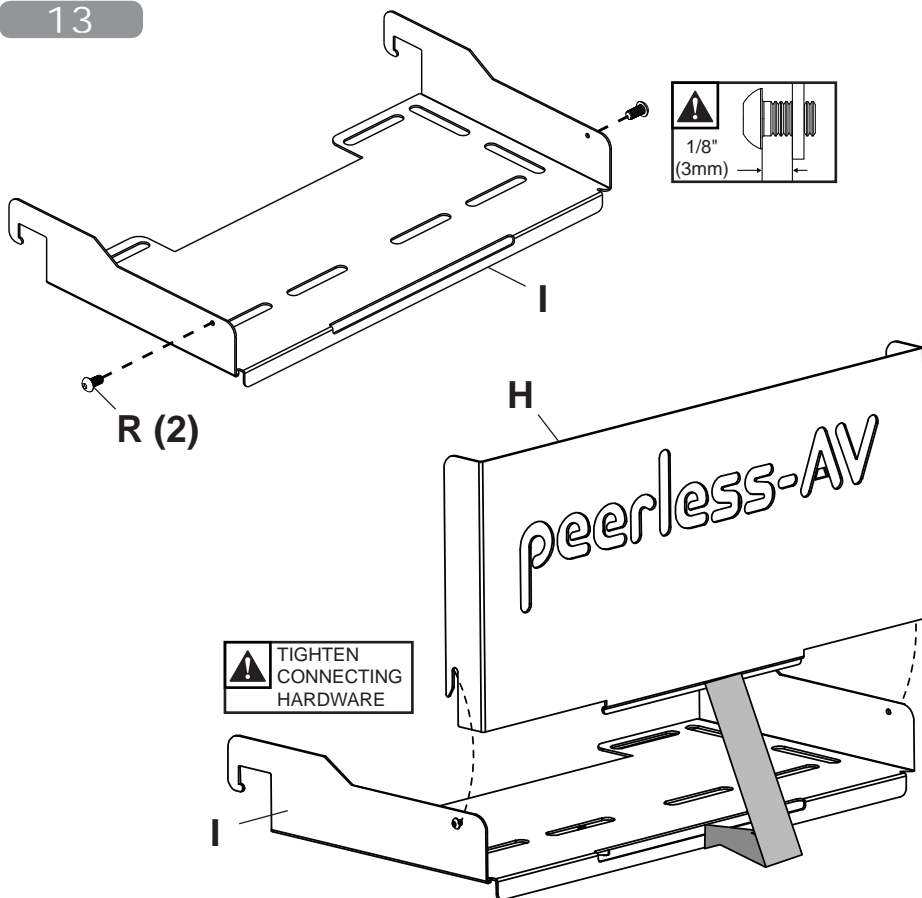
# Display Adjustment



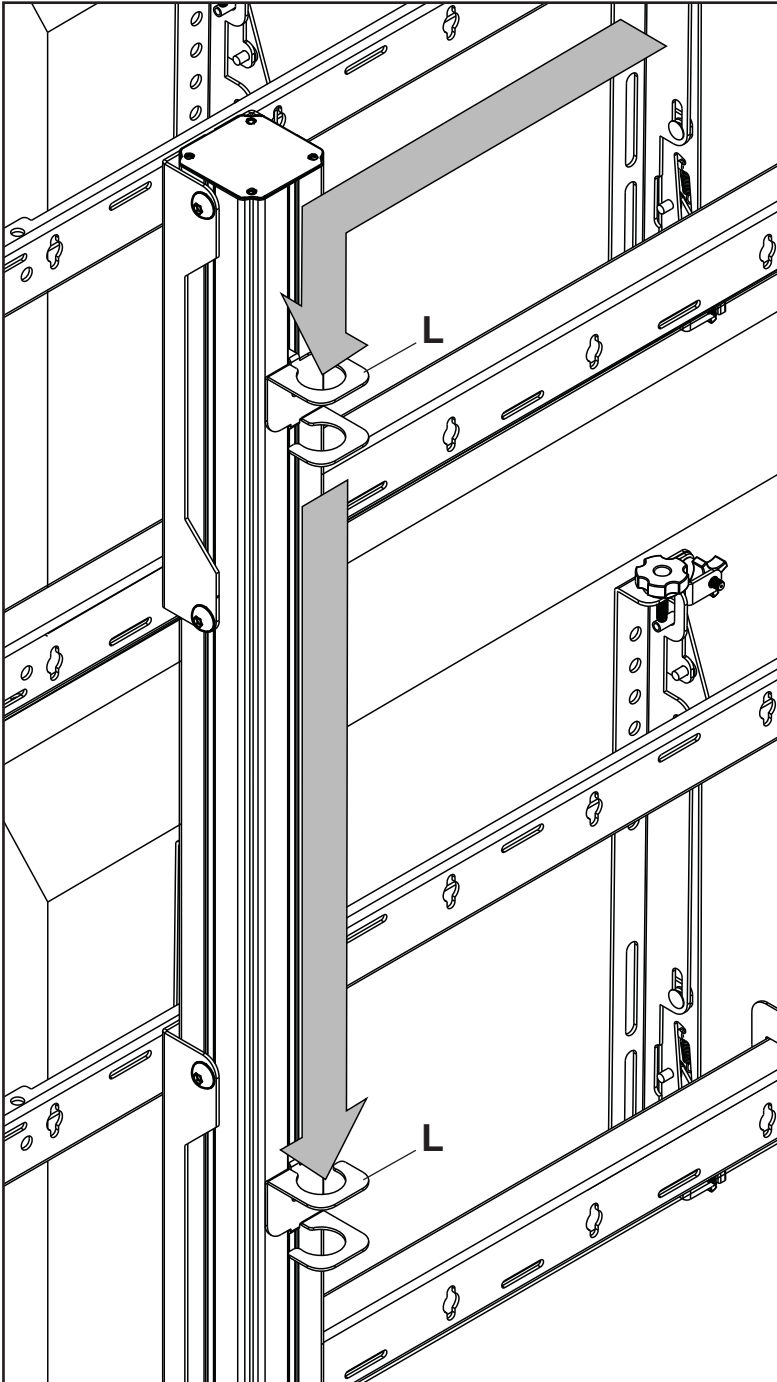
12



13



Route cables through cord brackets.



## LIMITED FIVE-YEAR WARRANTY

Peerless Industries, Inc. ("Peerless") warrants to original end-users of Peerless® products will be free from defects in material and workmanship, under normal use, for a period of five years from the date of purchase by the original end-user (but in no case longer than six years after the date of the product's manufacture). At its option, Peerless will repair or replace, or refund the purchase price of, any product which fails to conform with this warranty.

**In no event shall the duration of any implied warranty of merchantability or fitness for a particular purpose be longer than the period of the applicable express warranty set forth above.** Some states do not allow limitations on how long a implied warranty lasts, so the above limitation may not apply to you.

This warranty does not cover damage caused by (a) service or repairs by the customer or a person who is not authorized for such service or repairs by Peerless, (b) the failure to utilize proper packing when returning the product, (c) incorrect installation or the failure to follow Peerless' instructions or warnings when installing, using or storing the product, or (d) misuse or accident, in transit or otherwise, including in cases of third party actions and force majeure.

**In no event shall Peerless be liable for incidental or consequential damages or damages arising from the theft of any product, whether or not secured by a security device which may be included with the Peerless® product.** Some states do not allow the exclusion or limitation of incidental or consequential damages, so the above limitation or exclusion may not apply to you.

This warranty is in lieu of all other warranties, expressed or implied, and is the sole remedy with respect to product defects. No dealer, distributor, installer or other person is authorized to modify or extend this Limited Warranty or impose any obligation on Peerless in connection with the sale of any Peerless® product.

This warranty gives specific legal rights, and you may also have other rights which vary from state to state.



**Peerless-AV**  
2300 White Oak Circle  
Aurora, IL 60502  
Email: [tech@peerlessmounts.com](mailto:tech@peerlessmounts.com)  
Ph: (800) 865-2112  
Fax: (800) 359-6500  
[www.peerless-av.com](http://www.peerless-av.com)

© 2015, Peerless Industries, Inc.

**Peerless-AV Europe**  
Unit 3 Watford Interchange,  
Colonial Way, Watford, Herts,  
WD24 4WP, United Kingdom  
Customer Care  
44 (0) 1923 200 100  
[www.peerless-av.com](http://www.peerless-av.com)

© 2015, Peerless Industries, Inc.

**Peerless-AV de Mexico**  
Ave de las Industrias 413  
Parque Industrial Escobedo  
Escobedo N.L Mexico 66050  
Servicio al Cliente  
01-800-849-65-77  
[www.peerless-av.com](http://www.peerless-av.com)

© 2015, Peerless Industries, Inc.