

DS-C555-4X3



Display size  
46"-55"



Max load  
1200lb (545kg)  
100lb per display

**SMARTMOUNT.**

# Portable Video Wall Cart 4x3 Configuration

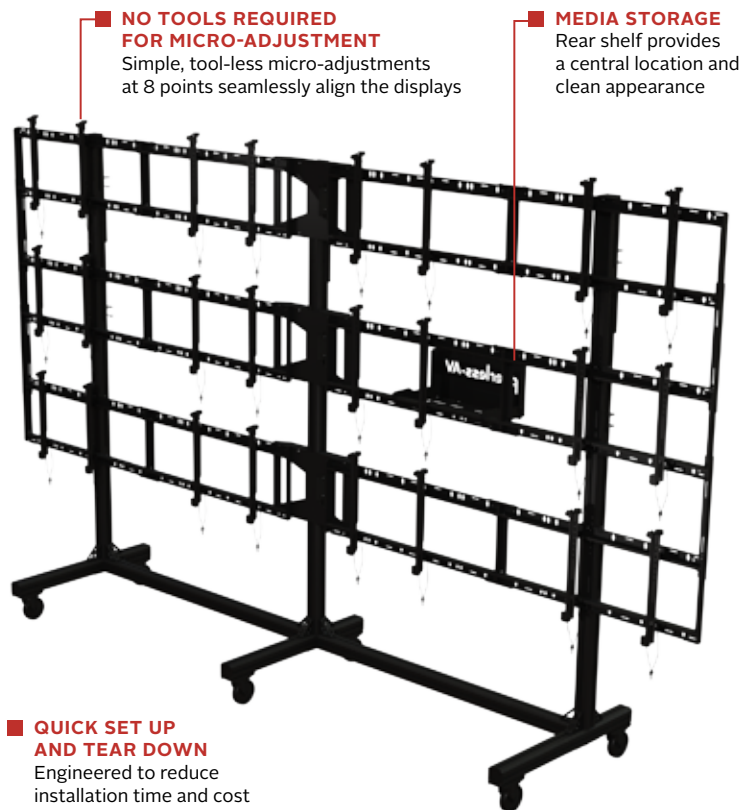
FOR 46" TO 55" DISPLAYS

Peerless-AV® takes video wall carts to a whole new level of innovation. Designed for modularity, this 4x3 video wall cart configuration allows the user to create a flawless video wall with displays ranging from 46" to 55". This Modular Video Wall Cart offers an 8-point micro-adjustment to create a seamless alignment without the need of tools. With a five-inch lockable caster, the cart becomes secure for safe and easy movement over various flooring surfaces. Designed for a quick set-up and tear down, the cart features a quick-connect latch for adaptors, allowing automatic engagement with mounting rails. Media storage and cable management create a sleek appearance for any application setting. With an overall weight and shipping cost reduction, this Portable Video Wall Cart is the ultimate video wall cart solution.

## Additional Features

- ✓ Lockable 5" casters enable safe and easy maneuverability over various flooring surfaces
- ✓ Rear adjustable cable centralizing brackets keep cables clean and organized for enhanced aesthetics
- ✓ Designed for quick set-up and tear down
- ✓ Adaptors feature a quick connect latch for automatic engagement with the mounting rails and ease of set-up
- ✓ Aluminum frame reduces the overall weight and shipping costs
- ✓ VESA® 200 x 200 up to 600 x 400mm compatible

**DS-C555-4X3's tool-less micro-adjustment at 8 points helps seamlessly align the displays, creating the ultimate video wall cart solution.**



**NO TOOLS REQUIRED FOR MICRO-ADJUSTMENT**  
Simple, tool-less micro-adjustments at 8 points seamlessly align the displays

**MEDIA STORAGE**  
Rear shelf provides a central location and clean appearance

**QUICK SET UP AND TEAR DOWN**  
Engineered to reduce installation time and cost



DS-C555-4X3 SmartMount® Portable Video Wall Cart 4x3 Configuration for 46" to 55" Displays

**Product Specifications**

	DIMENSIONS (W x H x D)	PRODUCT WEIGHT	LOAD CAPACITY	FINISH	AVAILABLE COLORS
DS-C555-4X3	171.63" x 102.49" x 36.05" (4359 x 2603 x 916mm)	TBD	1200lb (545kg) 100lb per display	Powder Coat	Black

**Package Specifications**

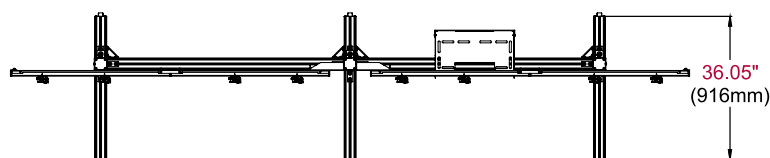
	PACKAGE SIZE (W x H x D)	PACKAGE SHIP WEIGHT	PACKAGE UPC CODE	PACKAGE CONTENTS	UNITS IN PACKAGE
DS-C555-4X3	84.00" x 37.50" x 12.50" (2133 x 952 x 317mm)	TBD	735029308447	Stand, casters, display adaptors and hardware	1

**Accessories**

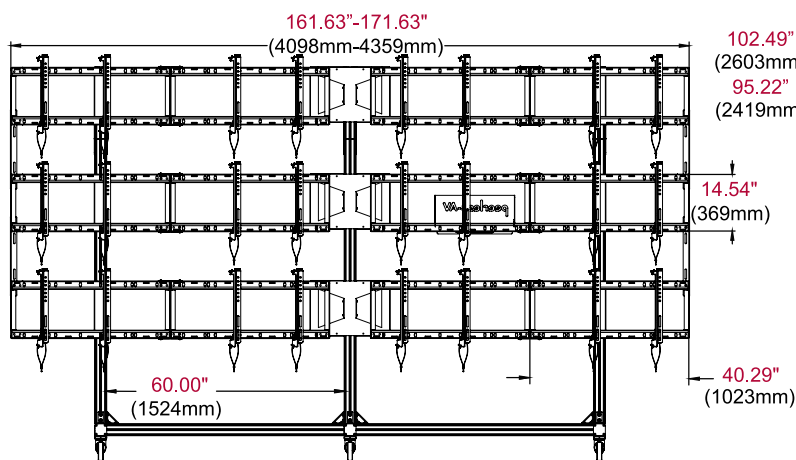
**ACC-V800X:** Adaptor accessory for 600 x 400 and 800 x 400mm mounting patterns

COMPATIBILITY FORMULA	
Display width ≥ 40.5"	Display Height ≤ 31.0"
Three display widths + mount pattern width ≤ 171"	

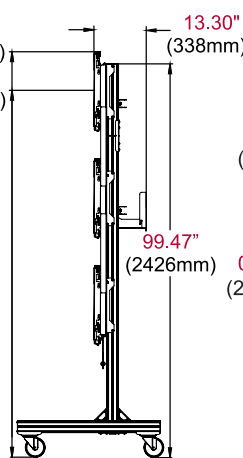
All dimensions = inch (mm)



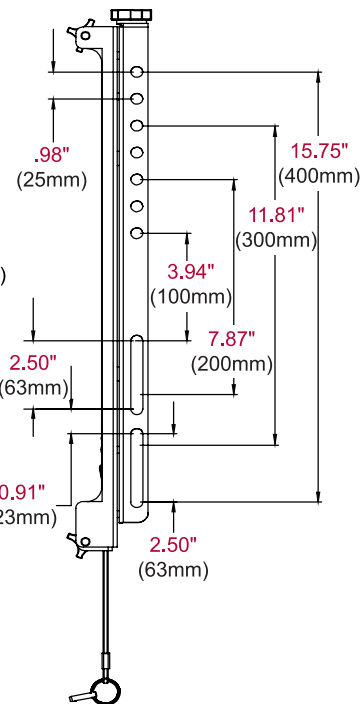
TOP VIEW



FRONT VIEW



SIDE VIEW



ADAPTOR BRACKET

**Architect Specifications**

The Smartmount® Portable Video Wall Cart 4x3 Configuration shall be a Peerless-AV model DS-C555-4X3 and shall be located where indicated on the plans. Assembly and installation shall be done according to instructions provided by the manufacturer.

Visit [peerless-av.com](http://peerless-av.com) to see the complete line of AV solutions from Peerless-AV, including outdoor displays, wireless, kiosks, digital audio, display mounts, projector mounts, carts/stands, and a full assortment of accessories.

**Peerless-AV**  
2300 White Oak Circle  
Aurora, IL 60502 USA  
  
**(800) 865-2112**  
**(630) 375-5100**  
**Fax: (800) 359-6500**

**Peerless-AV Europe**  
Unit 3 Watford Interchange  
Colonial Way, Watford  
Herts, WD24 4WP  
United Kingdom  
**+44 (0) 1923 200100**  
**Fax: +44 (0) 1923 200101**

**Peerless-AV de México**  
Ave de las Industrias 413  
Parque Industrial Escobedo  
Escobedo, N.L.,  
Mexico 66050  
**+52 (81) 8384-8300**  
**Fax: +52 (81) 8384-8360**

