

peerless-AV[®]

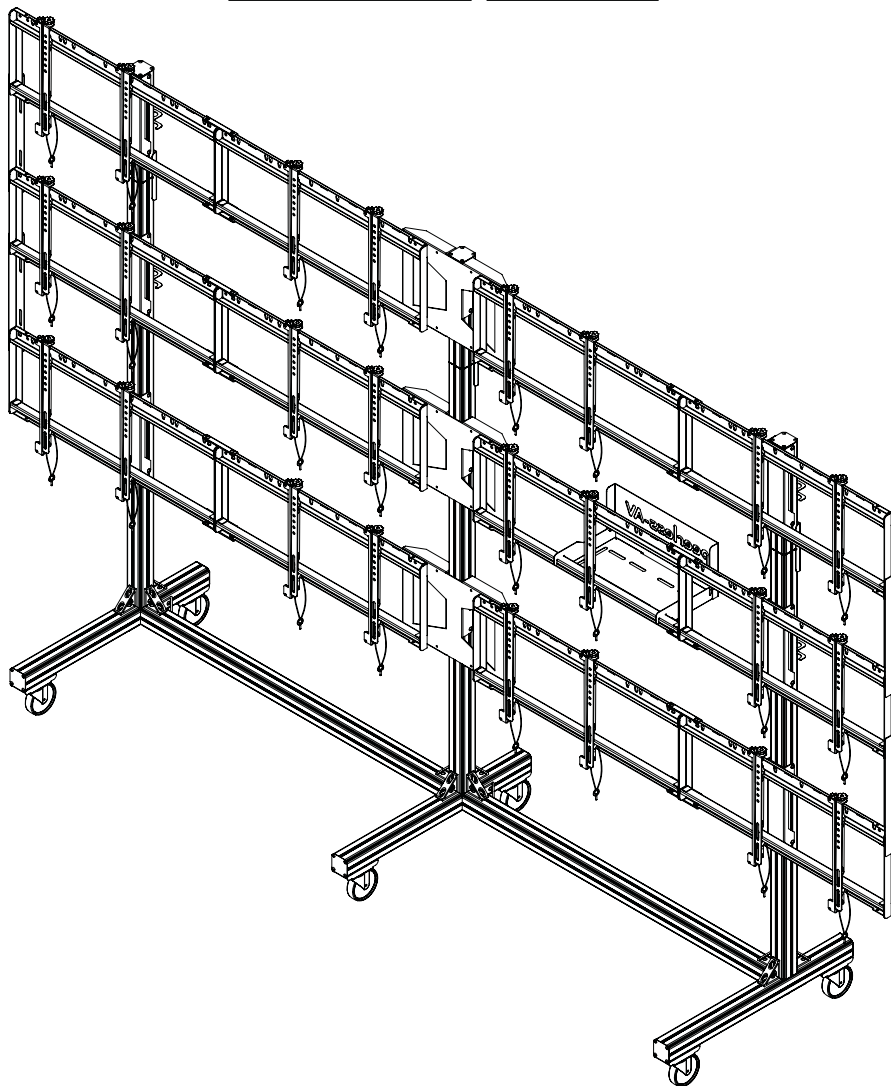
DS-C555-4X3



46" - 55"
(117 - 140 cm)



1200 lb
(545 kg)



This page intentionally left blank.

⚠ WARNING

Do not begin to install product until you have read and understood the instructions and warnings contained in this user guide. Always use an assistant or mechanical lifting equipment to safely lift and position equipment. This product must be installed onto flat, hard, level surface to prevent tipping. The cart or stand is not affixed or secured to the floor, and may therefore tip over and/or fall if screen and/or stand is shaken or hit. Displays must be removed before moving cart. Not recommended for use in areas with heavy traffic. This product is intended for indoor use only. Use of this product outdoors could lead to product failure or personal injury. Screws must be tightly secured. Do not overtighten screws or damage can occur and product may fail. Never exceed the Maximum Load Capacity. Be careful not to pinch fingers when operating the mount. For support please call customer care at 1-800-865-2112.

[ENG] Symbols



[ENG] WARNING



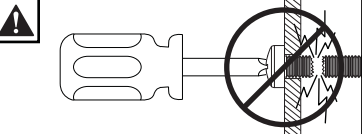
Heavy



[ENG] Screws must get at least three full turns and fit snug.

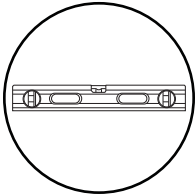


[ENG] Display center.



[ENG] Do not overtighten screws.

[ENG] Tools Needed for Assembly.

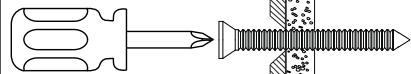


(13mm)

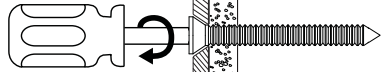


To properly tighten screws: Tighten until screw head makes contact, then tighten another 1/2 turn. Do not overtighten screws.

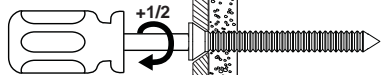
1



2



3



4



Parts (Before beginning, make sure you have all parts shown below).

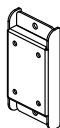
Parts List

Description	Qty	Part #
A caster, 5" swivel	6	600-0026
B caster support	6	145-T1799
C cover	9	145-T1809
D base leg	3	145-T1767
E horizontal leg support	2	145-T1785
F base support tube	3	145-T1812
G base support	14	560-T1261
H vertical leg support	3	145-T1777
I extension	3	145-T1778
J adaptor bracket	24	145-T1792
K side support bracket	4	145-T1807
L vertical support bracket	6	145-T1806
M dual cross support	3	145-T1924
N computer cover	1	145-T1930
O computer shelf	1	145-T1931
P extension adaptor	3	145-T1935
Q cord bracket	6	146-T1321
R bracket, 4x2 configuration	3	145-T1858
S knurled knob	6	560-1160
T M8 x 16mm socket button screw	244	520-9527
U M8 square nut	80	530-1066
V cover clip	36	590-0317
W M5 x 10mm type-F, socket pin screw	26	520-1164
X bar nut	34	146-1319
Y 1/4" power bit	1	560-0263
Z 5mm allen wrench	1	560-9640
AA nylon shoulder washer	48	590-2233
BB M6 x 12mm socket pin screw	48	520-1050
CC 4mm allen wrench	1	560-9646

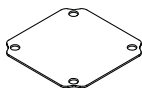
A (6)
caster



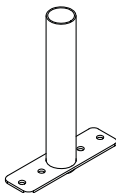
B (6)
caster support



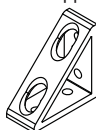
C (9)
cover



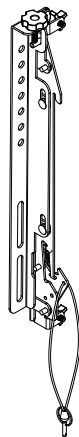
F (3)
base support tube



G (14)
base support



J (24)
adaptor bracket



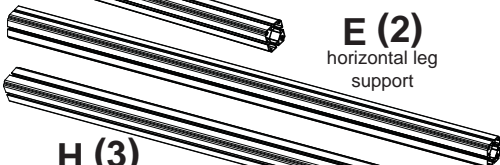
K (4)
side support bracket



D (3)
base leg



E (2)
horizontal leg support



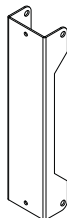
H (3)
vertical leg support

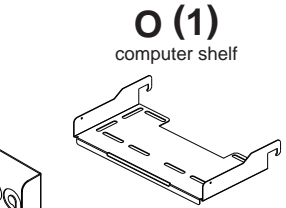
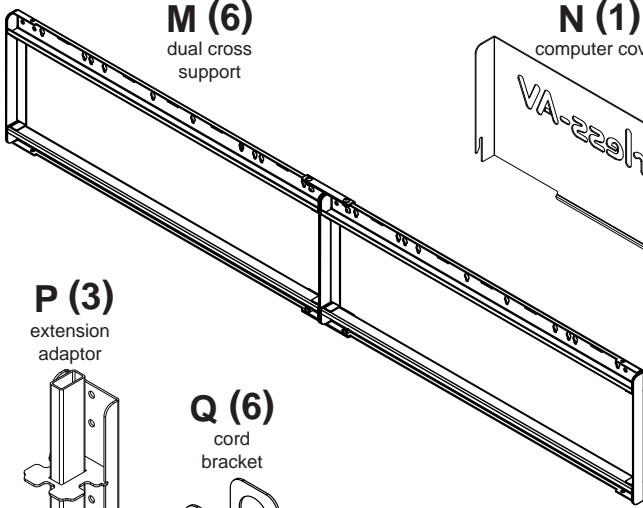


I (3)
extension

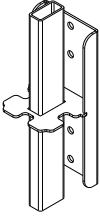


L (6)
vertical support bracket

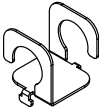




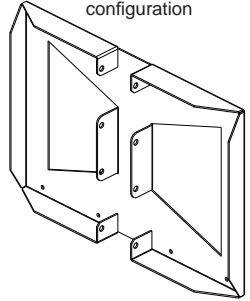
P (3)
extension
adaptor



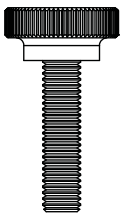
Q (6)
cord
bracket



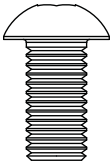
R (3)
bracket, 4x2
configuration



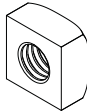
S (6)
knurled
knob



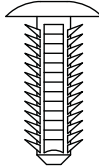
T (244)
M8 x 16mm



U (80)
M8 square
nut



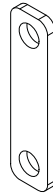
V (36)
cover clip



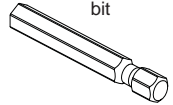
W (26)
M5 x 10mm



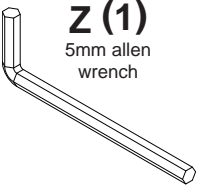
X (34)
bar nut



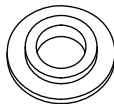
Y (1)
1/4" power
bit



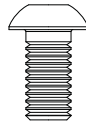
Z (1)
5mm allen
wrench



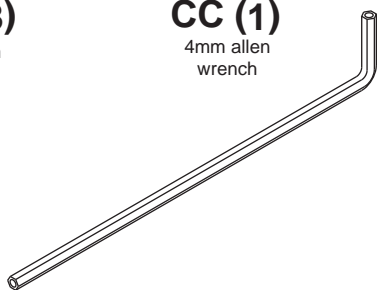
AA (48)
nylon shoulder
washer



BB (48)
M6 x 12mm

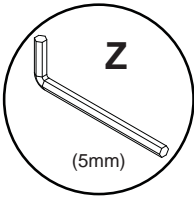


CC (1)
4mm allen
wrench

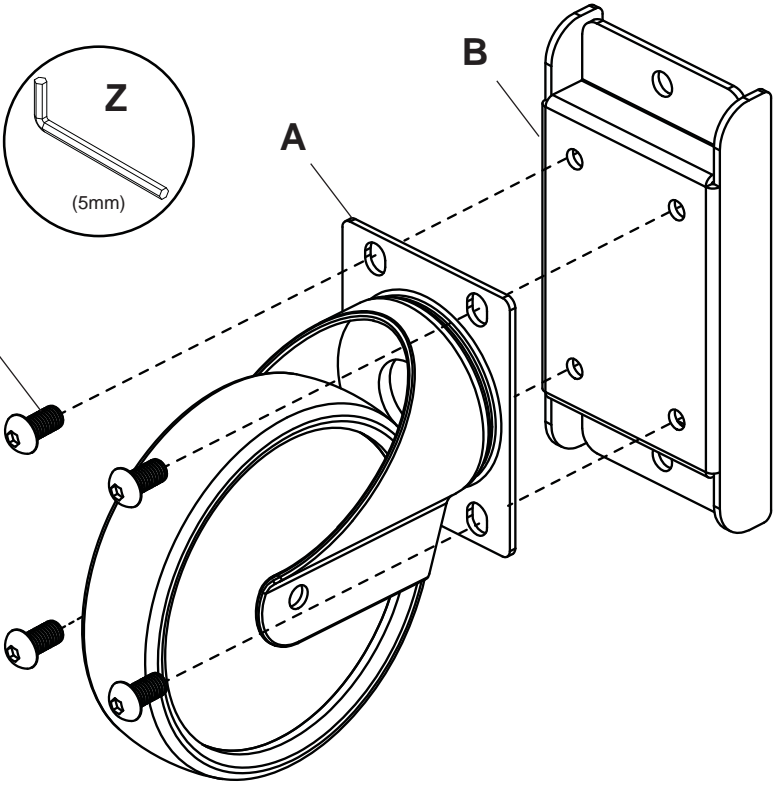


1-1

x6



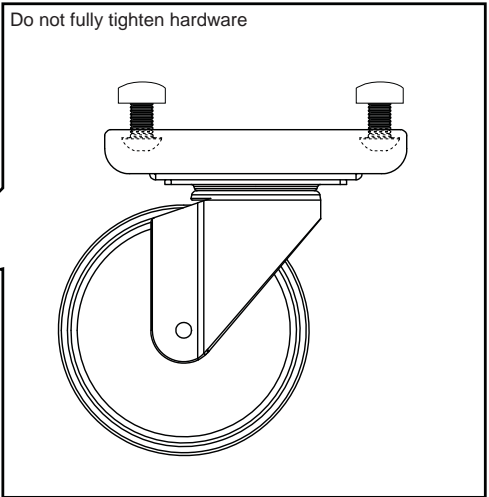
T (4)



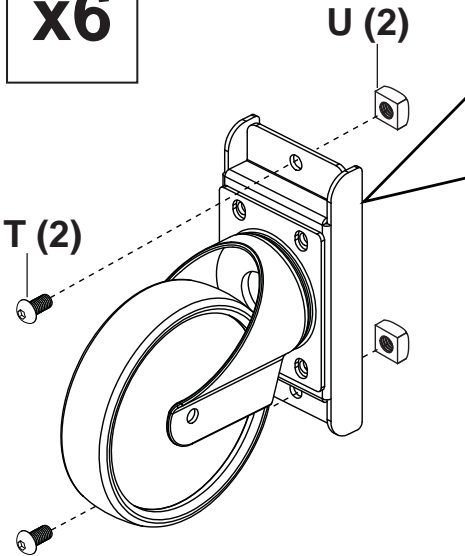
1-2

x6

U (2)



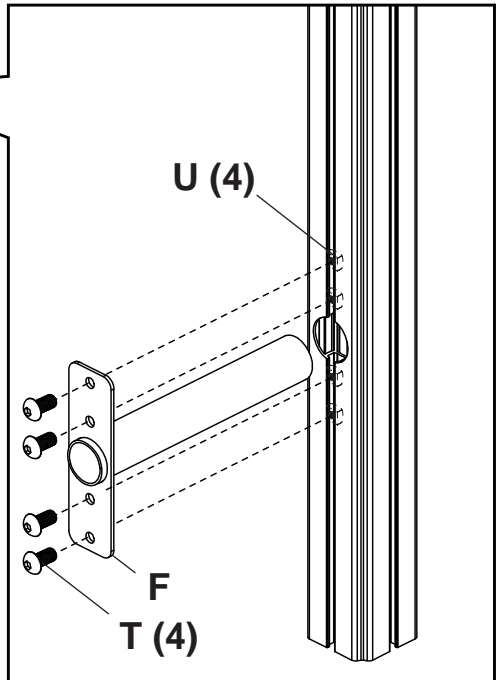
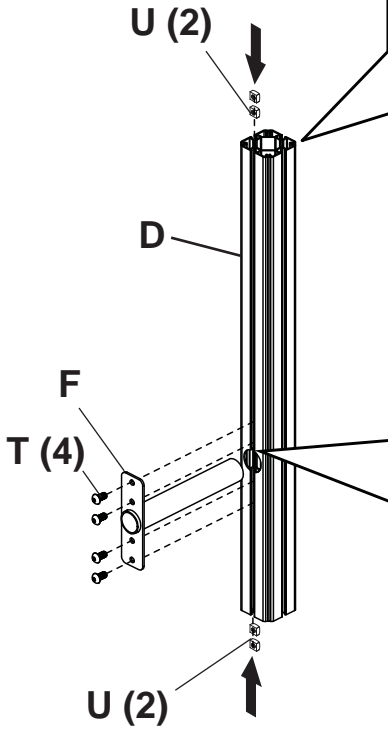
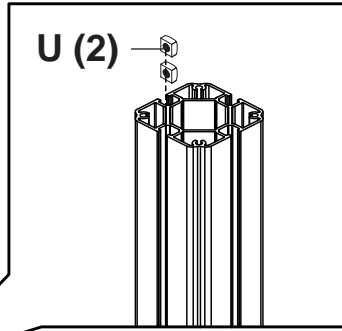
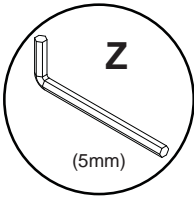
T (2)



SIDE VIEW

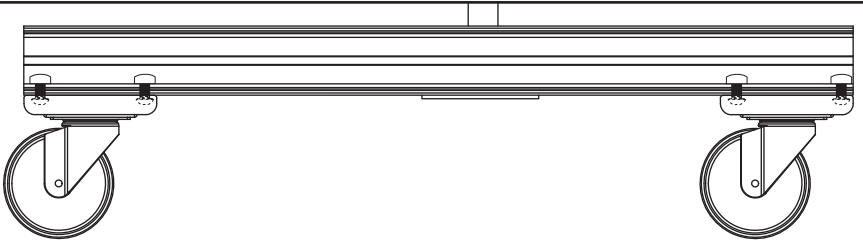
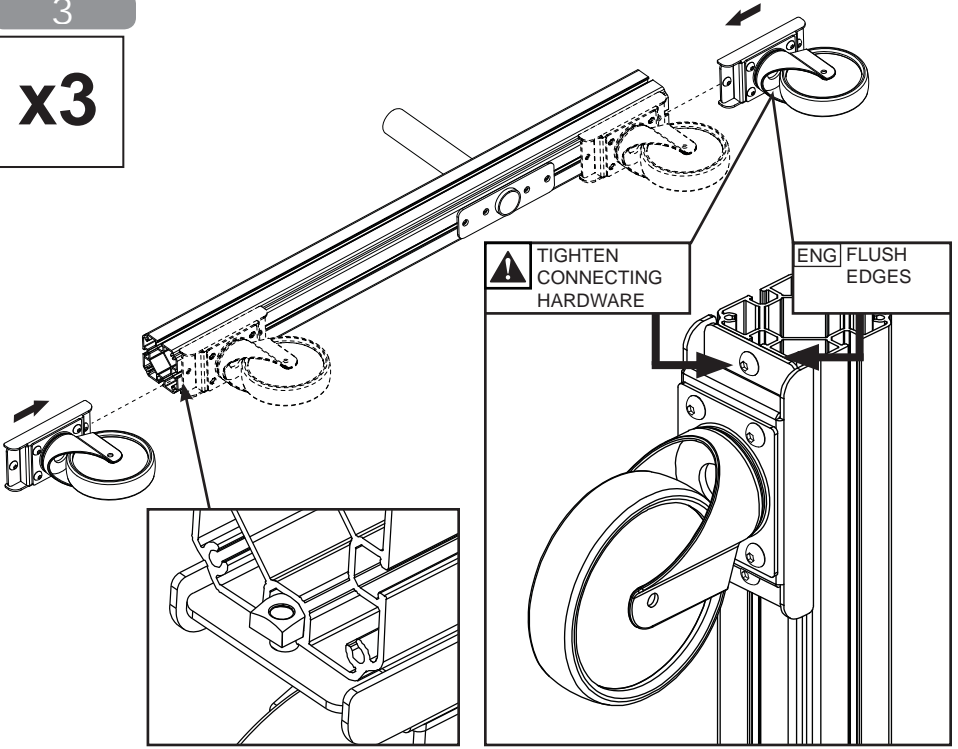
2

x3



3

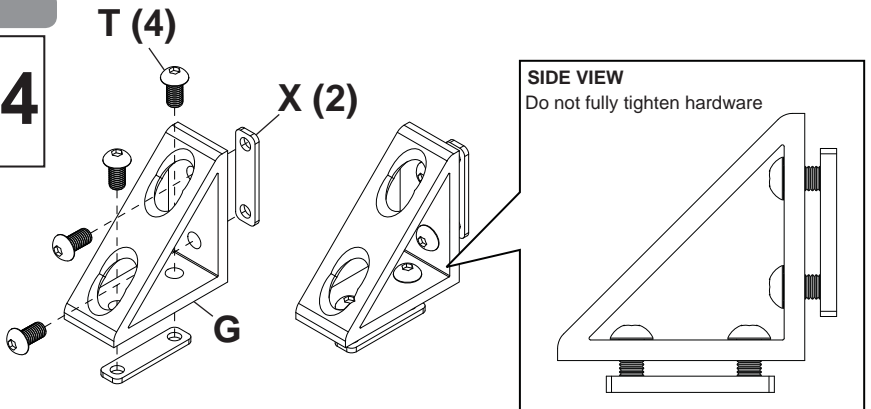
x3



ENG Casters must be flush to end of horizontal leg support.

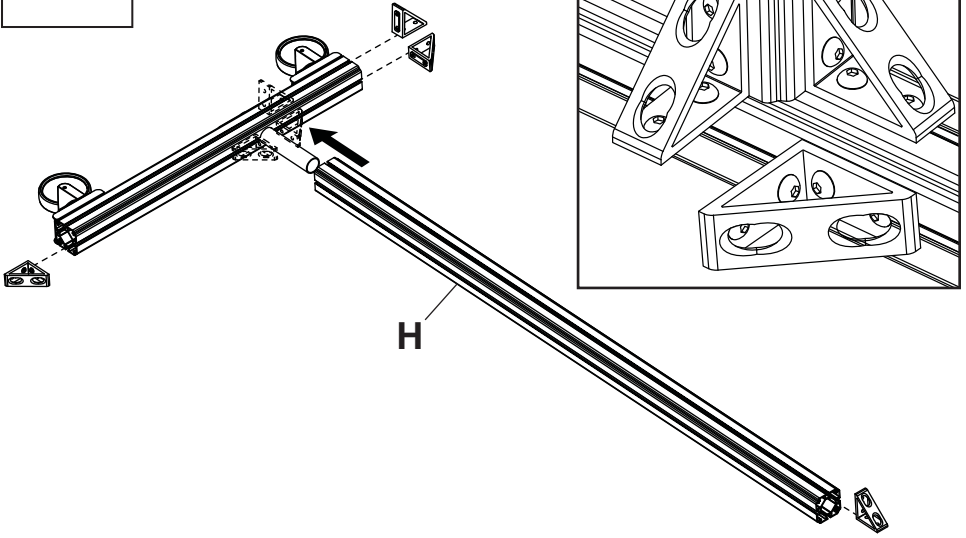
4

x14



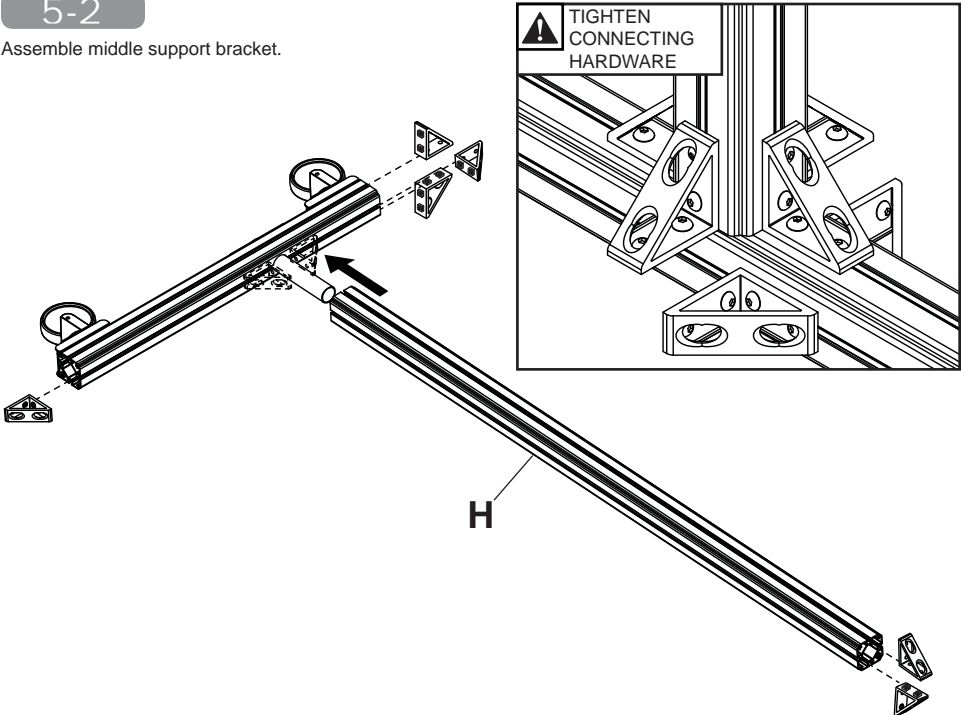
5-1

x2



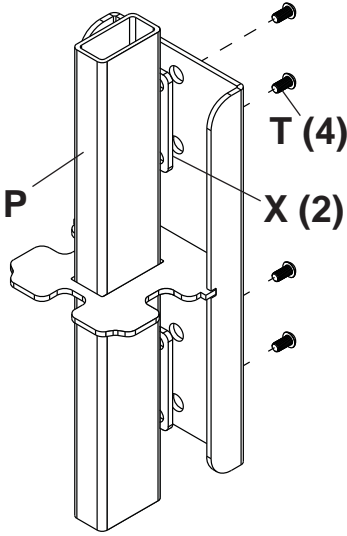
5-2

Assemble middle support bracket.

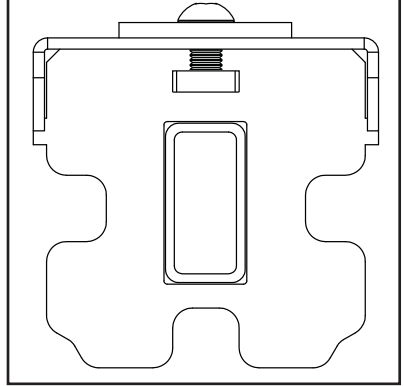


6-1

x3

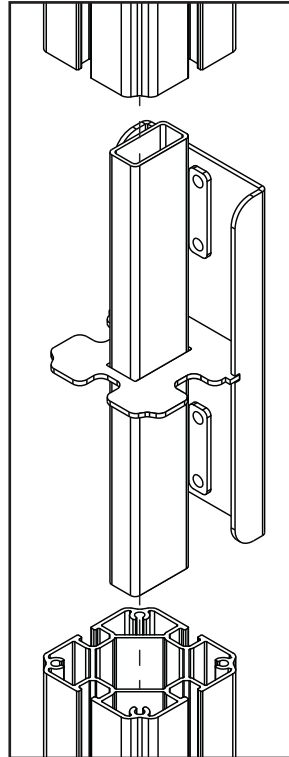
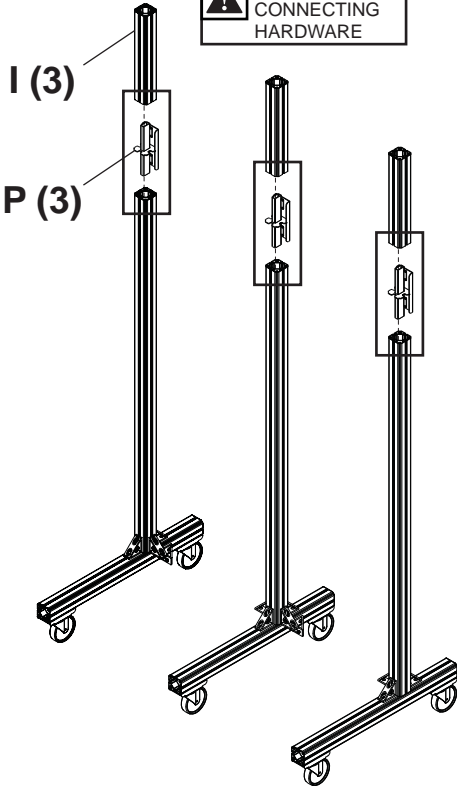


Do not fully tighten hardware

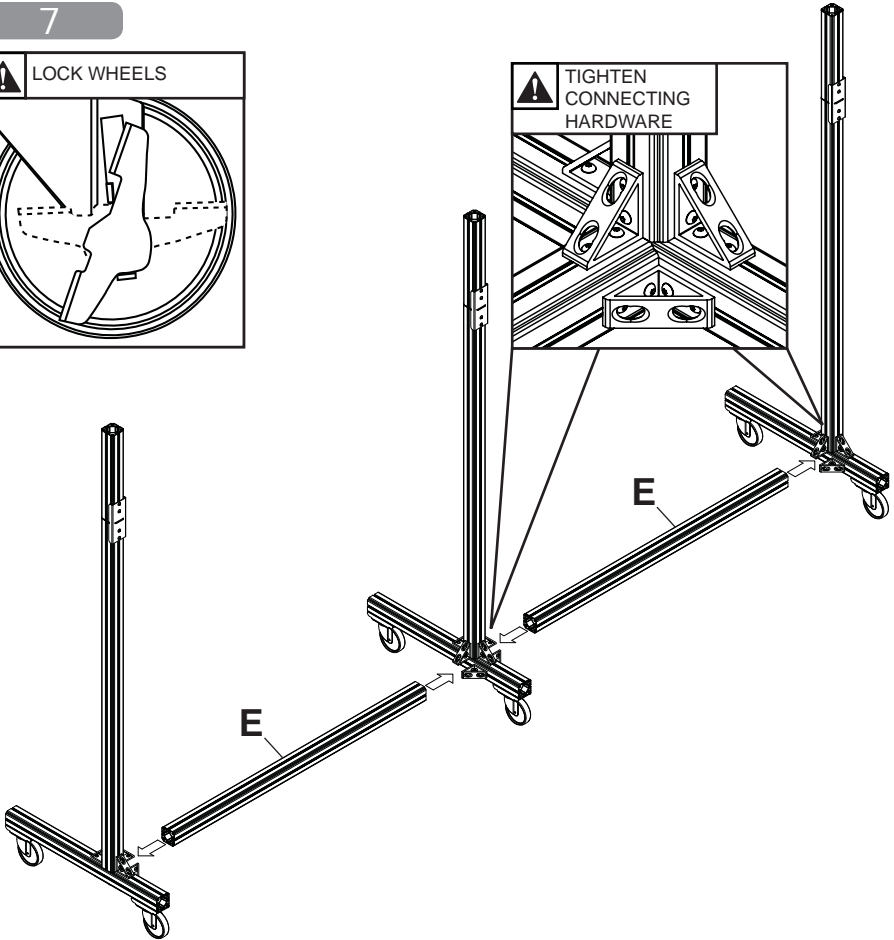
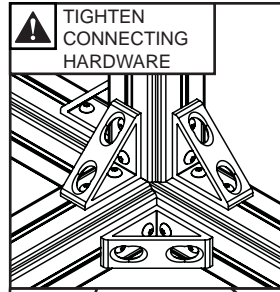
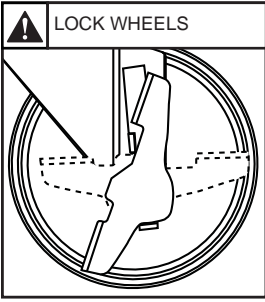


6-2

**⚠ TIGHTEN
CONNECTING
HARDWARE**

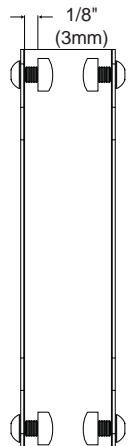
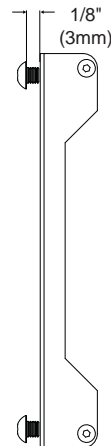
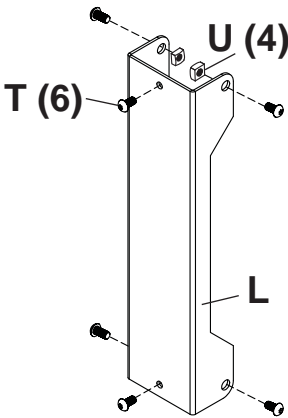


7



8

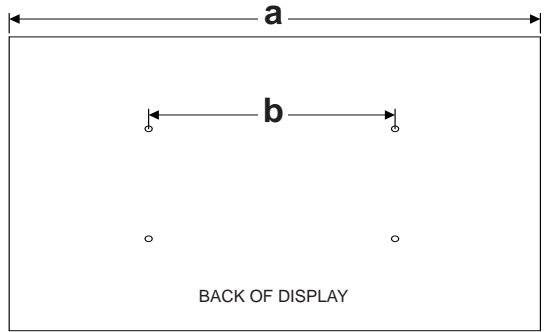
x6



9

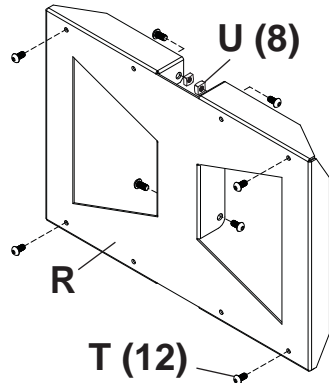
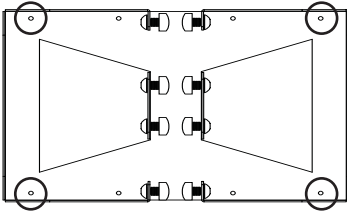
Use metric formula below and diagram to right to determine hole pattern required for center vertical support bracket. Repeat (x2).

All dimensions are metric.



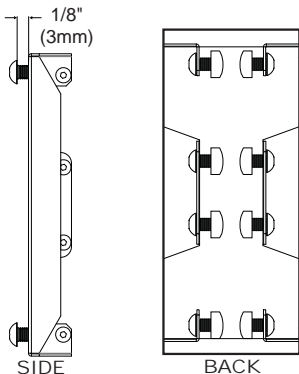
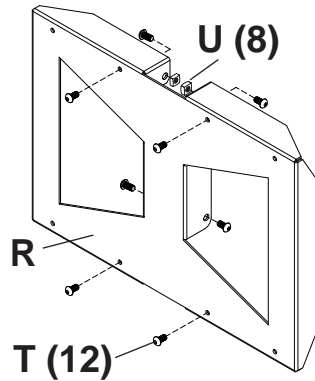
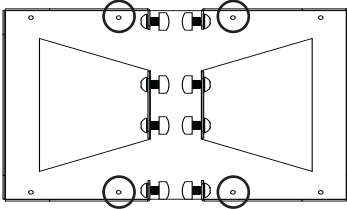
Use the outside mounting holes when...

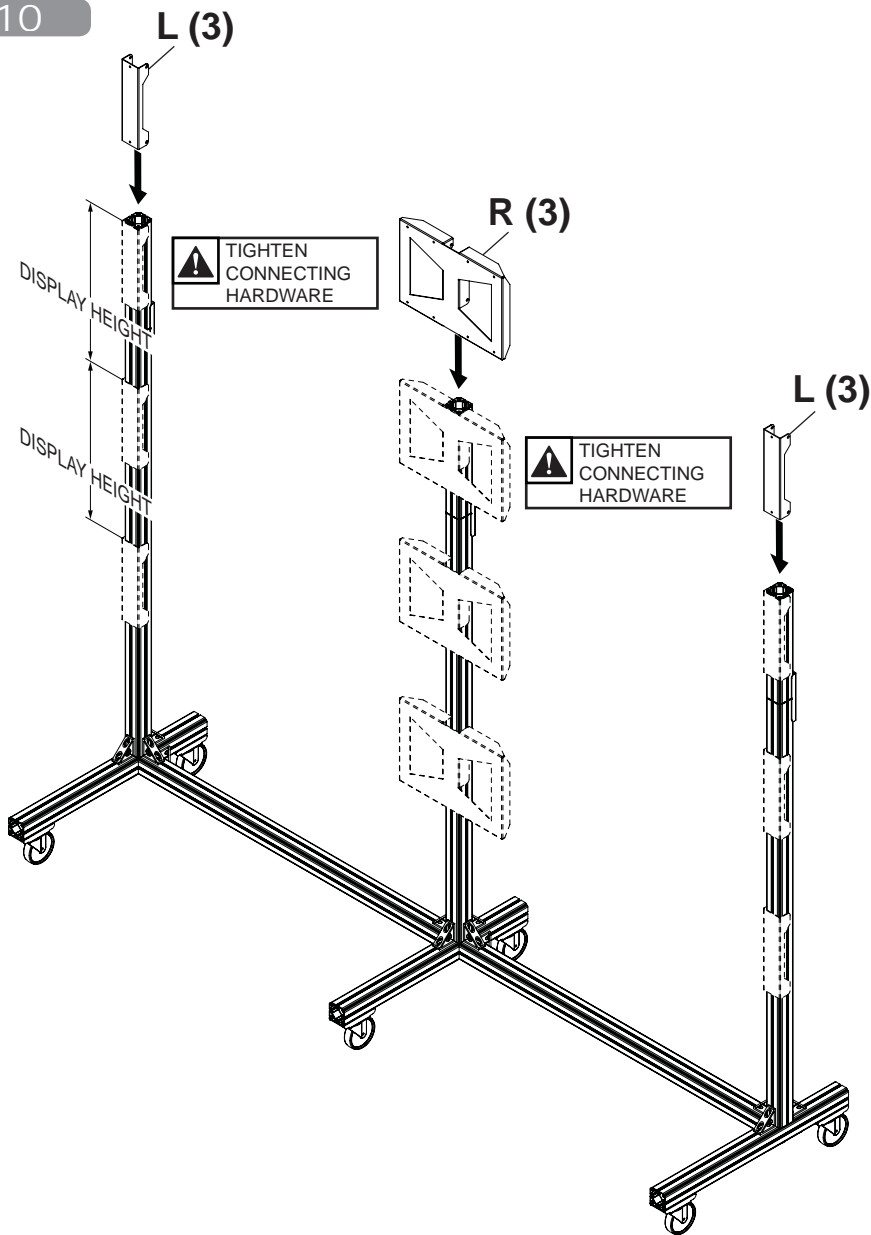
$a \times 4 > 4368\text{mm}$ and $a \times 3 + b < 4318\text{mm}$

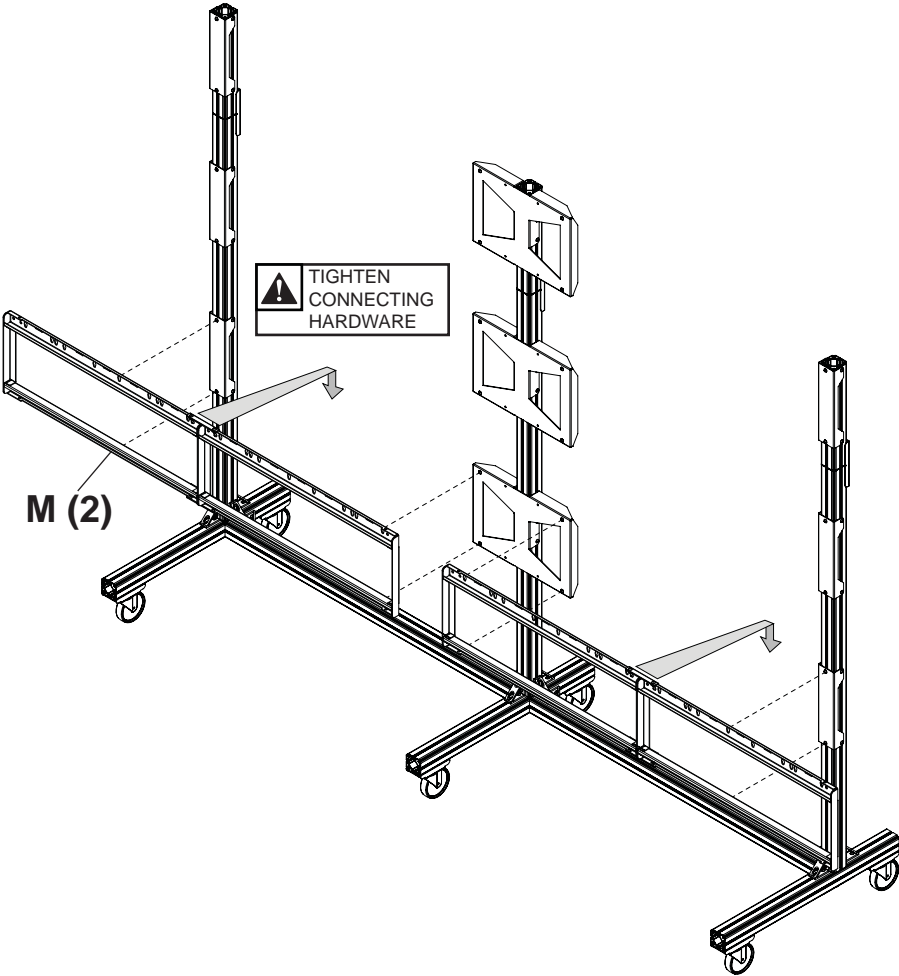


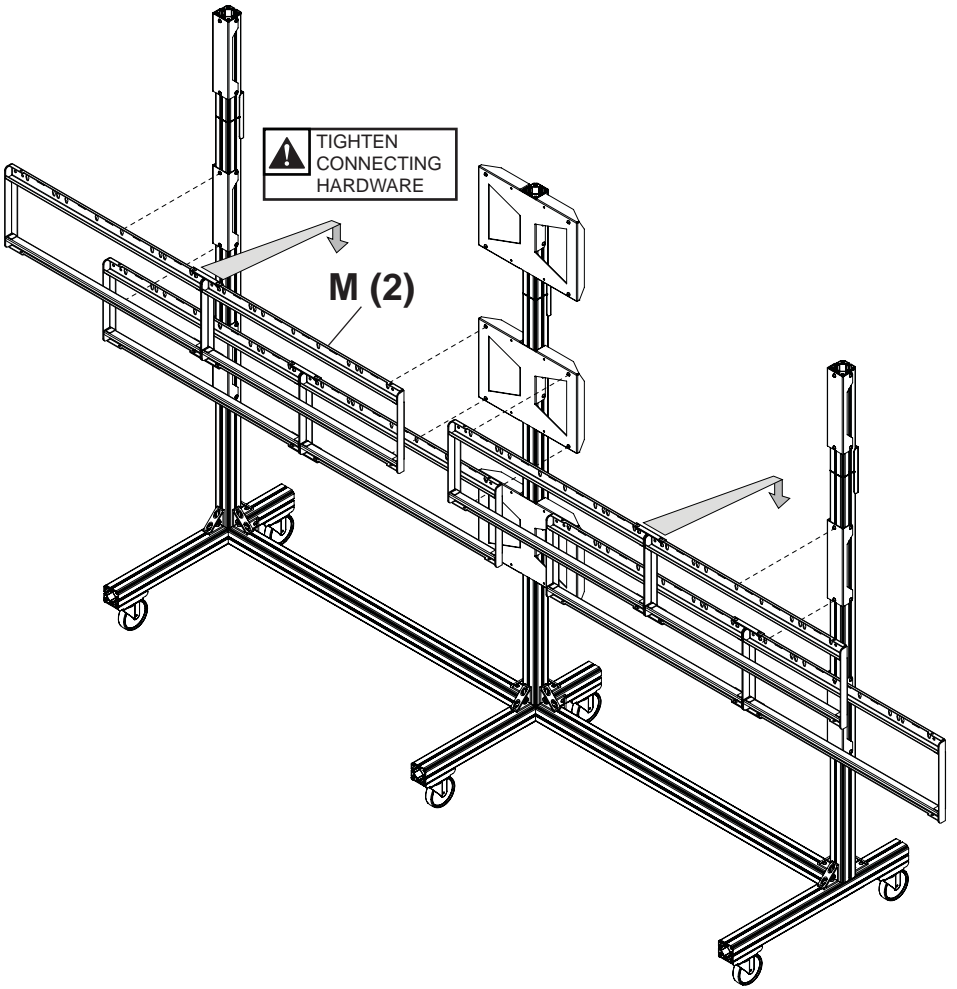
Use the inside mounting holes when...

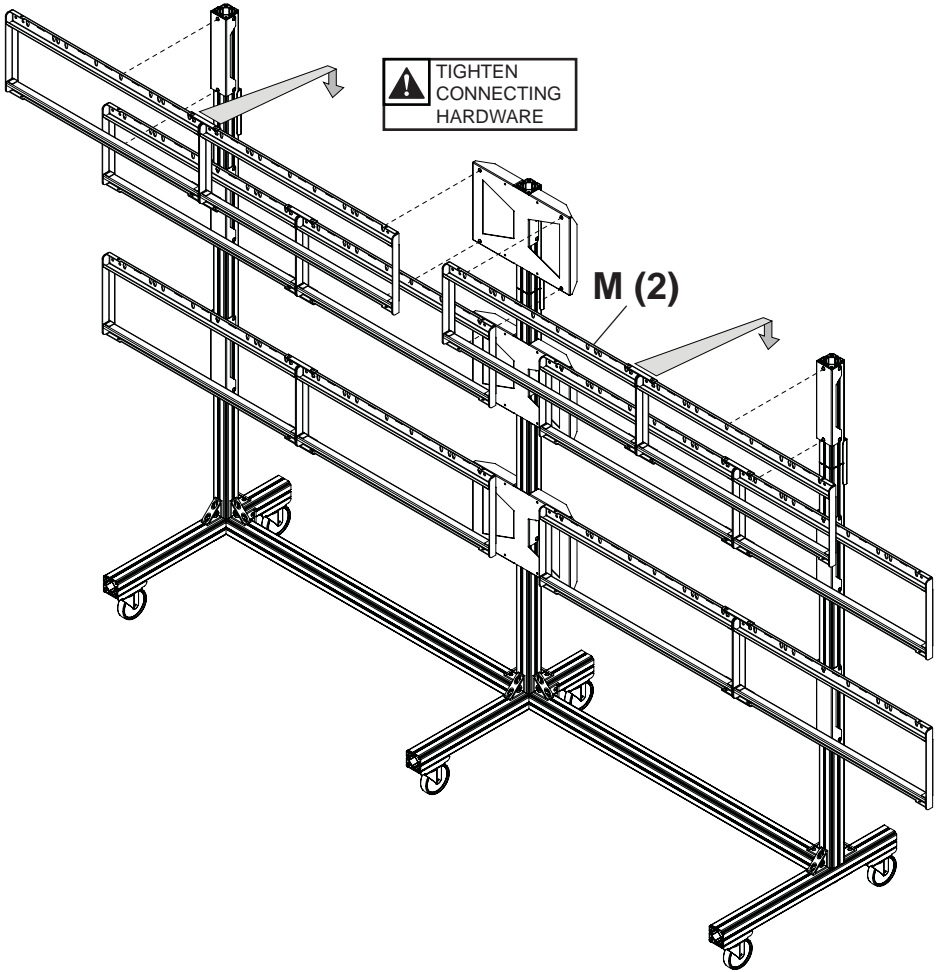
$a \times 4 > 4098\text{mm}$ and $a \times 3 + b < 4064\text{mm}$

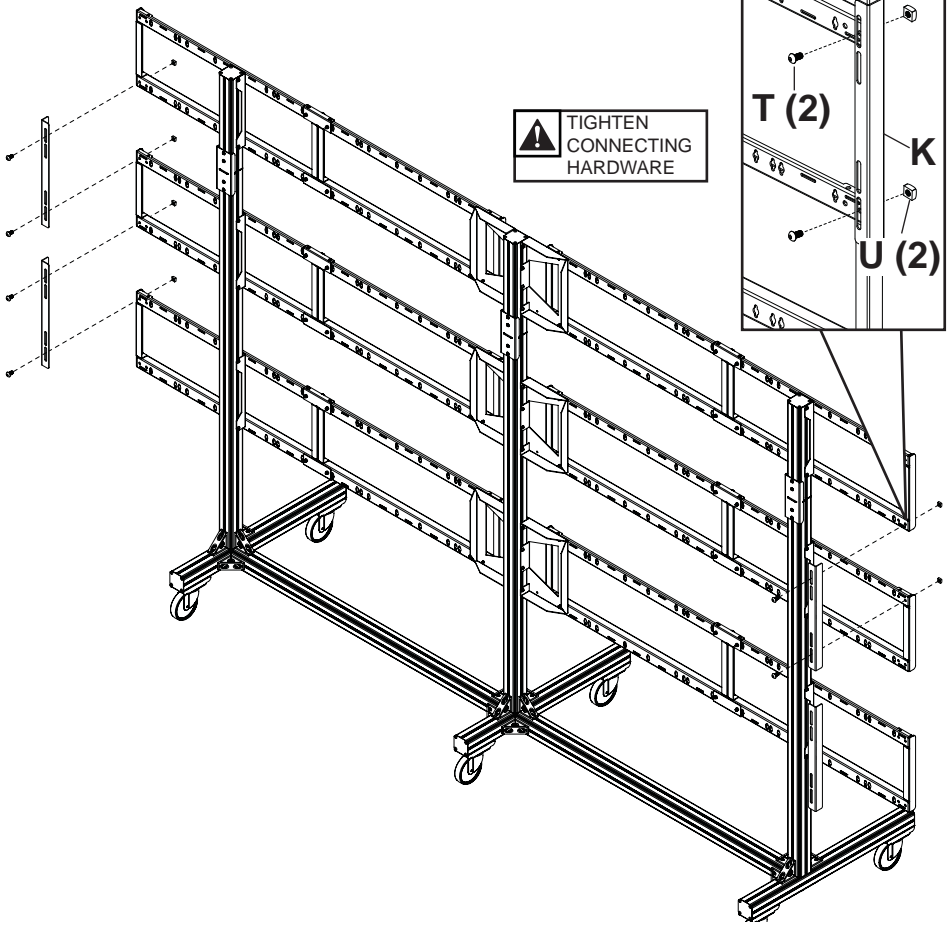






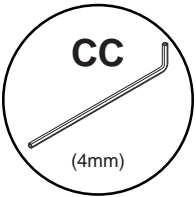
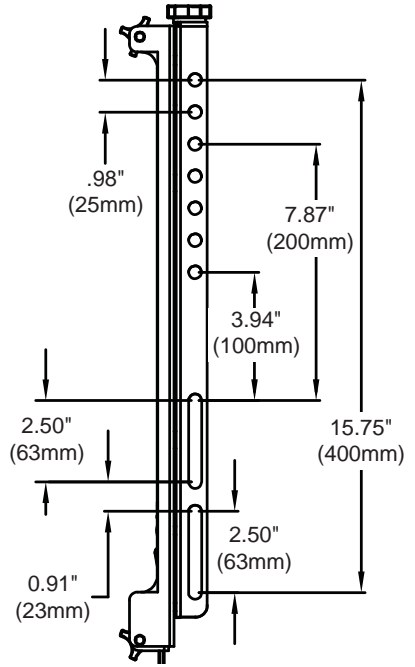
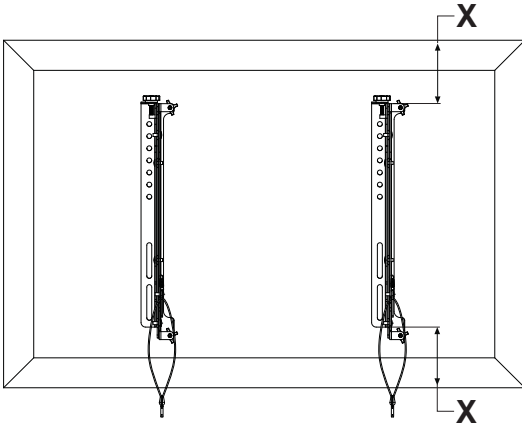






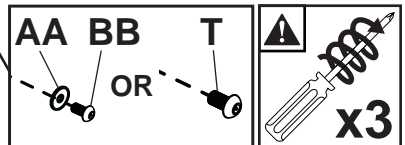
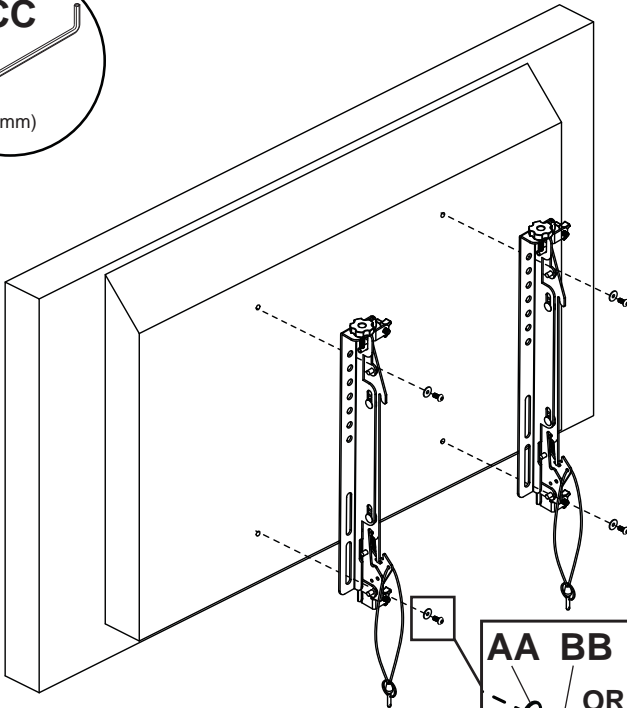
13

Center adaptor brackets vertically on back of screen.



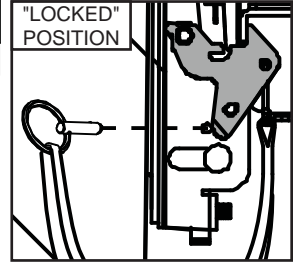
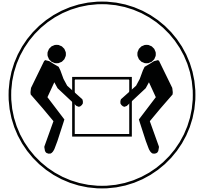
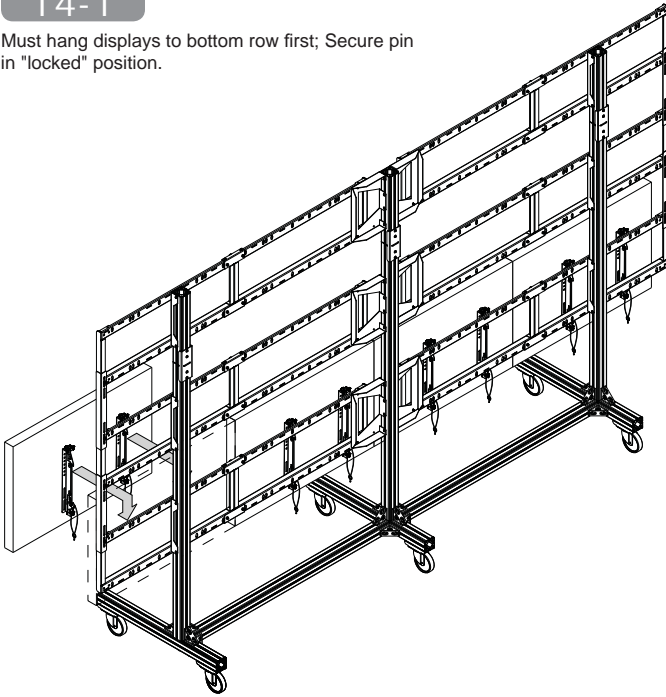
CC

(4mm)



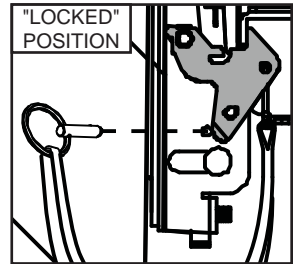
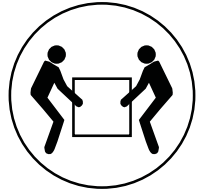
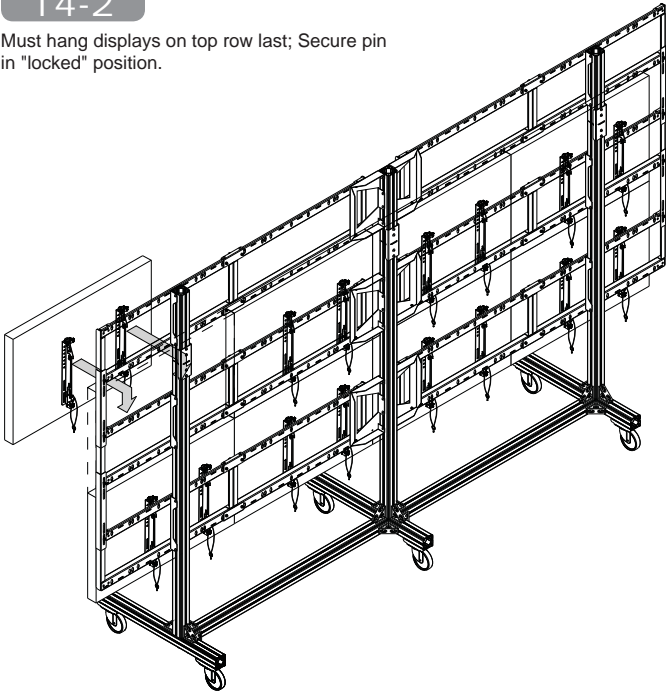
14-1

Must hang displays to bottom row first; Secure pin in "locked" position.



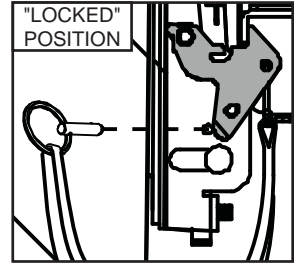
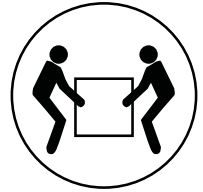
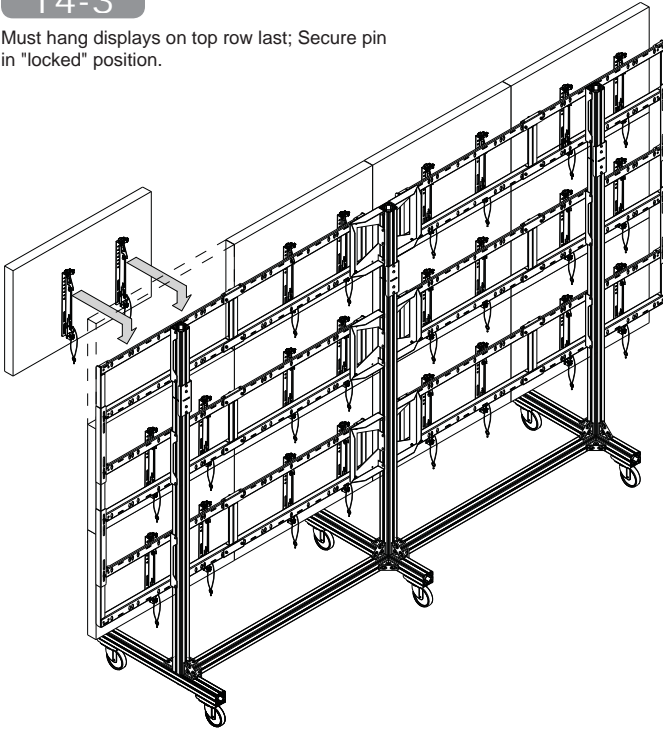
14-2

Must hang displays on top row last; Secure pin in "locked" position.



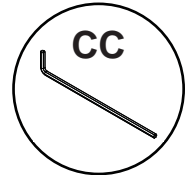
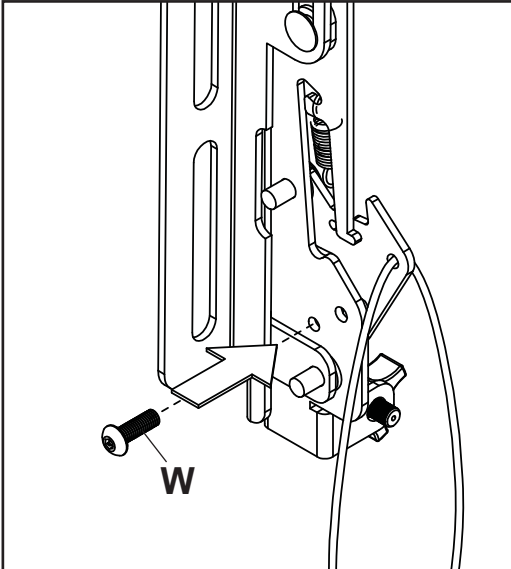
14-3

Must hang displays on top row last; Secure pin in "locked" position.

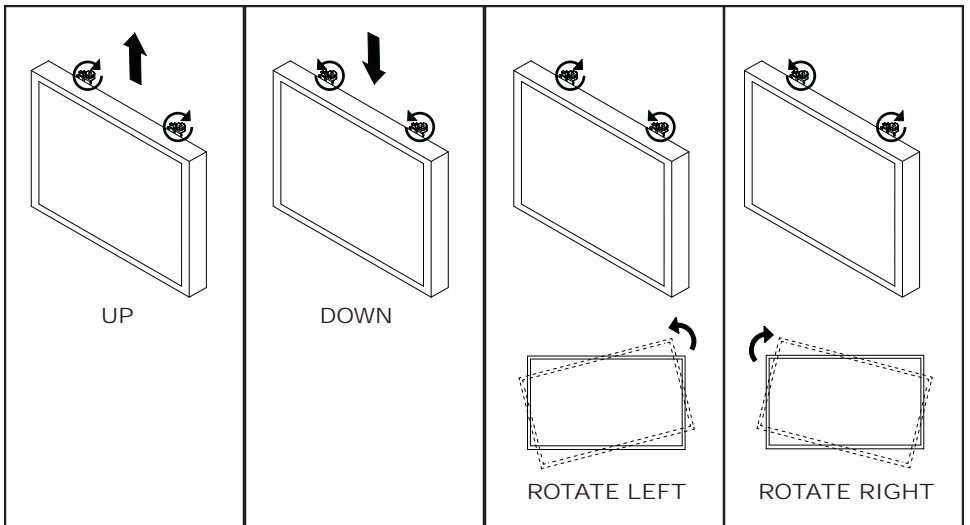
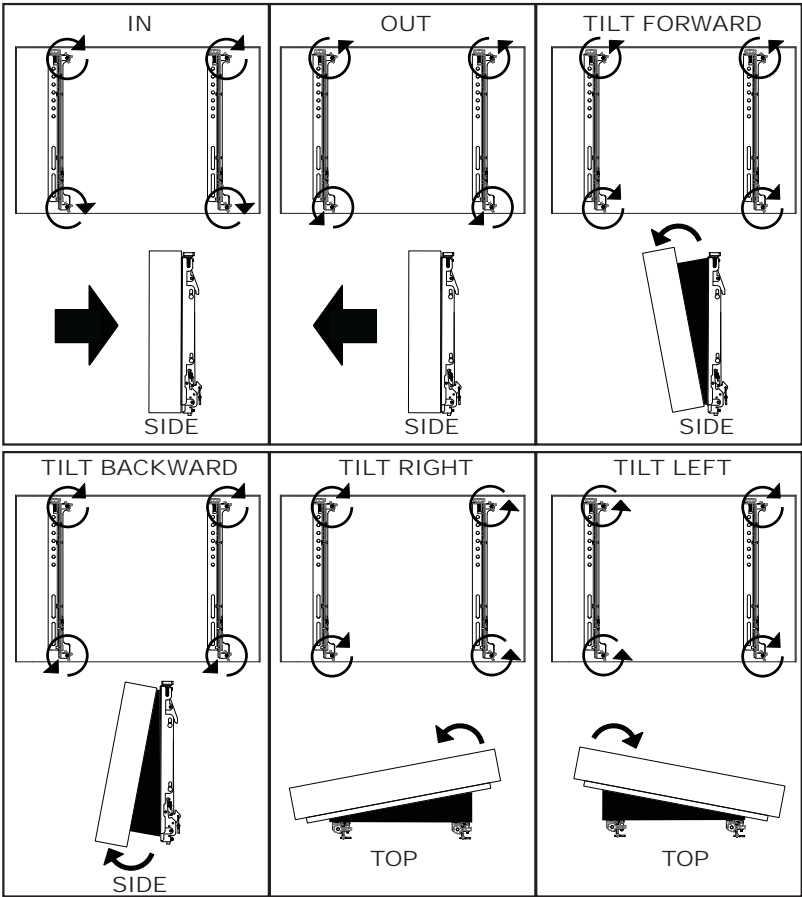


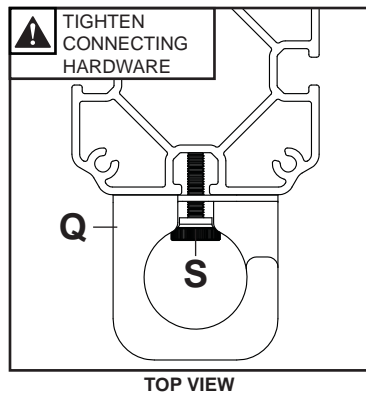
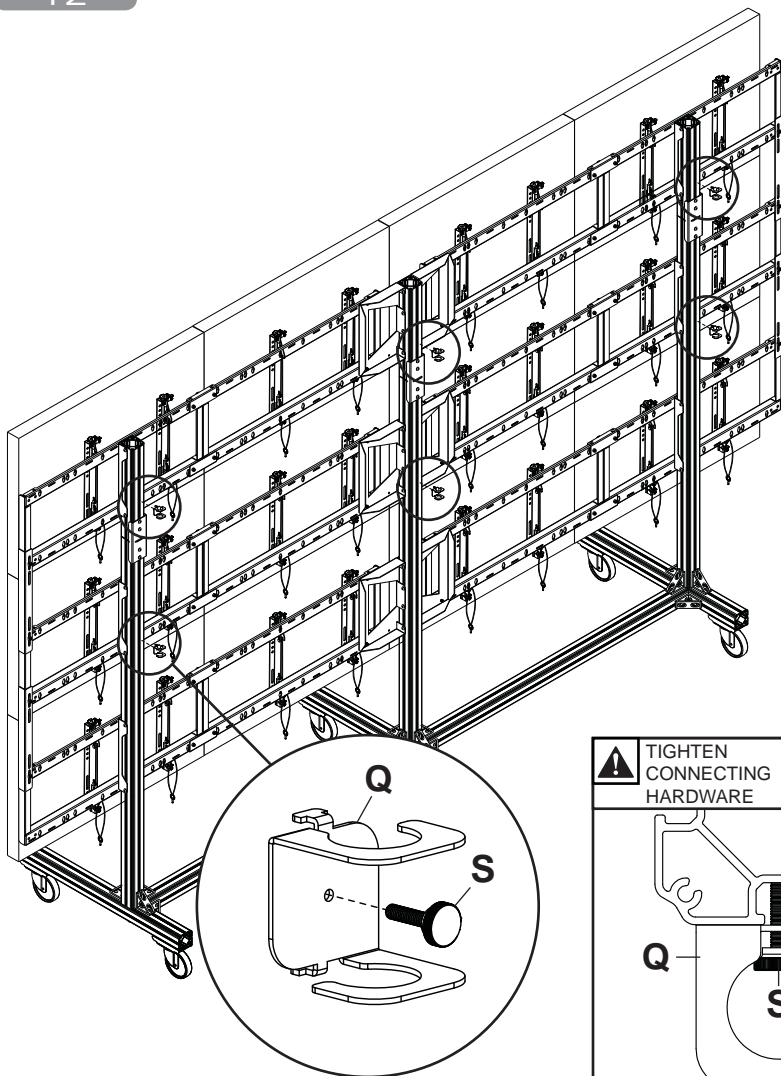
11-4

OPTIONAL: Insert M5 x 10mm type-F socket pin screws to lock latches.

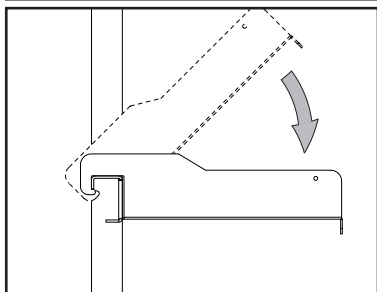
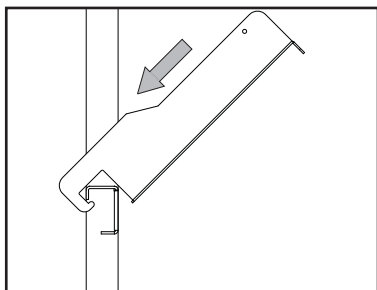
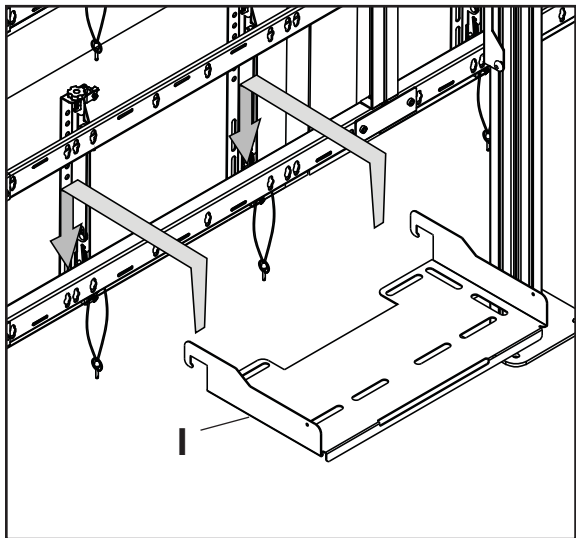


Display Adjustment

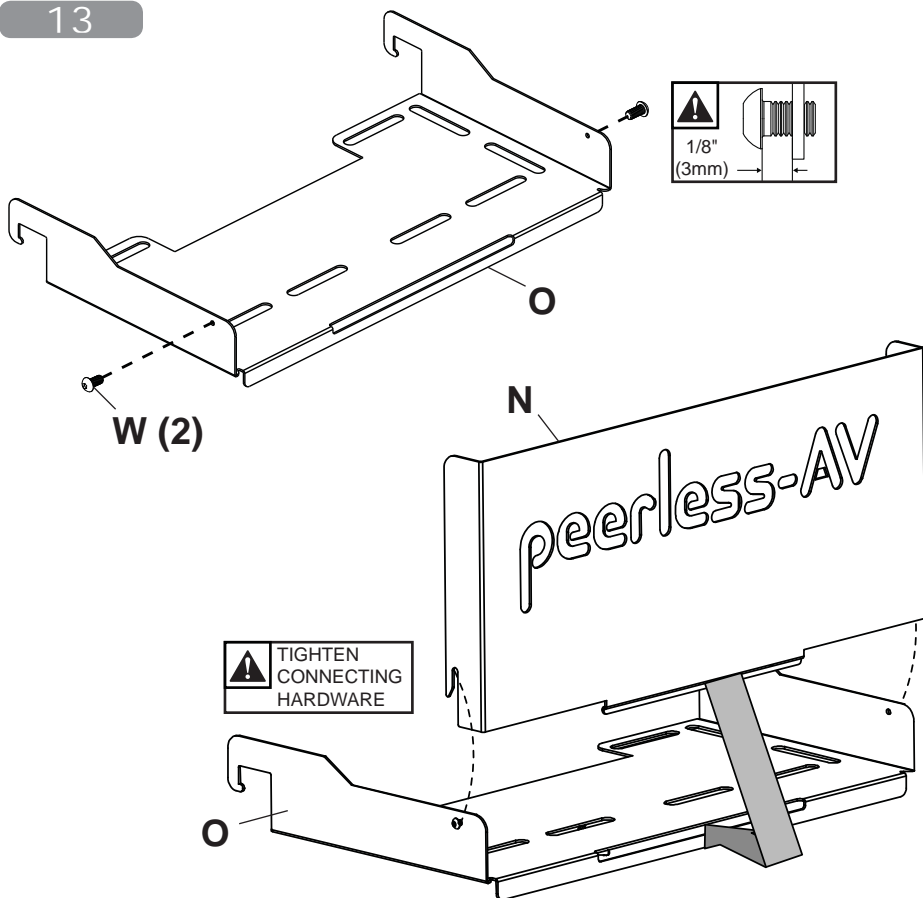




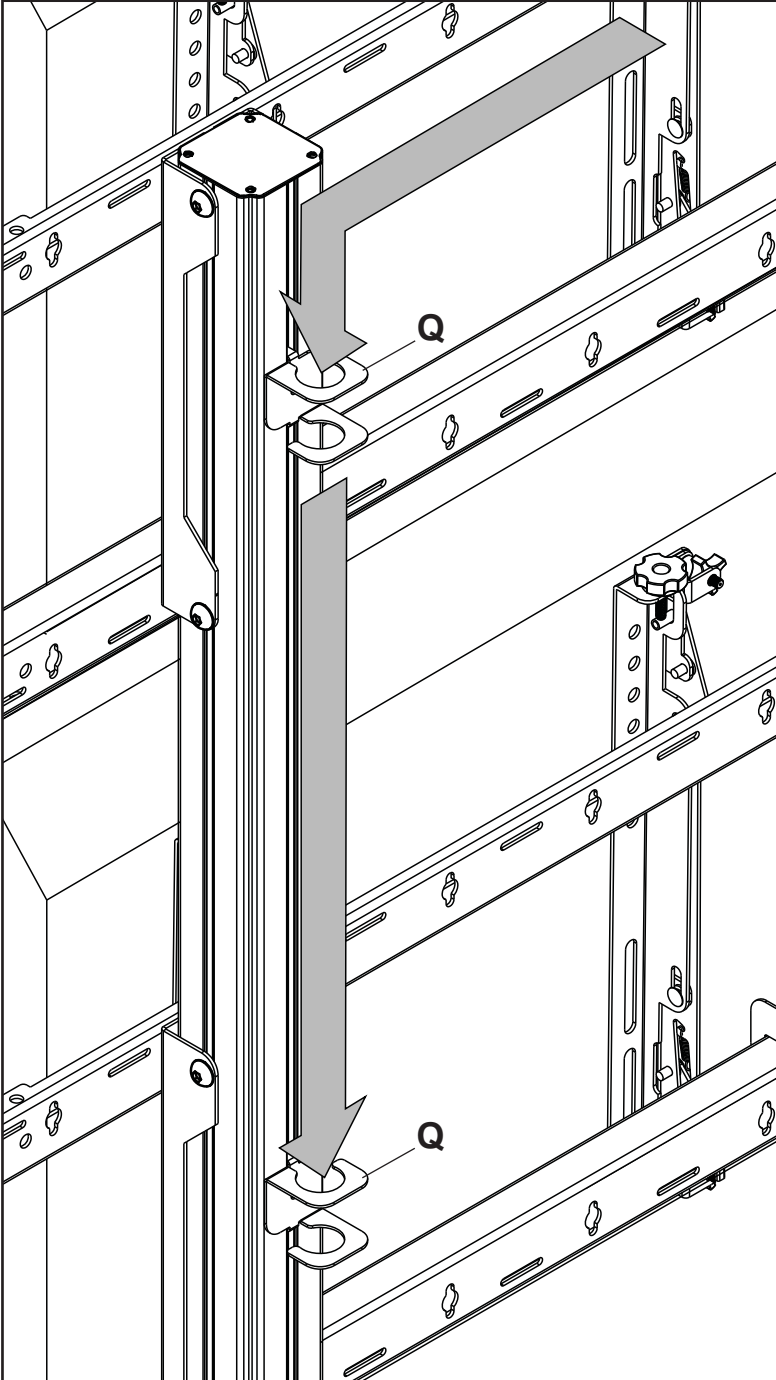
12

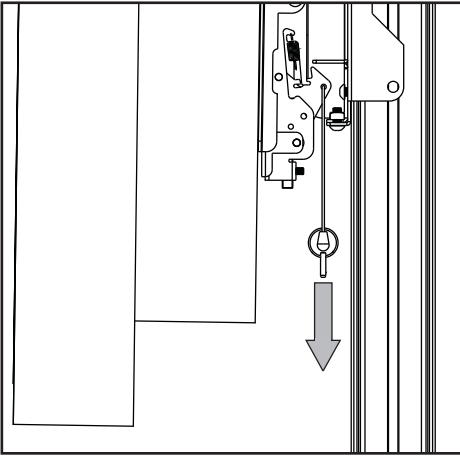


13

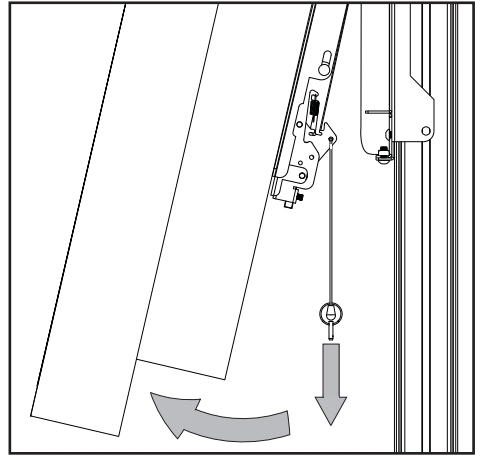


Route cables through cord brackets.



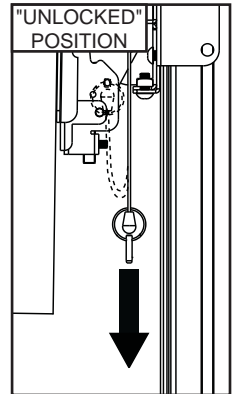
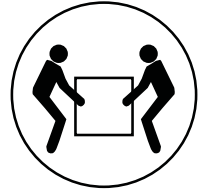
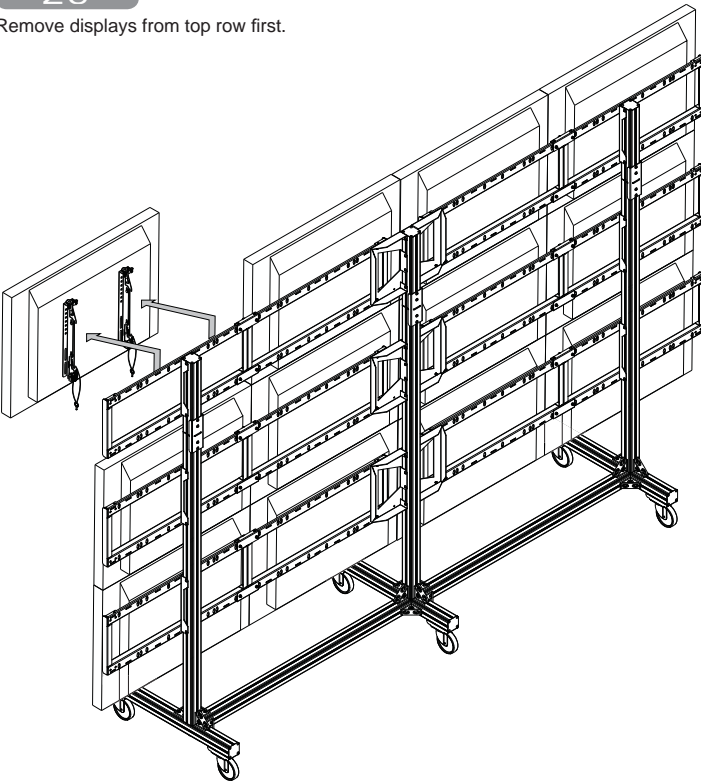


Pull down on bracket cords and hold.



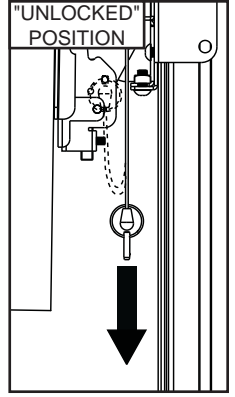
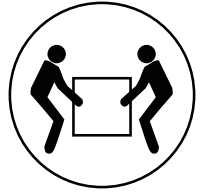
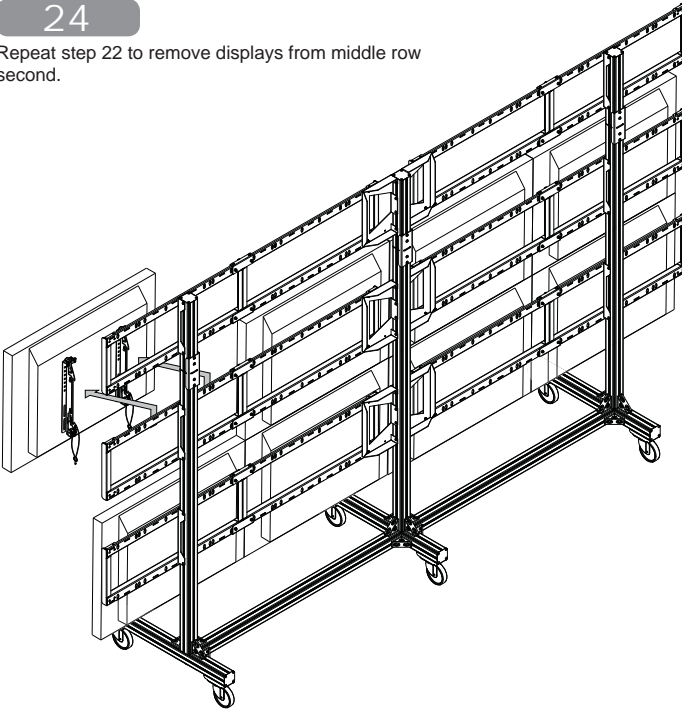
Swing screen away from cart and lift to remove.

Remove displays from top row first.



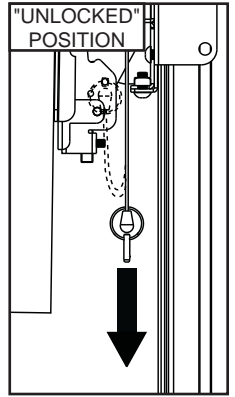
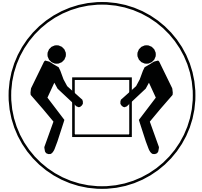
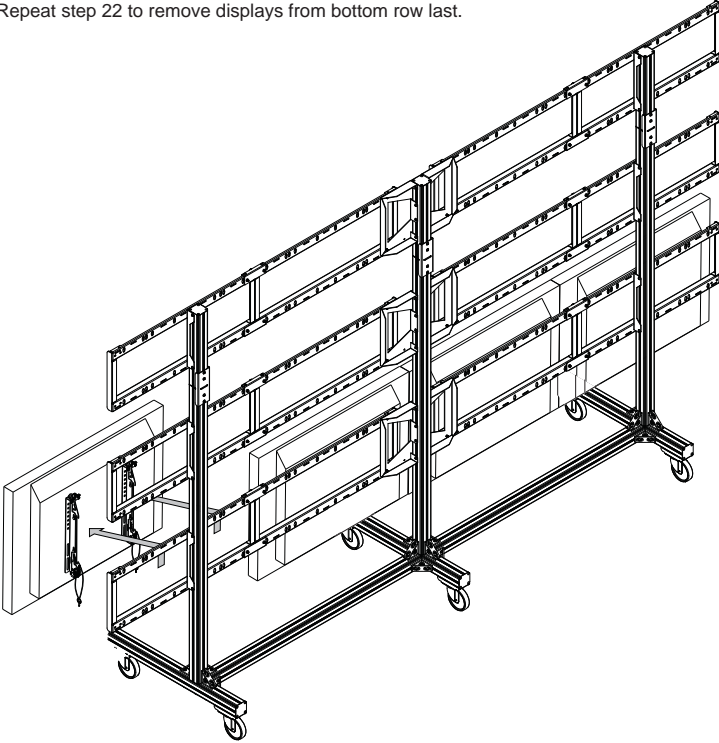
24

Repeat step 22 to remove displays from middle row second.



25

Repeat step 22 to remove displays from bottom row last.



This page intentionally left blank.

LIMITED FIVE-YEAR WARRANTY

Peerless Industries, Inc. ("Peerless") warrants to original end-users of Peerless® products will be free from defects in material and workmanship, under normal use, for a period of five years from the date of purchase by the original end-user (but in no case longer than six years after the date of the product's manufacture). At its option, Peerless will repair or replace, or refund the purchase price of, any product which fails to conform with this warranty.

In no event shall the duration of any implied warranty of merchantability or fitness for a particular purpose be longer than the period of the applicable express warranty set forth above. Some states do not allow limitations on how long a implied warranty lasts, so the above limitation may not apply to you.

This warranty does not cover damage caused by (a) service or repairs by the customer or a person who is not authorized for such service or repairs by Peerless, (b) the failure to utilize proper packing when returning the product, (c) incorrect installation or the failure to follow Peerless' instructions or warnings when installing, using or storing the product, or (d) misuse or accident, in transit or otherwise, including in cases of third party actions and force majeure.

In no event shall Peerless be liable for incidental or consequential damages or damages arising from the theft of any product, whether or not secured by a security device which may be included with the Peerless® product. Some states do not allow the exclusion or limitation of incidental or consequential damages, so the above limitation or exclusion may not apply to you.

This warranty is in lieu of all other warranties, expressed or implied, and is the sole remedy with respect to product defects. No dealer, distributor, installer or other person is authorized to modify or extend this Limited Warranty or impose any obligation on Peerless in connection with the sale of any Peerless® product.

This warranty gives specific legal rights, and you may also have other rights which vary from state to state.

The logo for Peerless-AV features the word "peerless" in a bold, lowercase, red sans-serif font. To its right, the letters "AV" are rendered in a red outline font, with a registered trademark symbol (®) to the upper right of the "V".

Peerless-AV
2300 White Oak Circle
Aurora, IL 60502
Email: tech@peerlessmounts.com
Ph: (800) 865-2112
Fax: (800) 359-6500
www.peerless-av.com

© 2015, Peerless Industries, Inc.

Peerless-AV Europe
Unit 3 Watford Interchange,
Colonial Way, Watford, Herts,
WD24 4WP, United Kingdom
Customer Care
44 (0) 1923 200 100
www.peerless-av.com

© 2015, Peerless Industries, Inc.

Peerless-AV de Mexico
Ave de las Industrias 413
Parque Industrial Escobedo
Escobedo N.L Mexico 66050
Servicio al Cliente
01-800-849-65-77
www.peerless-av.com

© 2015, Peerless Industries, Inc.