

Installation & Assembly - Lightweight Suspended Ceiling Plate for Projector Mounts

Model: CMJ455



This product is intended for use with UL Listed products and must be installed by a qualified professional installer.

This Suspended Ceiling Plate is intended for use only to support Projector Mounts or other products as specified by Peerless.

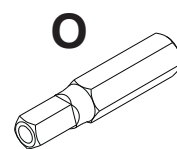
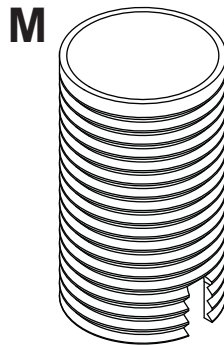
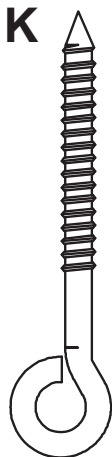
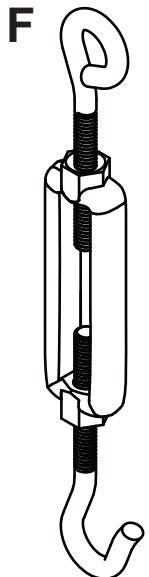
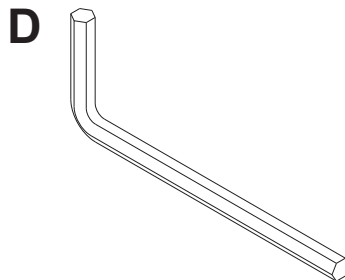
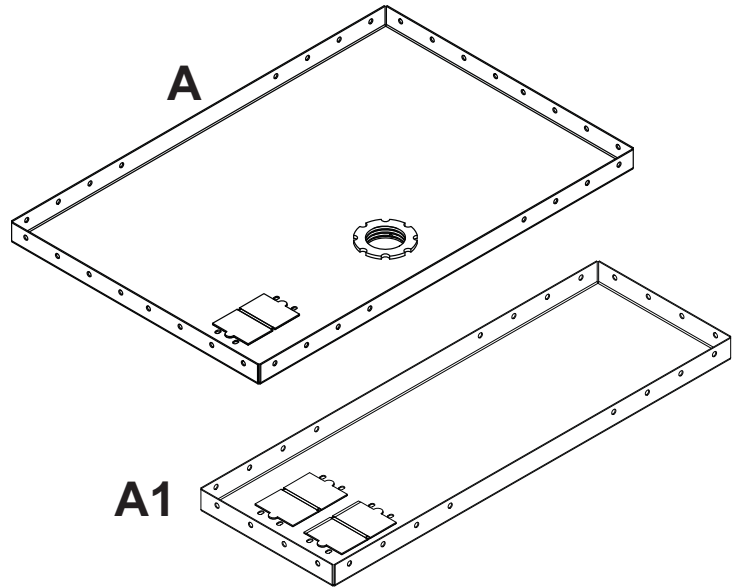
Max. Load Capacity : 50 lb (22.7 kg)

⚠ WARNING

- Weight of TV or screen shall not exceed maximum load capacity.

Parts List

| Description | Qty. | Part # |
|-----------------------------------|------|----------|
| A ceiling tray | 1 | 128-2198 |
| A1 filler tray | 1 | 128-2207 |
| B 1/4"-20 x 3/8" screws | 4 | 520-2015 |
| C 1/4"-20 nuts | 4 | 530-9302 |
| D allen wrench | 1 | 560-9706 |
| F turnbuckle | 4 | 560-9620 |
| G 20' (6.1m) tie wire (not shown) | 1 | 600-2008 |
| K eye bolt | 5 | 580-0006 |
| L concrete anchor | 5 | 580-0005 |
| M flush mount tube | 1 | 1446-014 |
| N M5 x 10 mm penta pin screw | 1 | 505-9010 |
| O M5 x 1" penta pin driver | 1 | 520-9249 |

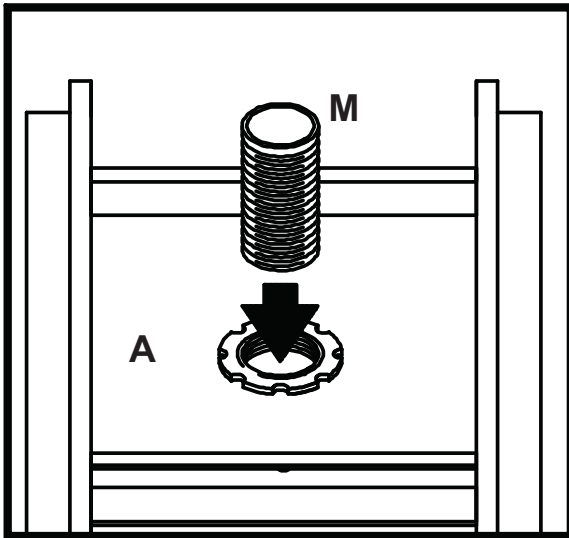


IMPORTANT PRE-ASSEMBLY INFORMATION:

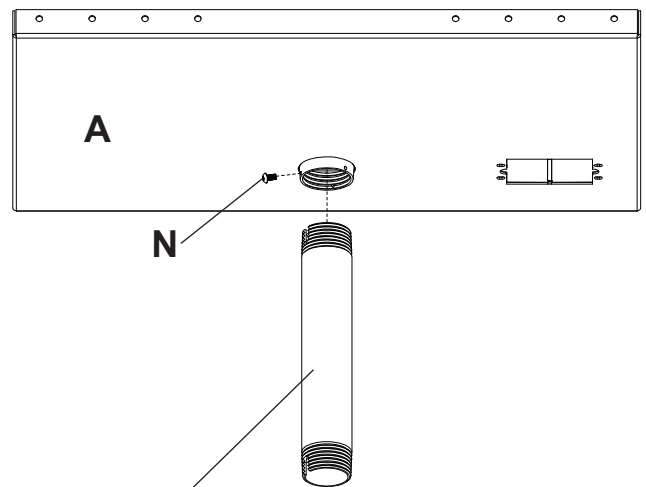
Ceiling Trays (A), and (A1) are designed to fit within a 24" (610 mm) x 24" (610 mm) section of a conventional suspended ceiling system. Ceiling runners (see **DETAIL 1, page 4**) should have a "T" cross section and a minimum height of 1.5" (38 mm). In cases where 24" (610 mm) x 48" (1219 mm) ceiling tiles are used, cut one tile in half and add another 24" (610 mm) ceiling runner in order to make a 24" (610 mm) x 24" (610 mm) section.

For certain installations it may be best to install ceiling anchors (**step 4**) before installing the ceiling tray (**step 3**).

- 1** For **FLUSH MOUNT TUBE Installation:** From the top, thread the flush mount tube (M) through retaining collar in ceiling tray (A).
Skip to step 3.

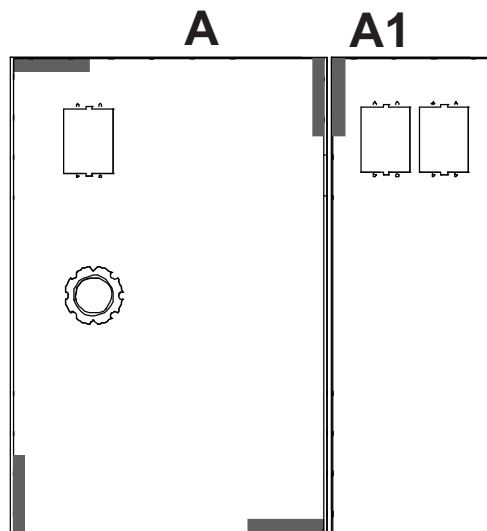
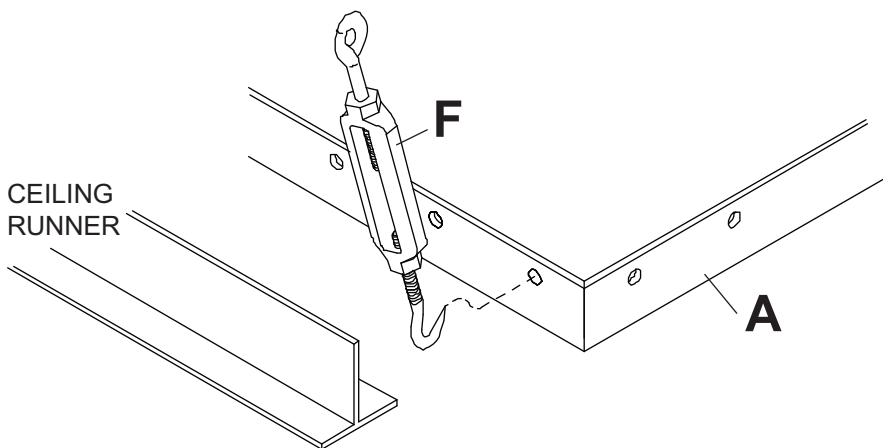


- 2** For **EXTENSION COLUMN Installation:** From the bottom up, thread extension column (not included) up through retaining collar in adjustable collar mount plate. Align notch in extension column with hole in collar and fasten using M5 x 10 mm penta pin screw (N) with M5 penta pin driver (O) as shown below.

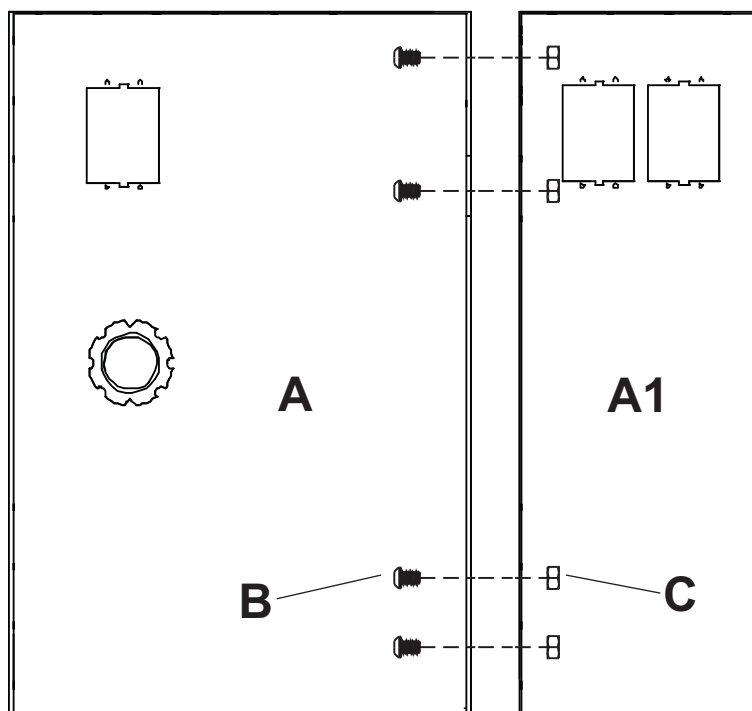


1 1/2" EXTENSION COLUMN
(SOLD SEPARATELY)
(UL LISTED EXT OR AEC SERIES)

- 3** Place Ceiling Tray (A) into 24" (610 mm) x 24" (610 mm) opening in ceiling (in place of a ceiling tile) with retaining collar to center, right, or left. Place filler tray (A1) into gap. Attach ceiling tray (A) to filler tray (A1) using four bolts (B) and four nuts (C). Hook turnbuckles (F) into ceiling tray (A). Hook one turnbuckle through filler tray (A1) and ceiling tray (A) where indicated by black rectangles in illustration below.



TOP VIEW - CEILING TRAY
Black rectangles show correct positions for Turnbuckles.



4 Cut tie wire (G) into four pieces of equal length. Insert wires through the ends of the turnbuckles. Twist each wire around itself at least six times as tightly as possible.

Drill holes for four ceiling anchors (see "Various Anchoring Methods"). Position the holes so when the tie wires are attached and taut the optimal angle is 15° (see figure 5.1 for reference). Unit may be mounted at an angle up to 45° if necessary.

Pull tie wires tight and attach to ends of ceiling anchors (or truss). Again twist each wire around itself at least six times as tightly as possible.

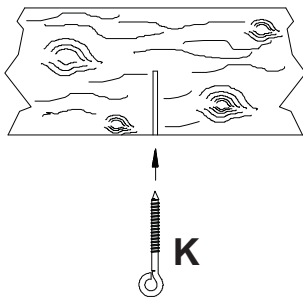
When this step is complete, the weight of the ceiling tray should be supported by the tie wires.

Note: 20' (6.1 m) of tie wire (G) is provided. If space between the true ceiling and suspended ceiling is more than 36" (914 mm), additional wire (12 gauge annealed, steel, black) will be needed.

VARIOUS ANCHORING METHODS

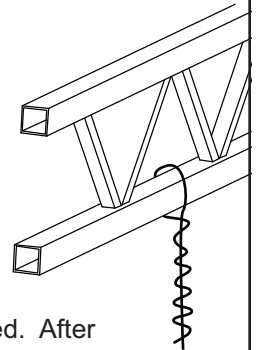
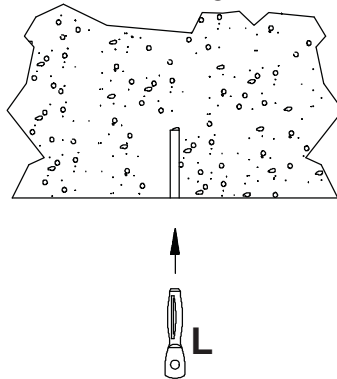
Wood Joists or Beams

Drill 5/32" (4 mm) dia. holes 2" (51 mm) deep. Fully insert eye bolts (K).



Solid Concrete

Drill 1/4" (6 mm) dia. holes 1.5" (38 mm) deep. Hammer in Concrete Anchor (L) using Rawl #3250 setting tool or equivalent.



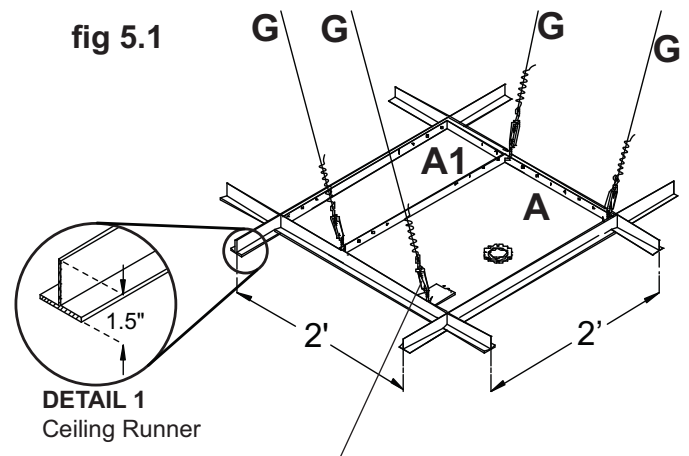
Truss Ceiling

No anchor required. After attaching tie wire to turnbuckle loop upper end around ceiling truss. Pull tie wire tight and twist it around itself at least six times as tightly as possible.

⚠ WARNING

- Installer must verify that the ceiling will safely support four times the combined weight of all attached equipment and hardware.
- Never attach hooks to filler tray.

5 Suspended Ceiling Kit installation is now complete. After all components (Projector Mount, Extension Column, etc.) and equipment have been attached, tension the tie wires by adjusting turnbuckles (F). **Load must be carried by tie wires - not suspended ceiling runners.**



Knockout panels are provided for electrical outlet boxes and antenna leads.

LIMITED FIVE-YEAR WARRANTY

Peerless Industries, Inc. establishes a warranty period of five years for products manufactured or supplied by Peerless. This period commences from the date of sale of the product to the original consumer, but will in no case last for more than six years after the date of the product's manufacture. During the warranty period such products will be free from defects in material and workmanship, provided they are installed and used in compliance with the instructions established by Peerless Industries, Inc. Subject to applicable legal requirements, during the warranty period Peerless will repair or replace, or refund the purchase price of, any such product which fails to conform with this warranty.

Any other warranties prescribed by the law which may apply with respect to such products also are limited in duration to the warranty period specified in this Limited Five-Year Warranty.

This warranty does not cover damage caused by (a) service or repairs by the customer or a person who is not authorized for such service or repairs by Peerless Industries, Inc., (b) the failure to utilize proper packing when returning the product, (c) incorrect installation or the failure to follow Peerless' instructions or warnings when installing, using or storing the product, or (d) misuse or accident, in transit or otherwise, including in cases of third party actions and force majeure.

In no event shall Peerless be liable for incidental or consequential damages or damages arising from the theft of any product, whether or not secured by a security device which may be included with the product.

This Limited Five-Year Warranty is in lieu of all other warranties, expressed or implied, and is the sole remedy with respect to product defects. No retailer, dealer, distributor, installer or other person is authorized to modify or extend this warranty or impose any obligation on Peerless in connection with the sale of any product manufactured or supplied by Peerless.

This warranty gives specific legal rights, and you may also have other rights provided by the national legislation of the country in which you purchased such product.

peerless®

www.peerlessmounts.com

© 2008 Peerless Industries, Inc.