

Peerless Unistrut® and Structural Ceiling Plates attach to standard 1 5/8" x 1 5/8" unistrut or to a solid structural surface.



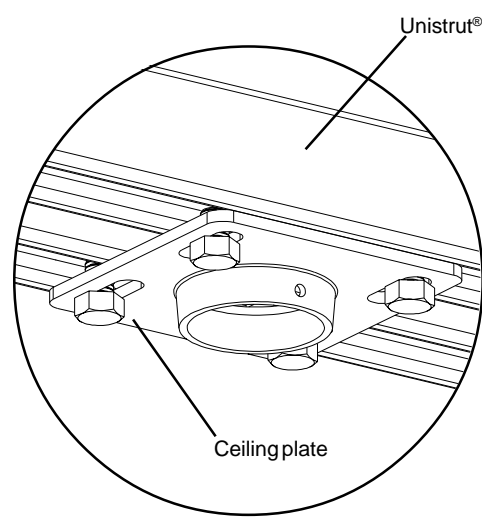
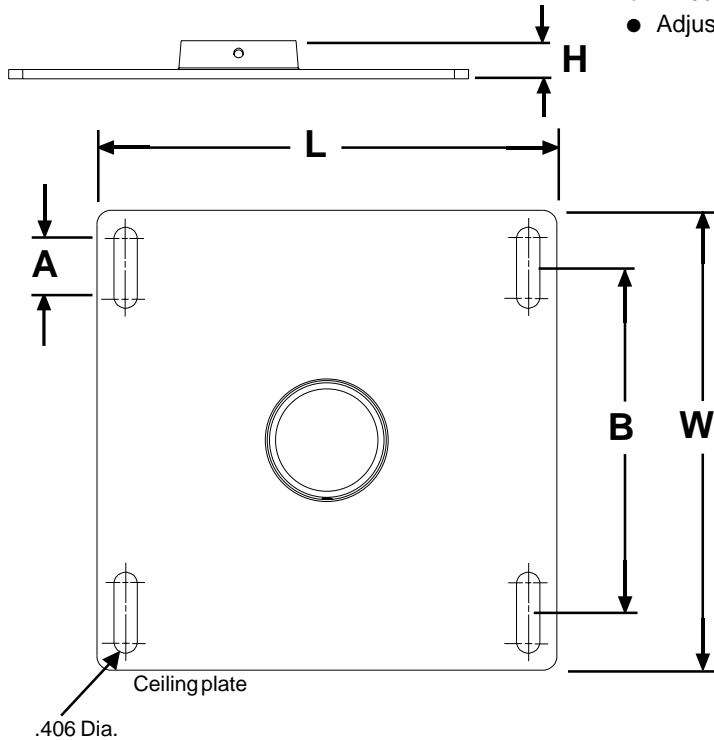
This product is intended for use with UL Listed products and must be installed by a qualified professional installer.

Features:

- Eight gauge cold rolled steel construction.
- Two sizes, 4 x 4 and 8 x 8.
- For structural ceiling applications, the installer must provide appropriate anchors.
- Use in conjunction with Unistrut® fittings, not included, for attachment to Unistrut®.
- Accepts Peerless EXT or ADJ 1 1/2" -11.5 NPT extension columns.

Accessories:

- Fixed length extension columns, **EXT 006 - EXT 110.**
- Adjustable length extension columns **ADJ 006009 - ADJ 1012**



All dimensions: inches (millimeters)

| MODEL | L | W | H | A | B | Weight | Shipping Weight | Max. Load |
|----------------|----------------------|----------------------|-----------------------|-----------------------|------------------------|--------------------------------|--------------------------------|---------------------------------|
| CMJ 300 | 4" (101.6) | 4" (101.6) | .66" (16.8) | .75" (19.1) | 2.25" (57.2) | .64 lbs. (.29 kg.) | 1.25 lbs. (.57 kg.) | 250 lbs. (113.64 kg.) |
| CMJ 310 | 8" (203.2) | 8" (203.2) | .66" (16.8) | 1" (25.4) | 6" (152.4) | 2.92 lbs. (1.33 kg.) | 3.25 lbs. (1.48 kg.) | 250 lbs. (113.64 kg.) |

ARCHITECTS SPECIFICATIONS

The Ceiling plate shall be a Peerless model CMJ 300 or CMJ 310 and shall be located where indicated on the plans. It shall be constructed of eight gauge cold rolled steel. The Ceiling plate shall be UL Listed. The finish shall be scratch resistant Black Fused Epoxy. Assembly and installation shall be done according to instructions provided by the manufacturer.



Peerless Industries, Inc. 1980 Hawthorne Ave. Melrose Park, IL 60160
708-865-8870 800-865-2112 Fax 708-865-2941 www.peerlessindustries.com

©2001 Peerless Industries, Inc. All rights reserved.
Peerless is a trademark of Peerless Industries, Inc. Unistrut is a registered trademark of Unistrut Corporation.

TECHNICAL DATA SHEET

Peerless Unistrut® and Structural Ceiling Plates