

Installation and Assembly - Multi-Display Extension Columns

Models: ADD0203, ADD0305, ADD0406, ADD0507, ADD0608, ADD0709, ADD0810, ADD0911, ADD1012, ADD012018, ADD018024



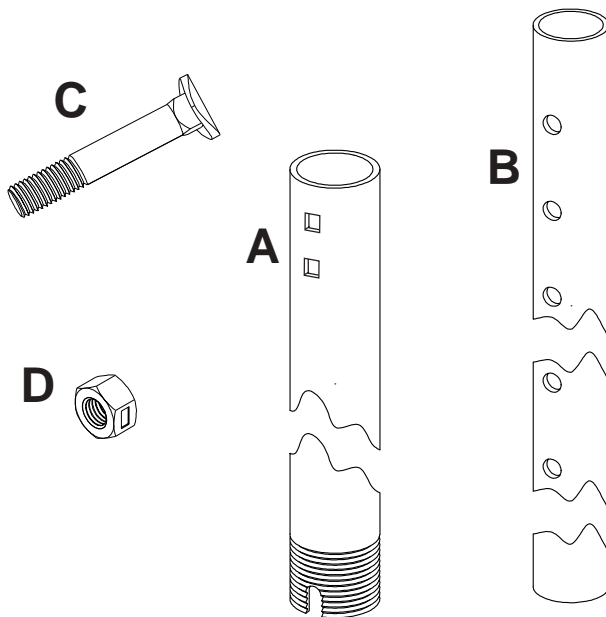
This product is intended for use with UL Listed products and must be installed by a qualified professional installer.

MAXIMUM LOAD CAPACITY: 800 lb (364 kg)

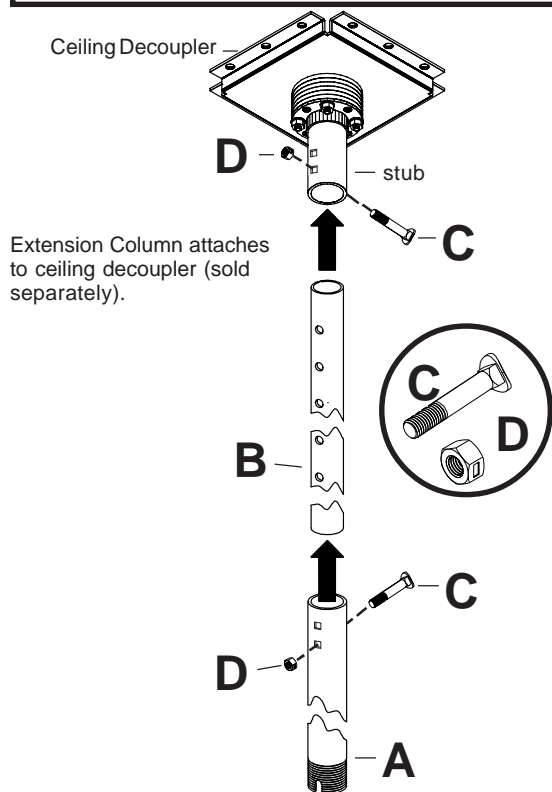
IMPORTANT! Read entire instruction sheet before you start installation and assembly.

Parts List			
PART #	QTY.	DESCRIPTION	
A	2MD-55VS11D	1	extension pipe (ADD0203 only)
	2MD-55VS12D		extension pipe (ADD0305 only)
	2MD-55VS10D		extension pipe (ADD0406 only)
	2MD-55VS01D		extension pipe (ADD0507 only)
	2MD-55VS09D		extension pipe (ADD0608 only)
	2MD-55VS03W		extension pipe (ADD0709 only)
	2MD-55VS08W		extension pipe (ADD0810 only)
	2MD-55VS05W		extension pipe (ADD0911 only)
	2MD-55VS06W		extension pipe (ADD1012 only)
	154-1032		extension pipe (ADD012018 only)
	154-1034		extension pipe (ADD018024 only)
B	154-1001	1	adjuster tube (ADD0203 only)
	154-1002		(all models except ADD0203, ADD012018, ADD018024)
	154-1029		(ADD012018, ADD018024 only)
C	580-1022	2	M10 x 60 mm curved carriage bolt
D	530-9402	2	M10 x 1.5 center lock nut

Before you start make sure all parts listed are included with your product.



Some parts may appear slightly different than illustrated.



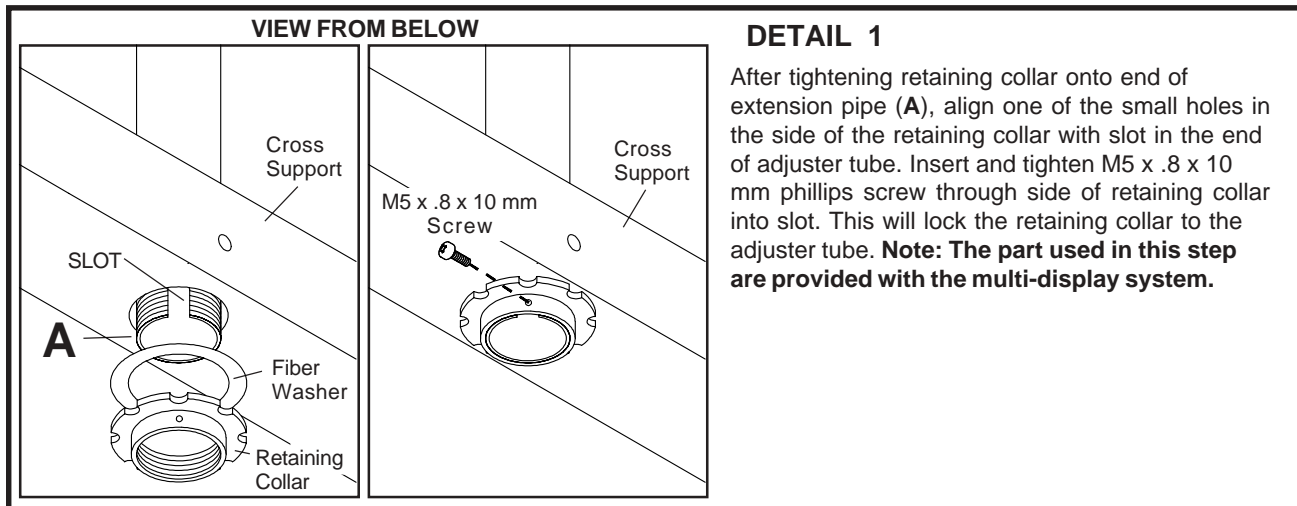
- 1** Install Ceiling Decoupler according to instructions provided with it.
- 2** Align hole in adjuster tube (B) with hole in stub. Attach with one bolt (C) and lock nut (D).
- 3** Slide extension pipe (A) over adjuster tube (B) to the desired height. Attach with one bolt (C) and lock nut (D).

WARNING

- Installer must verify that the wall will safely support four times the combined weight of all attached equipment and hardware.

- 4** Attach extension column to multi-display mount as shown using M5 x .8 x 10 mm screw, fiber washer and retaining collar sold with multi display systems.

IMPORTANT: Lock retaining collar as shown in DETAIL 1 .



⚠ WARNING

- For safety retaining collar must be locked to adjuster tube!