

TECHNICAL DATA SHEET - Side to Side Adjuster

peerless®

MODEL: ACC830

The Side to Side Adjuster for use with the Vector Pro™ projector mounts provides up to 4" of radial adjustment.

Features

- Up to 4" of radial adjustment allows projector to be offset from mounting point
- Can be used with ACC800 cord management adapter
- Accepts Peerless EXT and AEC 1-1/2" schedule 40 extension columns
- Finished in scratch resistant black fused epoxy

Dimensions:

Weight: **1.15lbs (0.5kg)**

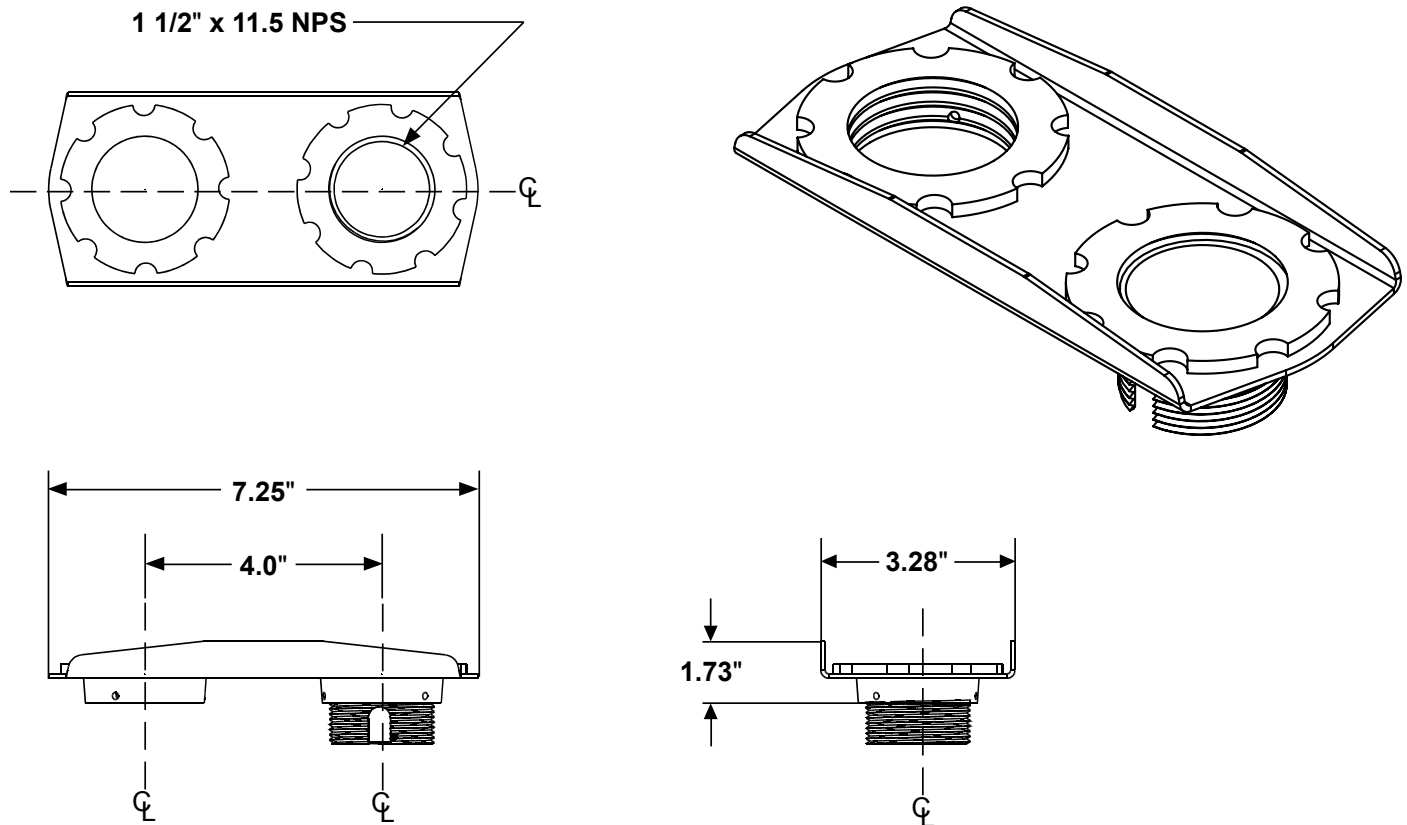
Shipping weight: **1.3lbs (0.6kg)**

Shipping Carton dimensions:

L = **5.75in (146mm)**

W = **3.25in (83mm)**

H = **2.25in (57mm)**



ARCHITECTS SPECIFICATIONS:

The Side to Side Adjuster shall be a Peerless model **ACC830**. It shall allow up to 4" of radial adjustment. It shall be made from cold rolled steel and finished in scratch resistant black fused epoxy. Installation and assembly shall be done in accordance with the instructions provided by the manufacturer.

Peerless Industries, Inc.
3215 W. North Ave. Melrose Park, IL 60160
708-865-8870 800-865-2112 Fax 708-865-2941
www.peerlessindustries.com

ISSUED: 01-24-02 SHEET NO: 055-9573-2 10-15-10

©2001 Peerless Industries, Inc. All rights reserved.
Peerless is a registered trademark of Peerless Industries, Inc.
Vector Pro is a trademark of Peerless Industries, Inc.