

ACC2X1



Max load
25lb (11kg)

VESA® 200 x 100mm Adaptor Plate

FOR SELECT PEERLESS-AV® VESA® 75 and 100mm MOUNTS

The ACC2X1 easily expands the mounting pattern compatibility of the SmartMount® and Paramount™ series mounts. The slim design of the adaptor keeps the mount lightweight, while allowing the display to be mounted close to the wall. Installation is quick and hassle-free and adds extra VESA® compatibility to the mount.

Easily increase the mounting pattern of a VESA® 75 or 100 mount to accommodate a VESA® 200 x 100mm display.



Additional Features

- ✓ Increases the mounting pattern of VESA® 75 and 100mm mounts to allow 200 x 100mm mounting
- ✓ Maintains slim design of the original mount, while expanding the mounting pattern
- ✓ Compatible with PF630, PT630, PP730, PA730, SF630(P), ST630(P), SP730P, SA730P models



ADDED COMPATIBILITY
Expands the mounting pattern of Peerless-AV SmartMount® and Paramount™ series mounts



Compatible with PF630, PT630, PP730, PA730, SF630(P), ST630(P), SP730P, SA730P models



ACC2X1 VESA® 200 x 100mm Adaptor Plate for Select Peerless-AV® VESA® 75 and 100mm Mounts

Product Specifications

	DIMENSIONS (W x H x D)	PRODUCT WEIGHT	LOAD CAPACITY	FINISH	AVAILABLE COLORS
ACC2X1	3.14" x 4.95" x 0.07" (80 x 126 x 2mm)	0.35lb (0.16kg)	25lb (11kg)	Scratch resistant fused epoxy	Semi-gloss black

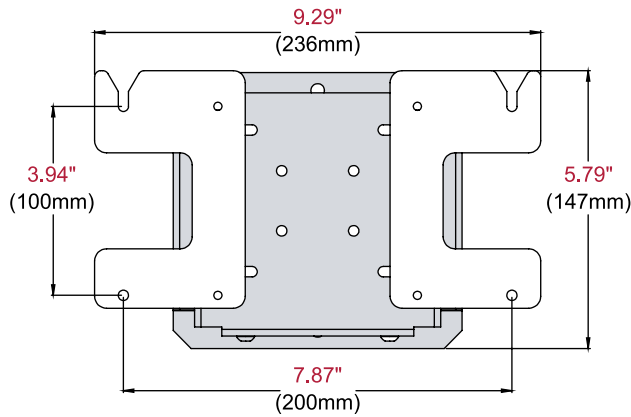
Package Specifications

	PACKAGE SIZE (W x H x D)	PACKAGE SHIP WEIGHT	PACKAGE UPC CODE	PACKAGE CONTENTS	UNITS IN PACKAGE
ACC2X1	5.75" x 3.25" x 2.30" (146 x 83 x 58mm)	0.77lb (0.35kg)	735029307174	Adaptor brackets and mounting hardware	1

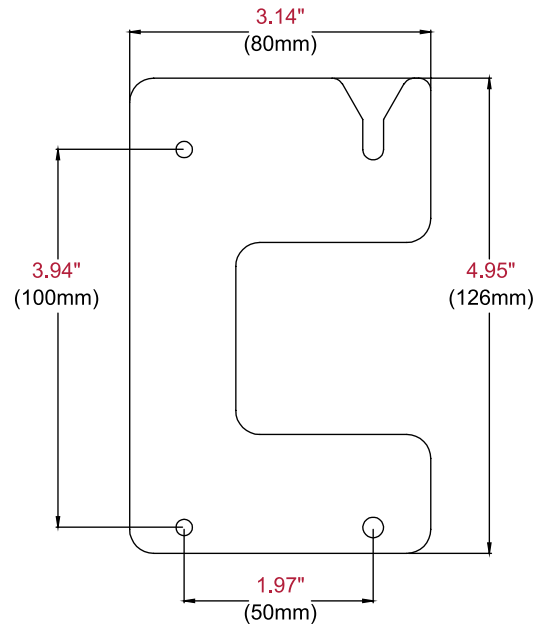
Compatibility

- PF630:** Paramount™ Flat Wall Mount
- PT630:** Paramount™ Tilt Wall Mount
- PP730:** Paramount™ Pivoting Wall Mount
- PA730:** Paramount™ Articulating Wall Mount
- SF630(P):** SmartMount® Flat Wall Mount
- ST630(P):** SmartMount® Tilt Wall Mount
- SP730P:** SmartMount® Pivoting Wall Mount
- SA730P:** SmartMount® Articulating Wall Mount

All dimensions = inch (mm)



**FRONT VIEW
ATTACHED TO SF630**



**ADAPTOR
BRACKET**

Architect Specifications

The VESA® 200 x 100mm Adaptor Plate shall be a Peerless-AV model ACC2X1 and shall be located where indicated on the plans. Assembly and installation shall be done according to instructions provided by the manufacturer.

Visit peerless-av.com to see the complete line of AV solutions from Peerless-AV, including outdoor displays, wireless, kiosks, digital audio, display mounts, projector mounts, carts/stands, and a full assortment of accessories.

Peerless-AV
2300 White Oak Circle
Aurora, IL 60502 USA
(800) 865-2112
(630) 375-5100
Fax: (800) 359-6500

Peerless-AV Europe
Unit 3 Watford Interchange
Colonial Way, Watford
Herts, WD24 4WP
United Kingdom
+44 (0) 1923 200100
Fax: +44 (0) 1923 200101

Peerless-AV de México
Ave de las Industrias 413
Parque Industrial Escobedo
Escobedo, N.L.,
Mexico 66050
+52 (81) 8384-8300
Fax: +52 (81) 8384-8360

