

ACC217

## Extension Column Shelf

Compatible with Peerless-AV extension columns

The ACC217 is an accessory shelf that supports a variety of media devices and connects to Peerless-AV extension columns. The large open shelf provides easy access to media devices for a quick and easy set up. In addition, the pole clamp design allows for perfect positioning anywhere along the extension column.



Max load: 25lb (9.3kg)

### FEATURES

- Heavy gauge cold rolled steel construction
- Scratch resistant fused epoxy
- Height adjustable
- Quick release knob for quick and easy adjustment
- Ample shelf surface for accommodating a wide range of media players



Quick Release Knob



Accommodates a wide range of media players

**ACC217:** Extension Column Shelf compatible with Peerless-AV extension columns

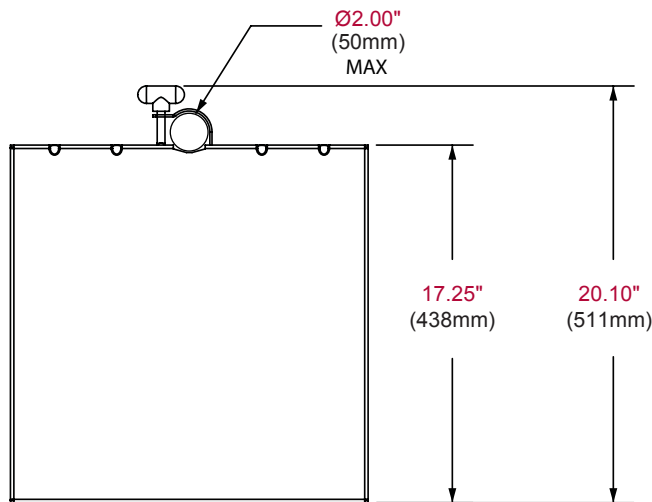
**Product Specifications**

	DIMENSIONS (W x H x D)	PRODUCT WEIGHT	LOAD CAPACITY	FINISH	AVAILABLE COLORS
ACC217	17.25" x 20.1" x 2.75" (438 x 511 x 70mm)	11.2lb (5.1kg)	25lb (9.3kg)	Powder Coat	Black

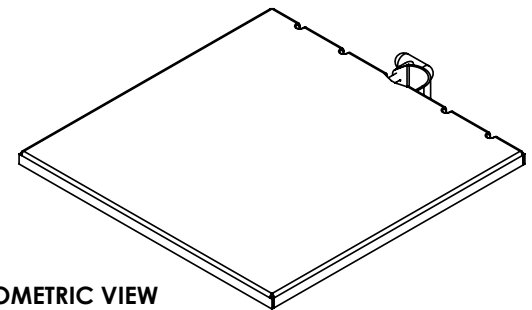
**Package Specifications**

	PACKAGE SIZE (W x H x D)	PACKAGE SHIP WEIGHT	PACKAGE UPC CODE	PACKAGE CONTENTS	UNITS IN PACKAGE
ACC217	23.875" x 22.375" x 5.125" (606 x 568 x 130mm)	14lb (6.4kg)	735029300373	Shelf, clamp and hardware	1

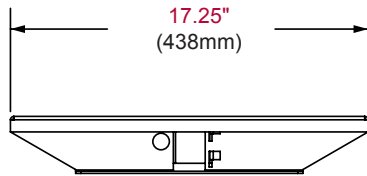
All dimensions = inch (mm)



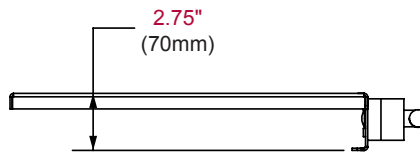
**TOP VIEW**



**ISOMETRIC VIEW**



**FRONT VIEW**



**SIDE VIEW**

**ARCHITECTS SPECIFICATIONS**

The Extension Column Shelf shall be Peerless-AV model ACC217 and shall be located where indicated on the plans. It shall be constructed of heavy gauge steel. The finish shall be scratch resistant black fused epoxy. Assembly and installation shall be done according to instructions provided by the manufacturer.

Peerless Industries, Inc. ■ 2300 White Oak Circle ■ Aurora, IL 60502 ■ (800) 865-2112 ■ (630) 375-5100 ■ Fax: (800) 359-6500 ■ peerless-av.com

Visit peerless-av.com to see the complete line of AV solutions from Peerless-AV, including flat panel mounts, projector mounts, carts/stands, furniture, cables, screen cleaners and a full assortment of accessories.