

# Installation and Assembly - Internal Joist Mount

Model: ACC 120

**IMPORTANT!** Read entire instruction sheet before beginning installation and assembly.

**MAXIMUM LOAD CAPACITY: 300 lb (137 kg)**  
Maximum Load capacity refers to the combined load of all attached equipment and hardware.

## ⚠ WARNING

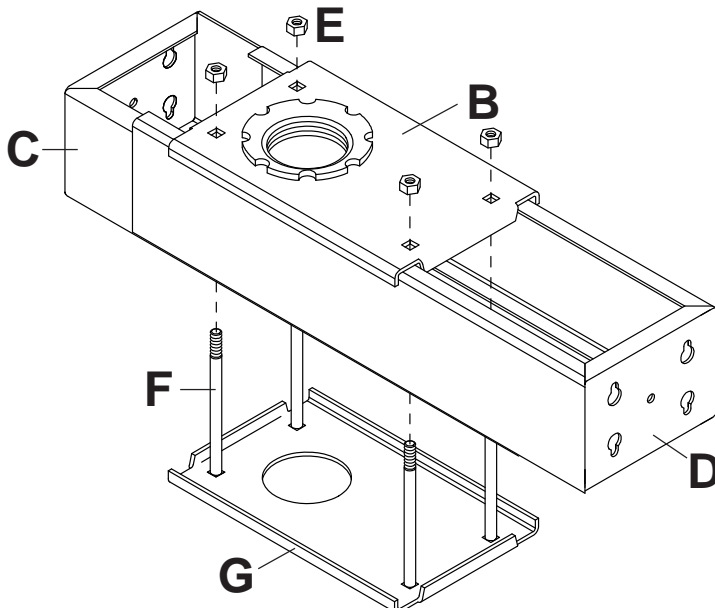
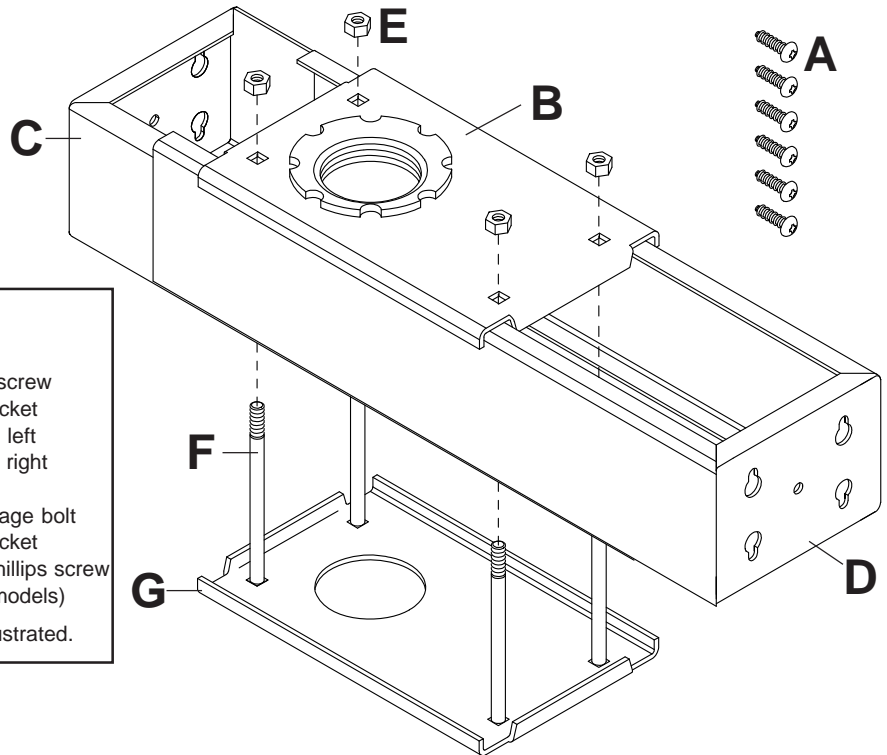
- Installer must verify that the ceiling will safely support four times the combined weight of all attached equipment and hardware.

- 1** Check parts list to ensure that all parts have been included.

### PARTS LIST

PART #	QTY.	DESCRIPTION
A 500-9006	6	#10 x 3/4" phillips screw
B 092-1005	1	upper clamping bracket
C 092-1001	1	extension bracket - left
D 092-1001	1	extension bracket - right
E 530-9413	4	1/4-20 nylock nut
F 520-9556	4	1/4-20 x 3.75" carriage bolt
G 092-1007	1	lower clamping bracket
H 520-9250	1	M5 x .8 x 10 mm phillips screw (for use with EXT models)

Parts may appear slightly different than illustrated.

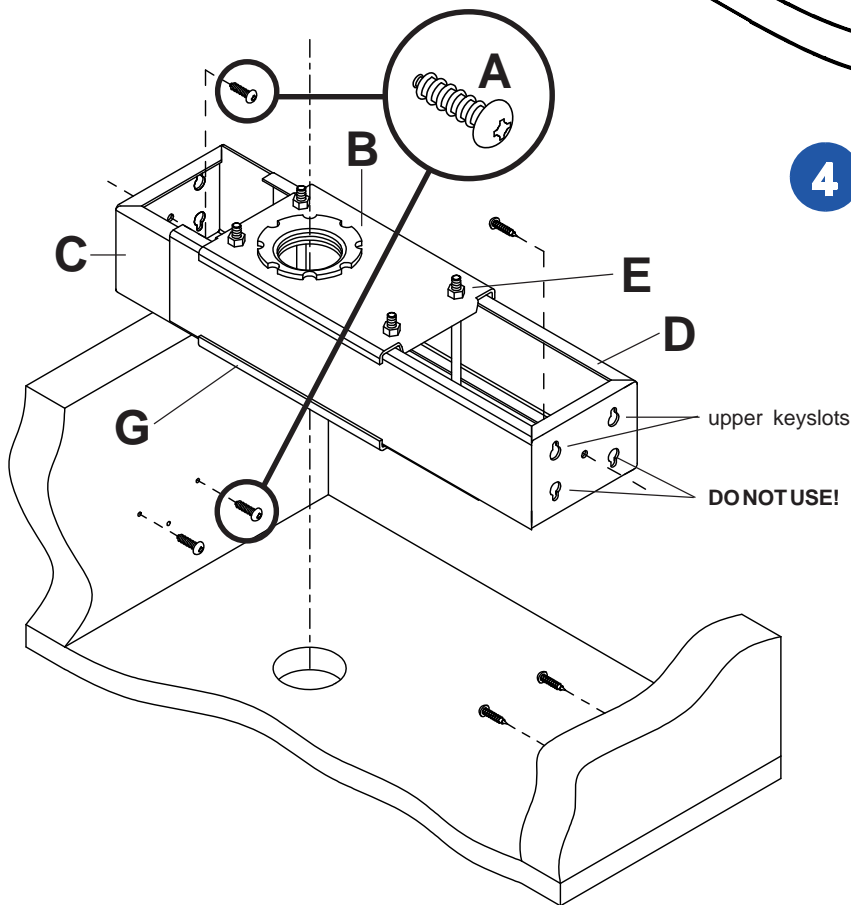
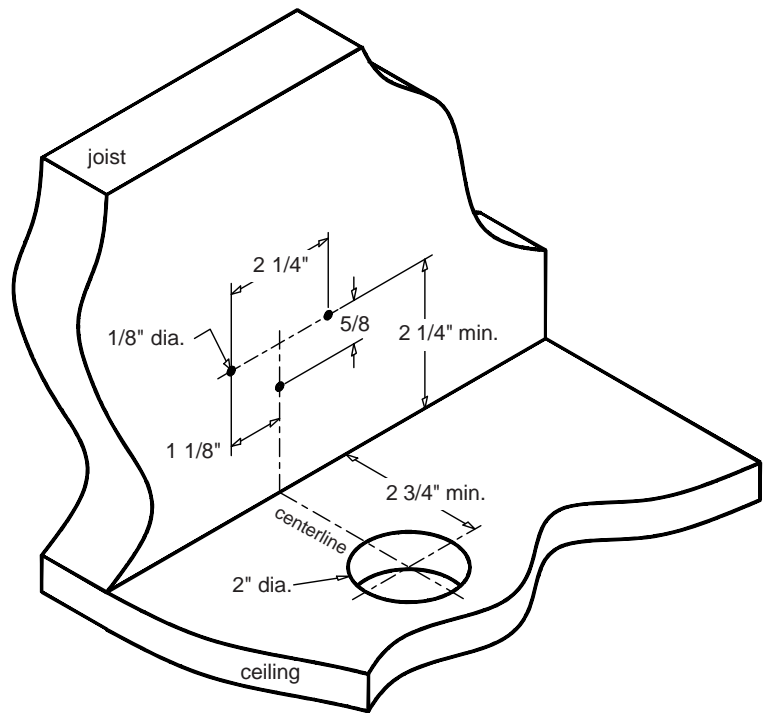


- 2** Assemble as shown.

**IMPORTANT:** If installer is working above the ceiling, such as in an attic space, assemble exactly as pictured. If installer is working below the ceiling, reverse positions of carriage bolts (F) and nylock nuts (E).

Tighten 1/4-20 nylock nuts (E) just enough to allow for expansion / compression of extension brackets (C & D).

- 3** Drill three 1/8" dia. holes 3/4" deep into inside edge of each ceiling joist. Dimensions for locating holes are pictured. If installing an extension column (not included) through a finished ceiling, a 2" dia. hole can be located anywhere along centerline, but it must be at least 2 3/4" away from right or left stud.



- 4** If applicable, drill 2" dia. hole through finished ceiling at the desired location.

**Remember that the hole will have to align exactly with the hole in the lower clamping bracket (G).**

Insert four #10 x 3/4" phillips screws (A), two into each ceiling joist. Leave just enough exposed thread to engage with upper keyslots in ends of extension brackets (C & D).

Compress extension brackets just enough to clear the heads of the four screws. Expand & engage UPPER KEYSLOTS (lower keyslots not to be used) over heads of screws. An offset screwdriver may be required. Insert two remaining #10 x 3/4" phillips screws (A), one through each center hole in each extension bracket (C & D). Securely tighten all six screws.

Slide clamping bracket assembly to desired position (in alignment with hole in finished ceiling, if applicable). Tighten all four 1/4-20 nylock nuts (E) securely.

- 5** To install extension column insert through lower clamping bracket (G) into threaded fitting in upper clamping bracket (B). Tighten four or five complete turns until securely tight.

## ⚠ WARNING

- For added safety, threaded fitting is treated with a special bonding agent that will be activated when extension column is attached. If extension column is removed at a later time bond will be rendered ineffective. In such cases, bonding agent such as Loctite® should be applied to threads before extension column is reattached.