

TTS6X4



	Mounting Pattern 600 x 402mm (23.62" x 15.82")		Max Load 115lb (52.2kg)
--	---	--	--------------------------------------

tru•vUE™

Universal TV Stand with Swivel

FOR 55" TO 85" TVs

The TTS6X4 Universal TV Stand provides $\pm 25^\circ$ of swivel to position your TV at the perfect viewing angle. The universal adaptor plate provides compatibility up to a 600 x 400mm VESA® pattern, and it can be mounted at three different heights to seamlessly accommodate your TV. The built-in swivel is located at the top of the tilt head so the base of the stand never moves, just your TV.



Comes in color packaging with included installation hardware and easy to follow instructions.

- Universal mounting pattern accommodates a variety of TVs with VESA® patterns from 100 x 100mm to 600 x 400mm
- Includes all standard hardware and tools for mounting your TV
- Reinforced steel base provides a stable platform for your TV while providing a high tech look



RoHS

Please visit peerless-av.com/en-us/patents for patent information.

info@peerless-av.com
peerless-av.com

peerless-AV®
Driving Technology Through Innovation

TTS6X4 TruVue™ Universal TV Stand with Swivel for 55" to 85" TVs

Product Specifications

	DIMENSIONS (W x H x D)	PRODUCT WEIGHT	LOAD CAPACITY	FINISH	AVAILABLE COLORS
TTS6X4	25.59" x 36.99" x 14.76" (650 x 939 x 375mm)	22.9lb (10.4kg)	115lb (52.2kg)	Powder Coat	Matte Black Mount with Black Steel Base

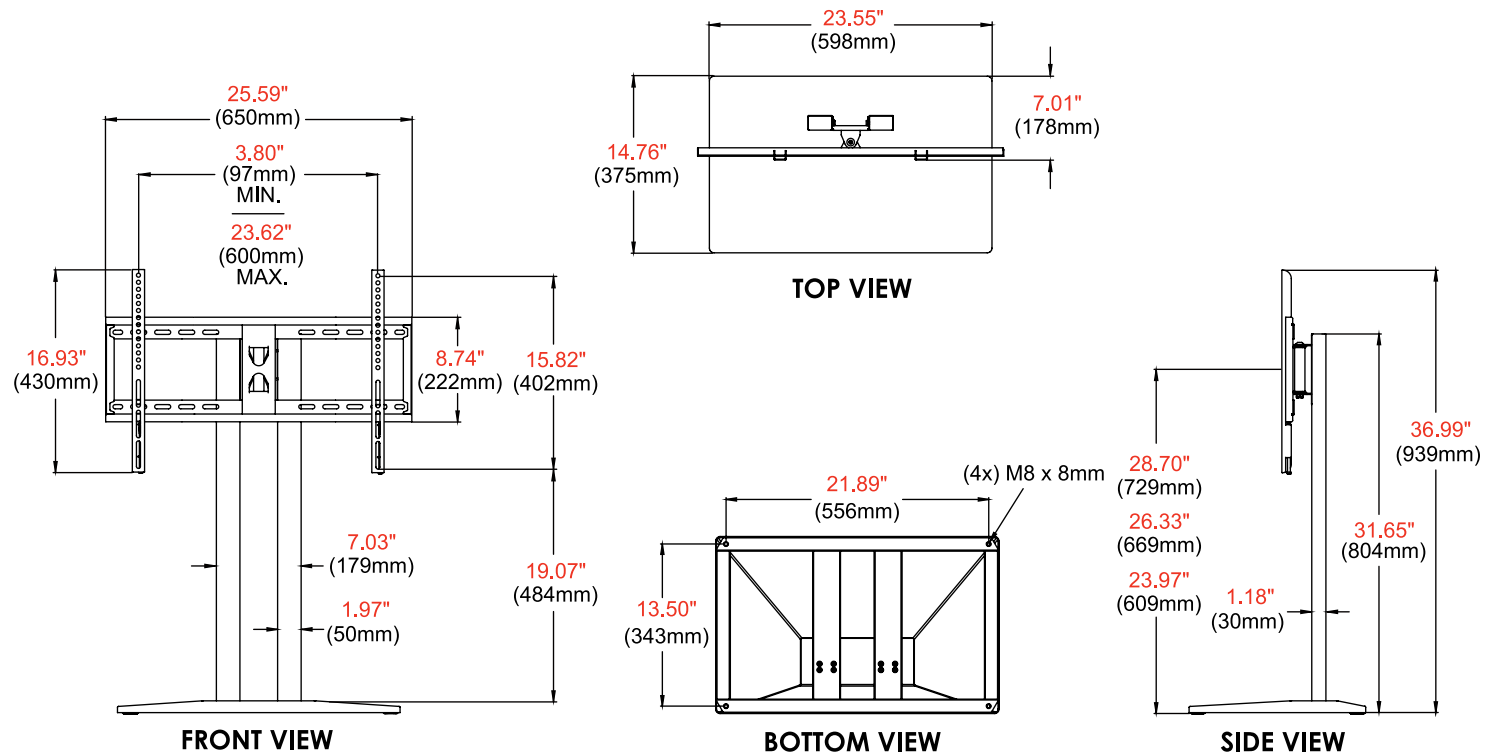
Package Specifications

	PACKAGE SIZE (W x H x D)	PACKAGE SHIP WEIGHT	PACKAGE UPC CODE	PACKAGE CONTENTS	UNITS IN PACKAGE
TTS6X4	34.80" x 18.40" x 6.00" (883 x 467 x 153mm)	28.0lb (12.7kg)	735029326861	Steel Base, (2) Columns, Adaptor Brackets, Adaptor Plate, Hardware and Tools	1

Accessories

- HLC-KIT:** Display Security Kit
- HLC-KIT-Q10:** Display Security Kit (10 pack)

All dimensions = **inch** (mm)



Architect Specifications

The TruVue™ Universal TV Stand with Swivel shall be a Peerless-AV model TTS6X4 and shall be located where indicated on the plans. Assembly and installation shall be done according to instructions provided by the manufacturer.

Visit peerless-av.com to see the complete line of AV solutions from Peerless-AV, including outdoor displays, kiosks, display mounts, projector mounts, carts/stands, and a full assortment of accessories.

Peerless-AV
 2300 White Oak Circle
 Aurora, IL 60502 USA
(800) 865-2112
(630) 375-5100
Fax: (800) 359-6500

Peerless-AV EMEA
 Unit 3 Watford Interchange
 Colonial Way, Watford
 Herts, WD24 4WP
 United Kingdom
+44 (0) 1923 200100
Fax: +44 (0) 1923 200101

Peerless-AV Latin America
 Av. de las Industrias 413
 Parque Industrial Escobedo
 General Escobedo, N.L.,
 México, 66062
+52 (81) 8384-8300
Fax: +52 (81) 8384-8360

