

SR560-HUB2



Mounting Pattern
350 x 350mm
(13.78" x 13.78")



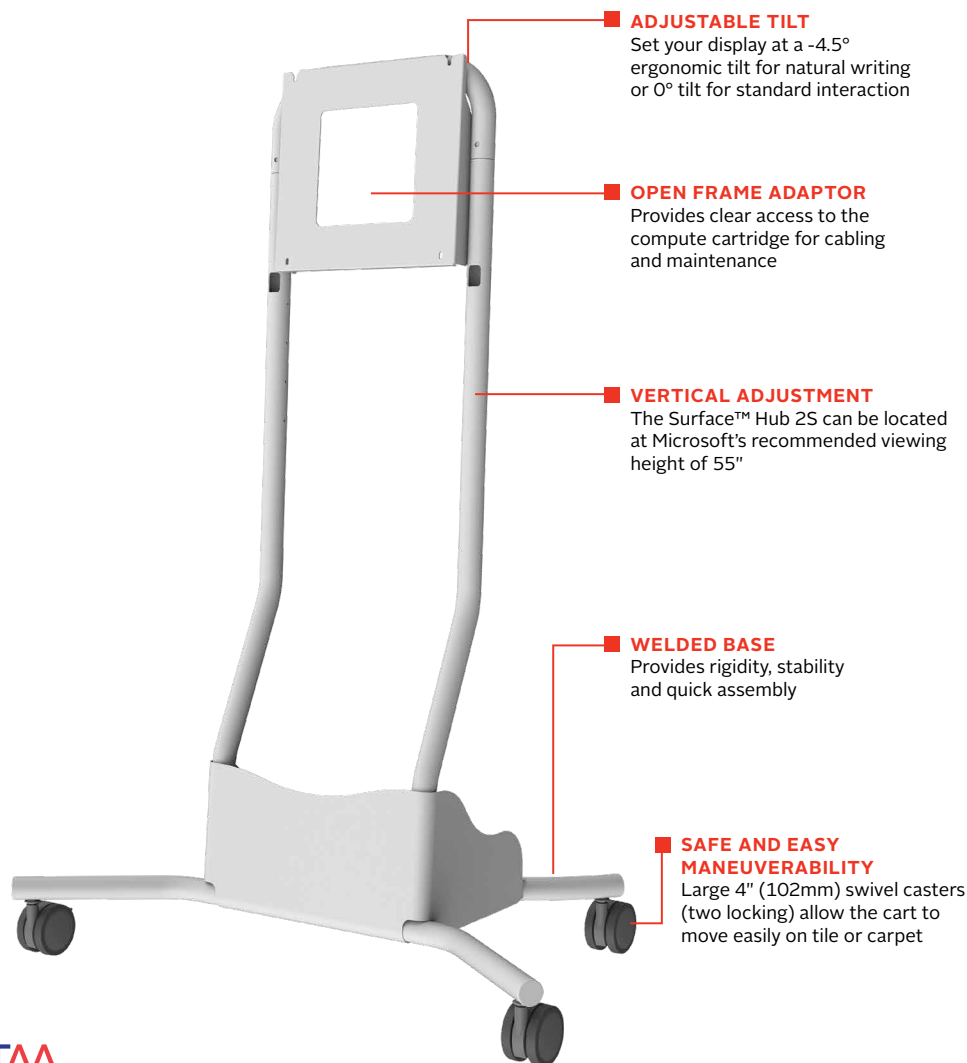
Max Load
65lb
(29.5kg)

SMARTMOUNT. Flat Panel Cart

FOR THE 50" MICROSOFT® SURFACE™ HUB 2S

The Peerless-AV® SmartMount® Flat Panel Cart is designed to safely mount, move, and store the 50" Microsoft® Surface™ Hub 2S. The cart is load rated up to 65lb, sits at Microsoft's recommended viewing height (55"), and offers vertical adjustment so the display can be positioned at incremental heights 48" to 60" from the floor. The cart also provides clearance to the removable compute cartridge so this can be upgraded without removing the display. Locking 4" casters provide a stable foundation for touch applications, while cable management channels completely hide the cabling inside the uprights. Ideal for corporate, education or hospitality applications, the SR560-HUB2 is the perfect mobile solution for the 50" Microsoft® Surface Hub 2S.

- Specifically designed for the 50" Microsoft® Surface™ Hub 2S
- Product complies with the Microsoft® Site Readiness Guide and is certified through Microsoft®
- Display can be located vertically along the column 48"-60" from the floor, adjusted in 3" increments
- Internal cable management protects, contains and conceals cables for a clean, professional installation
- Flat white powder coat finish complements the finish of the Microsoft® Surface™ Hub 2S
- Dedicated mount fits the Microsoft® Surface™ Hub 2S 350 x 350mm mounting pattern and includes the proper depth mounting bolts
- Corner bumpers prevent damage to doors and walls while moving or storing the cart



Designed for



RoHS



Please visit peerless-av.com/en-us/patents for patent information.

✉ info@peerless-av.com

🌐 peerless-av.com

peerless-AV®
Driving Technology Through Innovation

SR560-HUB2	SmartMount® Flat Panel Cart for the 50" Microsoft® Surface™ Hub 2S
------------	--

Product Specifications

	DIMENSIONS (W X H X D)	PRODUCT WEIGHT	LOAD CAPACITY	FINISH	AVAILABLE COLORS
SR560-HUB2	46.18" x 68.19" x 28.60" (1172 x 1732 x 726mm)	58.2lb (26.4kg)	65lb (29.5kg)	Flat Powder Coat	White

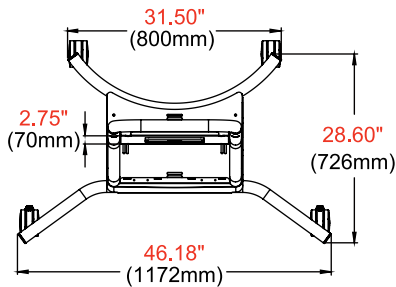
Package Specifications

	PACKAGE SIZE (W x H x D)	PACKAGE SHIP WEIGHT	PACKAGE UPC CODE	PACKAGE CONTENTS	UNITS IN PACKAGE
SR560-HUB2	67.50" x 31.50" x 12.00" (1715 x 800 x 305mm)	85.5lb (38.8kg)	735029339205	Assembled Base, (2) Vertical Columns, (2) Swivel Casters, (2) Locking Swivel Casters, Bottom Shelf, Hardware and Instructions	1

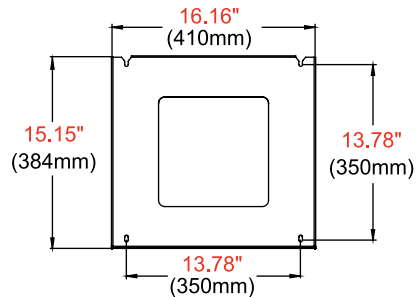
Accessories

- ACC116:** Rear Facing Steel Shelf
- ACC320:** Electrical Outlet Strip with Cord Wrap

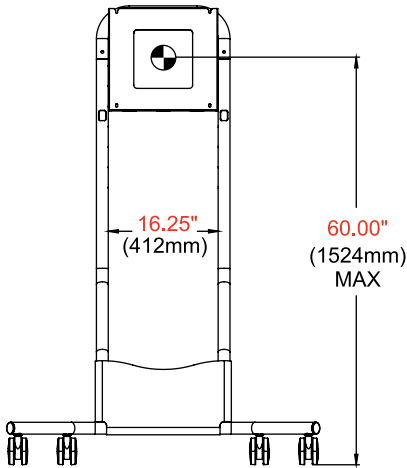
All dimensions = inch (mm)



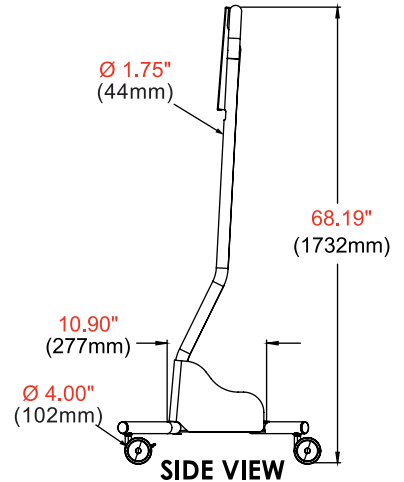
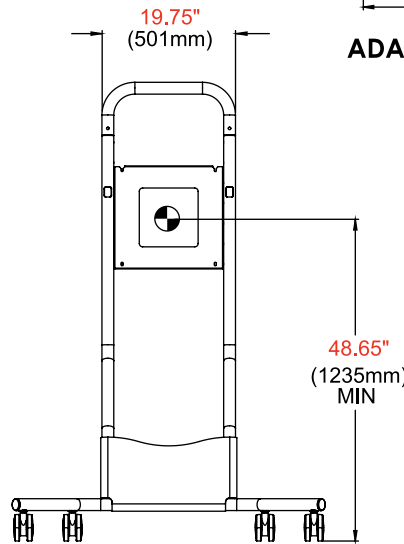
TOP VIEW



ADAPTOR DETAIL



FRONT VIEW



SIDE VIEW

Architect Specifications

The SmartMount® Flat Panel Cart for the 50" Microsoft® Surface™ Hub 2S shall be a Peerless-AV model SR560-HUB2 and shall be located where indicated on the plans. Assembly and installation shall be done according to instructions provided by the manufacturer.

Visit peerless-av.com to see the complete line of AV solutions from Peerless-AV, including outdoor displays, kiosks, display mounts, projector mounts, carts/stands, and a full assortment of accessories.

Peerless-AV
2300 White Oak Circle
Aurora, IL 60502 USA
(800) 865-2112
(630) 375-5100
Fax: (800) 359-6500

Peerless-AV EMEA
Unit 3 Watford Interchange
Colonial Way, Watford
Herts, WD24 4WP
United Kingdom
+44 (0) 1923 200100
Fax: +44 (0) 1923 200101

Peerless-AV Latin America
Av. de las Industrias 413
Parque Industrial Escobedo
General Escobedo, N.L.,
México, 66062
+52 (81) 8384-8300
Fax: +52 (81) 8384-8360

