

Installation and Assembly - Multi-Channel Speaker Mount for Boston Acoustics P400 or Polk Audio Center Channel

Models: MSA-101,
MSA-101S

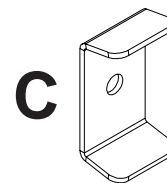
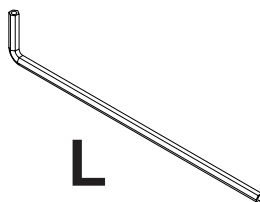
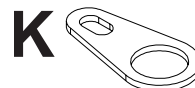
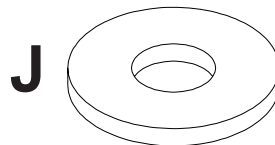
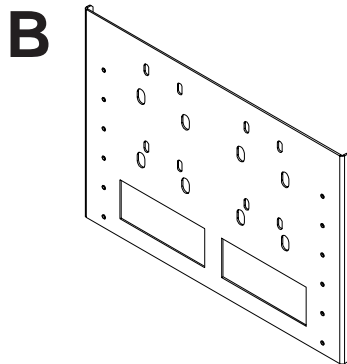
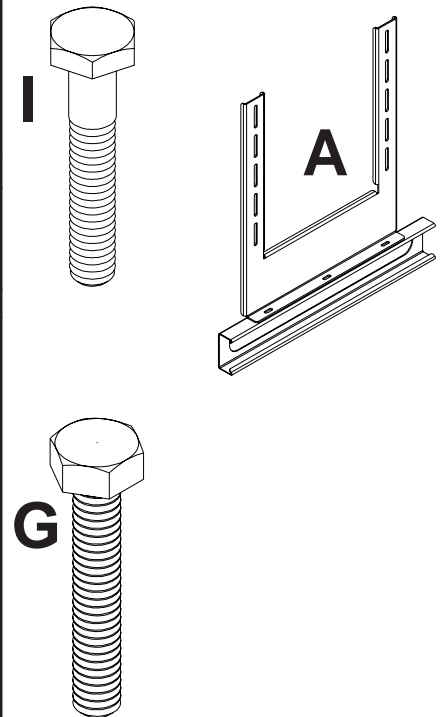
MAXIMUM LOAD CAPACITY:
25.00 lb (11.4 kg)

IMPORTANT! Read entire instruction sheet before you start installation and assembly.

Parts List

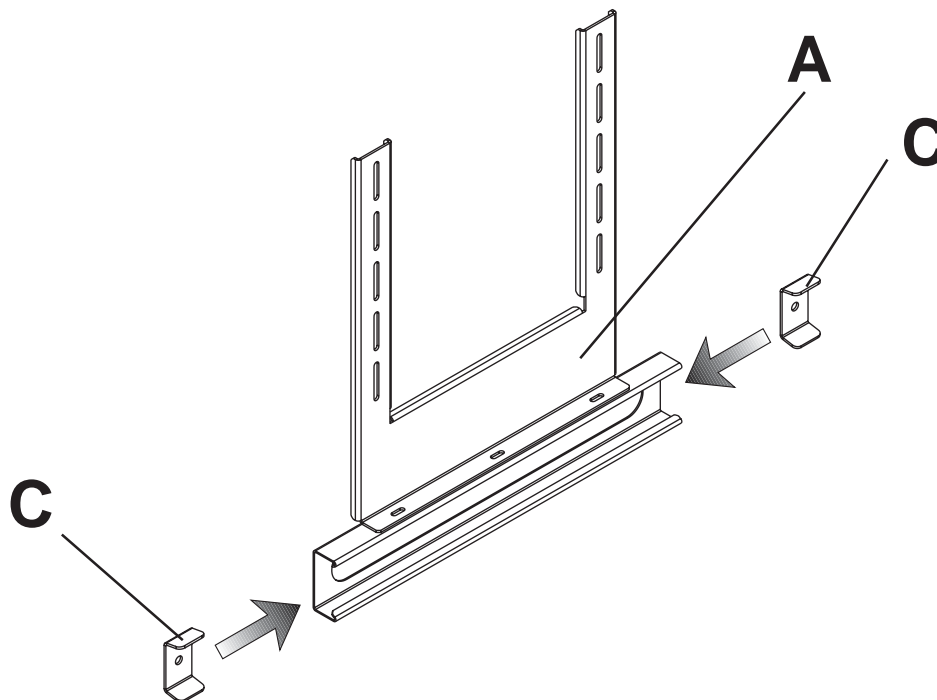
DESCRIPTION	QTY.	MSA-101 PART #	MSA-101S PART #
A center speaker mount	1	087-1041	087-4041
B interface bracket	1	087-1047	087-4047
C speaker attachment bracket	2	087-1042	087-4042
D M5 x 6 mm socket pin serrated washer head screw	4	510-1114	510-1114
E M5 x 10mm socket pin screw	1	520-1063	520-1063
F spacer	1	540-1032	540-1032
G 1/4 x 1.5" hex bolt	2	520-1096	520-1096
H 1/4" flat washer	2	540-9440	540-9440
I 3/8 x 1" bolt	2	520-1242	520-1242
J flat washer	2	540-9407	540-9407
K tear drop locking tab	1	200-1871	200-1871
L 4 mm security allen wrench	1	560-9646	560-9646

Note: some parts may not appear exactly as illustrated.



1

Slide speaker attachment brackets (C) onto center speaker (A) mount as shown below.

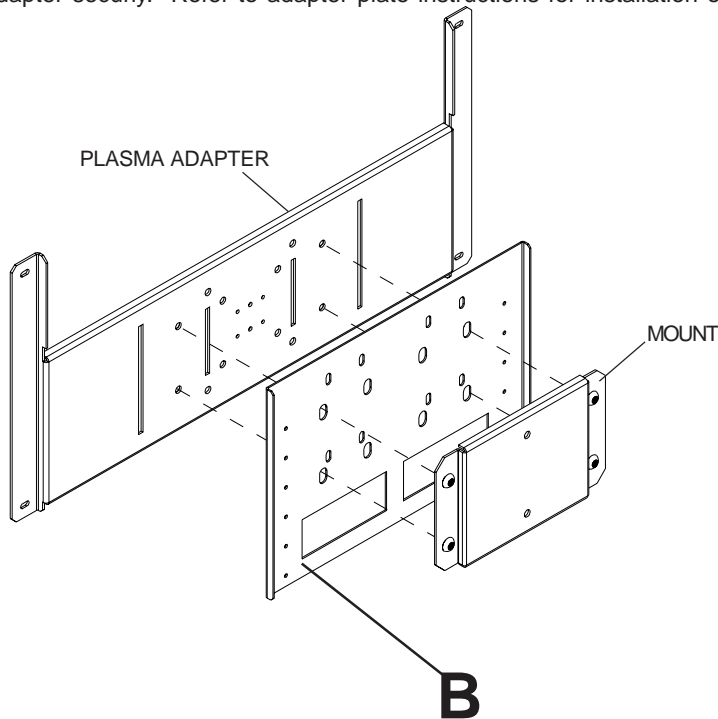


Installation with adapter plate

2-1

Loosen screws on plasma adapter. Then place interface bracket (B) between plasma adapter and mount. Tighten screws on plasma adapter securely. Refer to adapter plate instructions for installation of screen.

Skip to step 3.



Note: some parts may not appear exactly as illustrated.

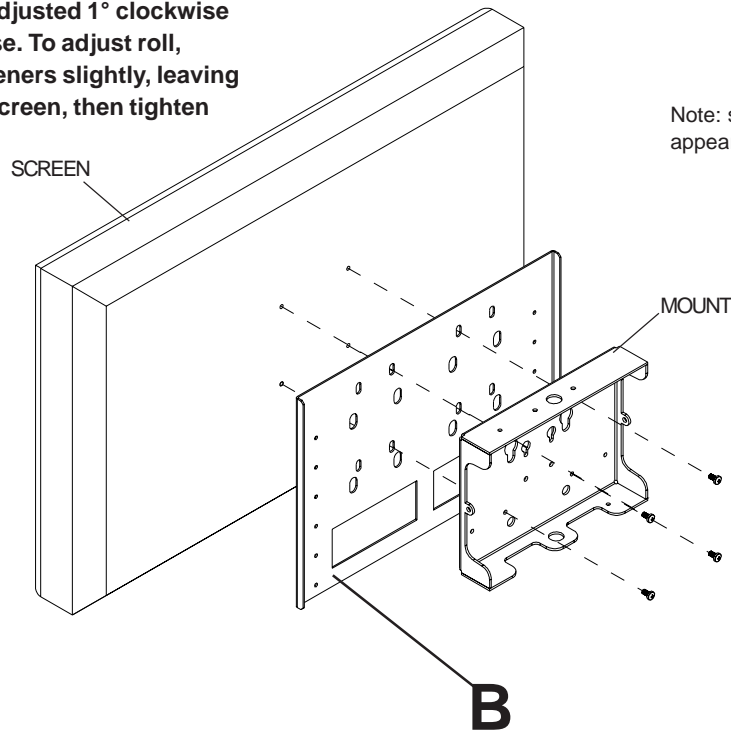
Installation directly to screen

2-2

Place interface bracket (B) between screen and mount. Attach interface bracket (B) to mount and screen using fasteners provided with mount. Refer to mount instructions for installation of screen. Tighten all screws securely.

Note: For installation of tear drop locking tab (N) reference SP-850 instruction sheet.

Note: Roll can be adjusted 1° clockwise or counterclockwise. To adjust roll, loosen screen fasteners slightly, leaving them snug. Level screen, then tighten screen fasteners.

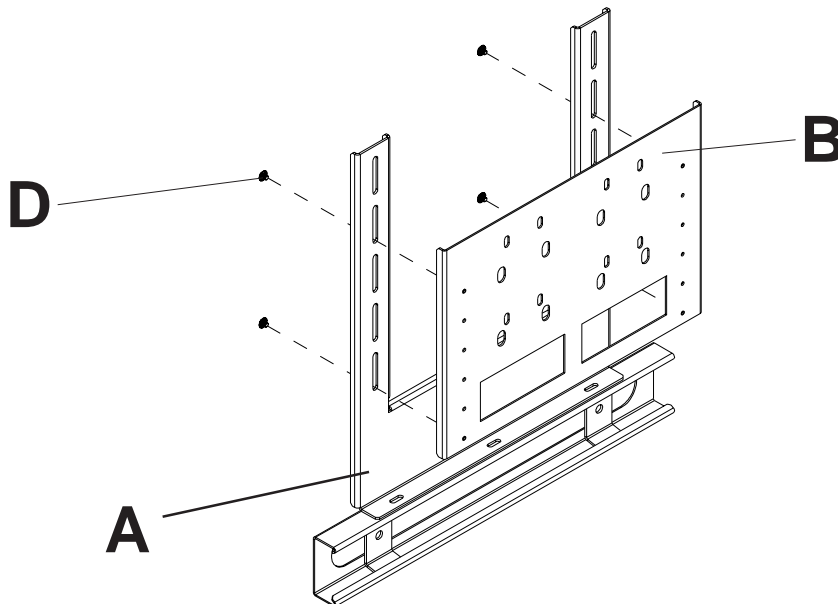


3

Attach interface bracket (B) onto center speaker mount (A) using four M5 x 6 mm socket pin serrated washer head screws (D). Adjust form brackets to best fit your screen size. Tighten screws using 4 mm security allen wrench (L).

Note: For best results use holes closest to the edge of the form brackets as shown below.

Note: Adapter plate, screen, and mount not shown for clarity.



4

Attach speaker to center speaker bracket (A) using two screws (I or G) and two washers (J). Adjust the speaker attachment brackets (C) to desired location and tighten screws.

Note: For Boston Acoustics speakers use two 3/8 x 1" bolt (I) for Polk Audio use two 1/4 x 1.5" hex bolt (G).

