

KOP2549(-S)-XHB
KOP2555(-S)-XHB



Smart City Kiosks

INCLUDES 49" OR 55" XTREME™ HIGH BRIGHT OUTDOOR DISPLAY

Replace static signage with Peerless-AV's award-winning Smart City Kiosk for greater public engagement and seamless updates of digital content whenever, wherever. With a focus on functionality and aesthetics, the Smart City Kiosk is designed to be modern, approachable, practical, and endure the rigors of everyday use. Installation is easy without the need for cranes or forklifts, and the locking rear door offers quick access to the display for maintenance. The included 49" or 55" Xtreme™ High Bright Outdoor Display offers full HD1080p resolution for a bright, crisp picture, even in direct sunlight. An optional 10-point IR touch overlay makes the kiosk interactive for all users. Peerless-AV's all-weather rated Smart City Kiosk is ideal for sharing community information, travel, and weather details, as well as wayfinding, advertising, entertainment, and more.



All Weather Rated Display: IP68



Display's Operating Temperature Range:
-31°F - 140°F
(-35°C to 60°C)

- Includes Peerless-AV® 49" (XHB492) or 55" (XHB552) Xtreme™ High Bright Outdoor Display to offer maximum flexibility
- Elegant, minimalistic design covers, protects and ventilates display and equipment
- Anti-reflective, impact-resistant safety glass protects the display screen against damage
- No additional layer of glass needed between display and enclosure, reducing glare
- Wind tested up to 140 mph
- Easily add-on additional technology components for enhanced functionality, such as IR touch overlays, cameras, routers, antennas and more



AMBIENT LIGHT SENSOR

Automatically adjusts the display's brightness to best match lighting conditions

IP68 RATED DISPLAY

Fully sealed design prevents the ingress of foreign materials, such as water, dust, moisture and insects, from entering the display

ULTRA SLIM DESIGN

Sleek and stylish, yet rugged enough to be installed in any application

STORAGE AREA TESTED TO IP56 RATING

Protected with filters and cooling fans to hold components at their ambient operating temperature

Kiosk: **RoHS**
2012/19EC

Display: **IP**

Model Numbers

KOP2549(-S)-XHB	Smart City Kiosk, Includes 49" Xtreme™ High Bright Outdoor Display
KOP2555(-S)-XHB	Smart City Kiosk, Includes 55" Xtreme™ High Bright Outdoor Display

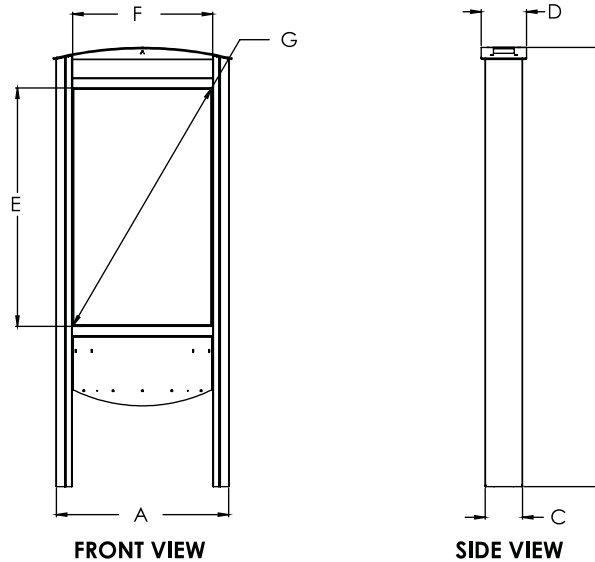
Product Specifications

	DIMENSIONS (W x H x D)	PRODUCT WEIGHT	FINISH	AVAILABLE COLORS
KOP2549(-S)-XHB	32.38" x 82.34" x 8.50" (822 x 2091 x 216mm)	240lb (108kg)	Smooth	Black or Silver
KOP2555(-S)-XHB	35.38" x 82.34" x 8.50" (898 x 2091 x 216mm)	275lb (125kg)		

Package Specifications

	PACKAGE SIZE (W x H x D)	PACKAGE SHIP WEIGHT	PACKAGE UPC CODE	PACKAGE CONTENTS	UNITS IN PACKAGE
KOP2549(-S)-XHB	48.00" x 90.00" x 40.00" (1219 x 2286 x 1016mm)	280lb (127kg)	KOP2549-XHB: 735029324102	Kiosk, Mounting Hardware, Xtreme™ High Bright Outdoor Display and Instructions	1
KOP2549(-S)-XHB			KOP2549-S-XHB: 735029324096		
KOP2555(-S)-XHB			KOP2555-XHB: 735029324119		
KOP2555(-S)-XHB			KOP2555-S-XHB: 735029324126		

All dimensions = inch (mm)



MODEL NO.	DIMENSION "A"	DIMENSION "B"	DIMENSION "C"	DIMENSION "D"	DIMENSION "E"	DIMENSION "F"	DIMENSION "G"
KOP2549-XHB	32.38" (822mm)	82.34" (2091mm)	7.00" (178mm)	8.50" (216mm)	42.08" (1069mm)	24.55" (623mm)	49.00" (1244mm)
KOP2555-XHB	35.38" (898mm)	82.34" (2091mm)	7.00" (178mm)	8.50" (216mm)	50.11" (1272mm)	29.06" (738mm)	55.00" (1397mm)

Architect Specifications

The Smart City Kiosk shall be a Peerless-AV® model KOP2549(-S)-XHB or KOP2555(-S)-XHB and shall be located where indicated on the plans. Assembly and installation shall be done according to instructions provided by the manufacturer.

Visit peerless-av.com to see the complete line of AV solutions from Peerless-AV, including outdoor displays, wireless, kiosks, digital audio, display mounts, projector mounts, carts/stands, and a full assortment of accessories.

Peerless-AV
 2300 White Oak Circle
 Aurora, IL 60502 USA
(800) 865-2112
(630) 375-5100
Fax: (800) 359-6500

Peerless-AV EMEA
 Unit 3 Watford Interchange
 Colonial Way, Watford
 Herts, WD24 4WP
 United Kingdom
+44 (0) 1923 200100
Fax: +44 (0) 1923 200101

Peerless-AV Latin America
 Ave de las Industrias 413
 Parque Industrial Escobedo
 Escobedo, N.L.,
 Mexico 66062
+52 (81) 8384-8300
Fax: +52 (81) 8384-8360

