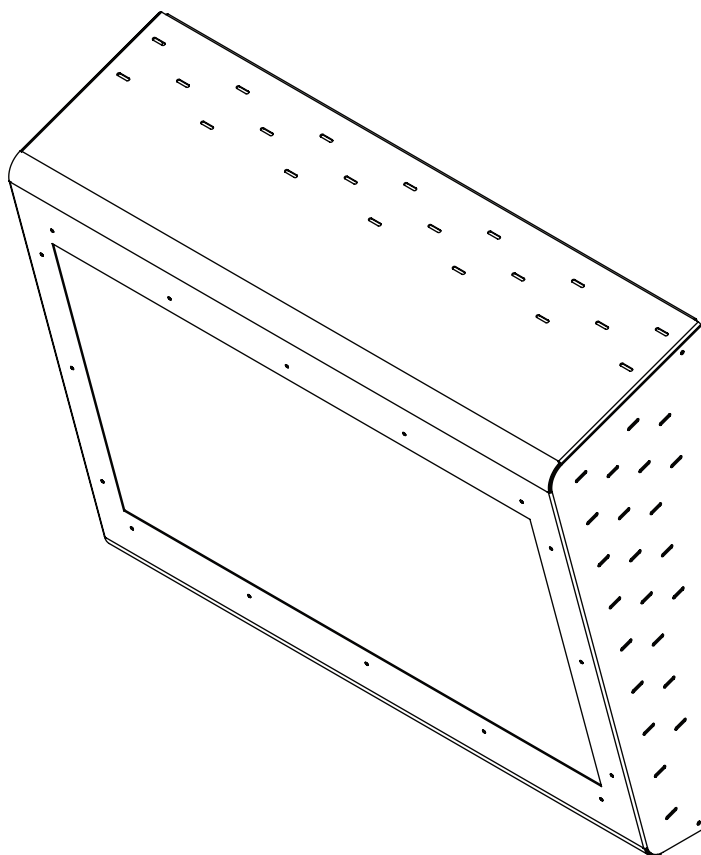


peerless-AV[®]

KLR62232, KLR64255



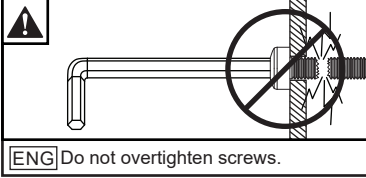
▲ WARNING

ENG - This product is designed to be installed on wood stud, solid concrete or cinder block walls. Hardware is included for wood stud, solid concrete and cinder block installation. Do not begin to install product until you have read and understood the instructions and warnings contained in this user guide. Before installing make sure the supporting surface will support the combined load of the equipment and hardware. Screws must be tightly secured. Do not overtighten screws or damage can occur and product may fail. Never exceed the Maximum Load Capacity. Always use an assistant or mechanical lifting equipment to safely lift and position equipment. This product is intended for indoor use only. Use of this product outdoors could lead to product failure or personal injury. Be careful not to pinch fingers when operating the mount. To reduce the risk of electric shock or fire, do not expose product to water or moisture. Be sure power cord is routed so that it will not be tripped on, stepped on, or pinched by heavy items. Avoid overloading electrical outlets or extension cords. Always disconnect the power cord from the power outlet when installing, servicing, or not using the product for an extended period of time. Do not block ventilation slots or fan exhaust on product. Blocking airflow could damage product. Arrange product to allow air to flow freely around product. Keep product away from direct sunlight or any source of heat. For support please call 800-4-SIGNAGE.

ENG Symbols



ENG WARNING

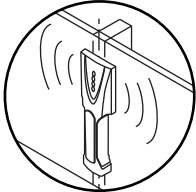
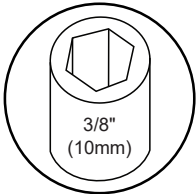
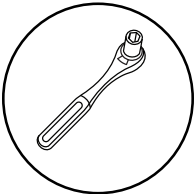
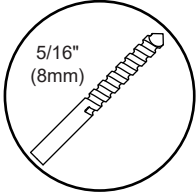
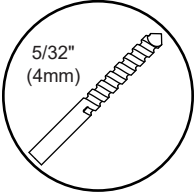
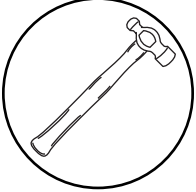
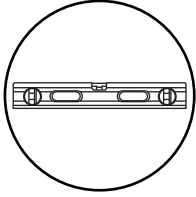
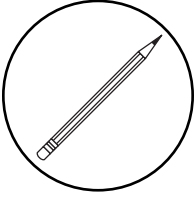


ENG Do not overtighten screws.



ENG Skip to step.

ENG Tools Needed for Assembly.

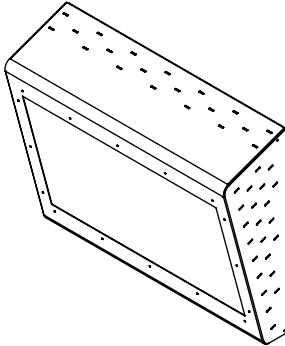


ENG To properly tighten screws: Tighten until screw head makes contact, then tighten another 1/2 turn. Do not overtighten screws.
1
2
3
4

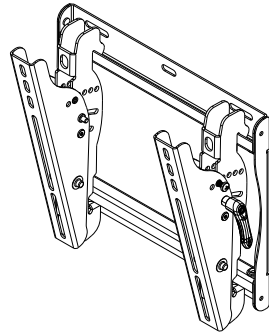
ENG Parts (Before beginning, make sure you have all parts shown below).

Parts List		KLR62232	KLR64255
Description	Qty	Part #	Part #
A enclosure	1	152-1544	152-1545
B wall mount	1	ST635	ST640
C #14 x 2-1/2" wood screw	4	5S1-015-C03	5S1-015-C03
D 8mm concrete anchor	4	590-0320	590-0320
E power strip	1	600-0370	600-0370
F locking bracket	1	152-T1502	152-T1511
G hook on bracket	1	152-T1508	152-T1520
H M5 x 20mm	3	510-1065	510-1065

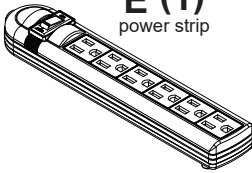
A (1)
enclosure



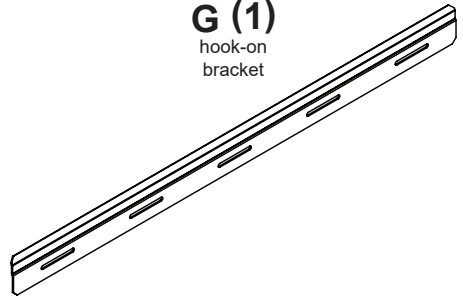
B (1)
wall mount



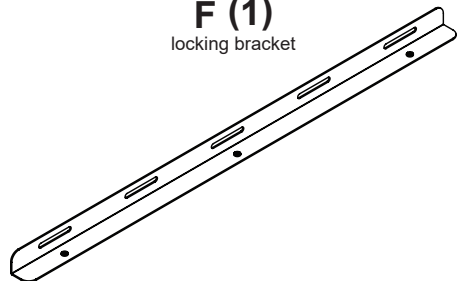
E (1)
power strip



G (1)
hook-on
bracket

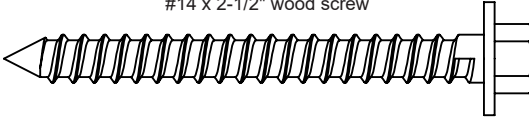


F (1)
locking bracket



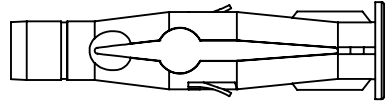
C (4)

#14 x 2-1/2" wood screw



D (4)

8mm concrete anchor



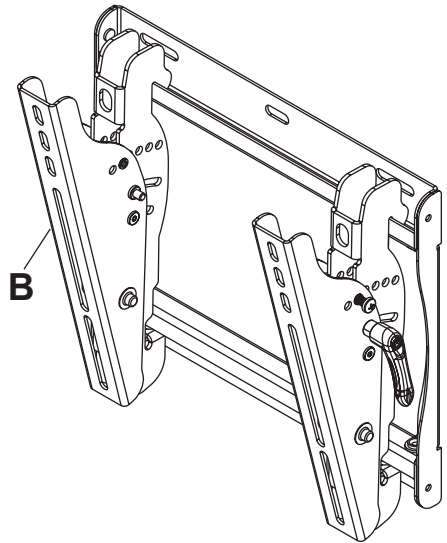
H (3)

M5 x 20mm



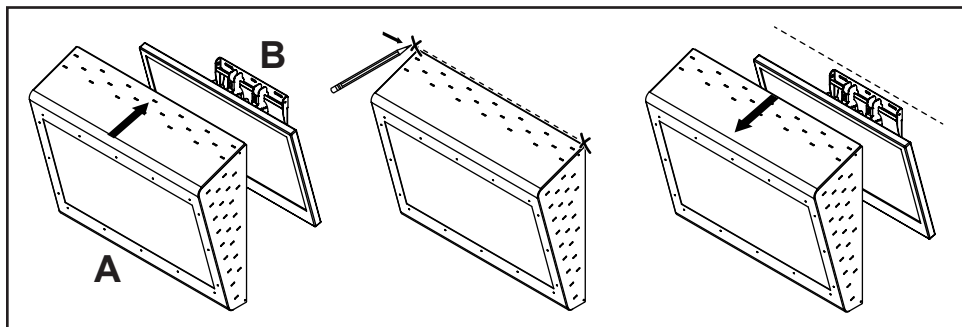
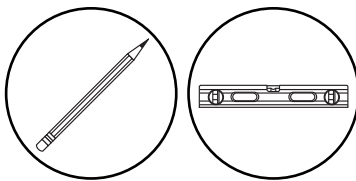
1

ENG Follow and complete instructions for included wall mount.



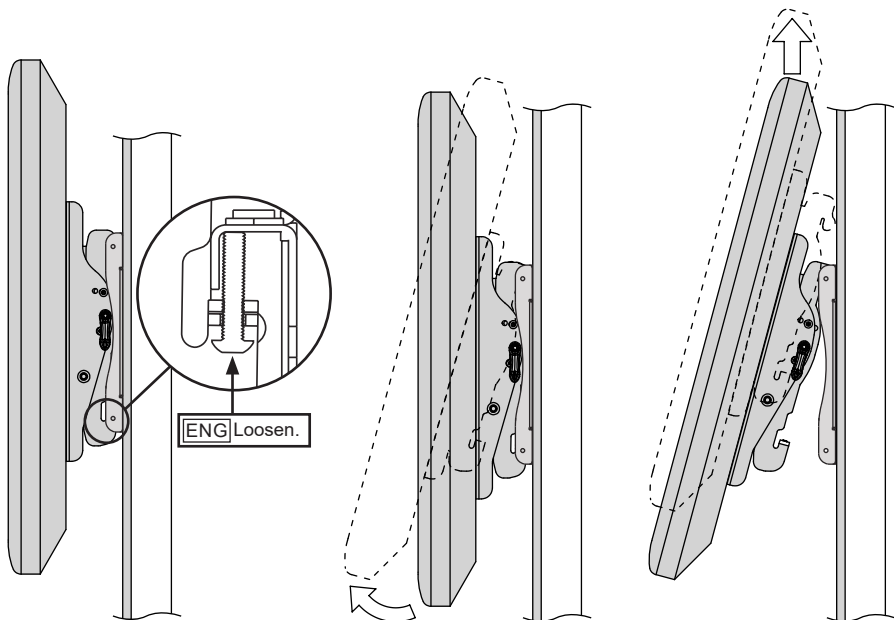
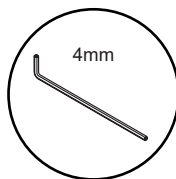
2

ENG Hold enclosure over display in desired location, and make sure that it is level. Mark the top location of the enclosure.

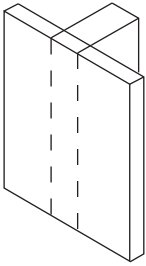


3

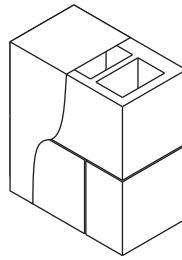
ENG Remove display.



4



ENG Wood stud wall.



ENG Concrete/Cinder block.

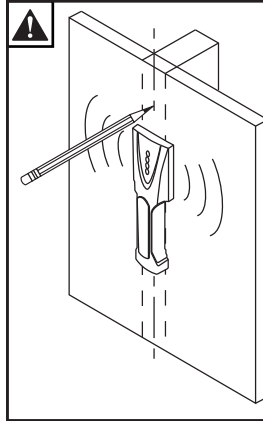
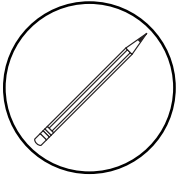
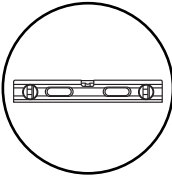
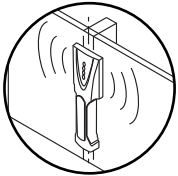


4a

▲ WARNING

ENG - When installing Peerless wall mounts on a wood stud wall covered with gypsum board (drywall), verify that the wood studs are a minimum of 2" x 4" nominal size. Do not install over gypsum board thicker than 5/8".

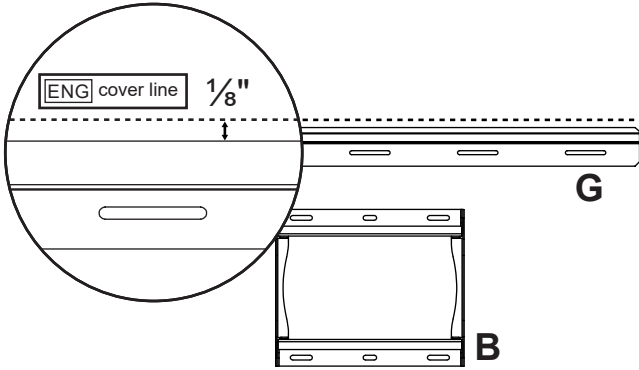
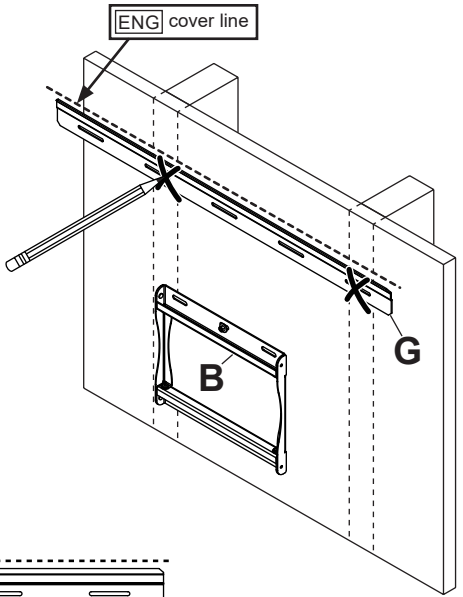
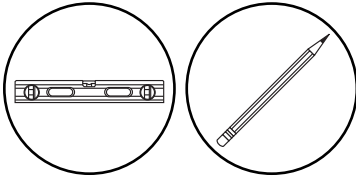
4a-1



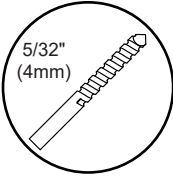
ENG Use stud finder to locate and mark stud center lines.

4a-2

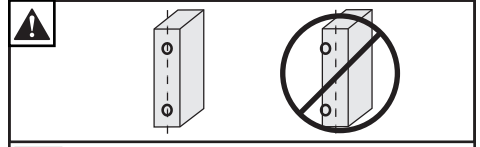
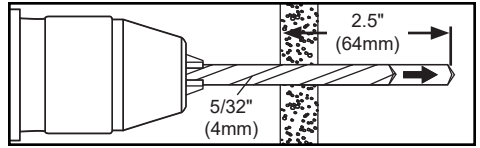
ENG Mark mounting holes on stud center lines.
Mounting holes should be positioned 1/8" under
the horizontal cover line.



4a-3



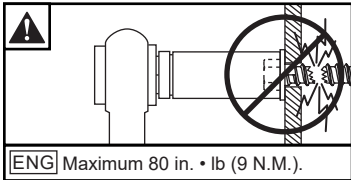
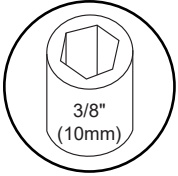
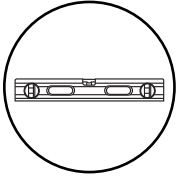
ENG Drill mounting holes into supporting surface (2.5" (64mm) minimum depth required).



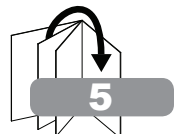
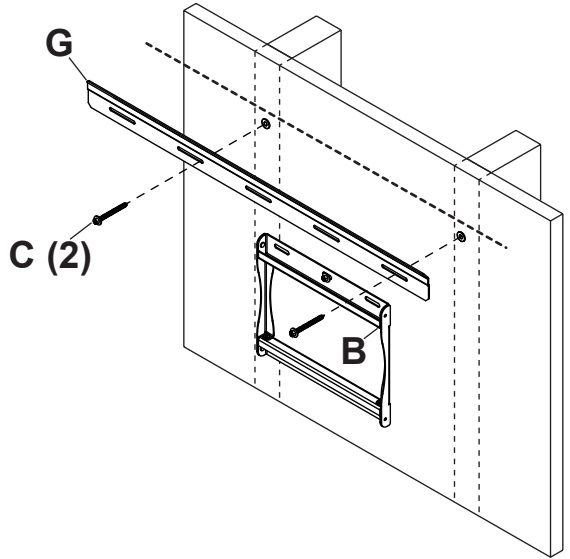
ENG Mounting hole must center on stud.

4a-4

ENG Level wallplate. Install using wood screws provided.



ENG Maximum 80 in. • lb (9 N.M.).



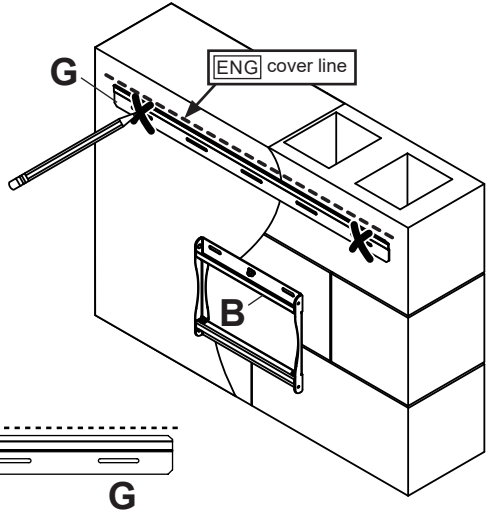
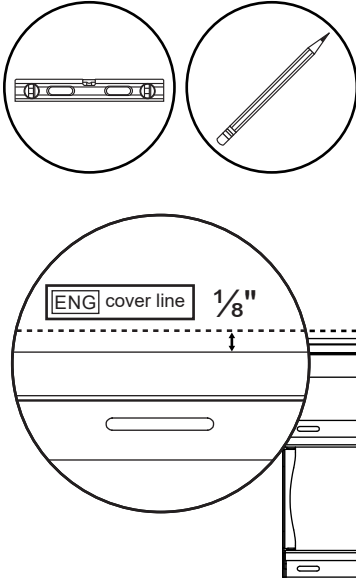
4b

▲ WARNING

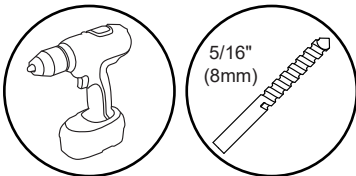
ENG - When installing Peerless wall mounts on a concrete wall, the wall must be at least 8" thick with a minimum compressive strength of 2000 psi. When installing Peerless wall mounts on a cinder block wall, the cinder blocks must meet ASTM C-90 specifications and have a minimum nominal width of 8". Do not drill into mortar joints! Be sure to mount in a solid part of the block, generally 1" (25 mm) minimum from the side of the block. It is suggested that a standard electric drill on slow setting is used to drill the hole instead of a hammer drill to avoid breaking out the back of the hole when entering a void or cavity. Never attach concrete expansion anchors to concrete or cinder block covered with plaster, drywall or other finishing material.

4b-1

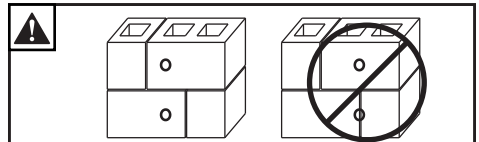
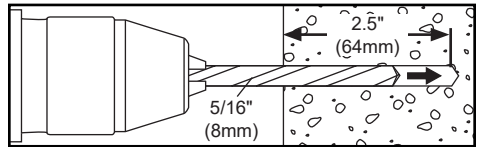
ENG Mark mounting holes on stud center lines. Mounting holes should be positioned 1/8" under the horizontal cover line.



4b-2

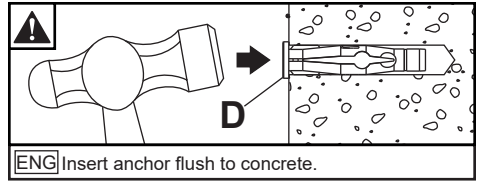
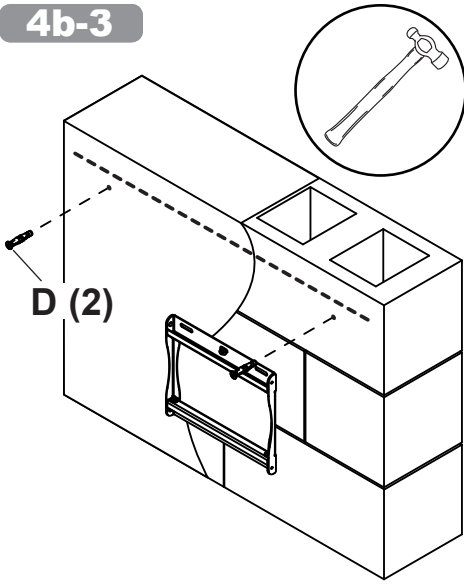


ENG Drill mounting holes into supporting surface (2.5" (64mm) minimum depth required).



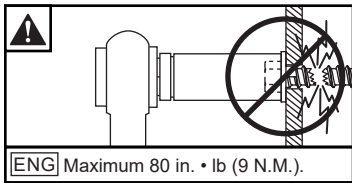
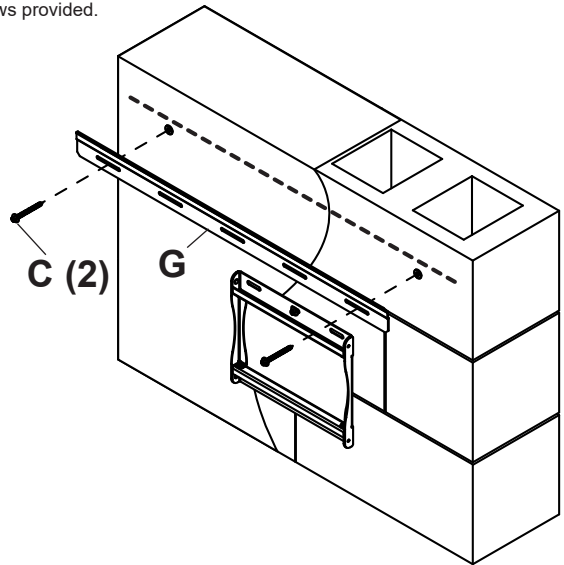
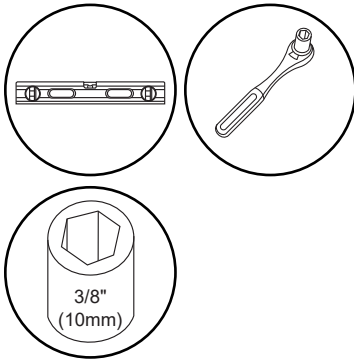
ENG Do not drill into mortar joints.

4b-3



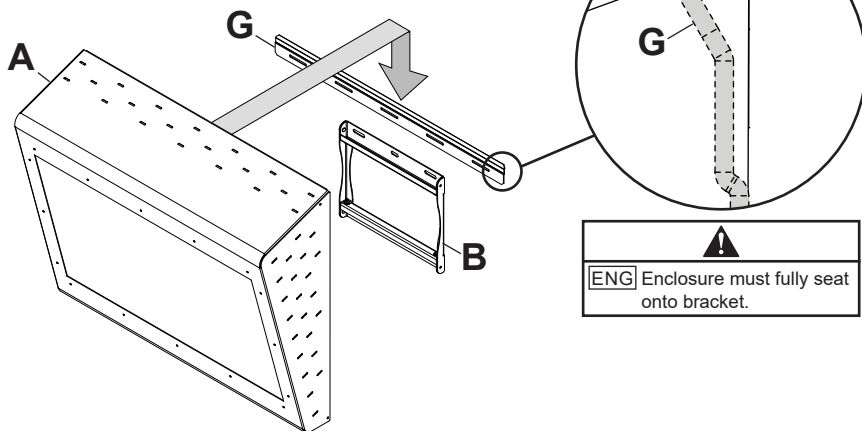
4b-4

ENG Level wallplate. Install using wood screws provided.



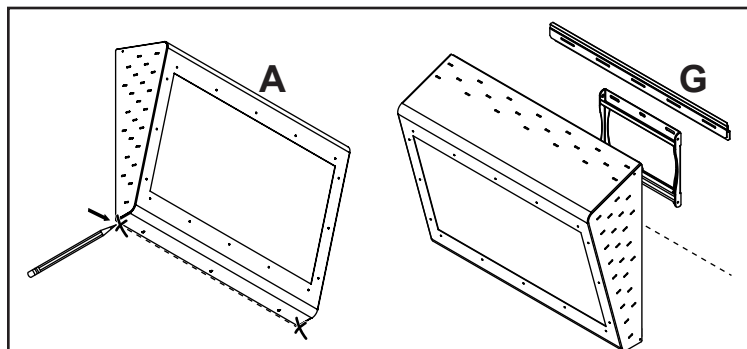
5

ENG Hang enclosure onto hook on bracket.

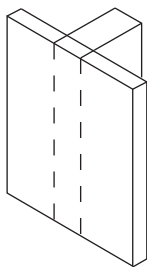


6

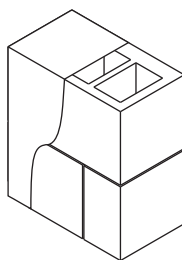
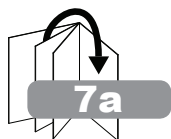
ENG Mark the bottom location of the enclosure.



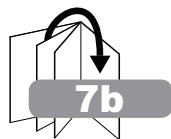
7



ENG Wood stud wall.



ENG Concrete/Cinder block.

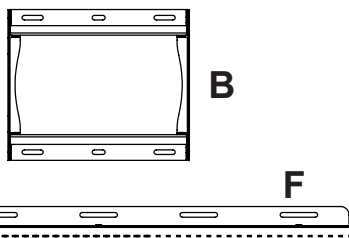
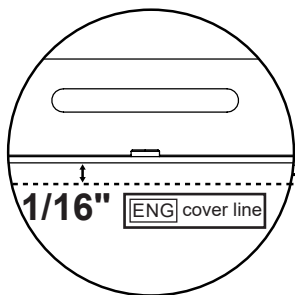
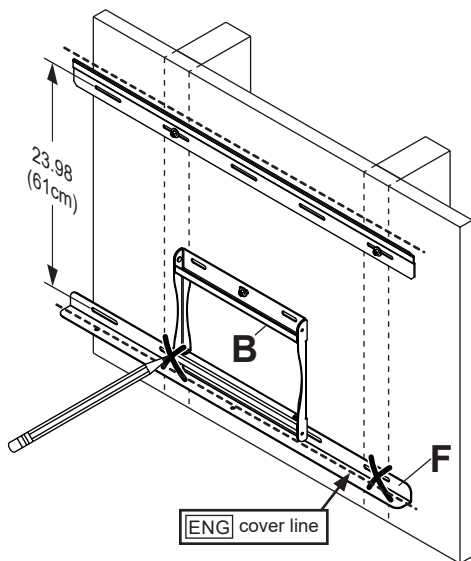
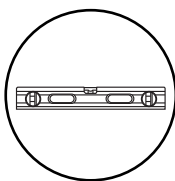
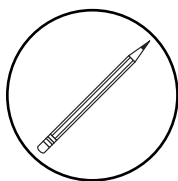


7a

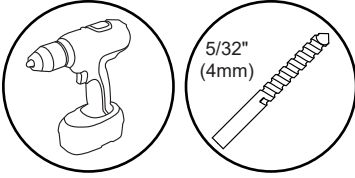
▲ WARNING

ENG - When installing Peerless wall mounts on a wood stud wall covered with gypsum board (drywall), verify that the wood studs are a minimum of 2" x 4" nominal size. Do not install over gypsum board thicker than 5/8".

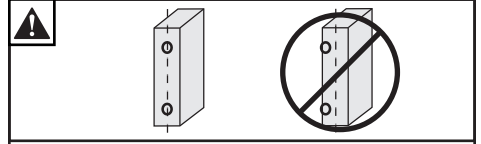
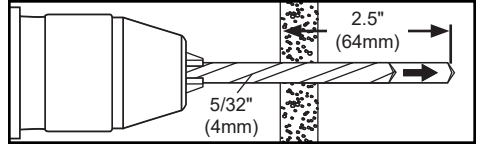
7a-1



7a-2



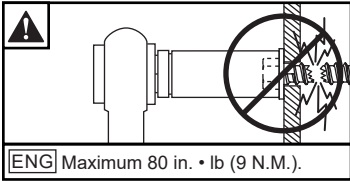
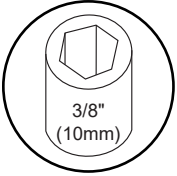
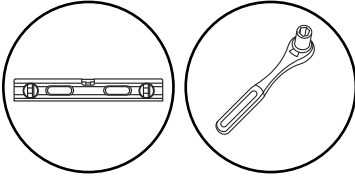
ENG Drill mounting holes into supporting surface (2.5" (64mm) minimum depth required).



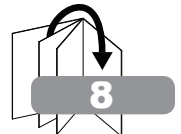
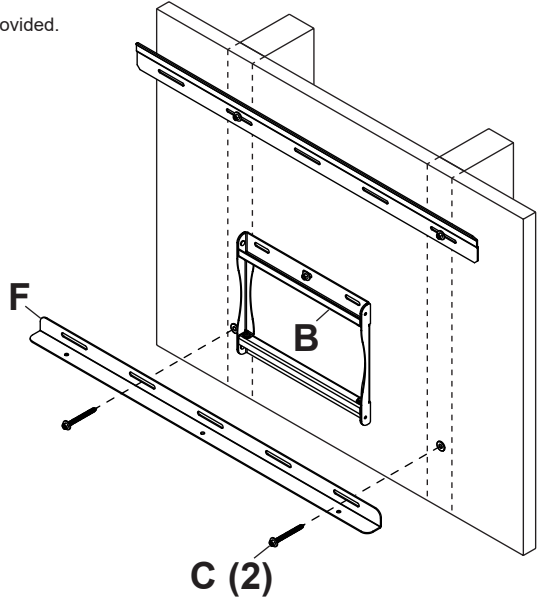
ENG Mounting hole must center on stud.

7a-3

ENG Level wallplate. Install using wood screws provided.



ENG Maximum 80 in. • lb (9 N.M.).



ENG This page intentionally left blank.

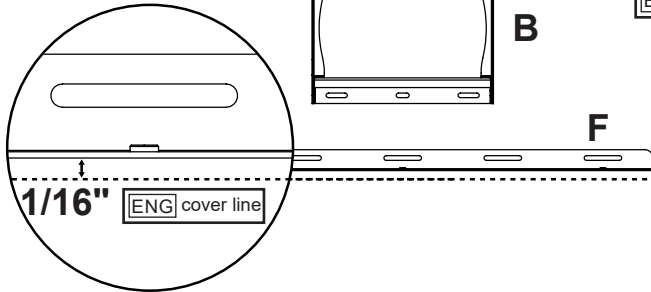
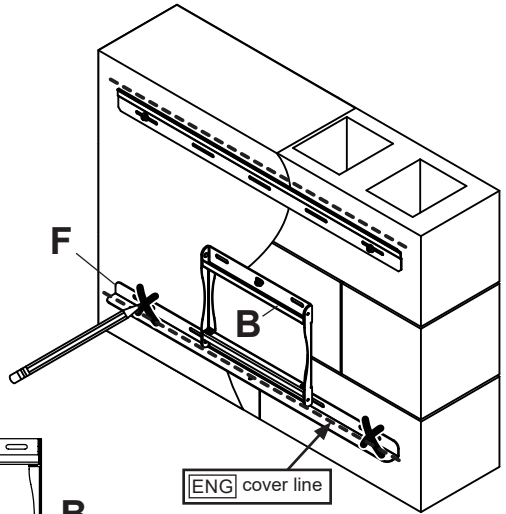
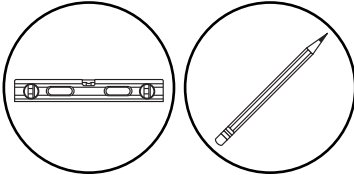
7b

▲ WARNING

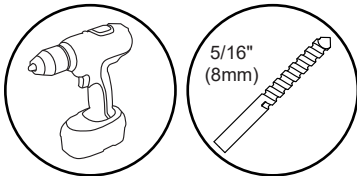
ENG - When installing Peerless wall mounts on a concrete wall, the wall must be at least 8" thick with a minimum compressive strength of 2000 psi. When installing Peerless wall mounts on a cinder block wall, the cinder blocks must meet ASTM C-90 specifications and have a minimum nominal width of 8". Do not drill into mortar joints! Be sure to mount in a solid part of the block, generally 1" (25 mm) minimum from the side of the block. It is suggested that a standard electric drill on slow setting is used to drill the hole instead of a hammer drill to avoid breaking out the back of the hole when entering a void or cavity. Never attach concrete expansion anchors to concrete or cinder block covered with plaster, drywall or other finishing material.

7b-1

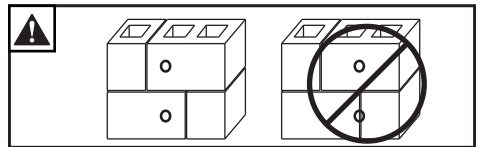
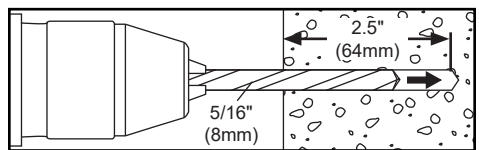
ENG Mark mounting holes.



7b-2

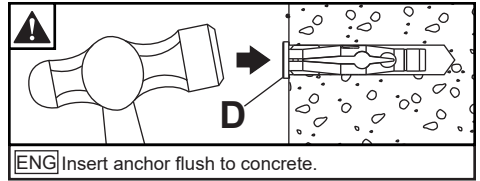
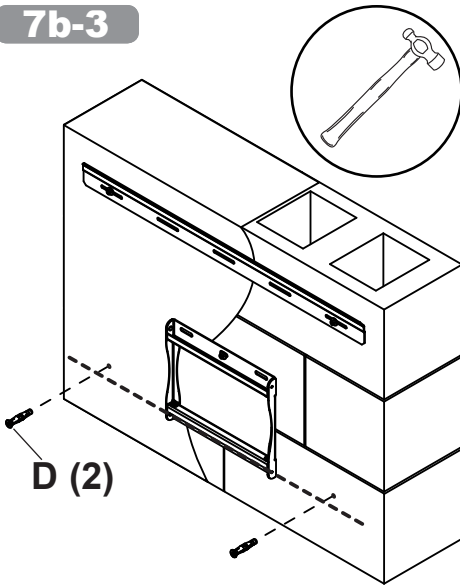


ENG Drill mounting holes into supporting surface (2.5" (64mm) minimum depth required).



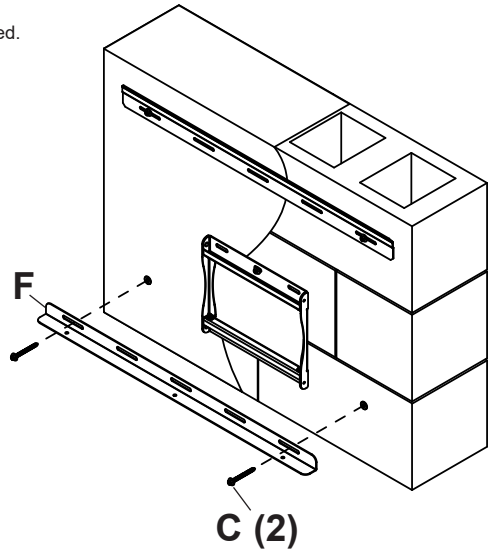
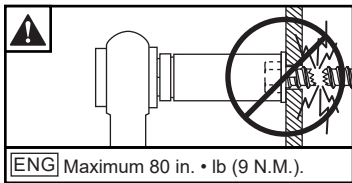
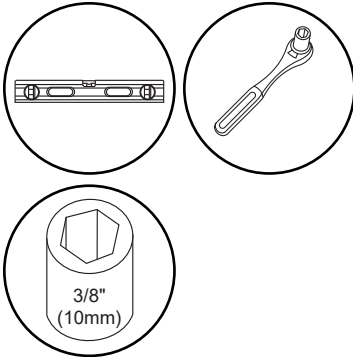
ENG Do not drill into mortar joints.

7b-3

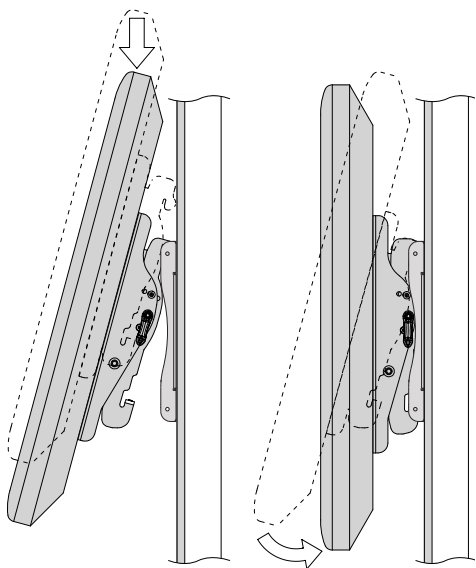


7b-4

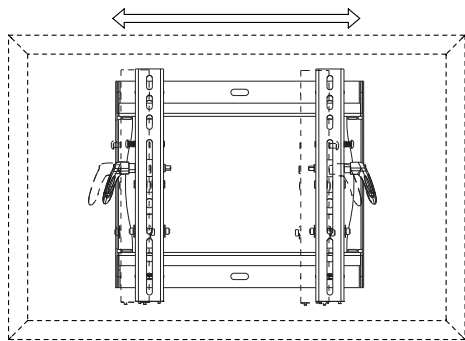
ENG Level wallplate. Install using wood screws provided.



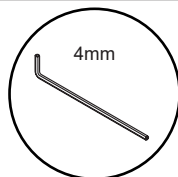
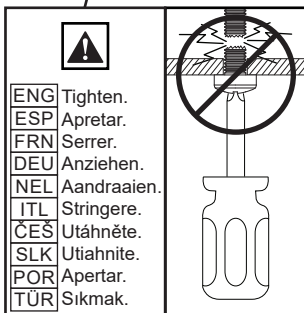
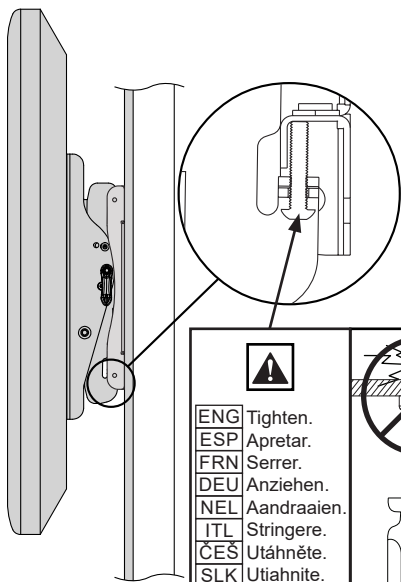
8



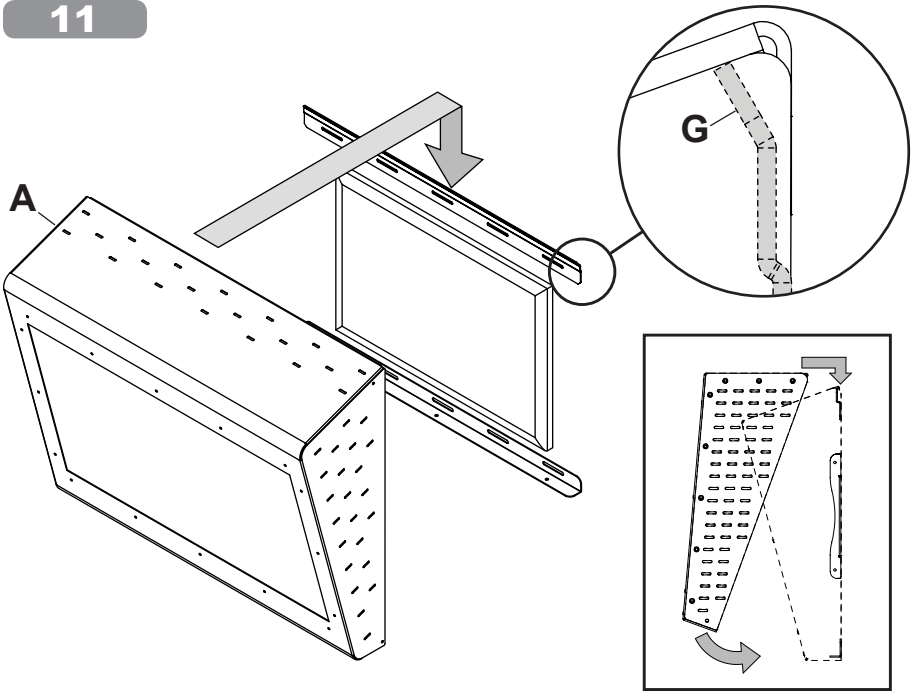
9



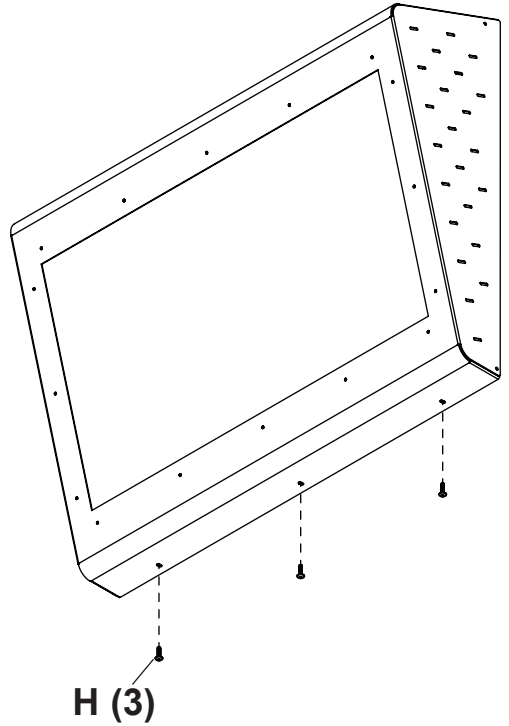
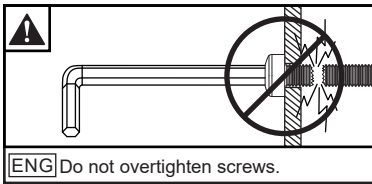
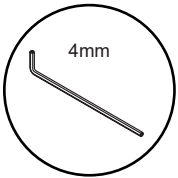
10



11



12



LIMITED FIVE-YEAR WARRANTY

Peerless Industries, Inc. ("Peerless-AV") warrants to original end-users that each Peerless-AV® mounting product will be free from defects in material and workmanship, under normal use, for the applicable warranty period (from date of the original installation of the product). At its option, Peerless-AV will repair or replace, or refund the purchase price of, any product which fails to conform with this warranty.

Any implied warranty of merchantability or fitness for a particular purpose shall be limited to the period of the express warranty set forth below.

In no event shall Peerless-AV be liable for incidental or consequential damages, whether or not secured by a security device which may be included with the product.

Some states do not allow limitations on how long an implied warranty lasts, or the exclusion of incidental or consequential damages, so the above limitation and/or the above exclusion may not apply to you.

This warranty does not cover damage caused by incorrect selection, installation or the failure to follow Peerless-AV instructions or warnings when installing, using or storing the product.

This warranty gives specific legal rights, and you may also have other rights which vary from state to state. To make a warranty claim in North America, contact Peerless-AV customer care at 1-800-865-2112. See complete global warranty information for regions outside North America at www.peerless-av.com/en-uk/customer-care/warranties-returns.

The logo for Peerless-AV features the word "peerless" in a bold, lowercase, red sans-serif font. To its right, the letters "AV" are rendered in a red outline font, with a registered trademark symbol (®) to the upper right of the "V".

Peerless-AV
2300 White Oak Circle
Aurora, IL 60502
Email: tech@peerlessmounts.com
Ph: (800) 865-2112
Fax: (800) 359-6500
www.peerless-av.com

Peerless-AV Europe
Unit 3 Watford Interchange,
Colonial Way, Watford, Herts,
WD24 4WP, United Kingdom
Customer Care
44 (0) 1923 200 100
www.peerless-av.com

Peerless-AV de Mexico
Ave de las Industrias 413
Parque Industrial Escobedo
Escobedo N.L. Mexico 66062
Servicio al Cliente
01-800-849-65-77
www.peerless-av.com