

⚠ WARNING

ENG - Do not begin to install product until you have read and understood the instructions and warnings contained in this user guide. This product is designed to be installed on wood stud, solid concrete or cinder block walls. Hardware is included for wood stud, solid concrete and cinder block installation. Before installing make sure the supporting surface will support the combined load of the equipment and hardware. Screws must be tightly secured. Do not overtighten screws or damage can occur and product may fail. Never exceed the Maximum Load Capacity. Always use an assistant or mechanical lifting equipment to safely lift and position equipment. This product is intended for indoor use only. Use of this product outdoors could lead to product failure or personal injury. To reduce the risk of electric shock or fire, do not expose product to water or moisture. Be sure power cord is routed so that it will not be tripped on, stepped on, or pinched by heavy items. Avoid overloading electrical outlets or extension cords. Always disconnect the power cord from the power outlet when installing, servicing, or not using the product for an extended period of time. Do not block ventilation slots or fan exhaust on product. Blocking airflow could damage product. Arrange product to allow air to flow freely around product. Keep product away from direct sunlight or any source of heat. For support please call 1-800-865-2112.

ENG Symbols



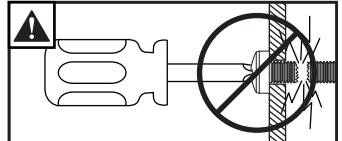
ENG WARNING



ENG Skip to step.

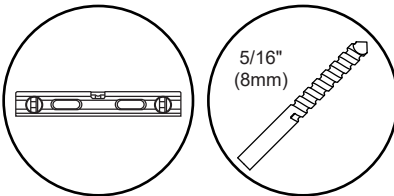
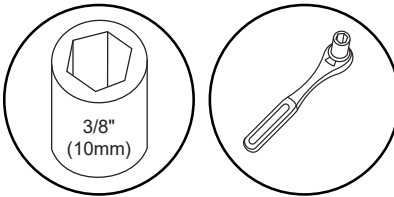
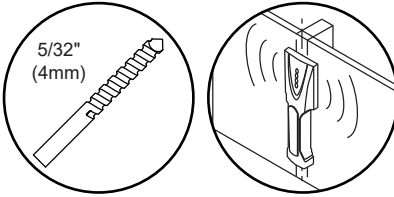
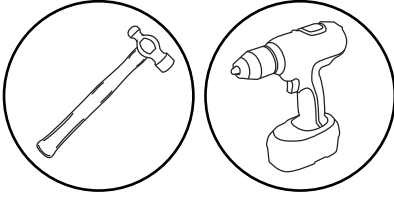
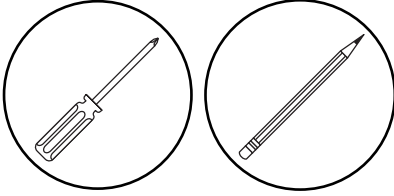


ENG Screws must get at least three full turns and fit snug.

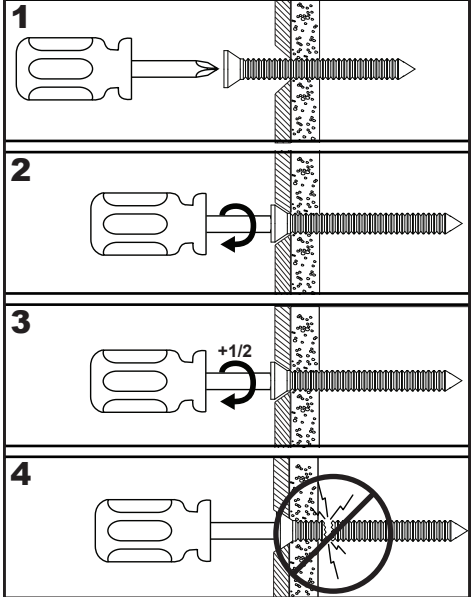


ENG Do not overtighten screws.

ENG Tools Needed for Assembly.



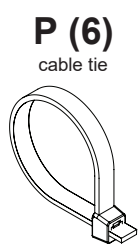
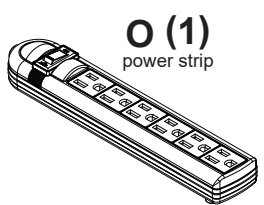
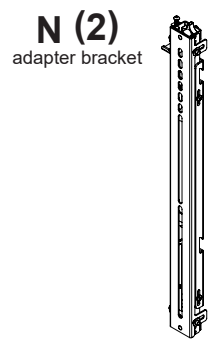
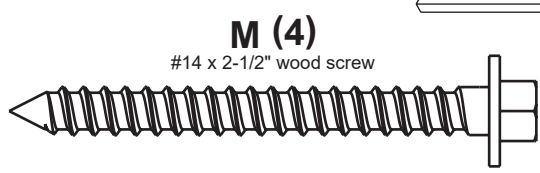
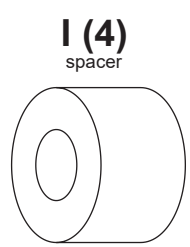
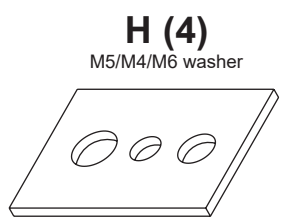
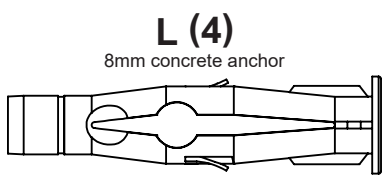
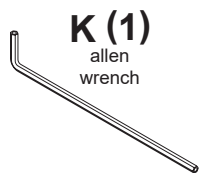
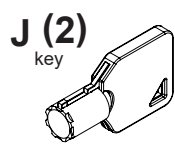
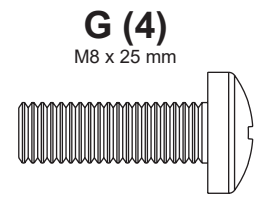
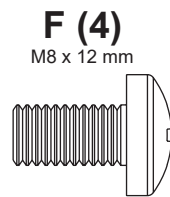
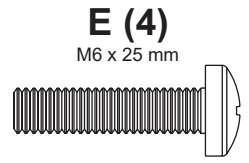
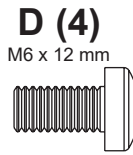
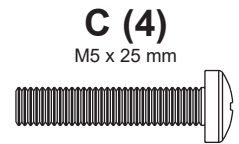
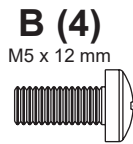
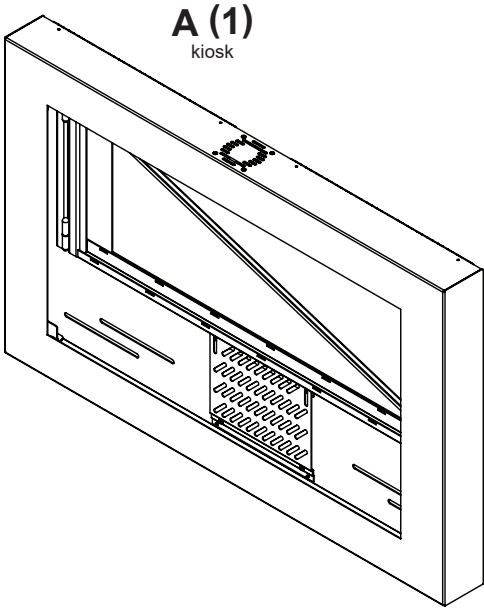
ENG To properly tighten screws: Tighten until screw head makes contact, then tighten another 1/2 turn. Do not overtighten screws.



ENG Parts (Before beginning, make sure you have all parts shown below).

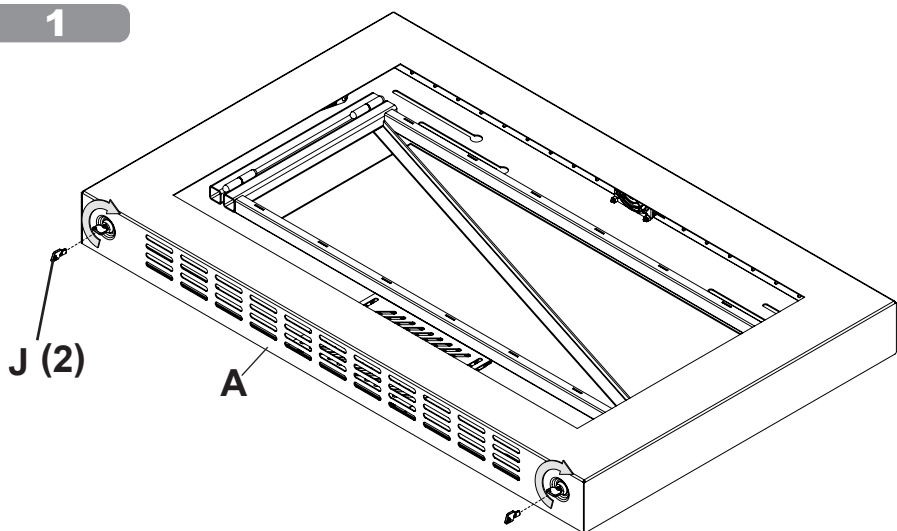
Parts List		KIL640	KIL642	KIL643	KIL646	KIL647
Description	Qty	KIL640-S	KIL642-S	KIL643-S	KIL646-S	KIL647-S
		Part #	Part #	Part#	Part #	Part #
A kiosk BLK	1	150-P1699	150-P1700	150-P1657	150-P1696	150-P1697
kiosk SLV		150-4699	150-4700	150-4657	150-4696	150-4697
B M5 x 12mm pan phl screw	4	520-1027	520-1027	520-1027	520-1027	520-1027
C M5 X 25mm pan phl screw	4	520-9543	520-9543	520-9543	520-9543	520-9543
D M6 x 12mm pan phl screw	4	520-1128	520-1128	520-1128	520-1128	520-1128
E M6 x 25mm pan phl screw	4	520-1208	520-1208	520-1208	520-1208	520-1208
F M8 x 12mm pan phl screw	4	520-9571	520-9571	520-9571	520-9571	520-9571
G M8 x 25mm pan phl screw	4	520-1031	520-1031	520-1031	520-1031	520-1031
H M5/M4/M6 multi washer	4	580-1398	580-1398	580-1398	580-1398	580-1398
I 1/4"spacer	4	540-1059	540-1059	540-1059	540-1059	540-1059
J key	2	565-0049A	565-0049A	565-0049A	565-0049A	565-0049A
K 4mm allen wrench	1	560-9646	560-9646	560-9646	560-9646	560-9646
L 8mm concrete anchor	4	590-0320	590-0320	590-0320	590-0320	590-0320
M #14 x 2.5" wood screw	4	5S1-015-C03	5S1-015-C03	5S1-015-C03	5S1-015-C03	5S1-015-C03
N adaptor bracket	2	150-T1682	150-T1682	150-T1682	150-T1682	150-T1682
O power strip	1	600-0370	600-0370	600-0370	600-0370	600-0370
P cable tie	6	560-1756	560-1756	560-1756	560-1756	560-1756

Parts List		KIL648	KIL649	KIL655
Description	Qty	KIL648-S	KIL649-S	KIL655-S
		Part #	Part #	Part#
A kiosk BLK	1	150-P1698	151-P1812	150-P1701
kiosk SLV		150-4698	151-4812	150-4701
B M5 x 12mm pan phl screw	4	520-1027	520-1027	520-1027
C M5 X 25mm pan phl screw	4	520-9543	520-9543	520-9543
D M6 x 12mm pan phl screw	4	520-1128	520-1128	520-1128
E M6 x 25mm pan phl screw	4	520-1208	520-1208	520-1208
F M8 x 12mm pan phl screw	4	520-9571	520-9571	520-9571
G M8 x 25mm pan phl screw	4	520-1031	520-1031	520-1031
H M5/M4/M6 multi washer	4	580-1398	580-1398	580-1398
I 1/4"spacer	4	540-1059	540-1059	540-1059
J key	2	565-0049A	565-0049A	565-0049A
K 4mm allen wrench	1	560-9646	560-9646	560-9646
L 8mm concrete anchor	4	590-0320	590-0320	590-0320
M #14 x 2.5" wood screw	4	5S1-015-C03	5S1-015-C03	5S1-015-C03
N adaptor bracket	2	150-T1682	150-T1682	150-T1682
O power strip	1	600-0370	600-0370	600-0370
P cable tie	6	560-1756	560-1756	560-1756

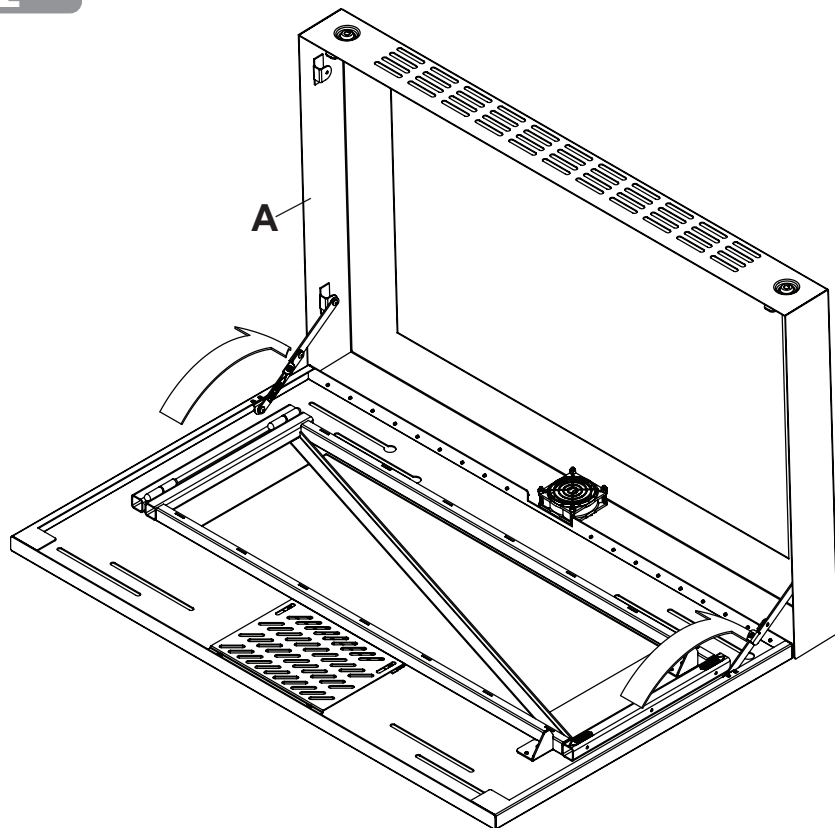


ENG This page intentionally left blank.

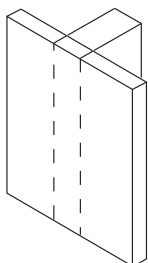
1



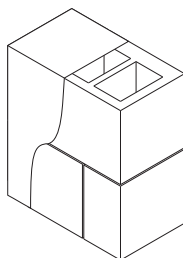
2



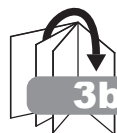
3



ENG Wood stud wall.



ENG Concrete/Cinder block.

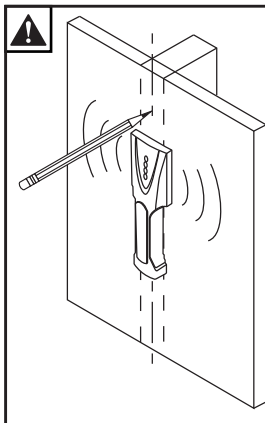
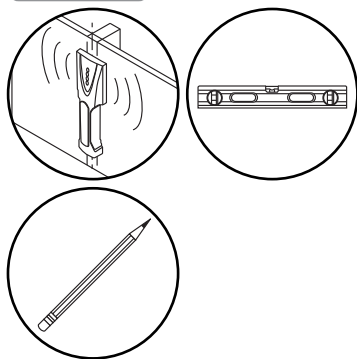


3a

⚠ WARNING

ENG - When installing Peerless wall mounts on a wood stud wall covered with gypsum board (drywall), verify that the wood studs are a minimum of 2" x 4" nominal size. Do not install over gypsum board thicker than 5/8".

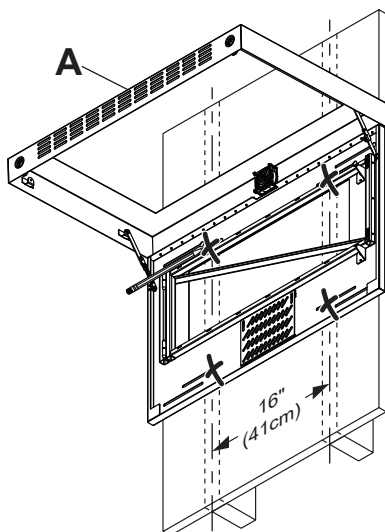
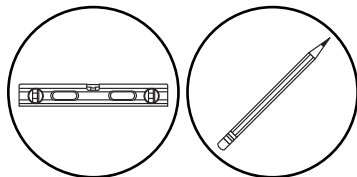
3a-1



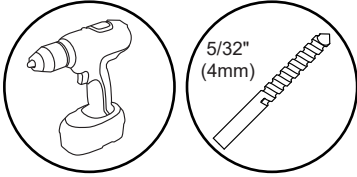
ENG Use stud finder to locate and mark stud center lines.

3a-2

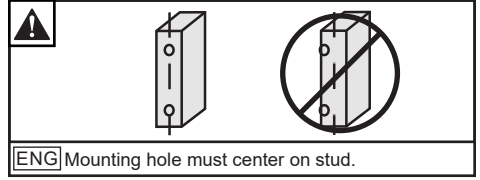
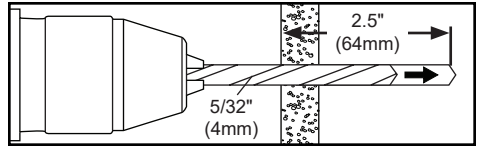
ENG Level wallplate. Mark mounting holes on stud center lines.



3a-3



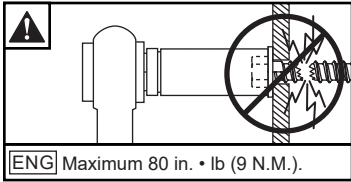
ENG Drill mounting holes into supporting surface (2.5" (64 mm) minimum depth required).



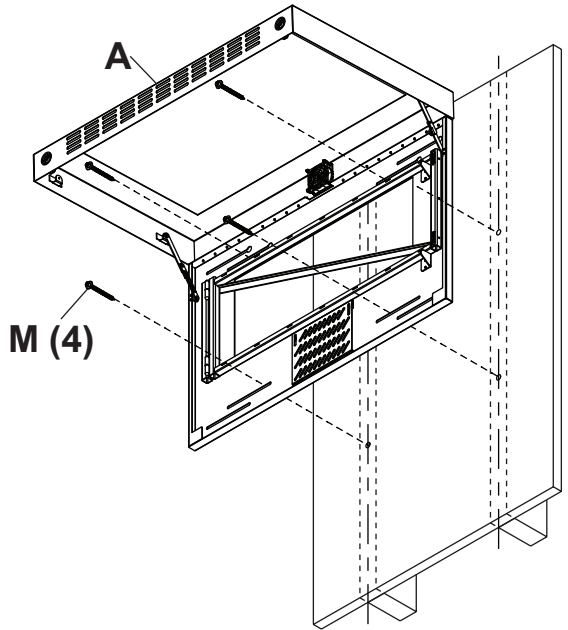
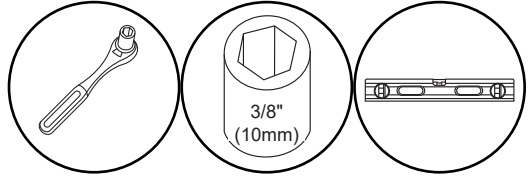
ENG Mounting hole must center on stud.

3a-4

ENG Level wallplate. Install using wood screws provided.



ENG Maximum 80 in. • lb (9 N.M.).

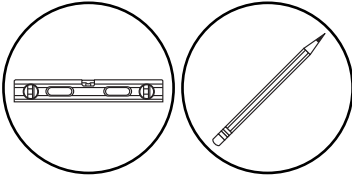


3b

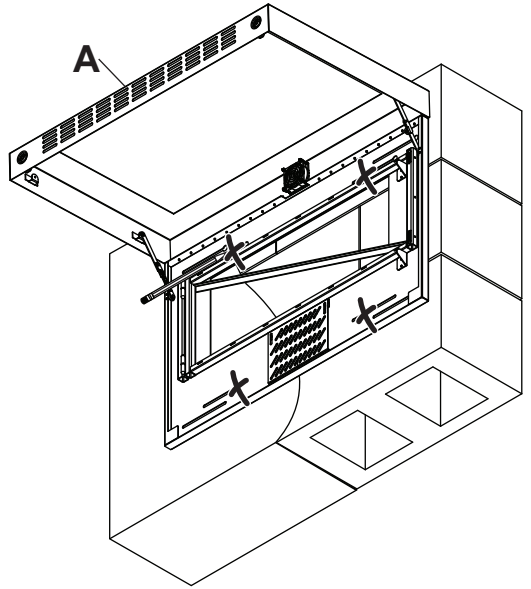
▲ WARNING

ENG - When installing Peerless wall mounts on a concrete wall, the wall must be at least 8" thick with a minimum compressive strength of 2000 psi. When installing Peerless wall mounts on a cinder block wall, the cinder blocks must meet ASTM C-90 specifications and have a minimum nominal width of 8". Do not drill into mortar joints! Be sure to mount in a solid part of the block, generally 1" (25mm) minimum from the side of the block. It is suggested that a standard electric drill on slow setting is used to drill the hole instead of a hammer drill to avoid breaking out the back of the hole when entering a void or cavity. Never attach concrete expansion anchors to concrete or cinder block covered with plaster, drywall or other finishing material.

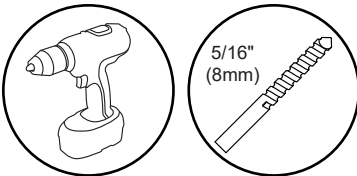
3b-1



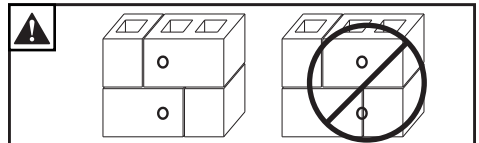
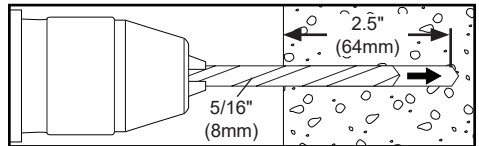
ENG Level wallplate. Mark mounting holes.



3b-2

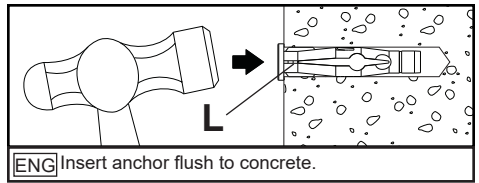
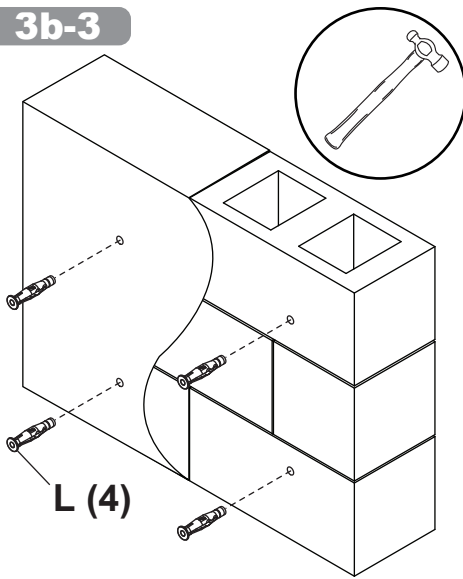


ENG Drill mounting holes into supporting surface (2.5" (64 mm) minimum depth required).

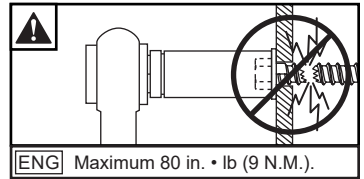
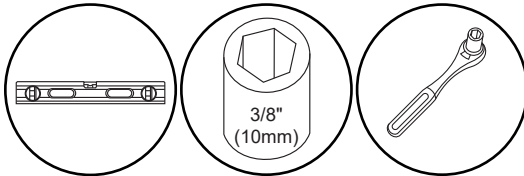


ENG Do not drill into mortar joints.

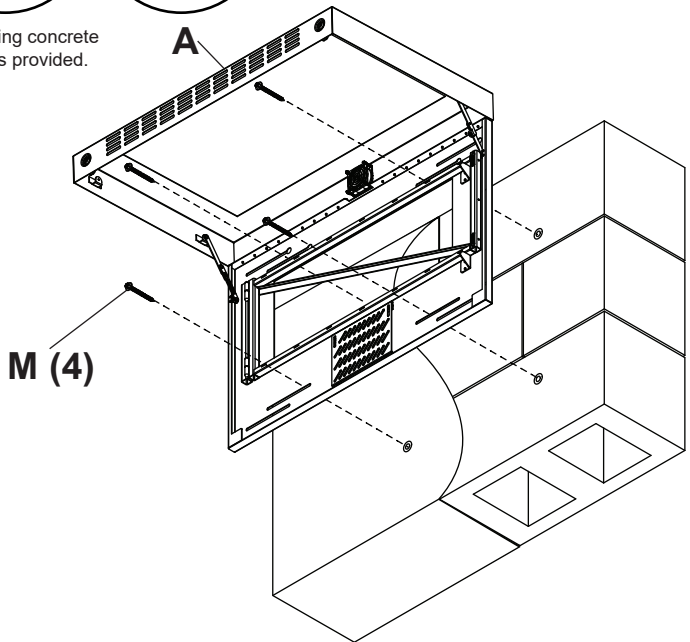
3b-3



3b-4

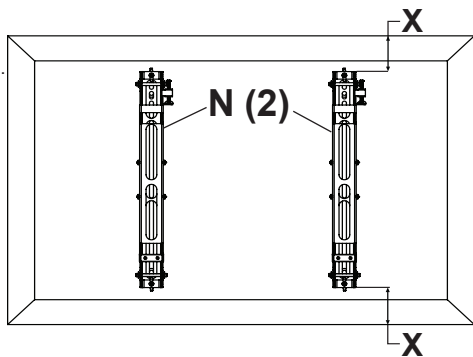


ENG Level wallplate. Install using concrete anchors and wood screws provided.



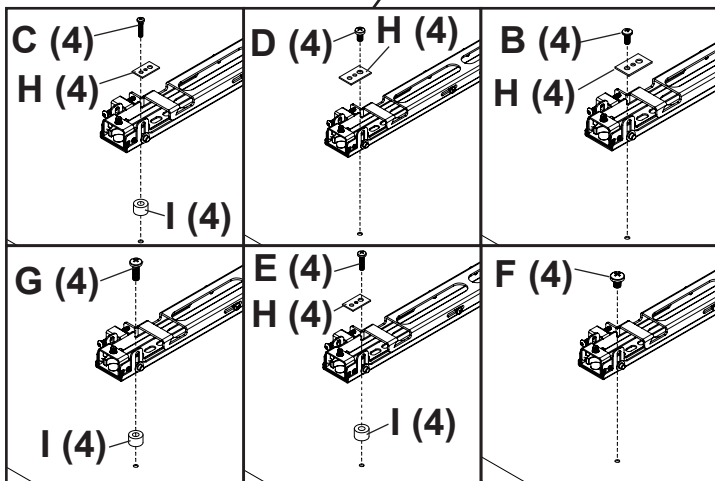
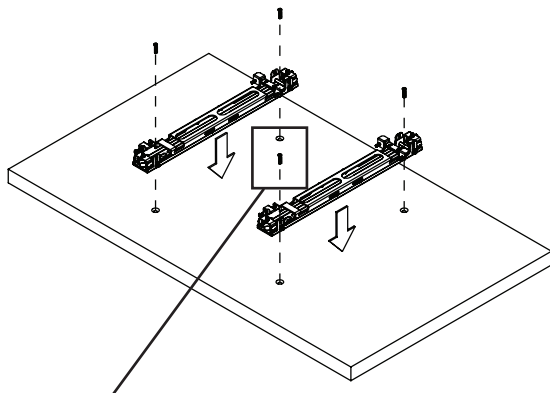
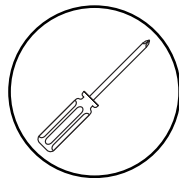
4

ENG Center adapter brackets vertically on back of screen.

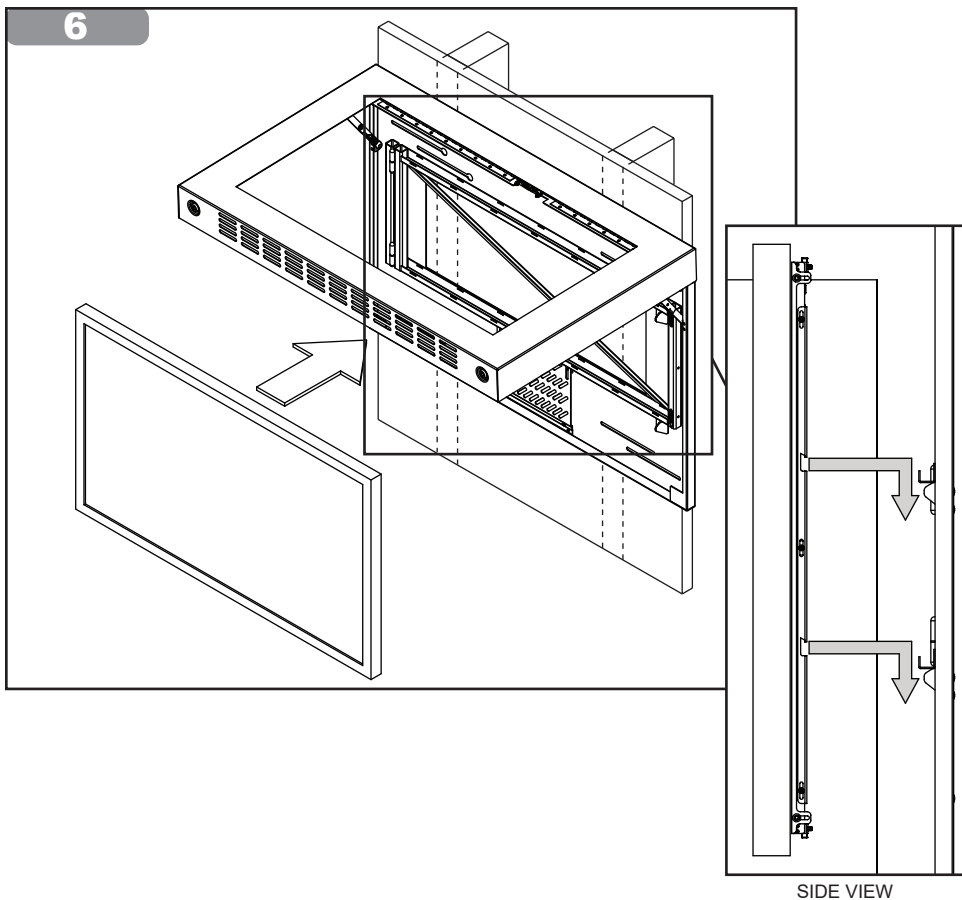


5

ENG If adapter brackets interfere with display peripherals (plugs, etc.), use spacers provided. Consider the depth of the display and spacer when determining if the display will fit within the kiosk.



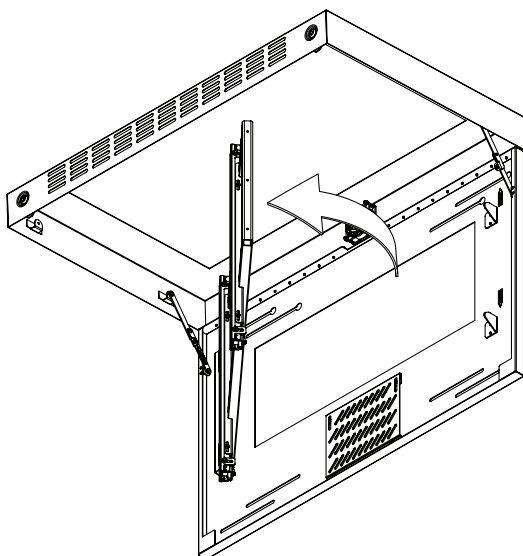
6

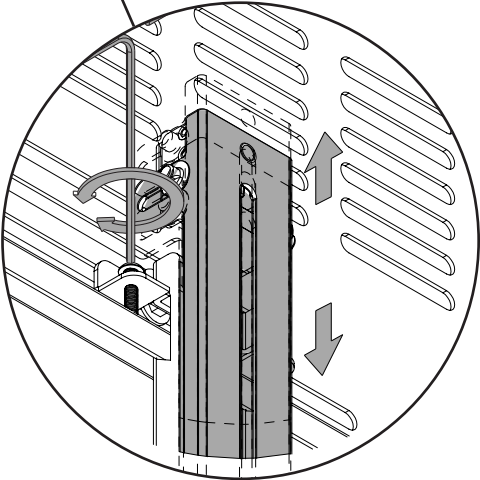
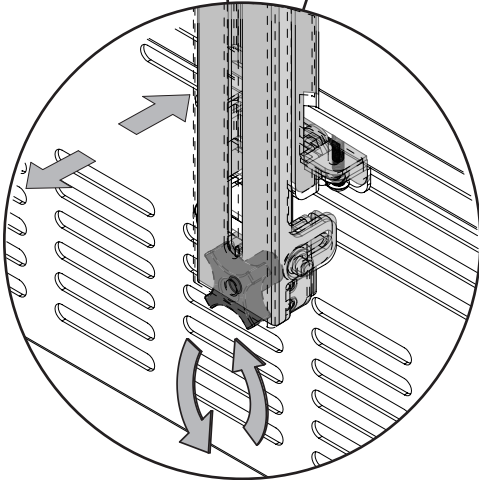
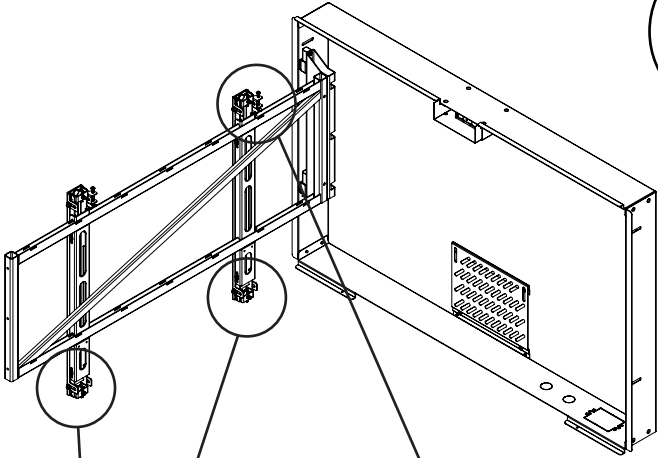
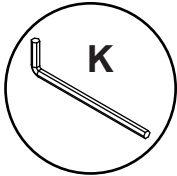


SIDE VIEW

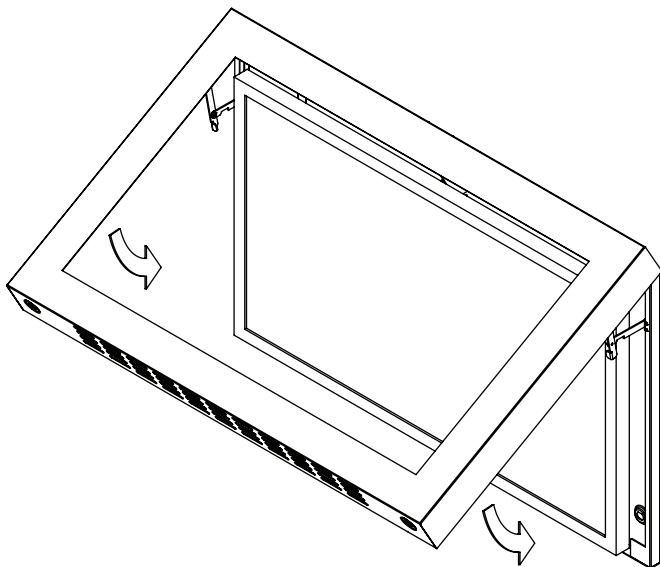
7

[ENG] Note: Mounting Arm swings out to access adapter brackets and behind display

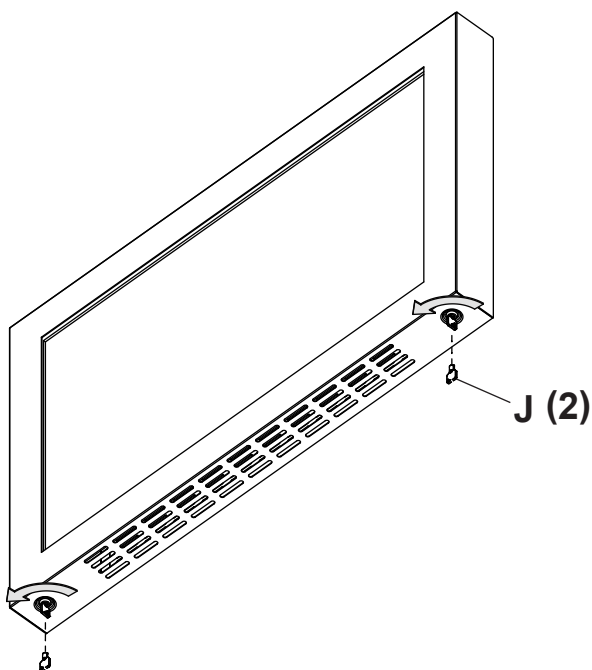




9



10



ENG Warranty
ITL Garanzia

ESP Garantía
ČES Záruka

FRN Garantie
SLK Záruka

DEU Garantie
POR Garantia

NEL Garantie
TÜR Garanti

www.peerless-av.com/warranty

peerless-AV[®]

Peerless-AV

2300 White Oak Circle
Aurora, IL 60502
Email: tech@peerlessmounts.com
Ph: (800) 865-2112
Fax: (800) 359-6500
www.peerless-av.com

© 2020, Peerless Industries, Inc.

Peerless-AV Europe

Unit 3 Watford Interchange,
Colonial Way, Watford, Herts,
WD24 4WP, United Kingdom
Customer Care
44 (0) 1923 200 100
www.peerless-av.com

© 2020, Peerless Industries, Inc.

Peerless-AV América Latina

Av. de las Industrias 413
Parque Industrial Escobedo
General Escobedo N.L., México 66062
Servicio al Cliente
01-800-849-65-77
www.peerless-av.com

© 2020, Peerless Industries, Inc.