

HF642-003

Enclosed Flat Wall Mount

For 40" to 55" Flat Panel LED Displays with VESA® 400 x 400mm mounting hole pattern

This incredibly easy to install enclosed flat mount provides functionality while delivering a clean and secure installation for hospitality applications. The ultra slim design accentuates the look of the flat panel LED display by holding it just 0.75" from the wall. Engineered to expedite the installation, the simple hook and hang design allows the mount to be installed in a matter of minutes. Included security hardware assures the display will not come dislodged from the wall while also deterring tampering and theft.



TV size: 40"-55"



Max load: 100lb (45kg)

FEATURES

- Ultra slim design holds displays only 0.75" from the wall
- Clean profile provides the aesthetically pleasing appearance required for hospitality settings
- Open wall plate design allows for total wall access, increasing electrical and cable management options
- Hook and hang design allows for an easy install
- Included security hardware deters tampering and theft



Profile with display



RoHS
2002/95/EC

MADE IN USA

CLICK: peerless-av.com

CALL: 800.865.2112

FAX: 800.359.6500

peerless-AV™

HF642-003 Enclosed Flat Wall Mount for 40" to 55" Flat Panel LED Displays with VESA® 400 x 400mm mounting hole pattern

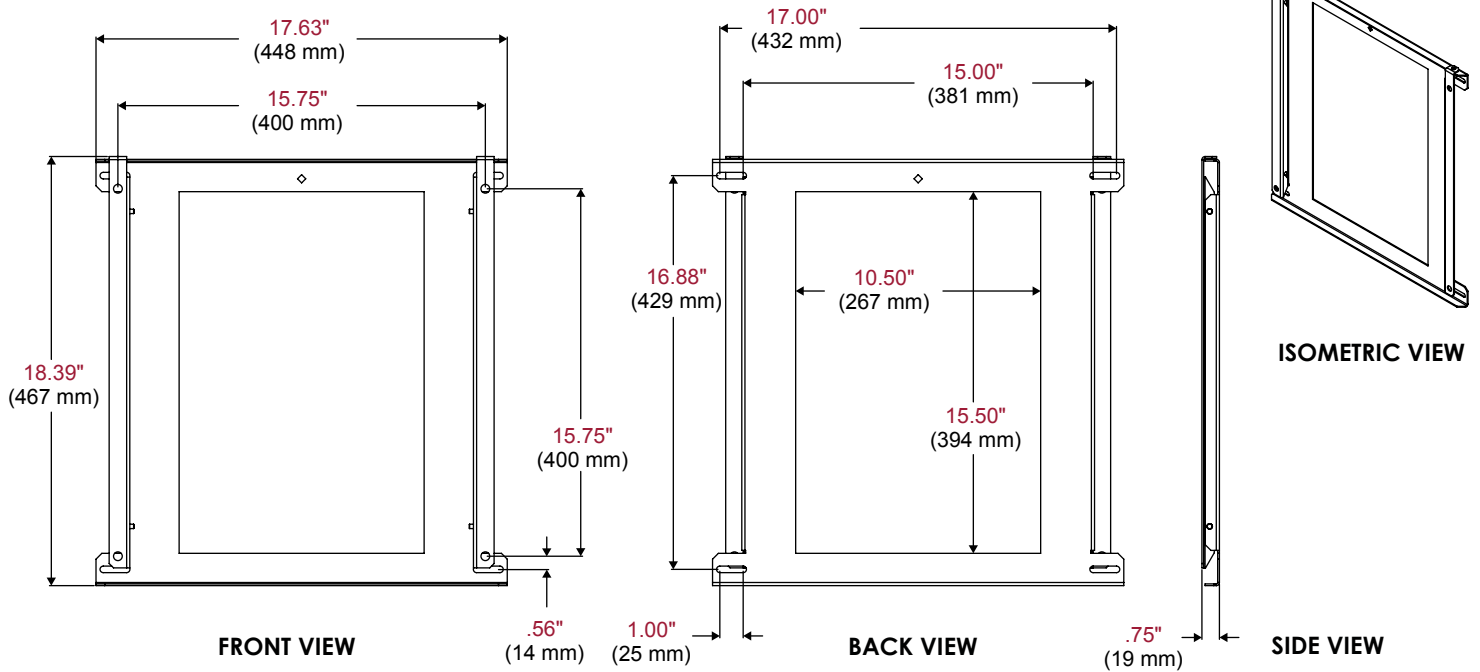
Product Specifications

	DIMENSIONS (W x H x D)	PRODUCT WEIGHT	LOAD CAPACITY	FINISH	AVAILABLE COLORS
HF642-003	17.63" x 18.39" x 0.75" (448 x 467 x 19mm)	5.5lb (2.5kg)	100lb (45kg)	Powder Coat	Black

Package Specifications

	PACKAGE SIZE (L x W x H)	PACKAGE SHIP WEIGHT	PACKAGE UPC CODE	PACKAGE CONTENTS	UNITS IN PACKAGE
HF642-003	29.0" x 21.25" x 1.5" (737 x 540 x 38mm)	6.5lb (3kg)	735029289890	Adapter assembly, wall plate and mounting hardware	1

All dimensions = inch (mm)



ARCHITECTS SPECIFICATIONS

The Enclosed Flat Wall Mount shall be Peerless-AV model HF642-003 shall be located where indicated on the plans. It shall be constructed of heavy gauge steel. The finish shall be scratch resistant black fused epoxy. Assembly and installation shall be done according to instructions provided by the manufacturer.