

FPS-1000



Mounting Pattern
100 x 100 and
200 x 100mm



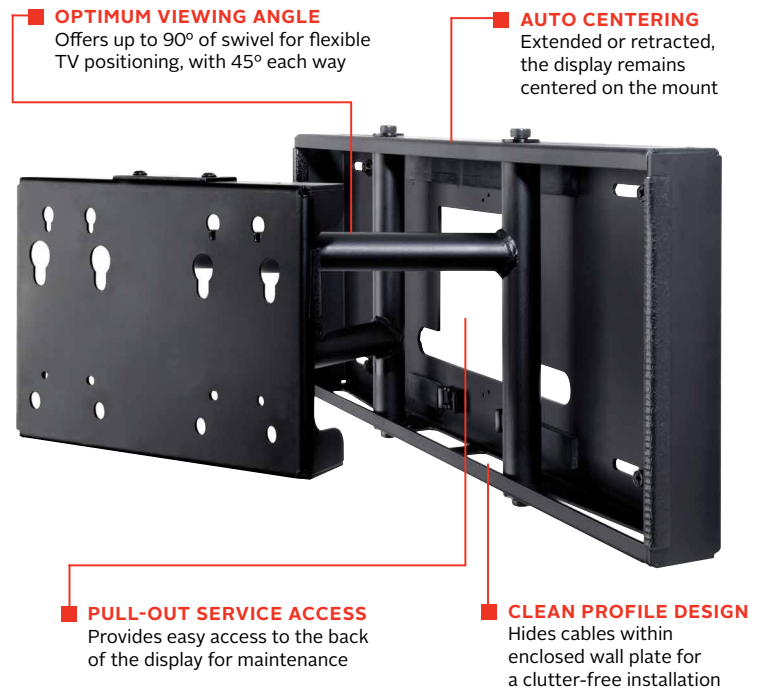
Max Load
150lb
(68kg)

Pull-Out Swivel Wall Mount

FOR 32" TO 80" DISPLAYS (IDEAL FOR LARGER DISPLAYS)

The FPS-1000 Pull-out Swivel Wall Mount combines the best features of a wall mount and a pivot arm in one. This mount is essential for on the wall, low-profile, single or multi-panel video wall installations or hospitality recessed applications. It comes standard with VESA® 100/200mm compliant mounting hole pattern and is compatible with Peerless-AV PLP adaptor technology to accommodate virtually any flat panel display. Installation and maintenance are made easy with 4" (101.6mm) of horizontal on the wall shift, LockKey™ safety feature and easy access to the back of the display for maintenance. Functionality, great looks and display compatibility options combined with versatile installation features make the FPS-1000 the ideal solution for any single or multi-display installation.

- Built in adaptor plate supports VESA® 100 x 100 and 200 x 100mm compatibility
- Works with Peerless-AV® dedicated and universal PLP mounting adaptor plates
- 2.16" (55mm) deep when closed, swivel arms extend to 10.53" (267mm)
- Ideal for wall mount applications and attachment to false backsplashes
- Roll can be adjusted 1° clockwise or counterclockwise
- Includes security lock out screw to eliminate pull out ability
- Security screws prevent tampering and theft
- Mounts on 16" (406.4mm) studs, with up to 4" (101.6mm) of horizontal shift



Please visit peerless-av.com/en-us/patents for patent information.



LockKey™
Installation Tool



Perfect for In-Wall or
Recessed Applications

FPS-1000 Pull-Out Swivel Wall Mount for 32"-80" Displays

Product Specifications

	DIMENSIONS (W x H x D)	PRODUCT WEIGHT	LOAD CAPACITY	FINISH	AVAILABLE COLORS
FPS-1000	21.00" x 9.64" x 2.16"-10.53" (533 x 245 x 55-267mm)	17.6lb (7.98kg)	150lb (68kg)	Scratch Resistant Fused Epoxy	Black

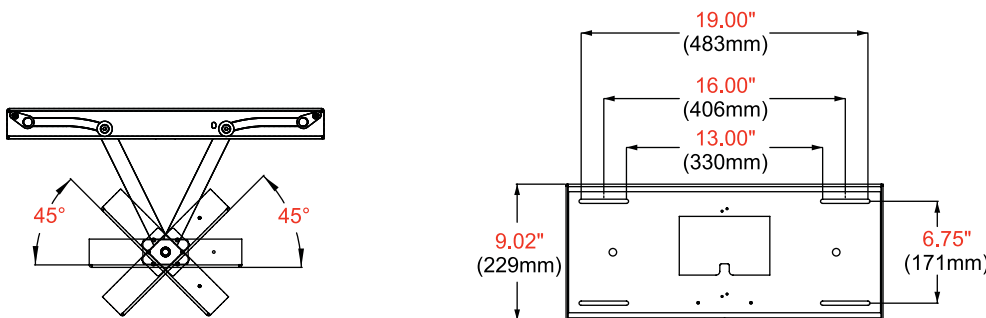
Package Specifications

	PACKAGE SIZE (W x H x D)	PACKAGE SHIP WEIGHT	PACKAGE UPC CODE	PACKAGE CONTENTS	UNITS IN PACKAGE
FPS-1000	25.00" x 5.25" x 12.00" (635 x 133 x 305mm)	20lb (9.1kg)	735029239444	Wall Mount Assembly, LockKey™ Installation Tool, Locking Swivel Tab, Cable Management Sleeve, Fastener Packet Including VESA® 100 x 100 and 200 x 100mm Display Attachment	1

Accessories

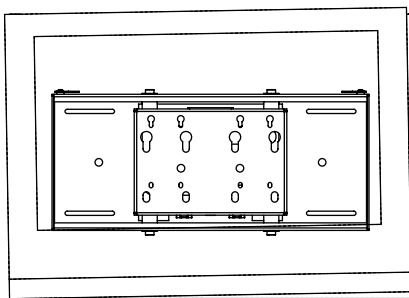
ACC-UCM:	Universal AV Component Mount	RM12W:	Rotational Mount Interface
PLP-UNM:	Universal I-Shaped Adaptor for 22" to 50" Displays	WSP816(-W):	Metal Stud Wall Plate, 16" on center
PLP-UNL:	Universal I-Shaped Adaptor for 32" to 90" Displays	WSP820(-W):	Metal Stud Wall Plate, 20" on center
PLP-V MODELS:	Dedicated Display Adaptor	WSP824(-W):	Metal Stud Wall Plate, 24" on center

All dimensions = inch (mm)

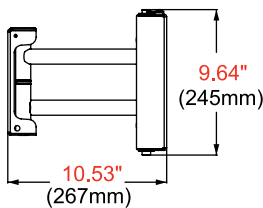


TOP VIEW

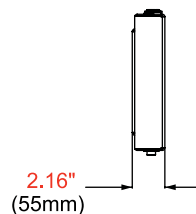
WALL PLATE DETAIL



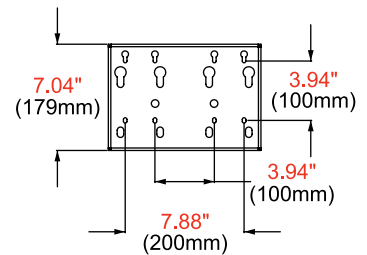
**FRONT VIEW
+/-1° ROLL**



**SIDE VIEW
EXTENDED**



**SIDE VIEW
COLLAPSED**



ADAPTOR DETAIL

Architect Specifications

The Pull-Out Swivel Wall Mount shall be a Peerless-AV model FPS-1000 and shall be located where indicated on the plans. Assembly and installation shall be done according to instructions provided by the manufacturer.

Visit peerless-av.com to see the complete line of AV solutions from Peerless-AV, including outdoor displays, kiosks, digital audio, display mounts, projector mounts, carts/stands, and a full assortment of accessories.

Peerless-AV
2300 White Oak Circle
Aurora, IL 60502 USA
(800) 865-2112
(630) 375-5100
Fax: (800) 359-6500

Peerless-AV EMEA
Unit 3 Watford Interchange
Colonial Way, Watford
Herts, WD24 4WP
United Kingdom
+44 (0) 1923 200100
Fax: +44 (0) 1923 200101

Peerless-AV Latin America
Av. de las Industrias 413
Parque Industrial Escobedo
General Escobedo, N.L.,
México, 66062
+52 (81) 8384-8300
Fax: +52 (81) 8384-8360

