

ACC-V1500X



**Mounting Pattern**  
1200mm or 1500mm



**Max Load**  
225lb (102.1kg)

# Accessory Adaptor Rails

For VESA® 1200mm or 1500mm Wide Mounting Patterns

Increase your mounts' compatibility with the ACC-V1500X by Peerless-AV®. This adaptor rail extender can be used with displays with 1200mm or 1500mm wide mounting patterns. This adaptor extender is compatible with the SF680(P), SR598 and DS-VW795-QR.

- Adaptor rail solution for displays with 1200mm or 1500mm wide mounting patterns
- Attaches to the mounts with a 400mm or 500mm wide mounting patterns
- Allows the display to be mounted in portrait or landscape
- Security hardware deters tampering and theft



#### ■ MOUNT COMPATIBILITY

Attaches to the mount at the 400mm or 500mm wide mounting pattern



#### ■ DISPLAY COMPATIBILITY

Attaches to the display at the 1200mm or 1500mm wide mounting patterns



**ACC-V1500X** Accessory Adaptor Rails for VESA® 1200mm or 1500mm Wide Mounting Patterns

**Product Specifications**

	DIMENSIONS (W x H x D)	PRODUCT WEIGHT	LOAD CAPACITY	FINISH	AVAILABLE COLORS
<b>ACC-V1500X</b>	60.74" x 1.50" x 1.00" (1543 x 38 x 25mm)	22.8lb (10.3kg)	225lb (102.1kg)* <i>*Be careful not to exceed the max load of the mount</i>	Powder Coat	Black

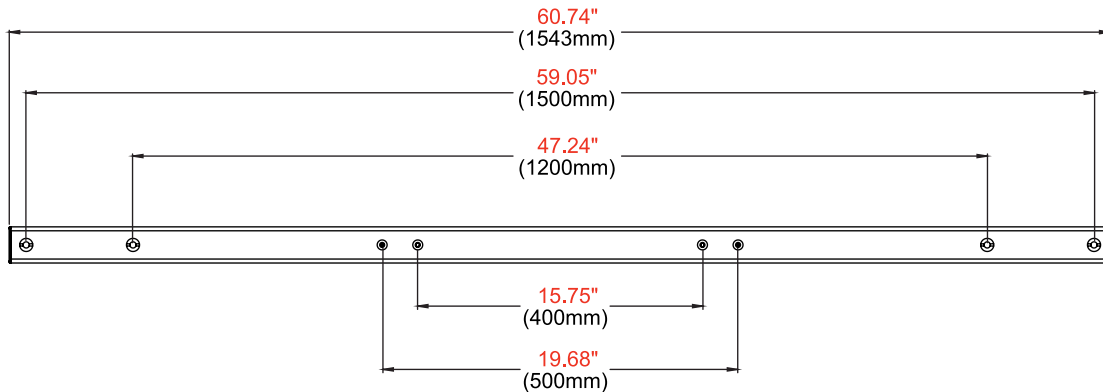
**Package Specifications**

	PACKAGE SIZE (W x H x D)	PACKAGE SHIP WEIGHT	PACKAGE UPC CODE	PACKAGE CONTENTS	UNITS IN PACKAGE
<b>ACC-V1500X</b>	64.50" x 3.00" x 3.00" (1638 x 76 x 76mm)	23.8lb (10.8kg)	735029346593	Adaptor Rails and Mounting Hardware	1

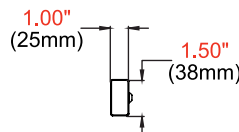
**Compatible with:**

- SF680:** SmartMount® Universal Flat Wall Mount for 60" to 98" Displays
- SR598:** SmartMount® Flat Panel Cart for 55" to 98"+ Displays
- DS-VW795-QR:** SmartMount® Full Service Video Wall Mount with Quick Release for 65" to 98" Displays

All dimensions = inch (mm)



**FRONT VIEW**



**SIDE VIEW**

**Architect Specifications**

The Accessory Adaptor Rails shall be a Peerless-AV model ACC-V1500X and shall be located where indicated on the plans. Assembly and installation shall be done according to instructions provided by the manufacturer.

Visit [peerless-av.com](http://peerless-av.com) to see the complete line of AV solutions from Peerless-AV, including outdoor displays, kiosks, display mounts, projector mounts, carts/stands, and a full assortment of accessories.

**Peerless-AV**  
2300 White Oak Circle  
Aurora, IL 60502  
USA  
**(800) 865-2112**  
**(630) 375-5100**

**Peerless-AV EMEA**  
Unit 2 Curo Park  
Frogmore, St. Albans  
Hertfordshire, AL2 2DD  
United Kingdom  
**+44 (0) 1923 200 100**

**Peerless-AV B.V.**  
Papendorpseweg 75  
3528 BJ Utrecht  
The Netherlands  
**+31 (0) 70 770 8037**

**Peerless-AV Latin America**  
Av. de las Industrias 413  
Parque Industrial Escobedo  
General Escobedo, N.L.,  
México, 66062  
**+52 (81) 8384-8300**

