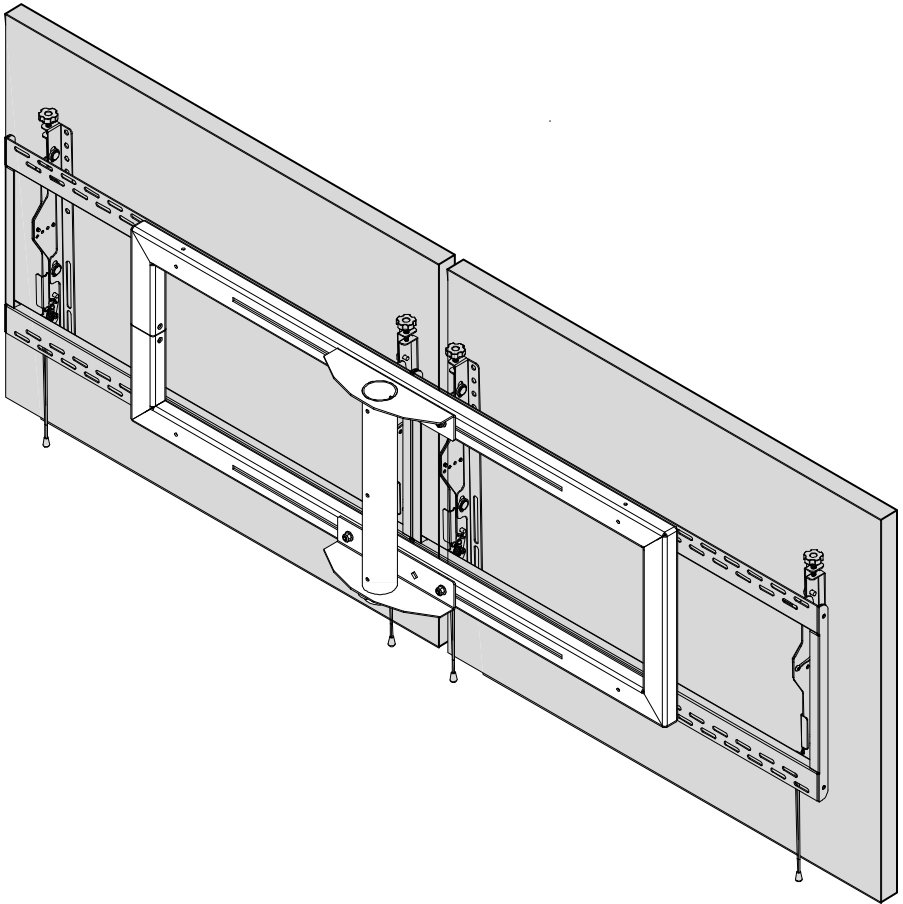


# peerless-AV<sup>®</sup>

## ACC-MBF



## ⚠ WARNING

ENG - Before installing make sure the supporting surface will support the combined load of the equipment and hardware. Screws must be tightly secured. Do not overtighten screws or damage can occur and product may fail. Never exceed the Maximum Load Capacity. Always use an assistant or mechanical lifting equipment to safely lift and position equipment. This product is intended for indoor use only. Use of this product outdoors could lead to product failure or personal injury. Be careful not to pinch fingers when operating the mount. For support please call customer care at 1-800-865-2112.

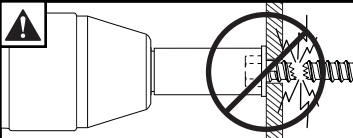
ENG Symbols



ENG WARNING



ENG Skip to step.



ENG Do not overtighten screws.

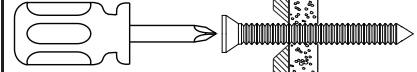


ENG Screws must get at least three full turns and fit snug.

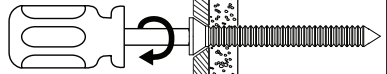


ENG To properly tighten screws: Tighten until screw head makes contact, then tighten another 1/2 turn. Do not overtighten screws.

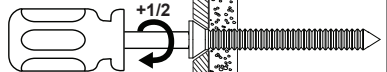
1



2



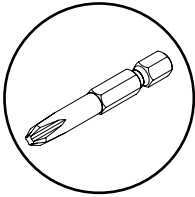
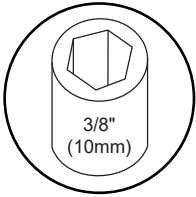
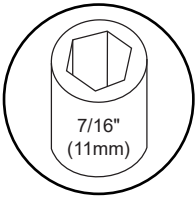
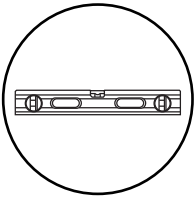
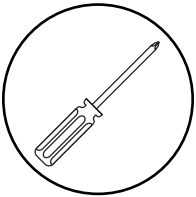
3



4



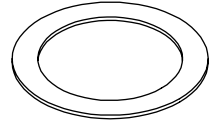
ENG Tools Needed for Assembly.



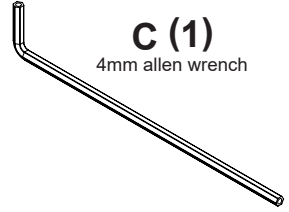
**ENG** Parts (Before beginning, make sure you have all parts shown below).

<b>Parts List</b>		
Description	Qty	Part#
<b>A</b> retaining collar	1	1800-375
<b>B</b> large washer	1	540-9432
<b>C</b> 4mm allen wrench	1	560-9646
<b>D</b> main frame	1	10002873-RBLK
<b>E</b> main post	1	146-1434
<b>F</b> carriage bolt	4	520-1175
<b>G</b> small washer	4	540-9440
<b>H</b> nylock nut	4	530-9413
<b>I</b> hex head screw	20	520-1321
<b>J</b> #10 x 1/2" phillips screw	2	520-1320
<b>K</b> M5 x 10mm socket pin screw	1	520-1164
<b>L</b> support bracket	2	146-1053
<b>M</b> 1/4-20 x 1/2" phillips screw	2	510-9108

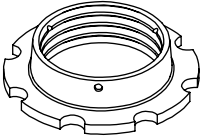
**B (1)**  
large washer



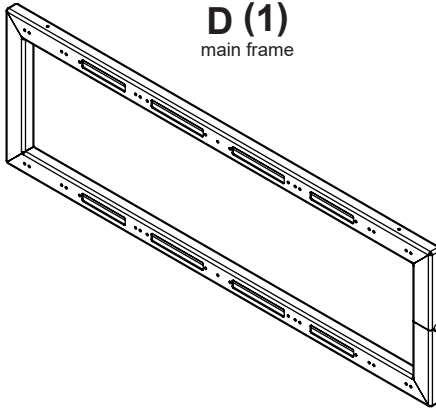
**C (1)**  
4mm allen wrench



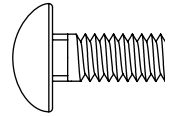
**A (1)**  
retaining collar



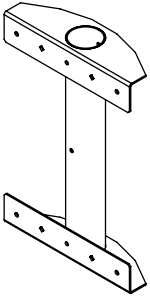
**D (1)**  
main frame



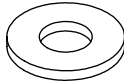
**F (4)**  
carriage bolt



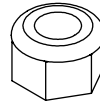
**E (1)**  
main post



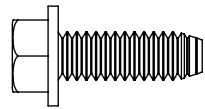
**G (4)**  
small washer



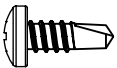
**H (4)**  
nylock nut



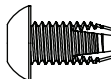
**I (20)**  
hex head screw



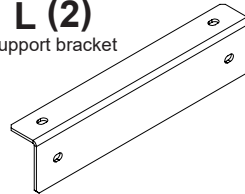
**J (2)**  
#10 x 1/2" phillips screw



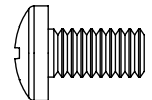
**K (1)**  
M5 x 10mm socket pin screw



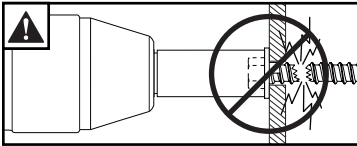
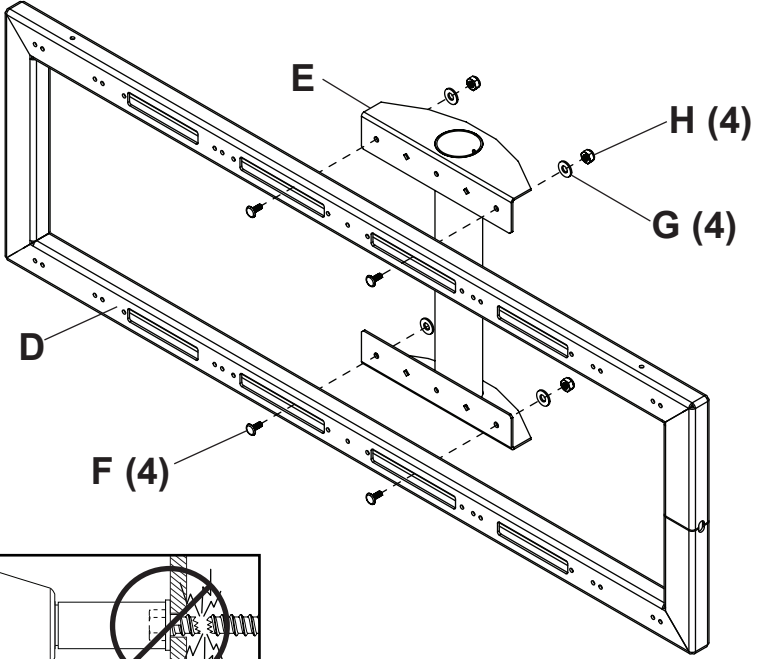
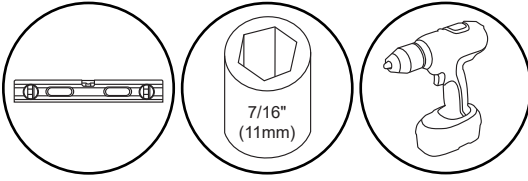
**L (2)**  
support bracket



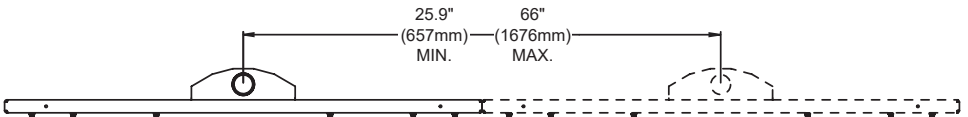
**M (2)**  
1/4-20 x 1/2"



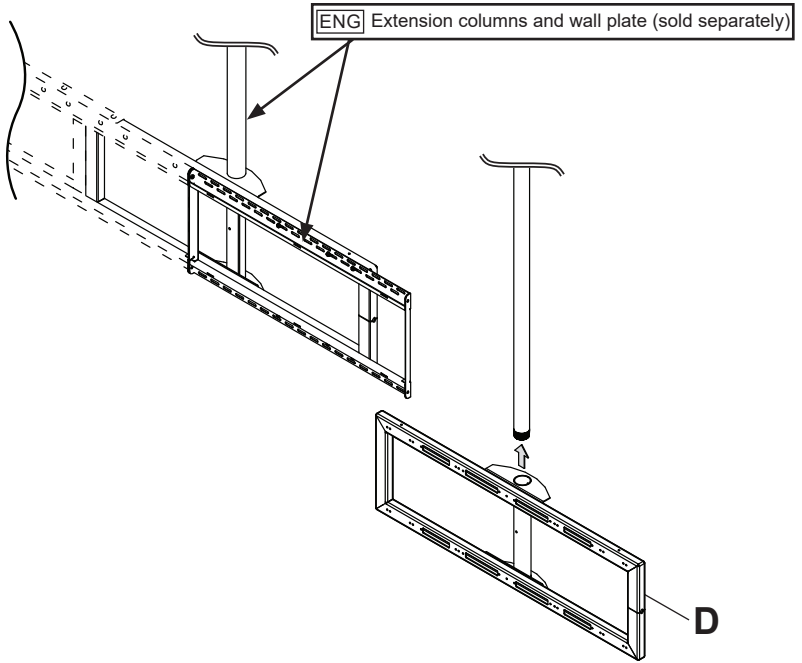
1



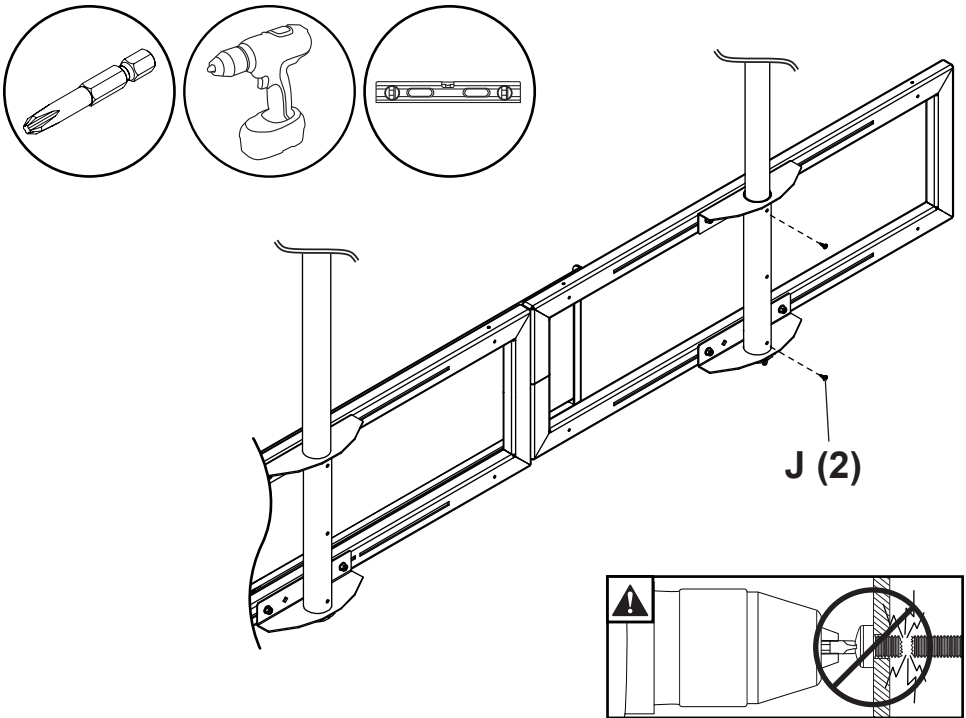
2



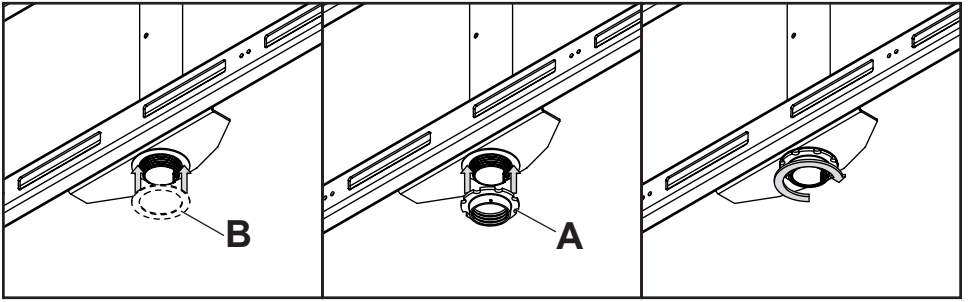
### 3-1



### 3-2

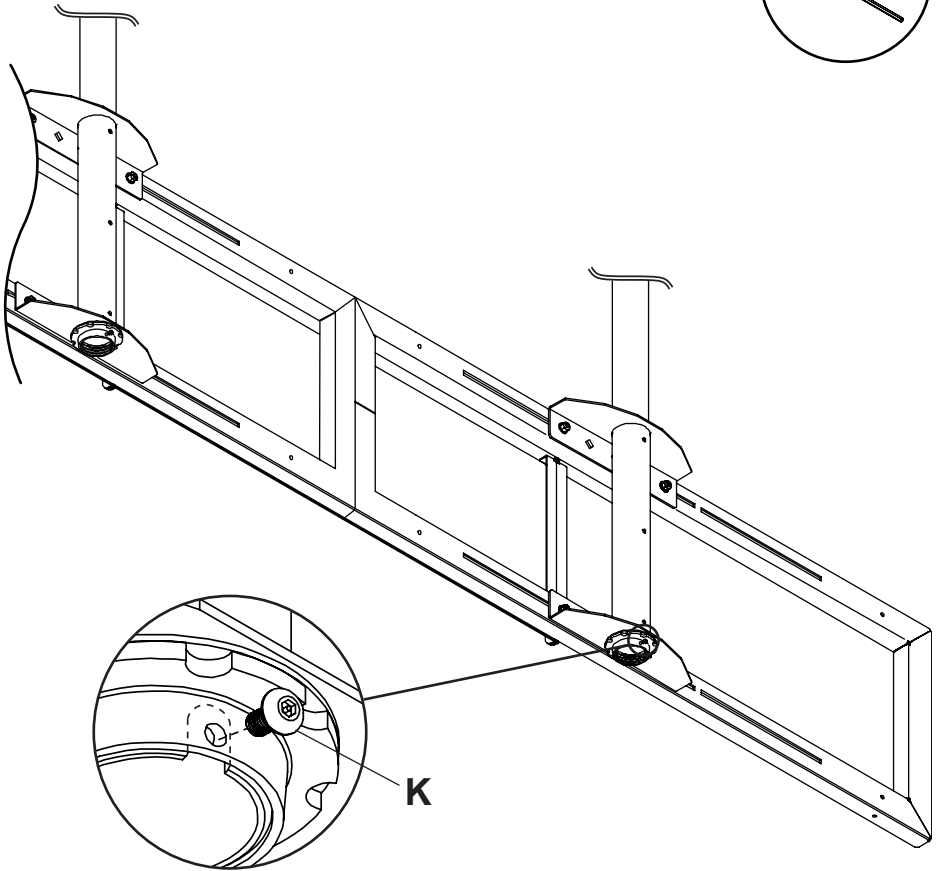
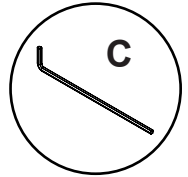


### 3-3

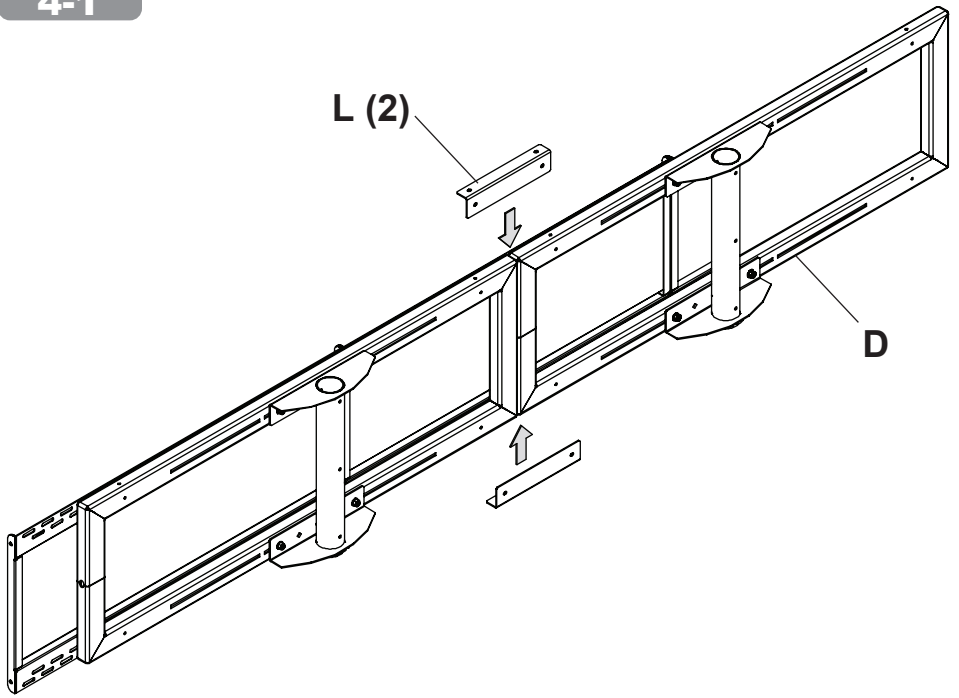


### 3-4

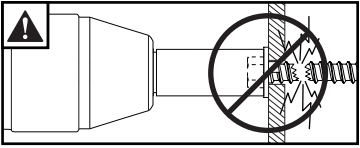
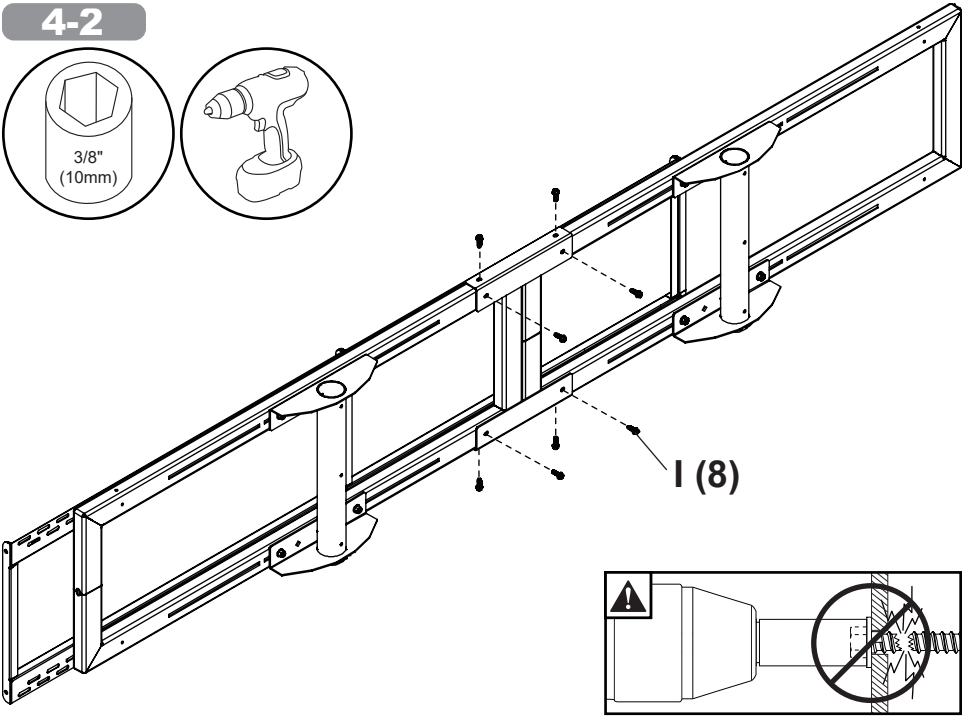
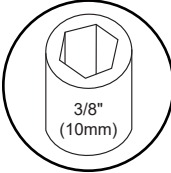
ENG Align slot of extension column



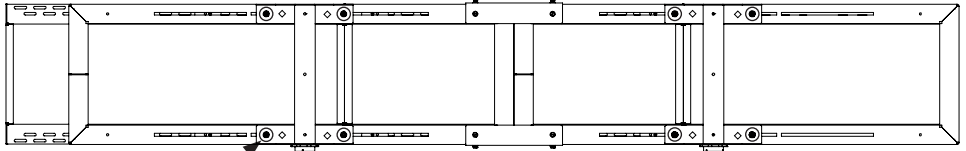
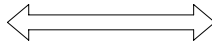
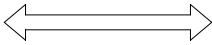
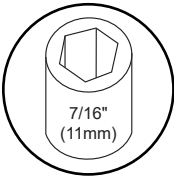
**4-1**



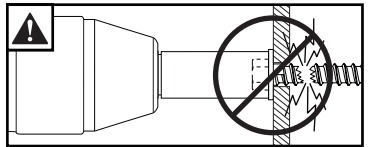
**4-2**



5

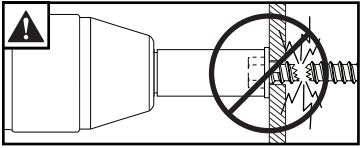
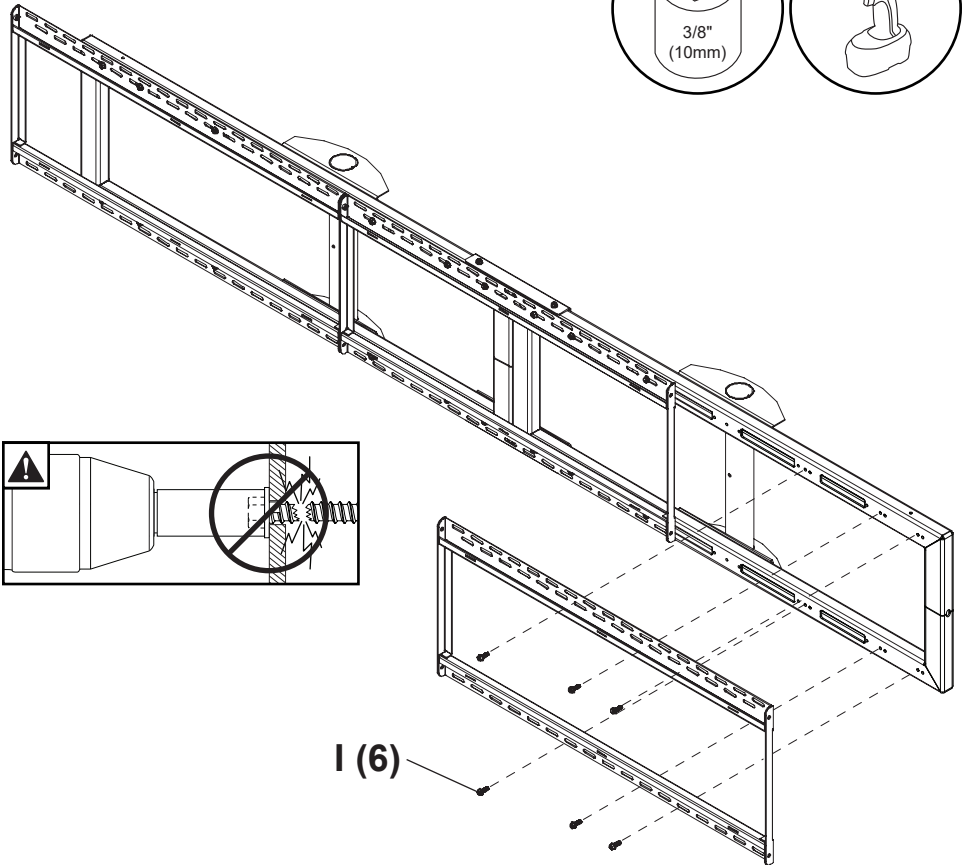
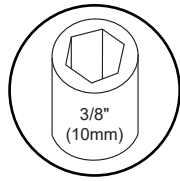


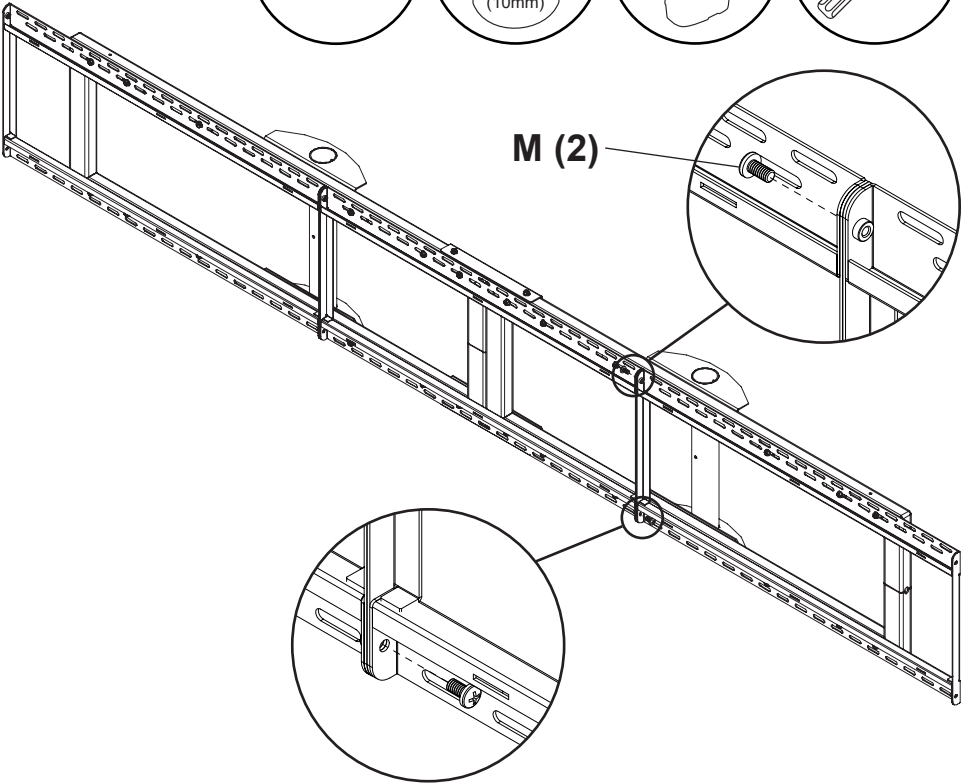
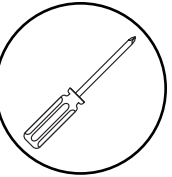
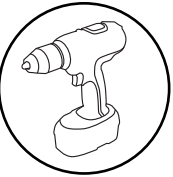
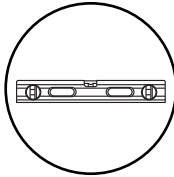
ENG Loosen, adjust, tighten.





6





**ENG** This page intentionally left blank.

ENG	Warranty	ESP	Garantía	FRN	Garantie	DEU	Garantie	NEL	Garantie
ITL	Garanzia	ČES	Záruka	SLK	Záruka	POR	Garantia	TÜR	Garanti

[www.peerless-av.com/warranty](http://www.peerless-av.com/warranty)

**peerless-AV<sup>®</sup>**

**Peerless-AV**

2300 White Oak Circle  
Aurora, IL 60502  
Email: [tech@peerlessmounts.com](mailto:tech@peerlessmounts.com)  
Ph: (800) 865-2112  
Fax: (800) 359-6500  
[www.peerless-av.com](http://www.peerless-av.com)

© 2021, Peerless Industries, Inc.

**Peerless-AV Europe**

Unit 3 Watford Interchange,  
Colonial Way, Watford, Herts,  
WD24 4WP, United Kingdom  
Customer Care  
44 (0) 1923 200 100  
[www.peerless-av.com](http://www.peerless-av.com)

© 2021, Peerless Industries, Inc.

**Peerless-AV América Latina**

Av. de las Industrias 413  
Parque Industrial Escobedo  
General Escobedo N.L., México 66062  
Servicio al Cliente  
01-800-849-65-77  
[www.peerless-av.com](http://www.peerless-av.com)

© 2021, Peerless Industries, Inc.