

# TECHNICAL DATA SHEET - Extension Column Connector with Cord Management

MODELS: ACC850, ACC850S



The **ACC850(S)** extension column connector with cord management is for use with the Vector Pro™ Plus mount and is offered in either black (ACC850) or silver (ACC850S). The 1 1/2" opening in the connector allows cords to be easily routed through a standard 1.9" OD extension column.

### Features:

- Easily attaches a standard 1.9" OD extension column to the Vector Pro Plus mount
- Complete Armor Lock™ security at connection points
- Can be used with Armor Lock Plus™ security cables to provide an extra level of security
- Constructed of aluminum with black or silver anodized finish

### Dimensions:

#### **Weight:**

**0.23 lb (0.11 kg)**

#### **Shipping weight:**

**0.39 lb (0.18 kg)**

#### **Shipping Carton dimensions:**

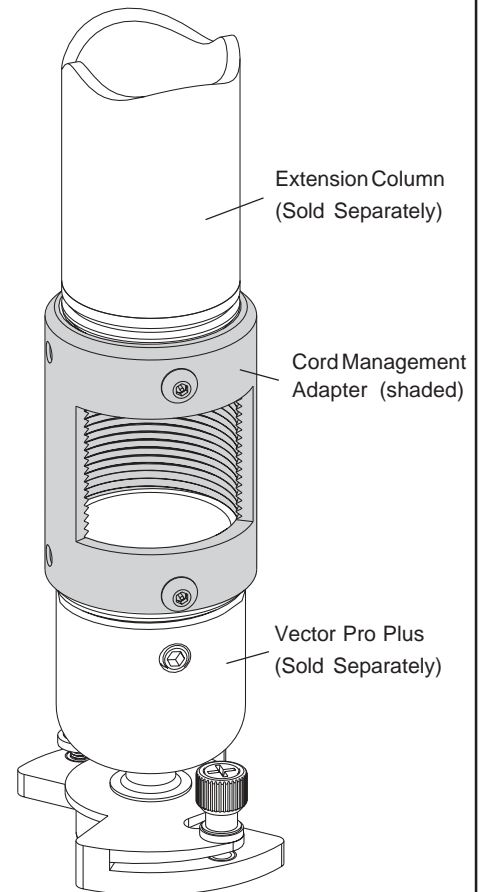
**L = 7.00" (178 mm)**

**W = 3.00" (76 mm)**

**H = 3.00" (76 mm)**

#### **Max. Load Capacity:**

**300 lb (136 kg)**



### **ARCHITECTSSPECIFICATIONS:**

The Cord Management Adapter shall be a Peerless model ACC850 or ACC850S. It shall be located where indicated on the plans. It shall be constructed of aluminum with black or silver anodized finish. Assembly and installation shall be done according to instructions provided by the manufacturer.

**Peerless Industries, Inc.**

3215 W. North Ave. Melrose Park, IL 60160  
708-865-8870 800-865-2112 Fax 708-865-2941

**[www.peerlessindustries.com](http://www.peerlessindustries.com)**

**ISSUED: 01-13-03 SHEET NO: 055-9636-3 09-03-09**

© 2004 Peerless Industries, Inc. All rights reserved.  
Peerless is a registered trademark of Peerless Industries, Inc.

Vector Pro, Armor Lock, and Armor Lock Plus are trademarks of Peerless Industries, Inc.  
All other brand and product names are trademarks or registered trademarks of their respective owners.

**MODELS: ACC850, ACC850S**

