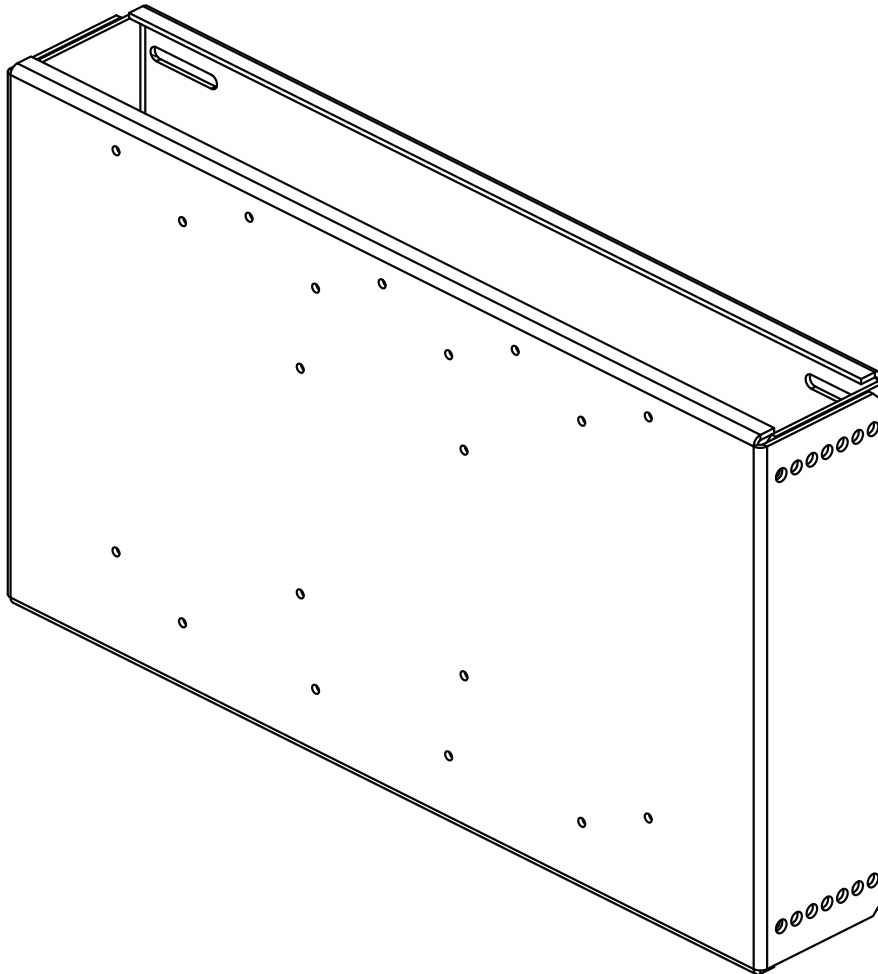




Installation and Assembly: Wall Adapter Box for Smart 600i, Smart UX60, and Hitachi A100WALLARM2

Model: ACC630

Maximum Load Capacity:
50 lb (22.6 kg)



IMPORTANT! Read instruction sheet before you start installation and assembly.

⚠ WARNING

- Do not begin to install your Peerless product until you have read and understood the instructions and warnings contained in this Installation Sheet. If you have any questions regarding any of the instructions or warnings, for US customers please call Peerless customer care at 1-800-865-2112, for all international customers, please contact your local distributor.
- This product should only be installed by someone of good mechanical aptitude, has experience with basic building construction, and fully understands these instructions.
- Make sure that the supporting surface will safely support the combined load of the equipment and all attached hardware and components.
- Never exceed the Maximum Load Capacity. See page one.
- If mounting to wood wall studs, make sure that mounting screws are anchored into the center of the studs. Use of an "edge to edge" stud finder is highly recommended.
- Always use an assistant or mechanical lifting equipment to safely lift and position equipment.
- Tighten screws firmly, but do not overtighten. Overtightening can damage the items, greatly reducing their holding power.
- This product is intended for indoor use only. Use of this product outdoors could lead to product failure and personal injury.
- This product was designed to be installed on the following wall construction only;

WALL CONSTRUCTION

- Wood Stud
- Wood Beam
- Solid Concrete
- Cinder Block
- Metal Stud
- Brick
- Other or unsure?

HARDWARE REQUIRED

- Included
- Included
- Do not attach except with Peerless Concrete Anchor Pack - ACC204;
- Do not attach except with Peerless Concrete Anchor Pack - ACC204;
- Do not attach except with Peerless Metal Stud Accessory Kit - ACC415;
- Contact Qualified Professional
- Contact Qualified Professional

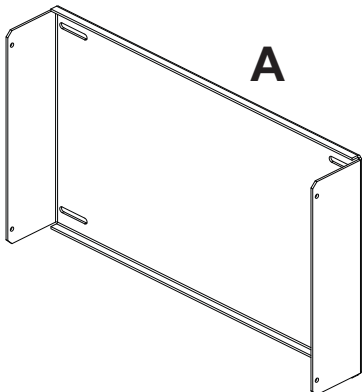
Before you begin, make sure all parts shown are included with your product.

Parts List

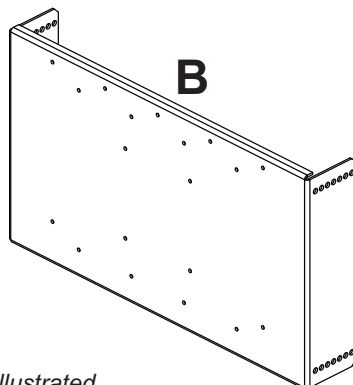
Description	Qty.	Part #
A wall plate	1	201-1773
B front plate	1	201-1772
C wood screw	4	5S1-015-C03
D 1/4-20 self-tapping screw	4	520-1592
E 10-32 self-tapping screw	8	520-1627

Tools Needed for Assembly

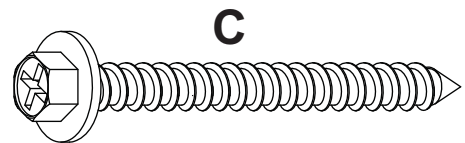
- stud finder ("edge to edge" stud finder is recommended)
- #2 phillips screwdriver, #3 phillips screwdriver, 3/8" socket wrench
- drill
- 5/32" (4 mm) bit for wood stud wall
- level



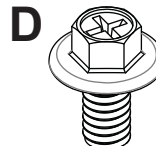
A



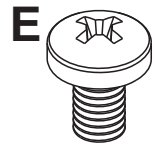
B



C



D



E

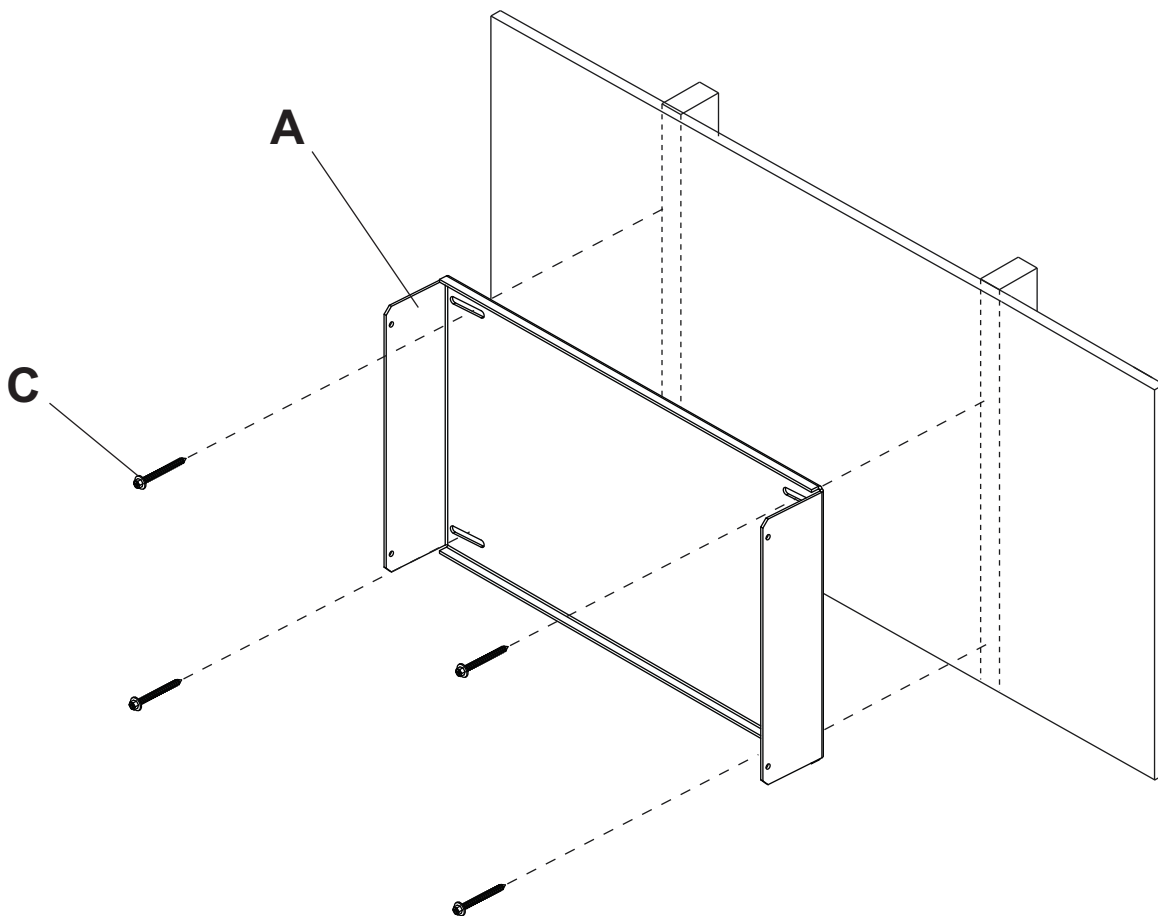
Parts may appear slightly different than illustrated.

Installation to Double Wood Stud Wall

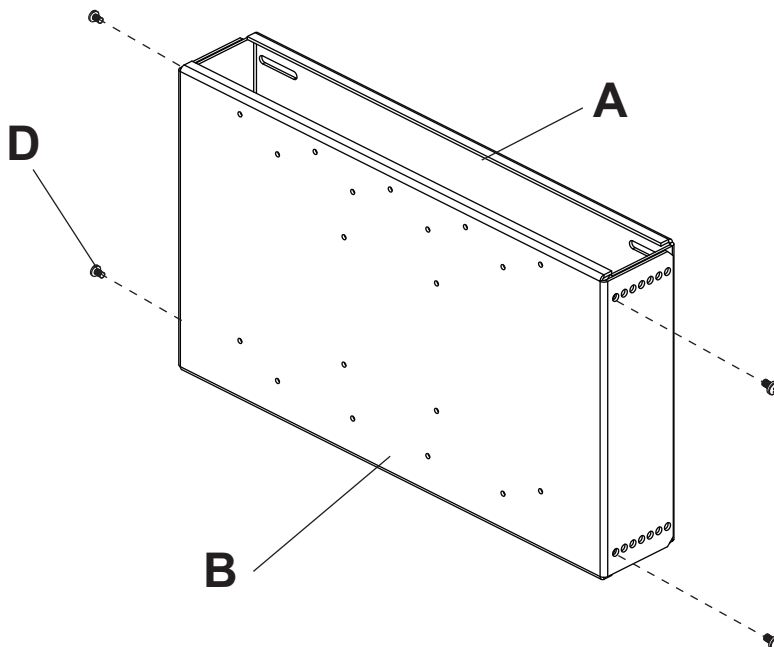
⚠ WARNING

- Installer must verify that the supporting surface will safely support the combined load of the equipment and all attached hardware and components.
- Tighten wood screws so that wall plate is firmly attached, but do not overtighten. Overtightening can damage the screws, greatly reducing their holding power.
- Never tighten in excess of 80 in. • lb (9 N.M.).
- Make sure that mounting screws are anchored into the center of the stud. The use of an "edge to edge" stud finder is highly recommended.
- Hardware provided is for attachment of mount through standard thickness drywall or plaster into wood studs. Installers are responsible to provide hardware for other types of mounting situations.

- 1 Use of an edge-to-edge stud finder is highly recommended. Based on their edges, draw a vertical line down each stud's center. Level wall plate (A), and mark the center of the four mounting holes. Make sure that the mounting holes are on the stud centerlines. Drill four 2.5" (4 mm) dia. holes 2-1/2" (64 mm) deep. Make sure that the wall plate (A) is level, secure it using four #14 x 2.5" wood screws (C) as shown.



- 2** Secure adapter plate (B) to wall plate (A), setting the desired depth with four 1/4-20 self-tapping screws (D) using a 3/8" socket wrench or #3 phillips screw driver.



Installation of Arm Plate to Adapter Plate

- 3** Hand thread five 10-32 self-tapping screws (E) into adapter plate leaving 1/8" of exposed thread as shown in detail 1 using a #2 phillips screwdriver. Hook arm plate (provided with projector arm) onto keyhole slots of screws and secure using two 10-32 self-tapping screws (E) as shown using a #2 phillips screwdriver. Tighten all fasteners.

NOTE: See figure 3.1 mounting hole pattern for SMART UX60.

Refer to SMART 600i or SMART UX60 instruction manual for complete installation.

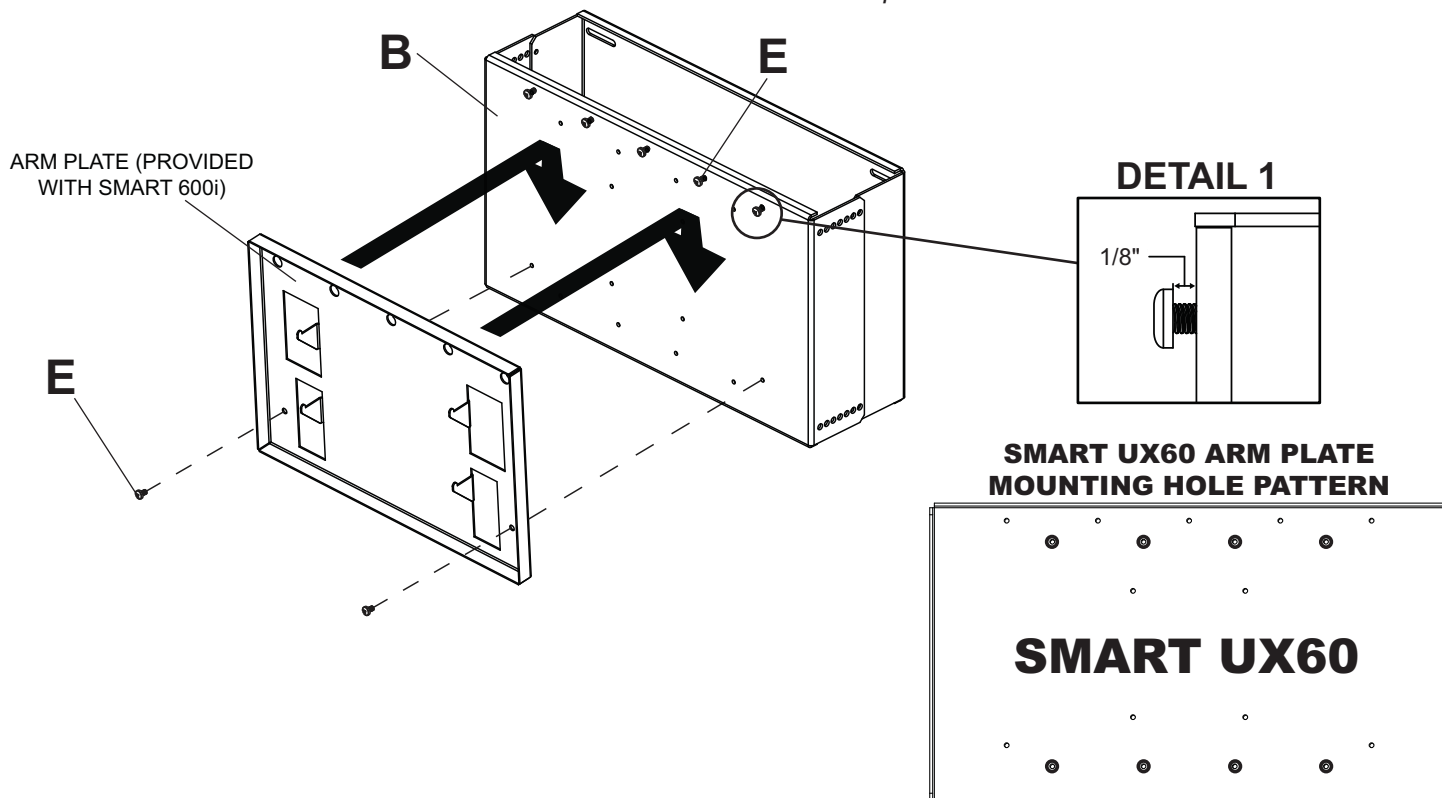


fig 3.1

Installation of A100WALLARM2

- Secure A100WALLARM2 wall plate to adapter plate (**B**) using four 10-32 self-tapping screws (**E**) as shown using a #2 phillips screwdriver.

Refer to A100WALLARM2 instruction manual for complete installation.

