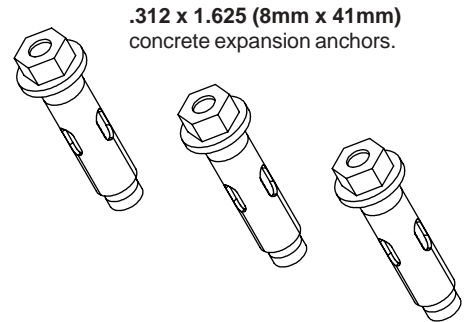


Concrete Fastener Kit

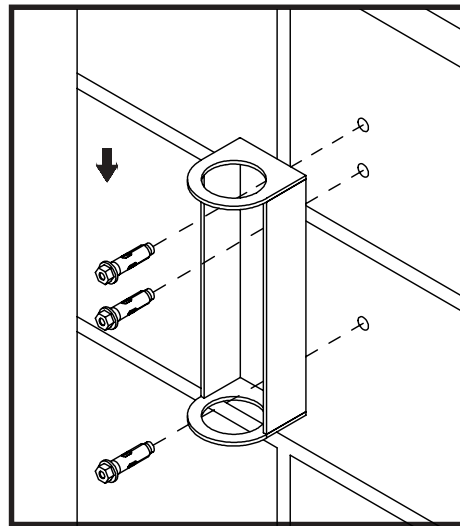
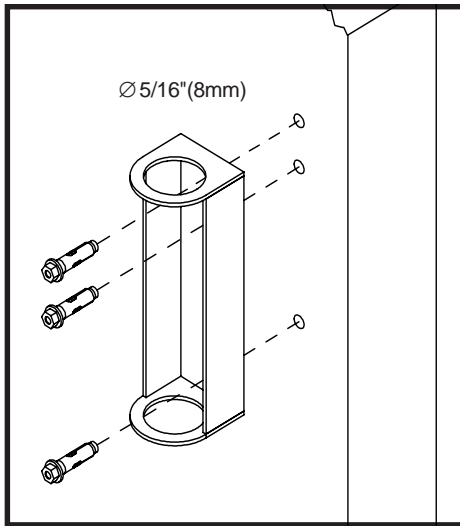
For attachment to concrete, brick or concrete block. Kit is used with wall and ceiling mounts. See specific models for compatibility.

Kit ACC200 includes 2 anchors	*Shipping Weight .2 lb (.1 kg)
Kit ACC205 includes 3 anchors	*Shipping Weight .2 lb (.1 kg)
Kit ACC210 includes 4 anchors	*Shipping Weight .2 lb (.1 kg)

**Shipping weight based on single unit shipment.
Per unit shipping weight may be less for bulk orders.*



Examples of usage:



ARCHITECTS SPECIFICATIONS

The concrete fastener kit shall be a Peerless model ACC200, ACC205 or ACC210 and shall be utilized where necessary for mount installation. Assembly and installation shall be done according to instructions provided by the manufacturer.

peerless[®]
Solid Solutions - Solid Support™

Peerless Industries, Inc. 3215 W. North Ave. Melrose Park, IL 60160
708-865-8870 800-865-2112 Fax 708-865-2941 www.peerlessindustries.com

TECHNICAL DATA SHEET

Concrete Fastener Kit

Sheet No. 120-9502-1 Issued: 8-14-03

page 1 of 1