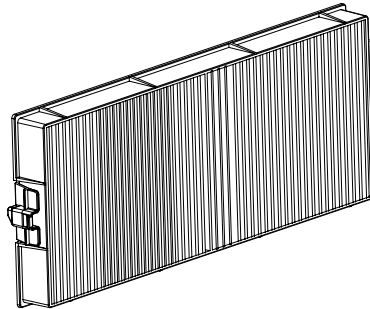


Panasonic®

Operating Instructions

Replacement Filter Unit Commercial Use

Model No. **ET-RFM100**



ENGLISH

Thank you for purchasing this Panasonic product.

- Please read these operating instructions and the projector operating instructions carefully, and then use this product correctly.
- **Before using this product, be sure to read “Read this first!” (➡Page 2).**
- Please save this manual for future use.

CAUTION:

Before replacing the filter, be sure to turn the power off and disconnect the power plug from the wall outlet.

- Failure to do so may result in electric shock.

Replacing the air filter unit

Before replacing the air filter unit

Attention

- Turn the main power off before replacing the air filter unit.
- Make sure that the projector is stable when attaching the air filter unit, and work in an environment that is safe, even in the event of the air filter unit dropping.

Replacing the air filter unit

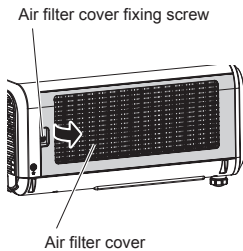


Fig. 1

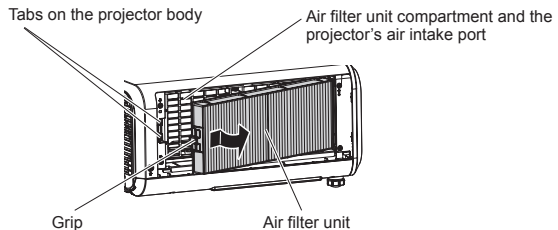


Fig. 2

1) Turn off the projector and disconnect the power plug from the wall outlet.

- When the power is to be turned off, be absolutely sure to follow the procedure described in "Switching off the projector" in the operating instructions of the projector.

2) Remove the air filter cover. (Fig. 1)

- Turn the air filter cover fixing screw (x 1) counterclockwise with a Phillips screwdriver until it turns freely, and remove the air filter cover by placing a finger in the depressed section and pull it out slowly in the direction of the arrow.
- When pulling out the air filter cover, make sure to place a hand on the air filter cover. Pulling it out too rapidly may cause the air filter cover to fall.

3) Pull out the air filter unit. (Fig. 2)

- Slightly push the grip of the air filter unit inward in the direction of the arrow, remove from the tabs on the projector body, and pull out the air filter unit.
- After pulling out the air filter unit, remove any foreign object and dust from the air filter unit compartment and the projector's air intake port.

Replacing the air filter unit (continued)

Attention

- Take care not to touch the air intake fan in the air filter unit compartment when removing dirt or dust.

4) Insert a new air filter unit (Replacement Filter Unit) in the projector.

- Attach the air filter unit in the reverse procedure of Step 3).
- Push in the air filter unit all the way in until it clicks.

5) Install the air filter cover on the projector and tighten the air filter cover fixing screw with a Phillips screwdriver.

- Close the air filter cover in the reverse procedure of Step 2), and press it in all the way until it clicks.
- Securely tighten the air filter cover fixing screw (x 1) using a Phillips screwdriver.

Attention

- Be sure to install the air filter unit before turning on the projector. Using the projector without the air filter unit will cause dirt and dust to accumulate inside the projector and could result in malfunction.
- If you operate the projector without the air filter unit attached, the <FILTER> indicator blinks red, and the message appears on the projection screen for about 30 seconds.
- Do not disassemble the air filter unit.
- Dispose of the packaging materials properly after unpacking the product.
- When discarding this product, please contact your local authorities or dealer and ask for the correct method of disposal.

Note

- The frequency with which the air filter unit needs to be changed depends significantly on the environment where the unit is used.
- For procedures on maintaining the air filter unit, refer to the operating instructions supplied with the projector.

Panasonic Corporation

Web Site : <https://panasonic.net/cns/projector/>
© Panasonic Corporation 2017

T11117NN0 -YI
Printed in Japan