

Ceiling mount bracket for low ceilings

**Description**

This ceiling mount bracket is to be used when mounting projectors to low ceilings.

**NOTE:** This ceiling mount bracket cannot be used by itself. Combine it with the optional bracket assembly.

**Specifications**

Vertical correction angle: +5°, -5°  
 Horizontal slant correction angle: ±5°  
 Horizontal turn correction angle: ±1.2°  
 Dimensions (W × H × D): 258 × 80 × 286 mm (10-5/32 × 3-5/32 × 11-1/4 inches)  
 Weight: 3 kg\* (6.6 lbs)\*  
 Applicable bracket assembly: ET-PKD120B/PKD120B/PKE300B

\* Average value. May differ depending on models.

Weights and dimensions shown are approximate. Specifications and appearance are subject to change without notice.

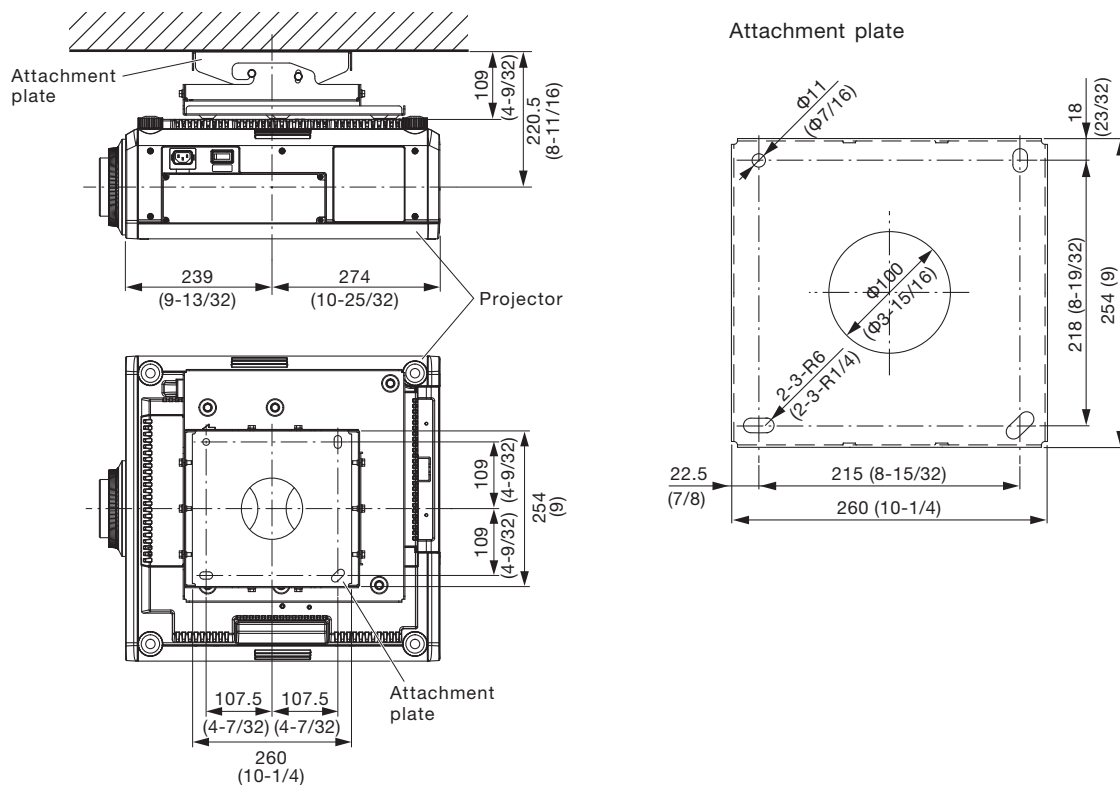
<b>Parts</b>	Attachment plate . . . . .	1	Washer-fitted screws (M6 × 16) . . . . .	10
	Projector mount bracket . . . . .	1		

**Caution:**

- Mounting should be done by a qualified technician.
- Make sure that the mounting (ceiling) area has sufficient strength.
- Read the enclosed mounting instructions thoroughly before starting.
- Do not use an electric screwdriver or impact driver to tighten screws. (Use a torque driver or similar tool.)
- When the product is no longer going to be used, have it disposed of quickly by a professional disposal service.

**Dimensions**

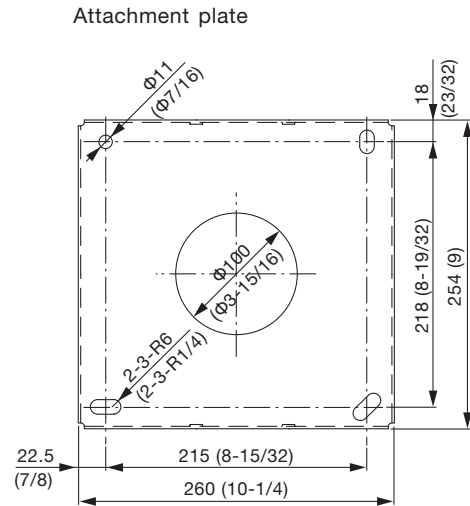
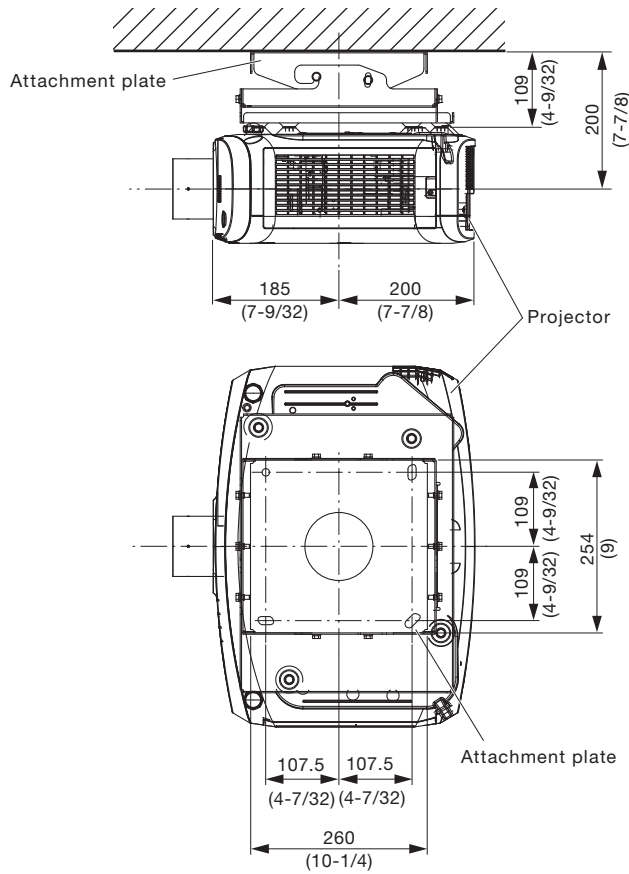
Illustration shows the bracket (ET-PKD130B attached to PT-DZ870/DZ870L/DW830/DW830L/DX100/DX100L.



unit : mm (inch)  
**NOTE:** This illustration is not drawn to scale.

Dimensions

Illustration shows the bracket (ET-PKE300B) attached to PT-EZ770Z/EZ770ZL/EW730Z/EW730ZL/EX800Z/EX800ZL and PT-EZ580/EZ580L/EW640/EW640L/EX610/EX610L/EW540L/EX510/EX510L.



unit : mm (inch)  
NOTE: This illustration is not drawn to scale.