

Zoom Lens

This zoom lens is designed for use with Panasonic's applicable projectors. The lens makes it possible to vary the projection distance by changing the focal distance.

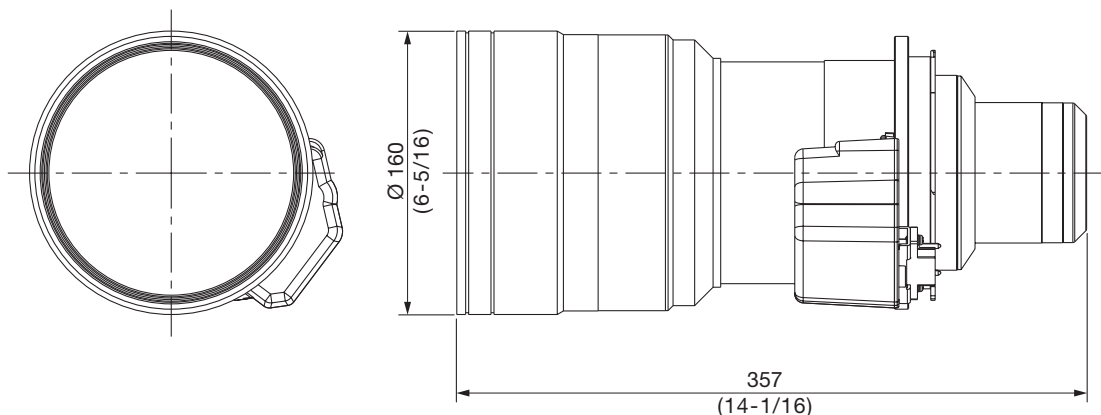
NOTE: Please use the lens only on the specified Panasonic projector.

Specifications

F value:	2.5
Focal distance (f):	19.6– 23.5 mm
Throw ratio:	0.991-1.18:1 for PT-RQ32K (16:10 aspect ratio) 0.924-1.10:1 for PT-RZ31K/RZ21K (16:10 aspect ratio) 1.01-1.19:1 for PT-RS30K/RS20K (4:3 aspect ratio)
Lens ID	Compatible models : PT-RQ32K/PT-RZ31K/PT-RS30K/PT-RZ21K/PT-RS20K
Dimensions (W × H × D):	160 × 160 × 357 mm (6-5/16 × 6-5/16 × 14-1/16 inches)
Weight:	Approximately 8.7 kg* (19.2 lbs*)
Applicable projector	[Group A] PT-RZ21K/RS20K [Group B] PT-RZ31K/RS30K PT-RQ32K

*Average value. May differ depending on the actual unit.
The throw ratio is an approximate value calculated by dividing the screen width by the projection distance.

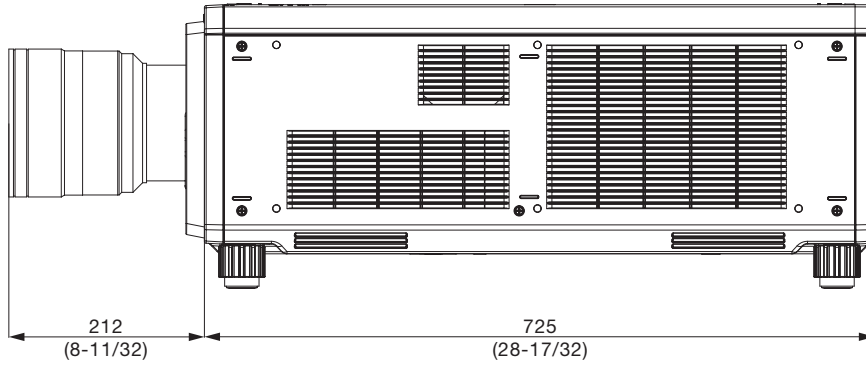
Dimensions



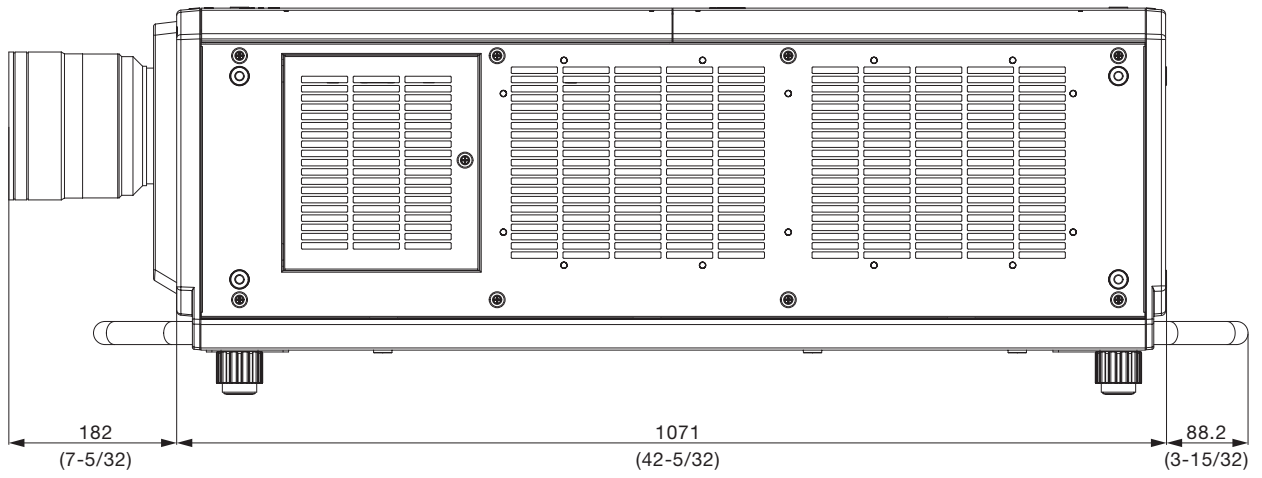
unit : mm (inch)
NOTE: This illustration is not drawn to scale.

NOTE: Please read the projector's instruction manual for throw distances.
Weights and dimensions shown are approximate. Specifications subject to change without notice.

[Group A]



[Group B]



unit : mm (inch)
NOTE: This illustration is not drawn to scale.

NOTE: Please read the projector's instruction manual for throw distances.
Weights and dimensions shown are approximate. Specifications subject to change without notice.