

norpole

120 lb. Undercounter Ice Maker ♦ NPCIM120H



Standard Features

- ♦ Included in-line water filter
- ♦ Air-cooled condenser with removable filter
- ♦ Automatic ice making and error-detecting control system
- ♦ Auto shut-off with full bin indication
- ♦ Adjustable ice thickness
- ♦ Easy clean function
- ♦ Included leveling legs

Plug Type:
(NEMA) 5-15P



Technical Specifications

Product Classification	Undercounter Ice Maker
Climate Class	N
Number of Doors	1
External Cabinet Material	201 Stainless Steel
Type of Refrigeration Agent	R-290
Interior Light	Yes

Capacity

Ice Making Capacity	120 lbs. / day
Bin Capacity	40 lbs.

Dimensions

External Width	19.7 in
External Depth	23.2 in
External Height	33.5 in
Shipping Dimensions (W x D x H)	22.8 x 26.4 x 32.9 in

Weight

Gross Weight	110.2 lbs.
--------------	------------

Accessories

Drain Type	Gravity
Ice Scooper	Included
Ice Shape	Half Cube

Certified Safety Standard

- ♦ ETL Listed
- ♦ ETL Sanitation Listed



Warranty Information

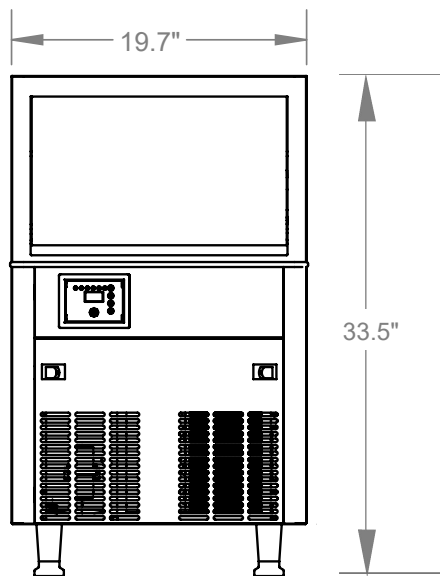
- ♦ 5 Years Compressor
- ♦ 1 Year Parts & Labor



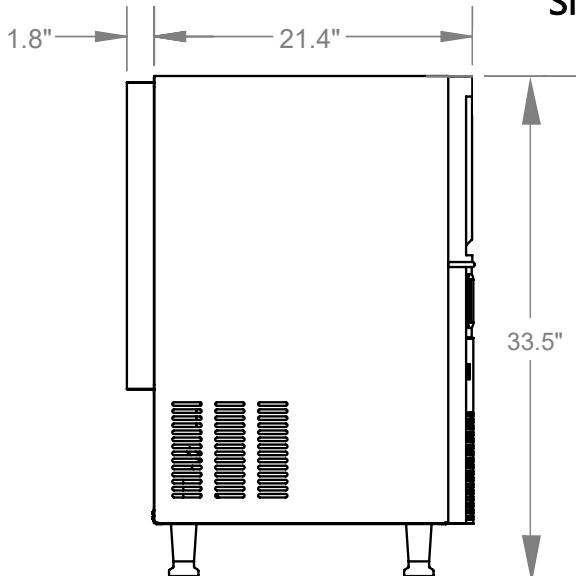


120 lb. Undercounter Ice Maker ♦ NPCIM120H

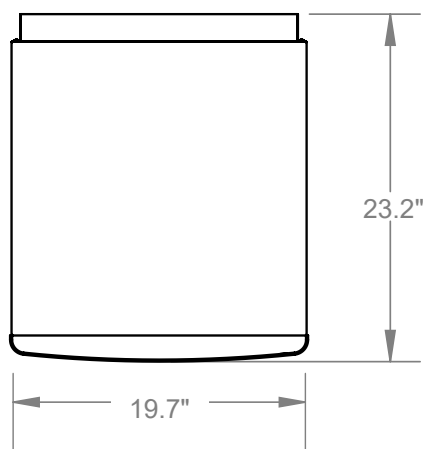
Front



Side



Top



Plug Type:
(NEMA) 5-15P

