



3 Solid Door Reach-In Refrigerator ♦ NP3R



Standard Features

- ♦ Stainless steel series 430 exterior
- ♦ Stainless steel series 304 interior
- ♦ Stucco aluminum back panel
- ♦ Self closing hinged doors with 90 degree stay open feature
- ♦ Bottom mounted compressor
- ♦ Optional 3-inch legs
- ♦ LED digital temperature display
- ♦ PVC coated adjustable wire shelves
- ♦ Interior lighting
- ♦ Self contained system, simple plug installation
- ♦ Heavy-duty castor wheels

Technical Specifications

Product Classification	Refrigerator
Climate Class	N
Number of Doors	3
External Cabinet Material	430 Stainless Steel
Internal Cabinet Material	304 Stainless Steel
Type of Refrigeration Agent	R-290
Type of Temperature Control	Digital
Temperature Range °C	0°C to 5°C
Temperature Range °F	32°F to 41°F
Voltage / Frequency	115V / 60Hz
Amp	9.0
Compressor HP	3/4+ HP
Type of Insulation	2.5-Inch Polyurethane Foam
Door Handle	Full Length

Certified Safety Standard

- ♦ ETL Listed
- ♦ ETL Sanitation Listed



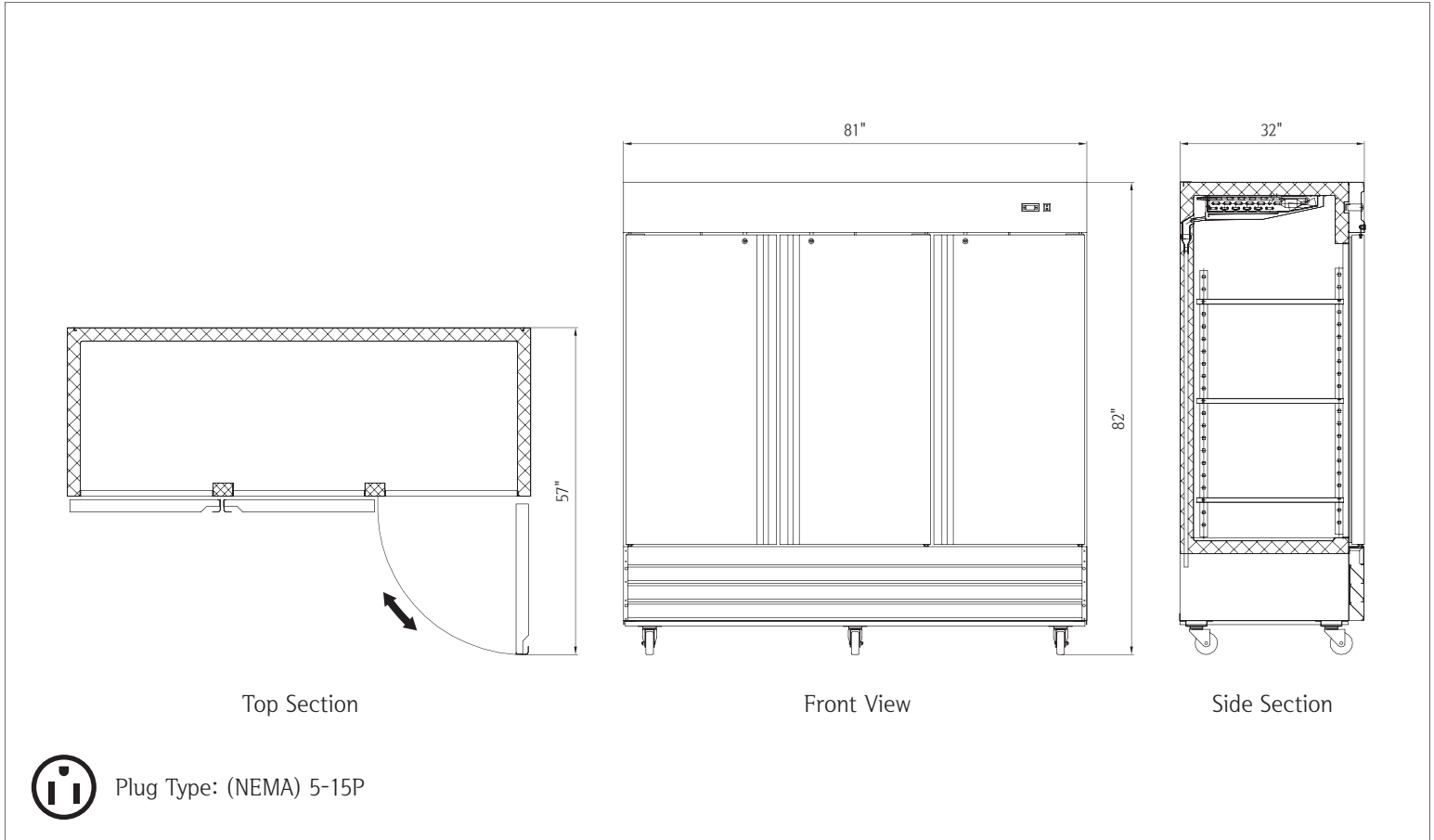
Warranty Information

- ♦ 5 Years Compressor
- ♦ 3 Year Parts & Labor





3 Solid Door Reach-In Refrigerator ♦ NP3R



Capacity

Capacity 72 cu. ft.

Dimensions

Internal Cabinet Width 76 in

Internal Cabinet Depth 27 in

Internal Cabinet Height 60 in

External Width 81 in

External Depth 32 in

External Height 82 in

Shipping Dimensions (W x D x H) 83 x 34 x 84 in

Weight

Gross Weight 690 lbs.

Accessories

Frost Free Yes

Adjustable Shelves 9

Fixed Shelves No

Internal Light Yes

Internal Light Switch No

External Light Switch No

Self Closing Door/Lid Yes

Door Holder for Loading Yes

Door/Lid Lock Yes

Reversible (Left) Door Yes

Adjustable Feet Optional

Adjustable Thermostat Yes