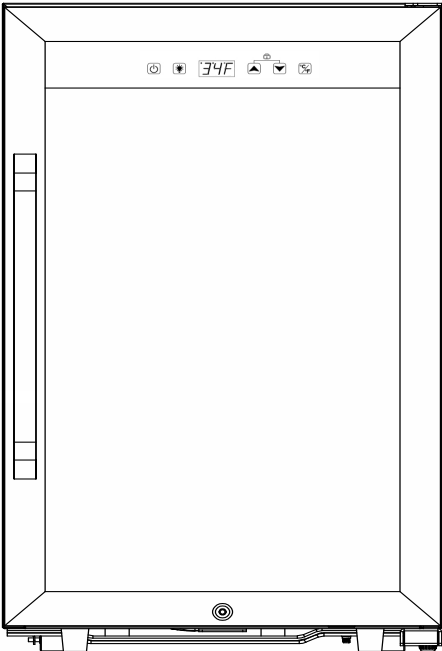
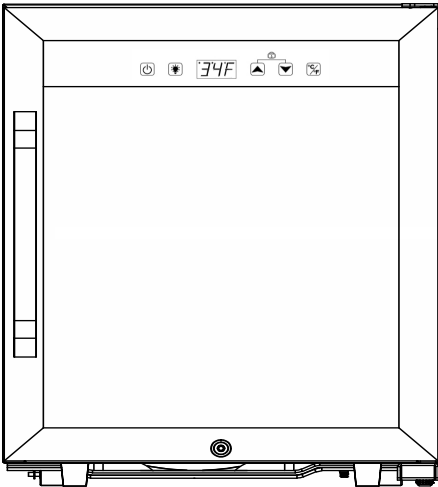




2.1 & 3.1 Cu. Ft. Commercial Countertop Merchandiser

User's Manual



Models: MCCM21ST / MCCM31ST

**PLEASE READ THIS MANUAL CAREFULLY BEFORE USING YOUR
COMPACT DRYER AND KEEP IT FOR FUTURE REFERENCE.**



PRODUCT REGISTRATION

Thank you for purchasing a Magic Chef® product. The first step to protect your new product is to complete the product registration on our website: www.mcappliance.com/register. The benefits of registering your product include the following:

1. Registering your product will allow us to contact you regarding a safety notification or product update.
2. Registering your product will allow for more efficient warranty service processing when warranty service is required.
3. Registering your product could act as your proof of purchase in the event of insurance loss.

Once again, thank you for purchasing a Magic Chef® product.

CONTENTS

PRODUCT REGISTRATION.....	2
PRECAUTIONS.....	4
IMPORTANT SAFETY INSTRUCTIONS.....	5
SPECIFICATIONS	7
PARTS AND FEATURES.....	8
INSTALLATION INSTRUCTIONS.....	9
OPERATION INSTRUCTIONS	11
CARE AND MAINTENANCE.....	13
TROUBLESHOOTING.....	14
WARRANTY.....	15

PRECAUTIONS

▲ WARNING: To reduce the risk of fire, electrical shock, or injury when using your merchandiser, follow these basic precautions.

- Read all instructions before using the merchandiser.
- **▲ CAUTION, ▲ WARNING, or ▲ DANGER** symbol: Risk of damage to product or surroundings, or risk of personal harm or injury.
- NEVER clean merchandiser parts with flammable fluids. The fumes can create a fire hazard or explosion.
- DO NOT store or use gasoline or any other flammable vapors and liquids in the vicinity of this or any other merchandiser. The fumes can create a fire hazard or an explosion.

IMPORTANT SAFETY INSTRUCTIONS

▲ WARNING: To reduce the risk of fire, electrical shock, or injury follow these basic precautions when using your merchandiser.

▲ WARNING: Keep ventilation openings, in the appliance enclosure or in the built-in structure, clear of obstruction.

▲ WARNING: DO NOT use mechanical devices or other means to accelerate the defrosting process, other than those recommended by the manufacturer.

▲ WARNING: DO NOT damage the refrigerant tubing as it will increase the risk of a leak when handling, moving, and using the merchandiser.

▲ WARNING: DO NOT use electrical appliances inside the food storage compartments of the appliance, unless they are of the type recommended by the manufacturer.

▲ DANGER: NEVER allow children to play with, operate, or crawl inside the merchandiser for risk of child entrapment. Risk of child entrapment. Before you throw away your old merchandiser:

- Take off the doors.
- Leave the shelves in place so that children may not easily climb inside.

1. The appliance has to be unplugged before carrying out user maintenance on the appliance.
2. This appliance can be used by children age 8 years and above and people with reduced physical sensory or mental capabilities or lack of experience and knowledge if they have been given supervision or instruction concerning use of the appliance in a safe way and understand the hazards involved. Children should not play with the appliance. Cleaning and maintenance should not be made by children without supervision.
3. If the component part is damaged, it must be replaced by the manufacturer, its service agent or similar qualified people in order to avoid a hazard.
4. Dispose the merchandiser according to local regulations, as the unit contains flammable blowing gas and refrigerant.
5. Follow local regulations regarding disposal of the appliance, due to flammable refrigerant and blowing gas. All refrigeration products contain refrigerants, which under the guidelines of federal law must be removed before disposal. It is the consumer's responsibility to comply with federal and local regulations when disposing of this product.
6. This appliance is intended to be used in commercial and similar environments, such as:
 - small kitchen areas in shops, marts, and other working environments;
 - farm houses and by clients in hotels, motels and other residential type environments;
 - bed and breakfast type environments;
 - catering and similar retail applications.
7. DO NOT store or use gasoline or any inflammable liquors and liquids inside or in the vicinity of merchandiser.
8. DO NOT use an extension cord with this appliance. If the power cord is too short, have a qualified electrician install an outlet near the appliance. Use of an extension can negatively affect the unit's performance.

▲ CAUTION: Risk of fire.

▲ WARNING: It is hazardous for anyone other than authorized service personnel to carry out services or repairs involving the removal of covers.

▲ DANGER: Risk of fire or explosion. Flammable refrigerant used. To be repaired only by trained service personnel. Do not puncture refrigerant tubing.

▲ WARNING: To avoid the risk of an electrical shock, DO NOT attempt repairs yourself.

▲ WARNING: This appliance is CFC- and HFC-free and contains small quantities of Isobutane (R600a) which is environmentally friendly, but flammable. It does not damage the ozone layer, nor does it increase the greenhouse effect. Care must be taken during transportation and setting up of the appliance that no parts of the cooling system are damaged. Leaking coolant can ignite and may damage the eyes.

In the event of any damage:

- Avoid open flames and anything that creates a spark,
- Disconnect from the electrical power line,
- Air the room in which the appliance is located for several minutes, and
- Contact the Service Department for advice.
- The more coolant there is in an appliance, the larger the room it should be installed in. In the event of a leakage, if the appliance is in a small room, there is the danger of combustible gases building up. For every ounce of coolant at least 325 cubic feet of room space is required. The amount of coolant in the appliance is stated on the data plate on the back of the appliance. It is hazardous for anyone other than an Authorized Service Person to carry out servicing or repairs to this appliance.
- Take serious care when handling, moving, and using the appliance to avoid either damaging the refrigerant tubing or increasing the risk of a leak.
- Replacing component parts and servicing shall be done by factory authorized service personnel so as to minimize the risk of possible ignition due to incorrect parts or improper service.

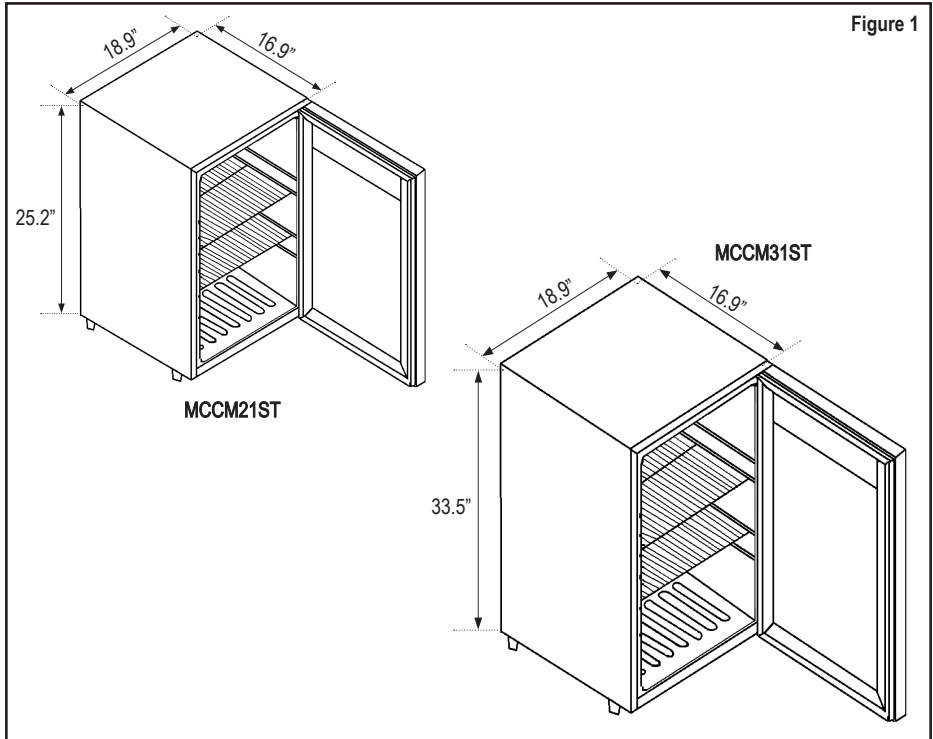
▲ WARNING: Risk of Child Entrapment

To avoid the possibility of child entrapment, please take the following precautions before throwing out the merchandiser.

- Remove all doors from the unit.
- Leave the shelves in place so that children may not easily climb inside.
- NEVER allow children to operate, play with, or crawl inside the merchandiser.

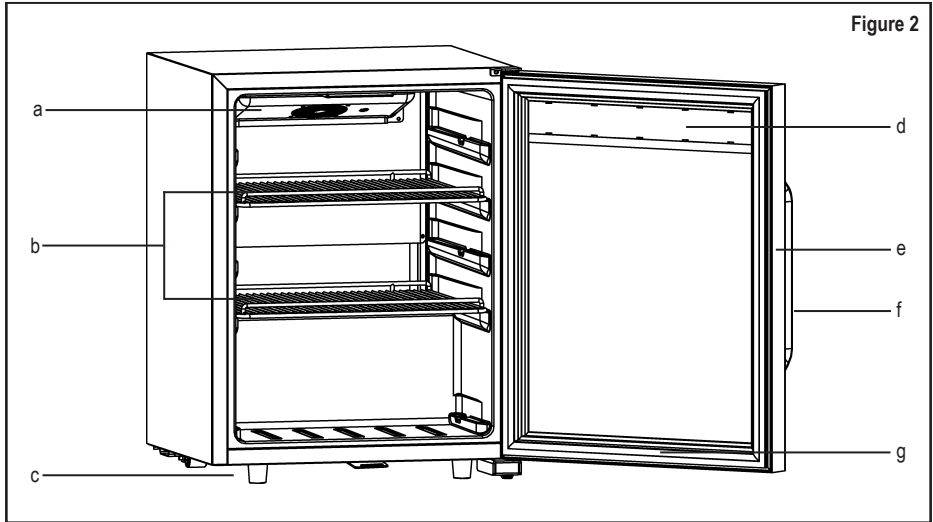
SPECIFICATIONS

Figure 1

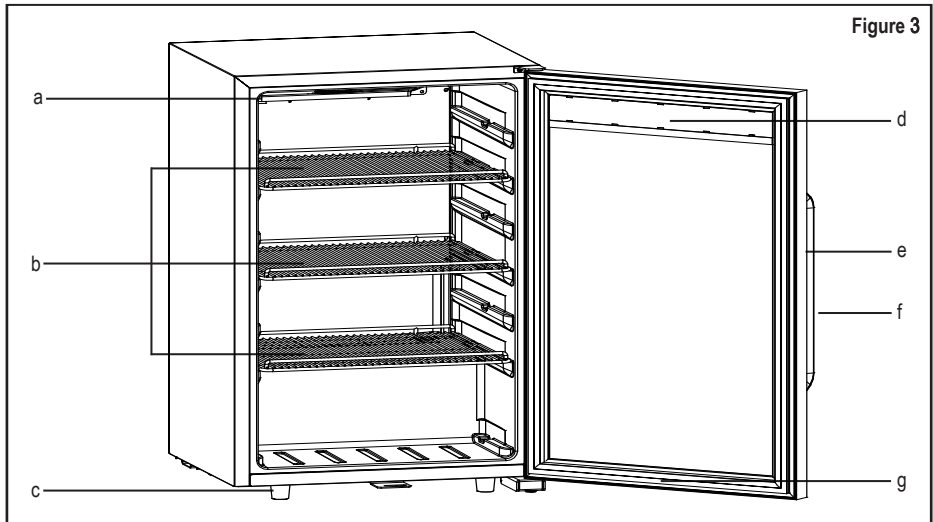


Model	MCCM21ST	MCCM31ST
Width	18.9"	18.9"
Height	25.2"	33.5"
Depth	16.9"	16.9"
Net Weight	50.7 lbs.	61 lbs.
Capacity	2.1 Cu. Ft.	3.1 Cu. Ft.
Power Consumption	0.64 kW.h/24h	0.74 kW.h/24h
Refrigerant	R600a	R600a
Climatic Class	SN/ST/N	SN/ST/N

PARTS IDENTIFICATION



- a. Interior Light
- b. Shelves
- c. Leveling Legs
- d. Control Panel
- e. Door
- f. Door Handle
- g. Security Lock



- a. Interior Light
- b. Shelves
- c. Leveling Legs
- d. Control Panel
- e. Door
- f. Door Handle
- g. Security Lock

INSTALLATION INSTRUCTIONS

BEFORE USING YOUR MERCHANDISER

- Remove the exterior and interior packaging.
- Before connecting the merchandiser to the power source, let it stand upright for approximately 4 hours. This will reduce the possibility of a malfunction in the cooling system from improper handling during transportation.
- Clean the interior surface with lukewarm water, using a soft cloth. (Refer to Cleaning Your Merchandiser on page 11.)

INSTALLING YOUR MERCHANDISER

- This appliance is designed to be free standing only, and should not be recessed or built-in.
- Place your merchandiser on a floor that is strong enough to support the merchandiser when it is fully loaded.
- Allow 5 inches (127 mm) of space between the back and sides of the merchandiser, which allows the proper air ventilation. Adjust the feet to keep the merchandiser level.
- Locate the merchandiser away from direct sunlight and sources of heat (stove, heater, radiator, etc.). Direct sunlight may affect the acrylic coating and heat sources may increase electrical consumption. Ambient temperature below 60°F or above 77°F will hinder the performance of this appliance. This unit is not designed for use in a garage or any other outside installation.
- Avoid installing the merchandiser in moist areas.
- Plug the merchandiser into dedicated, properly installed-grounded wall outlet. DO NOT under any circumstances cut or remove the third (ground) prong from the power cord. Any questions concerning power and/or grounding should be directed toward a certified electrician or an authorized service center. This unit is not designed to be installed in an RV or used with an inverter.
- After plugging the appliance into a wall outlet, turn the unit on and allow the unit to cool down for 2~3 hours before placing food in the merchandiser.

ELECTRICAL CONNECTION

▲ WARNING: Improper use of the grounding plug can result in the risk of electrical shock. If the power cord is damaged, have it replaced by an authorized service center.

- This merchandiser should be properly grounded for your safety. The power cord of this merchandiser is equipped with a three-prong plug which mates with standard three prong wall outlets to minimize the possibility of electrical shock.
- DO NOT, under any circumstance, cut or remove the third ground prong from the power cord supplied.
- This merchandiser requires a standard 115V~ / 60Hz electrical outlet with three-prong ground.
- This merchandiser is not designed to be used with an inverter.
- The cord should be secured behind the merchandiser and not left exposed or dangling to prevent accidental injury.
- NEVER unplug the merchandiser by pulling the power cord. ALWAYS grip the plug firmly and pull straight out from the receptacle.

- DO NOT use an extension cord with this appliance. If the power cord is too short, have a qualified electrician or service technician install an outlet near the appliance. Use of an extension cord can negatively affect the performance of the unit.
- If any problems with the appliance persist, please contact our Customer Service Department to consult with a representative at 866-789-0202 or visit our website to request warranty service at www.mcappliance.com.

▲ DANGER: Risk of fire or explosion. Flammable refrigerant used. To be repaired only by trained service personnel. DO NOT puncture refrigerant tubing.

▲ CAUTION: Risk of fire or explosion. Flammable refrigerant used. Consult repair manual/owner's guide before attempting to service this product. All safety precautions must be followed.

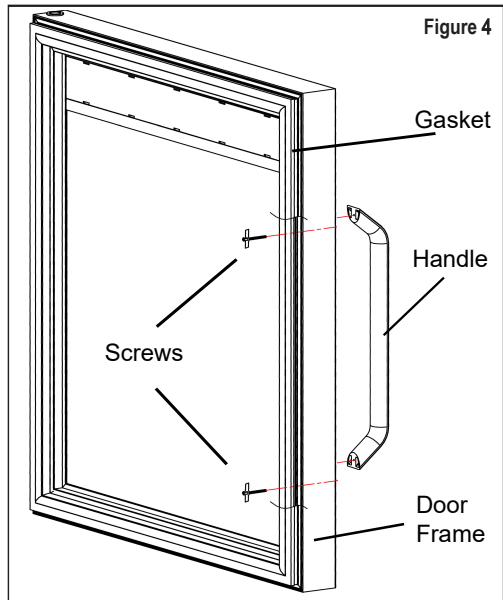
▲ CAUTION: Risk of fire or explosion. Dispose of property in accordance with federal or local regulations. Flammable refrigerant used.

▲ CAUTION: Risk of fire or explosion due to puncture of refrigerant tubing; follow handling instructions carefully. Flammable refrigerant used.

HANDLE INSTALLATION

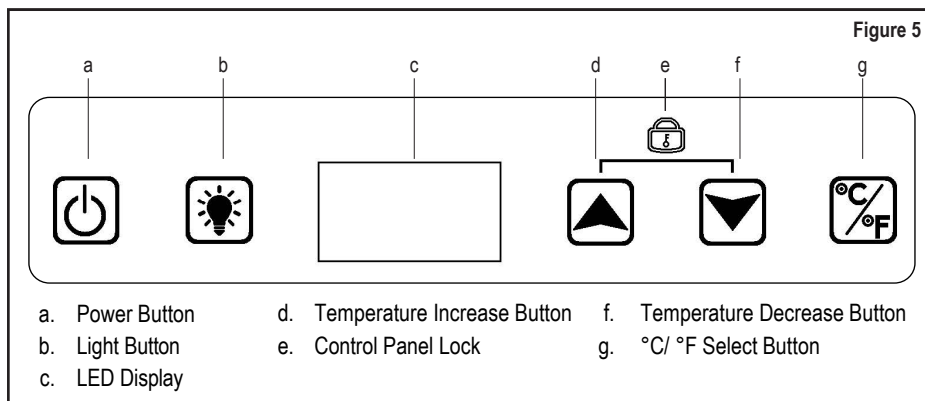
This unit requires the handle to be installed on the glass door prior to use. If your refrigerator does not have a handle on it, you will need to perform the following steps to install the handle:

1. Remove the handle from the packaging material.
2. Carefully pull out the door gasket on the side on which you want to install the door handle.
3. Use the included screws and flat washers to attach the handle to the door.
4. Carefully push the gasket back into place.



OPERATION INSTRUCTIONS

CONTROL PANEL OPERATION



It is recommended you install the appliance in a place where the ambient temperature is between 72° and 78°F (23°-26°C). If the ambient temperature is above or below the recommended temperatures, the performance of the unit may be affected. For example, placing your unit in extremely cold or hot conditions may cause interior temperatures to fluctuate. The range of 34-43°F (1-6°C) may not be reached.

OPERATING THE MERCHANDISER

1. Press the "⏻" (Power) button for 3 seconds to turn the unit On or Off.
2. Press the "▲" (Increase Temp) or the "▼" (Decrease Temp) button to set the desired temperature. Each press will change the temperature setting by 1 degree.
3. Press the "💡" button to turn the light On or Off.
4. Press the "°C/°F" button to cycle between degrees Fahrenheit and degrees Celsius.

All controls will lock after if no button is pressed for 5 seconds. To unlock, press the "▲" (Increase Temp) or the "▼" (Decrease Temp) buttons simultaneously for 3 seconds to unlock.

NOTE: If the unit is unplugged or turned off, or power is lost, you must wait 3-5 minutes before restarting the unit. If you attempt to restart before this time delay, the unit will not start.

NOTE: When you use the unit for the first time or restart the unit after it has been shut off for a long time, there could be a few degrees variance between the temperature you select and the one indicated on the LED readout. This is normal and is due to the length of the activation time. There should not be a problem once the unit has been running for a few hours.

DOOR LOCK

Your merchandiser comes with a security door lock and keys. Insert the key into the lock and turn it in a counterclockwise direction to unlock the door, and in a clockwise direction to lock the door. Ensure that the supplied keys are stored in a safe place.

DEFROSTING

This appliance requires no manual defrosting. During the operation of the compressor, ice will build up on the evaporator plate which is at the back of inner cabinet. During the compressor's off-cycle, the ice will melt, drip down, and collect in a tray above the compressor, where the compressor's heat evaporates the water. If you notice excessive ice build-up on the evaporator, try setting the temperature slightly higher and be sure that the door gasket is sealing well.

SHELVES

The unit has removable, metal wire shelves. Be sure to remove any contents before changing the position of a shelf or removing it. To remove, raise the back of the shelf slightly and pull the shelf out.

CARE AND MAINTENANCE

CLEANING YOUR MERCHANDISER

- Turn off the power, unplug the appliance, and remove all items, including shelves.
- Wash the inside surfaces with a solution of warm water and baking soda (about 2 tablespoons of baking soda to a quart of water). Wash the shelves with a mild detergent solution.
- Wring excess water out of the sponge or cloth when cleaning the area where the controls are located, or any electrical parts.
- Wash the outside cabinet with warm water and mild liquid detergent. Rinse well and wipe dry with a clean soft cloth.
- DO NOT use steel wool or a steel brush on the stainless steel.

POWER FAILURE

Most power failures are corrected within a few hours and should not affect the temperature of your appliance if you minimize the number of times the door is opened. If the power is going to be off for a longer period of time, you need to take the proper steps to protect the contents.

VACATION TIME

- **Short vacations:** Leave the appliance operating during vacations of less than three weeks.
- **Long vacations:** If the appliance will not be used for several months, remove all items and turn off the appliance. Clean and dry the interior thoroughly. To prevent odor and mold growth, leave the door open slightly, blocking it open if necessary.

MOVING YOUR MERCHANDISER

- Remove all items stored in the unit.
- Securely all items. Tape down all loose items (shelves) inside your appliance.
- Turn the adjustable legs up to the base of the unit to avoid damage.
- Securely tape the door shut.
- Protect the outside of the appliance with a blanket or similar item and be sure the it remains secure in the upright position during transportation.

ENERGY SAVING TIPS

- The merchandiser should be located in the coolest area of the room, away from heat producing appliances or heating ducts, and out of the direct sunlight.
- Let hot foods cool to room temperature before placing in the merchandiser. Overloading the merchandiser forces the compressor to run longer. Foods that freeze too slowly may lose quality or spoil.
- Ensure that the unit is adequately ventilated.
- Do not keep the door open any longer than necessary. Organize and label food to reduce door openings and extended searches. Remove as many items as needed at one time, and close the door as soon as possible.

TROUBLESHOOTING

You can solve many common merchandiser problems easily, saving you the cost of a possible service call. Try the suggestions below to see if you can solve the problem before calling for service.

PROBLEM	POSSIBLE CAUSE/SOLUTION
Appliance is not running	<ul style="list-style-type: none"> • Unit is not plugged in. • Unit is not turned on. • Improper voltage to outlet. • Circuit breaker or fuse is blown.
Appliance is not cold enough	<ul style="list-style-type: none"> • Temperature control setting not properly set. • Ambient temperature is beyond appliance operating temperature. • Door is opened too frequently. • Door is not closed or sealing properly. • Insufficient space around the appliance.
Compressor starts and stops frequently	<ul style="list-style-type: none"> • External temperature is too high. • A large quantity of items has been placed in the unit. • Unit is opened frequently. • Door is not properly closed. • Temperature control has not been properly set.
LED lights do not operate	<ul style="list-style-type: none"> • Appliance is not plugged in. • Fuse has blown. • LED lights are malfunctioning.
Unit vibrates	<ul style="list-style-type: none"> • The unit is not properly leveled.
Appliance makes a lot of noise	<ul style="list-style-type: none"> • Rattling noise may come from the flow of hte refrigerant, which is normal. • At the end of a cooling cycle, you may hear the noise of liquid circulating. • Expansion and contraction of the internal walls may cause a cracking noise. • Unit is not level. • Check if fan is in clean and working properly.
The door does not close properly	<ul style="list-style-type: none"> • The unit is not level. • Door seal is damaged or dirty. • Shelves are not positioned correctly. • Something placed in the unit is blocking the door from closing.



LIMITED WARRANTY

MC Appliance Corporation warrants each new Commercial Countertop Merchandiser to be free from defects in material and workmanship, and agrees to remedy any such defect or to furnish a new part(s), at the company's option, for any part(s) of the unit that has failed during the warranty period. Parts and labor expenses are covered on this unit for a period of one year from the date of purchase. A copy of the dated sales receipt or invoice is required to receive warranty service, replacement or refund.

In addition, MC Appliance Corporation warrants the compressor (parts only) to be free from defects in material and workmanship for a period of five years. The consumer is responsible for all labor and transportation expenses related to the diagnosis and replacement of the compressor after the initial one-year warranty expires. In the event the unit requires replacement or refund under the terms of this warranty, the consumer is responsible for all transportation expenses to return the unit to our factory prior to receiving a replacement unit or refund. A copy of the dated sales receipt/invoice is required to receive warranty service, replacement or refund.

This warranty covers appliances in use within the contiguous United States. This warranty does not cover the following:

- Damages due to shipping damage or improper installation.
- Damages due to misuse or abuse.
- Content losses due to failure of the unit.
- Inside components such as door panels, door shelves, racks, light bulbs, etc.
- Repairs performed by unauthorized service agents.
- Service calls that do not involve defects in material and workmanship such as instructions on proper use of the product or improper installation.
- Replacement or resetting of house fuses or circuit breakers.
- Failure of this product if used for other purposes than its intended purpose.
- Disposal costs for any failed unit not returned to our factory.
- Any delivery/installation costs incurred as the result of a unit that fails to perform as specified.
- Expenses for travel and transportation for product service if your appliance is located in a remote area where service by an authorized service technician is not available.
- The removal and reinstallation of your appliance if it is installed in an inaccessible location or is not installed in accordance with published installation instructions.
- Refunds for non repairable products are limited to the price paid for the unit per the sales receipt.
- This warranty is non transferable. This warranty applies only to the original purchaser and does not extend to any subsequent owner(s).

LIMITATIONS OF REMEDIES AND EXCLUSIONS

Product repair in accordance with the terms herein, is your sole and exclusive remedy under this limited warranty. Any and all implied warranties including merchantability and fitness for a particular purpose are hereby limited to one year or the shortest period allowed by law. MC Appliance Corporation is not liable for incidental or consequential damages and no representative or person is authorized to assume for us any other liability in connection with the sale of this product. Under no circumstances is the consumer permitted to return this unit to the factory without the prior written consent of MC Appliance Corporation.

Some states prohibit the exclusion or limitation of incidental or consequential damages, or limitations on implied warranties. This warranty gives you specific legal rights, and you may also have other rights which vary from state to state.

Model	Parts & Labor	Compressor (Part Only)	Type of Service
MCCM21ST	One-Year	Five Years	Carry In
MCCM31ST	One-Year	Five Years	Carry In

For Service or Assistance please call 888-775-0202 or visit us on the web at www.mcappliance.com to request warranty service or to order parts.



CNA International, Inc. d/b/a MC Appliance Corporation. All rights reserved. Magic Chef® is a registered trademark of CNA International, Inc.

www.mcappliance.com

Printed in China