



## 38-Inch Gas Convection Oven ♦ M38COD



### Standard Features

- ♦ 54,000 BTU output
- ♦ Easy to clean porcelainized interior
- ♦ 4 heavy duty chrome plated racks
- ♦ Direct fired gas inshot burners (3)
- ♦ Temperature adjustable from 167°F to 563°F
- ♦ Dual pane thermal glass windows and interior light
- ♦ 60 minute electric timer with bell
- ♦ Propane gas conversion kit included

### Exterior Features

- ♦ Stainless steel body and legs and galvanized sides
- ♦ 5" casters

### Certified Safety Standard

- ♦ ETL Certified
- ♦ ETL Sanitation Listed



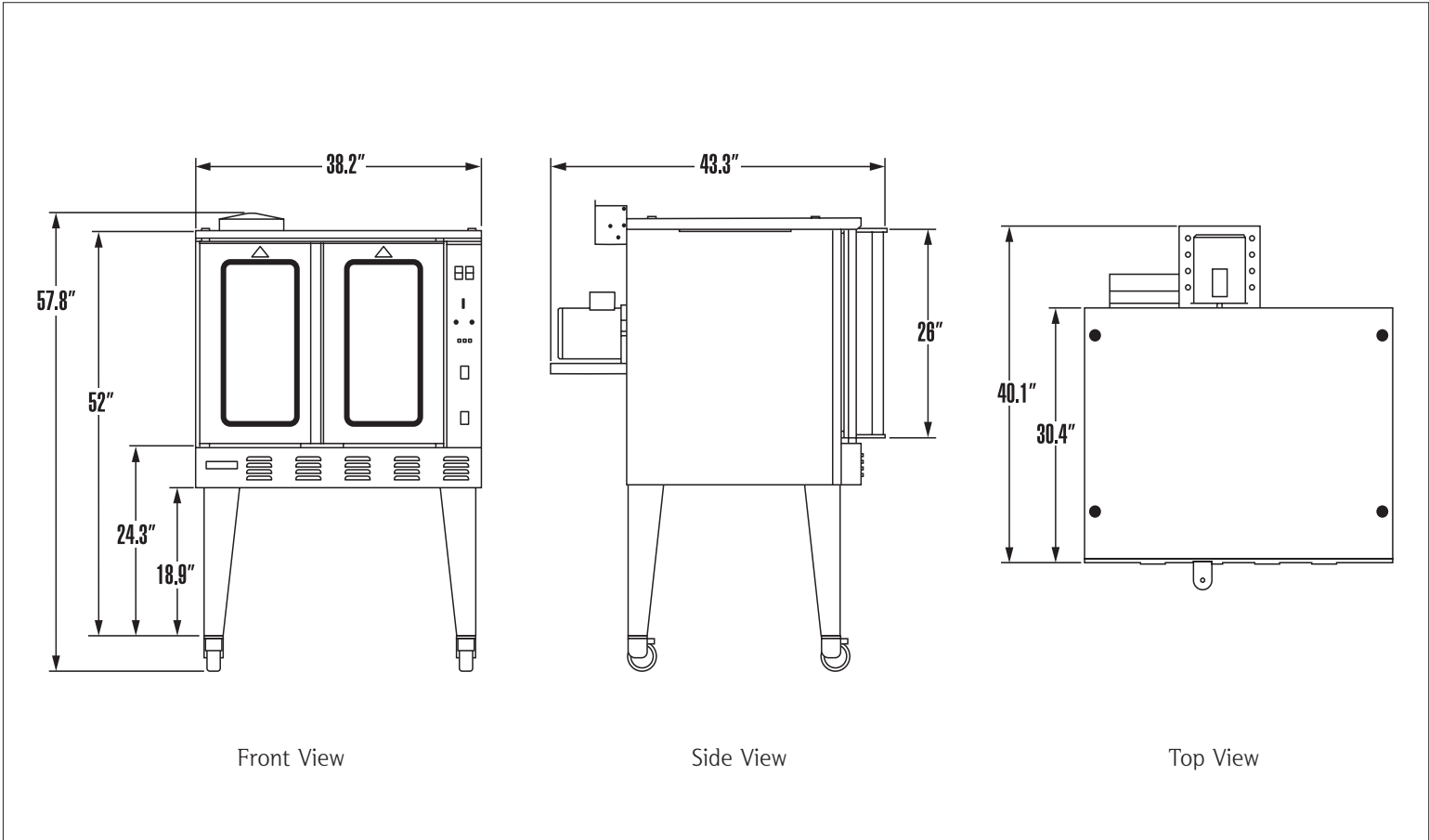
### Warranty Information

- ♦ One year on-site Parts and Labor





## 38-Inch Gas Convection Oven ♦ M38COD



Model		M38COD	Propane Conversion
Gas Output	BTU	54,000	54,000
	(KW)	15.8	15.8
Number of Burners		3	3
Shipping Weight (Lbs)		887.6	887.6
Manifold Pressure	Natural Gas	4" W.C.	-
	Propane Gas	-	10" W.C.
Manifold Size		3/4"	3/4"
Burner Orifice Size		47/2.00mm	55/1.25mm
Rack Dimensions		28.1" x 20.6"	28.1 x 20.6"
Dimensions (W x D x H)		38.2" x 40.1" x 57.8"	38.2" x 40.1" x 57.8"
Crated Dimensions (W x D x H)		46.5" x 42.1" x 41.3"	46.5" x 42.1" x 41.3"

**Clearance requirements:**

- For use only on non-combustible floors.
- Legs or casters are required for non-combustible floors.

Clearance requirements	Combustible Surfaces	Non-combustible Surfaces
Rear	6" ~ 8"	0"
Left	6" ~ 8"	0"
Right	6" ~ 8"	0"

**Options and accessories**