



36-Inch Gas Range ♦ M36GR



Standard Features

- ♦ 211,000 BTU output
- ♦ Heavy duty 12" x 12" cast iron grates
- ♦ Pull-out drip tray
- ♦ Standby S/S pilot for easy start
- ♦ Anti-clogging pilot cover under the grates
- ♦ Adjustable oven temperature from 250°F to 550°F
- ♦ Thermal coupling safety valve for the oven
- ♦ Stainless steel oven handle and door for better insulation
- ♦ Propane gas conversion kit included

Exterior Features

- ♦ Stainless steel front and galvanized sides
- ♦ 5" casters

Certified Safety Standard

- ♦ ETL Certified
- ♦ ETL Sanitation Listed



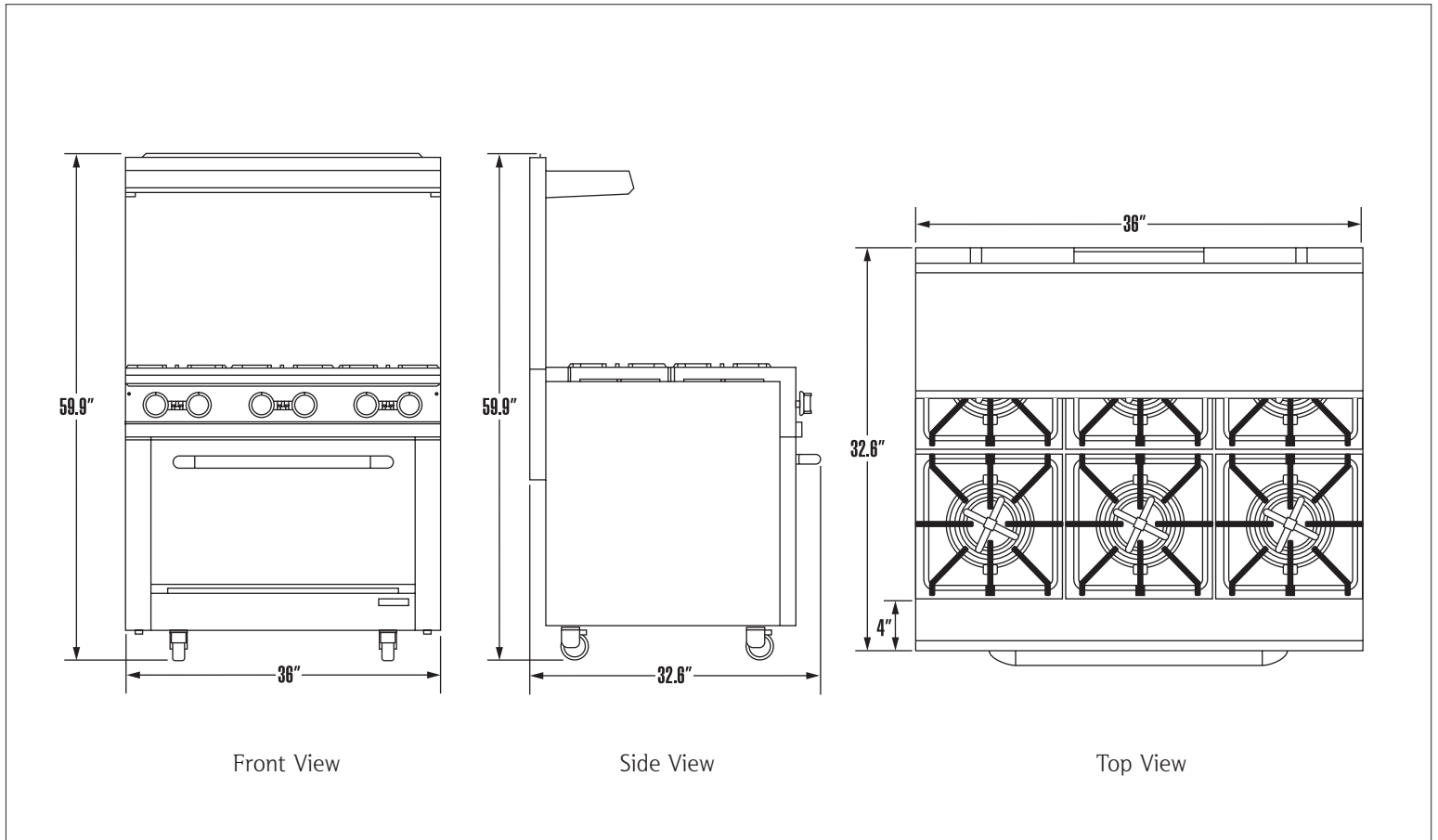
Warranty Information

- ♦ One year on-site Parts and Labor





36-Inch Gas Range ♦ M36GR



Front View

Side View

Top View

Model		M36GR	Propane Conversion
Gas Output	BTU	211,000	211,000
	(KW)	61.8	61.8
Number of Burners		6	6
Shipping Weight (Lbs)		810.0	810.0
Manifold Pressure	Natural Gas	4" W.C.	-
	Propane Gas	-	10" W.C.
Manifold Size		3/4"	3/4"
Burner Orifice Size		36 Range / 36 Oven	51 Range / 50 Oven
Rack Dimensions		25.4" x 23.5"	25.4" x 23.5"
Dimensions (W x D x H)		36.0" x 32.6" x 59.9"	36.0" x 32.6" x 59.9"
Crated Dimensions (W x D x H)		46.5" x 42.1" x 41.3"	46.5" x 42.1" x 41.3"

Clearance requirements:

- For use only on non-combustible floors.
- Legs or casters are required for non-combustible floors.

Clearance requirements	Combustible Surfaces	Non-combustible Surfaces
Rear	6" ~ 8"	0"
Left	6" ~ 8"	0"
Right	6" ~ 8"	0"

Options and accessories