

# UN Series Models Installation Manual

\* This manual contains the precautions that must be followed by the professionals in charge of the installation.  
Please be sure to read Setup manual and User's Manual.

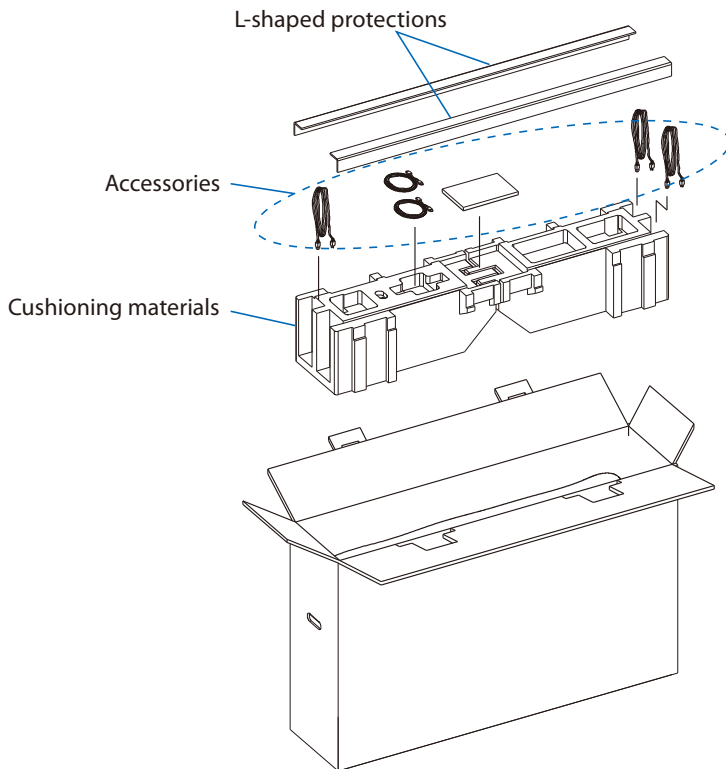
# Table of contents

---

1. Precautions when unpacking .....	3
2. Performances check before installation .....	5
3. Precautions when installing and moving the product .....	6
4. Display external dimensions tolerances.....	9
5. Allowable temperature and installation environment .....	10
6. Wall mount brackets installation .....	11
7. Display cushions.....	14
8. How to remove the protective tape.....	15
9. Multiple screens installation .....	17
10. Pins, spacers and spacer sheets .....	18
11. Compatibility of optional products.....	22
12. Installation procedure of options .....	23
13. When repacking and sending the product .....	24

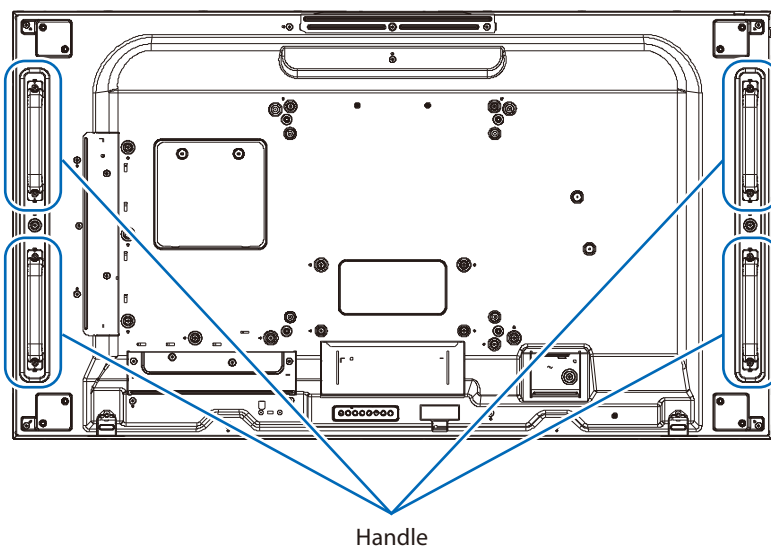
# 1. Precautions when unpacking

(1) Remove all the accessories from the package before removing the display.

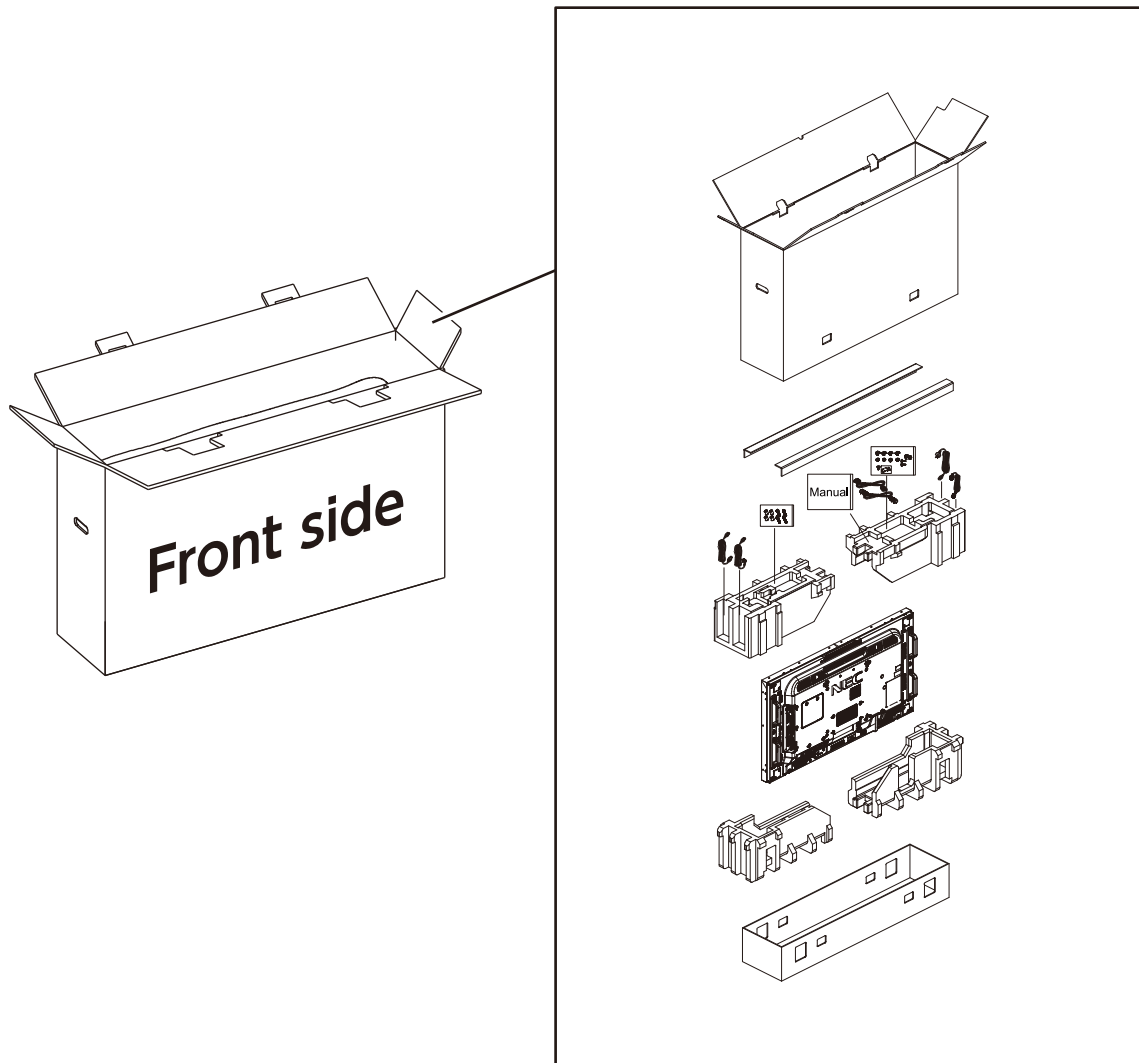


(2) Do not damage or dispose of the packing materials but keep them in case you need to pack the product again.

(3) Hold the display by the handle when removing it from the packing materials.

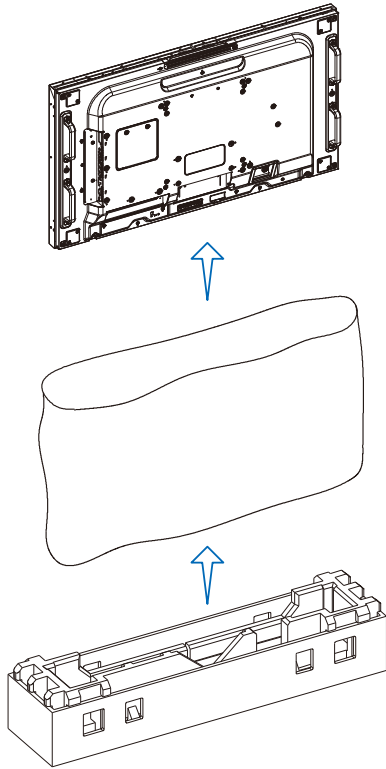


(4) When repacking the product, check the arrangement of the packing materials shown on the box.

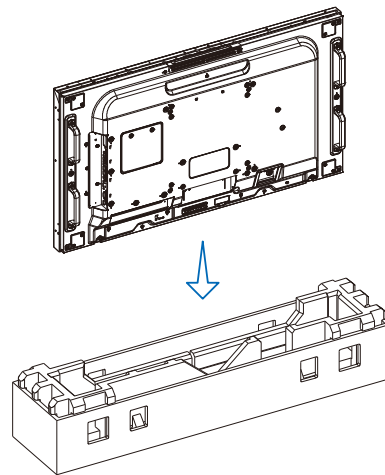


## 2. Performances check before installation

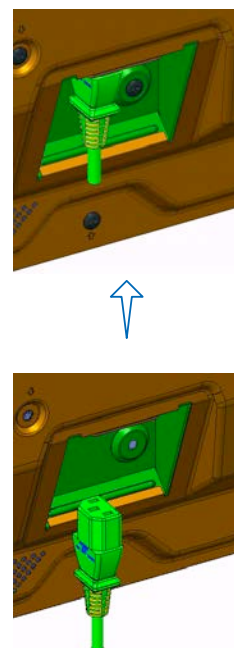
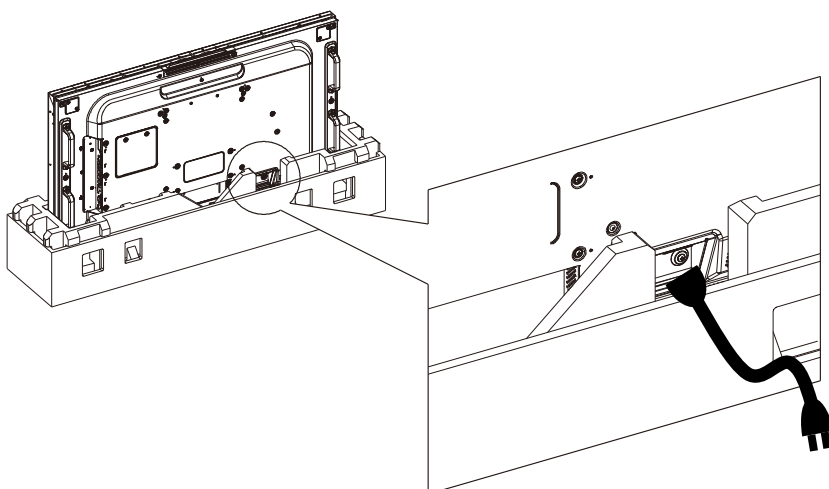
- (1) Remove the display from the cushioning materials and from the protective bag.



- (2) Put the display back in the cushioning materials.

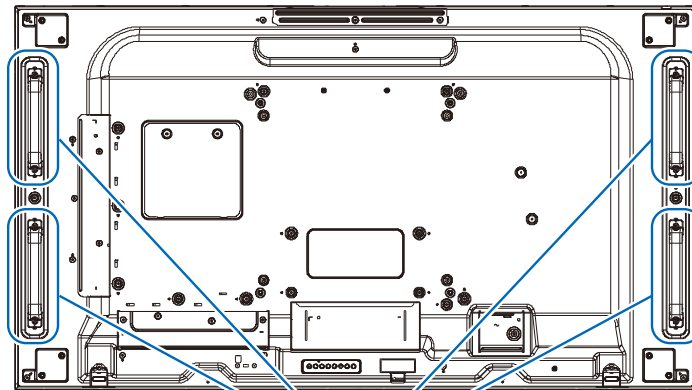


- (3) Connect the power cord to the display, while it stands vertically in the cushioning materials.  
Do not keep the display turned on for a long time in that position.



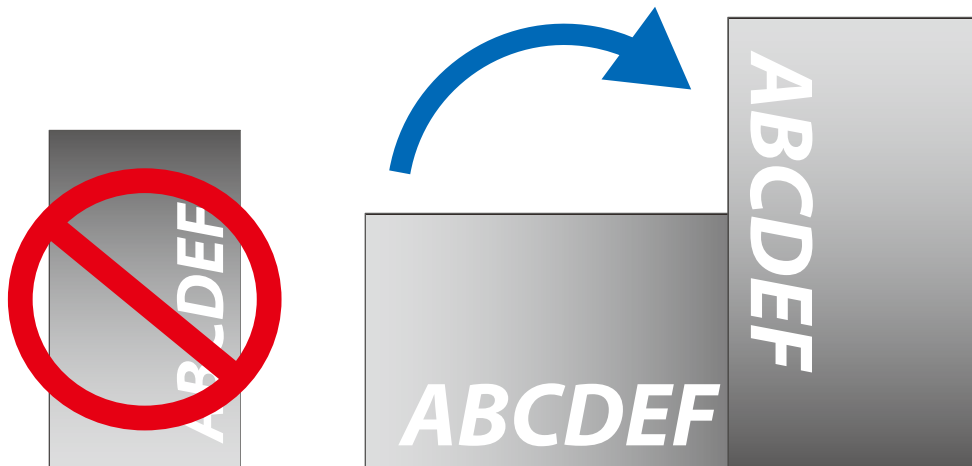
### 3. Precautions when installing and moving the product

- (1) When installing or moving the display, always keep it in the standing position, do not put it on its side or upside down. Always hold the display by the handles to move it.
- (2) Do not hold the display by a part other than the handles.
- (3) The display must be carried by at least 2 people.

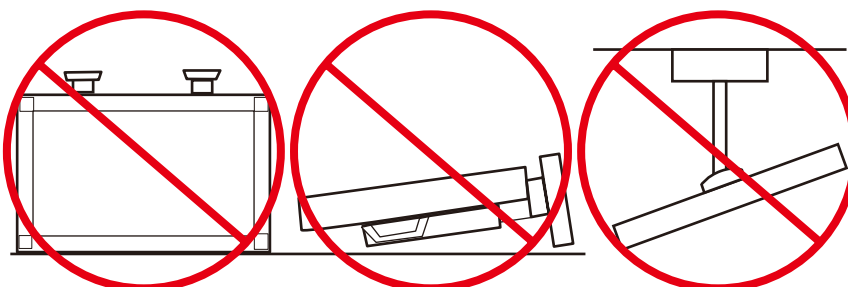


Handle

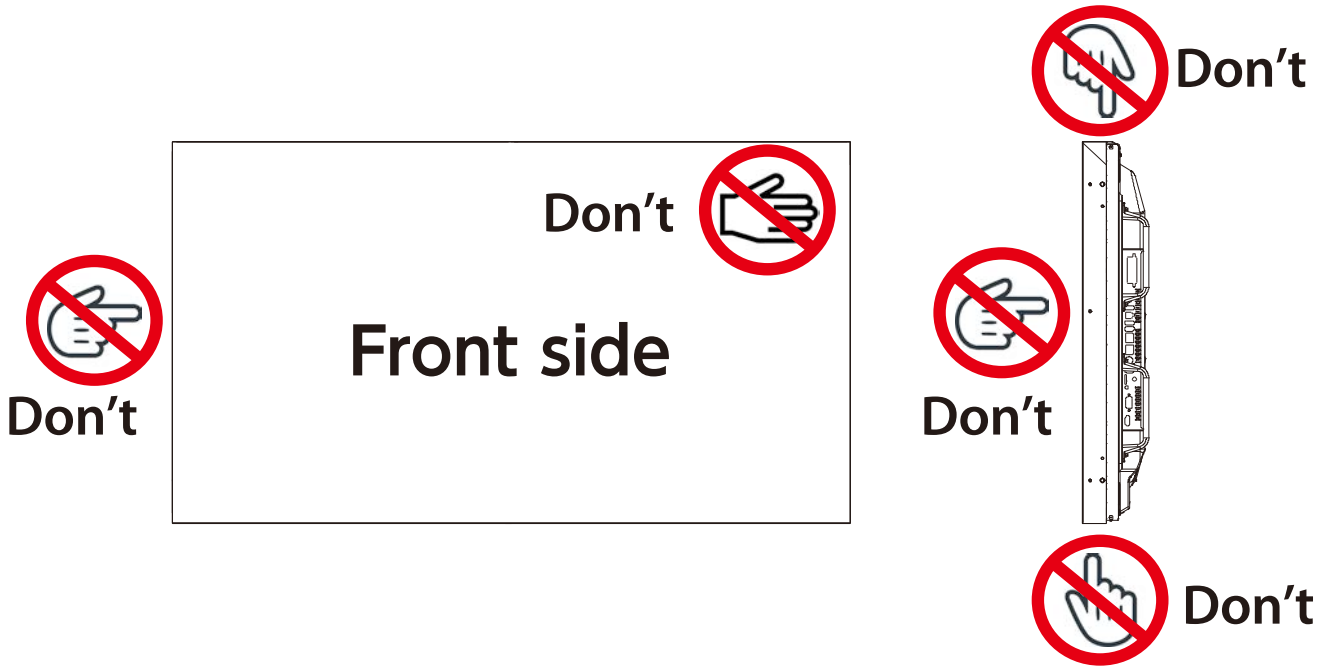
- (4) When installing the display in the portrait orientation, be sure to place the left side on the top when seen from the front.  
The display cannot be installed upside down.



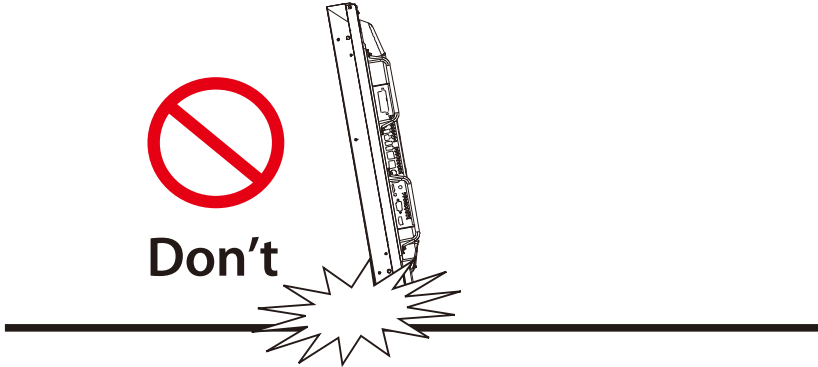
Do not install the display at a tilt.  
Do not install it upside down, on its side, or with the screen facing downward. Otherwise, it may damage the screen.



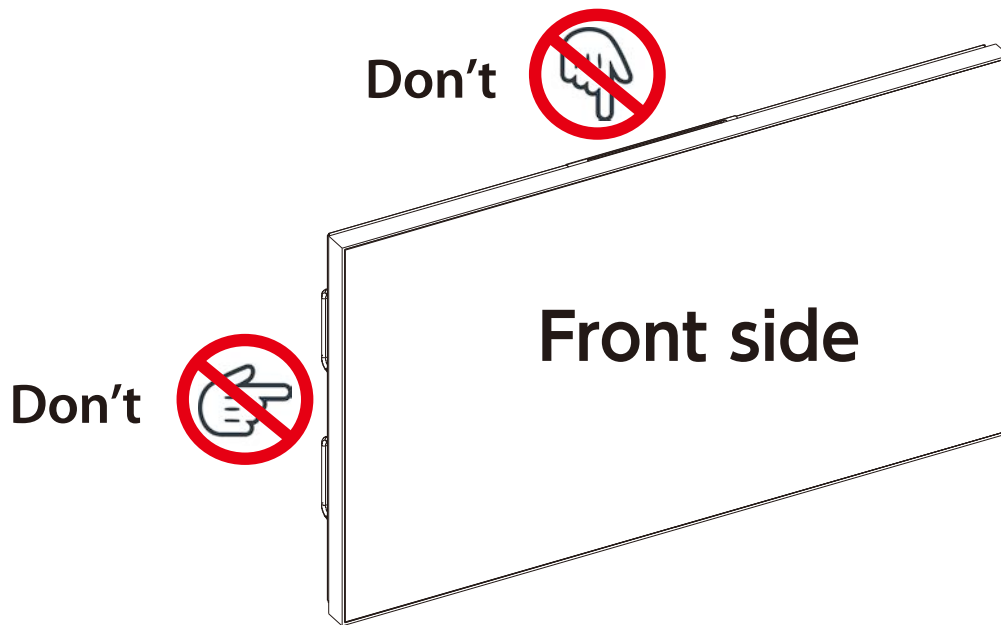
(5) Do not touch the top, bottom, left and right sides of the display. Also, do not touch the screen surface of the display. Applying pressure or shocks on the top or left sides of the display may adversely affect the image quality.



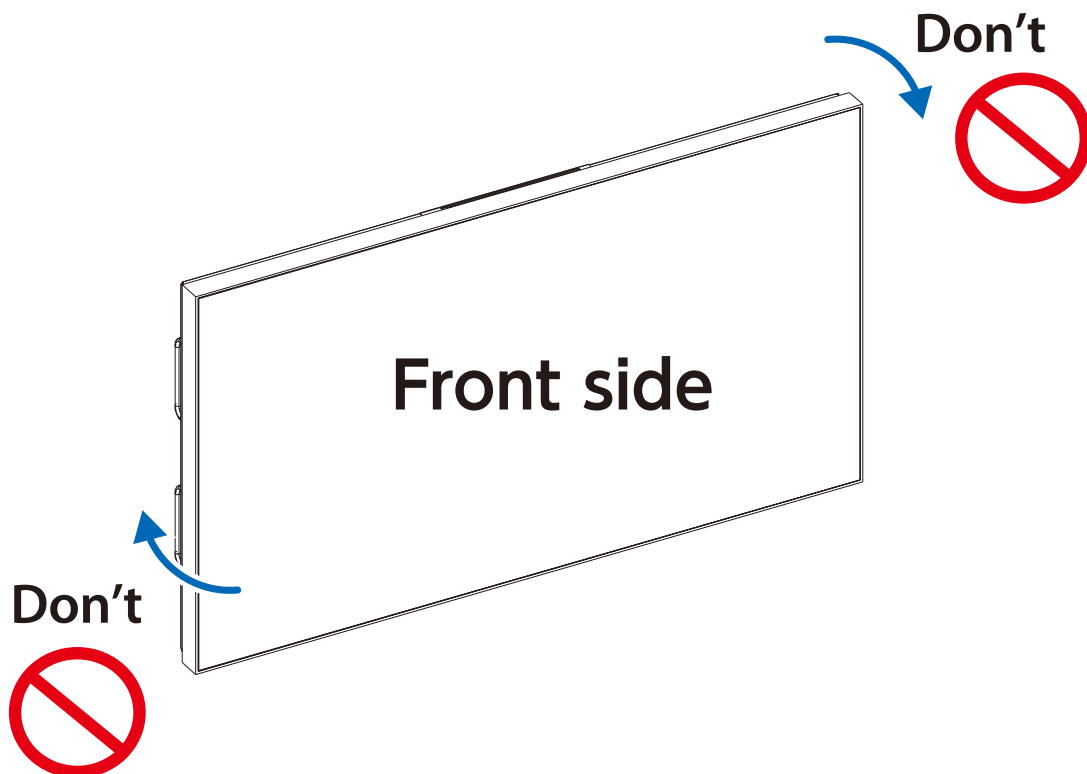
(6) Putting the bottom of the display or the screen surface directly on the floor may damage the display. Do not put the display directly on the floor but use the stand or the product package to keep it vertical.



(7) When installing the display in a multiple screens configuration, do not place it in a structure that continuously applies a load on its top or left side. Otherwise, it may adversely affect the image quality.



(8) Do not bend the display when installing it.



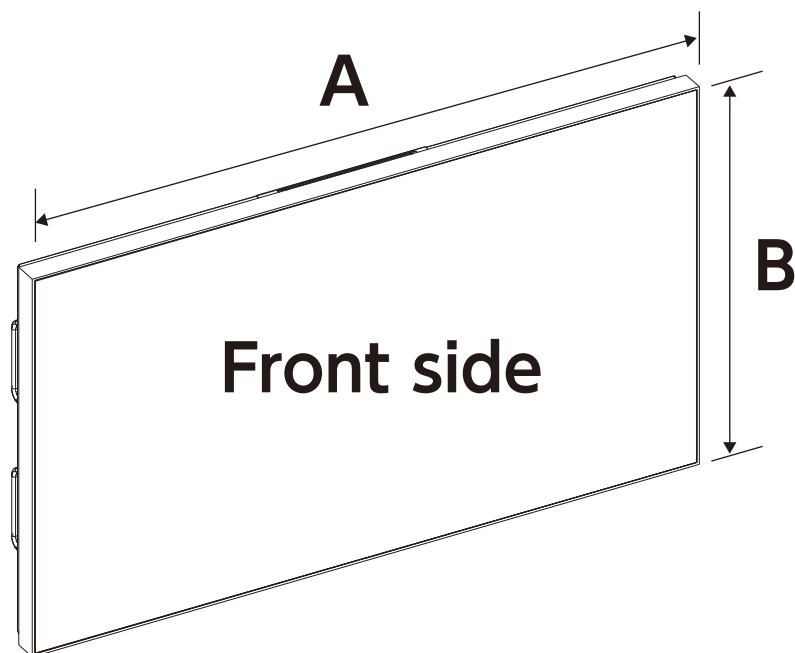
(9) Pay attention not to apply vibrations or shocks to the display when installing it. Otherwise, it may cause a malfunction.



## 4. Display external dimensions tolerances

External dimensions tolerances of the display are as follows.

Consider these tolerances when installing the display and pay attention that it does not interfere with other parts of the structure.

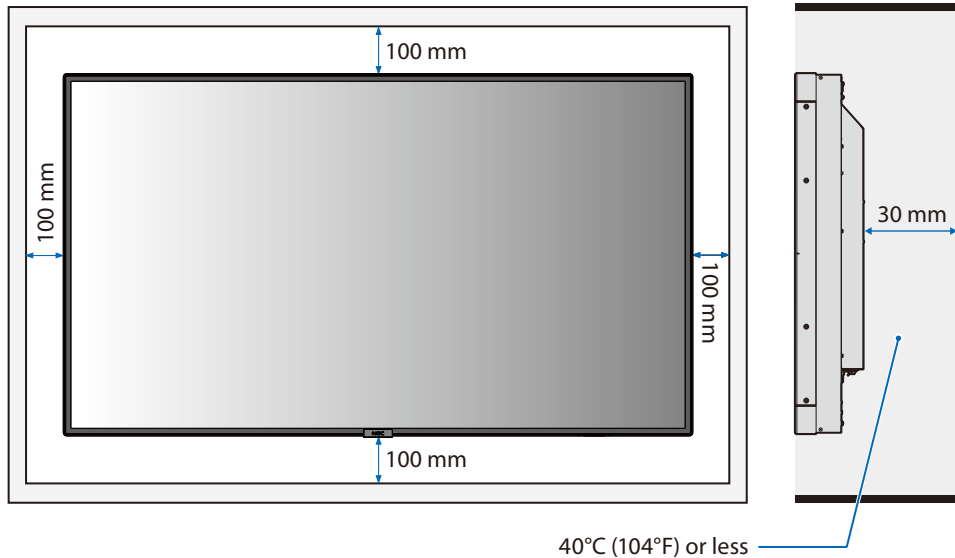


Tolerance	
A	B
$\pm 1.3$ mm	$\pm 1.3$ mm

# 5. Allowable temperature and installation environment

When installing the display in a narrow place (in a case embedded in a wall, etc.), leave gaps as shown in the figure below between the display and the wall to prevent an increase in the temperature.

You may also implement suitable cooling measures.



The guaranteed ambient temperature for the display is 40°C (104°F).

When using it inside a case, take measures such as installing cooling fans in the case or air vents to keep the temperature inside the case at a temperature of 40°C (104°F) or lower.

The display is equipped with temperature sensors and cooling fans. These fans turn on automatically when the inner temperature is too high.

A warning is displayed in any environment that exceeds the guaranteed temperature, even when the cooling fans are being used.

Using the display in an environment where a warning is displayed may cause a malfunction. In such a case, turn off the main power supply.

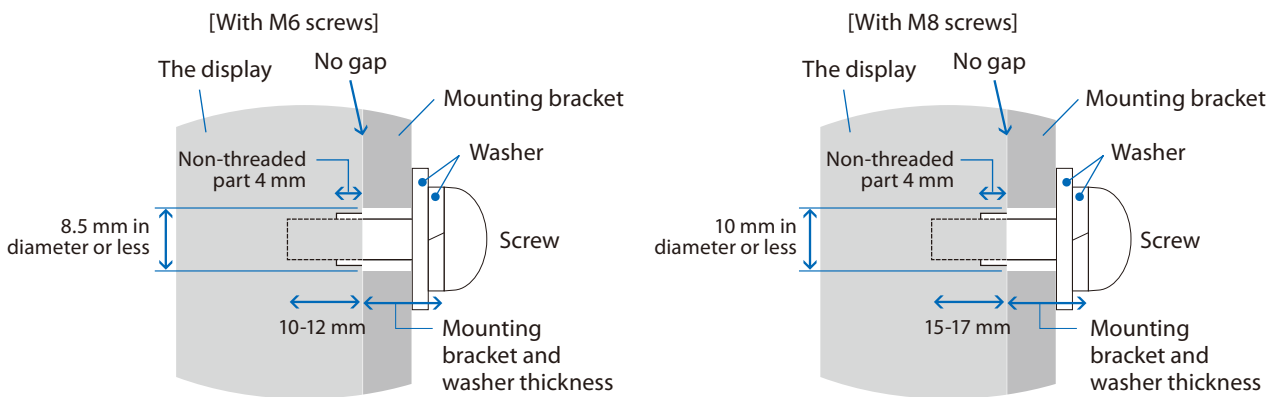
In addition to automatic operation of the built-in cooling fans when the temperature exceeds the guaranteed temperature, you can set the cooling fans to operate continuously under DISPLAY PROTECTION -> FAN CONTROL in the OSD menu.

When using the display with an option board, some of the cooling fans may turn on automatically to cool the option board even when the display operates within the guaranteed temperature range.

When the display is installed inside a case or when it is used with the LCD surface covered with an acrylic sheet or other protective sheets, check the inner temperature under DISPLAY PROTECTION -> HEAT STATUS in the OSD menu and then configure the fan operation as required.

## 6. Wall mount brackets installation

- (1) Use only mounting brackets that comply with the VESA standards.
- (2) Install the display only after thoroughly checking the strength of the mounting surface.
- (3) Use mounting brackets strong enough to support the display.
- (4) Check the strength and other safety factors before installing the display.
- (5) Refer to the mounting brackets manual for details on the mounting method and on how to guarantee the installation safety.
- (6) When using M6 screws, make screw holes of 8.5 mm or less in diameter.  
When using M8 screws, make screw holes of 10 mm or less in diameter.
- (7) Pay attention not to leave any gap between the installation surface of the display and the mounting brackets.

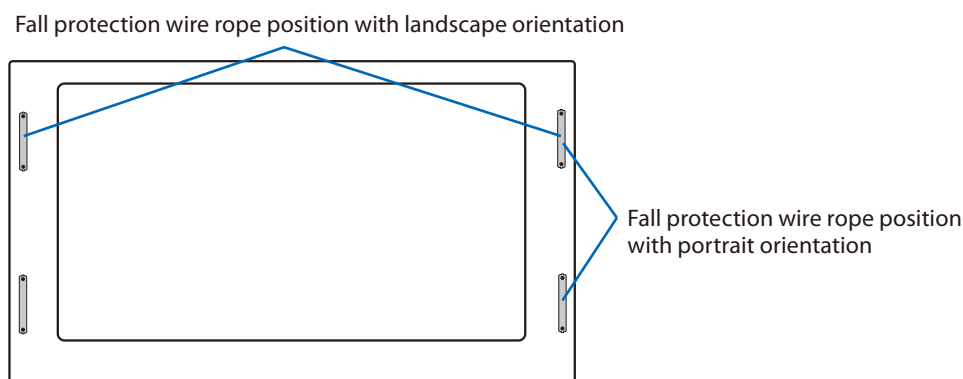


- (8) When installing the display on a wall or the ceiling, install a fall protection wire rope for safety.
- (9) Never attach the display to a wall or the ceiling using only the fall protection wire rope.
- (10) Install the fall protection wire rope not fully stretched.

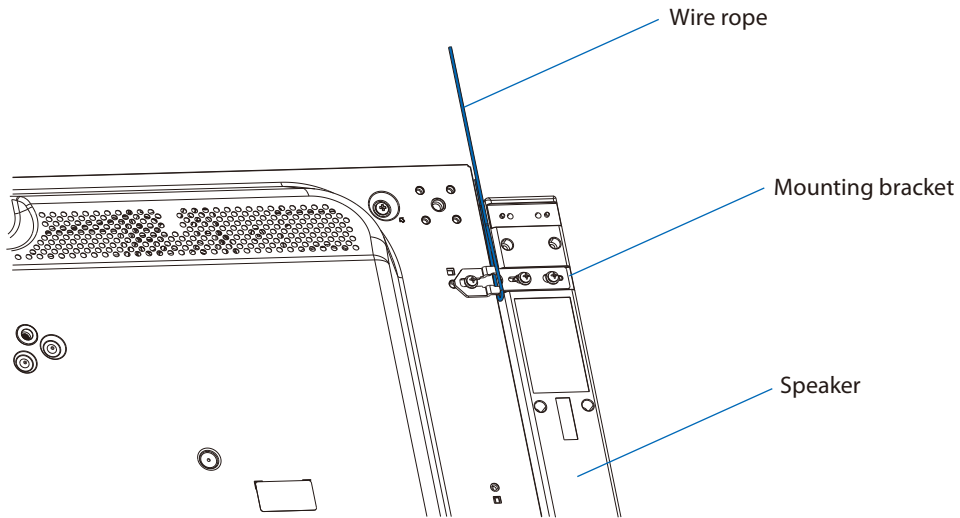
When attaching the fall protection wire rope to the handles, use the handles shown in the picture below depending on the orientation.

When attaching the fall protection wire rope to the speaker brackets, follow the method shown in the figure below.

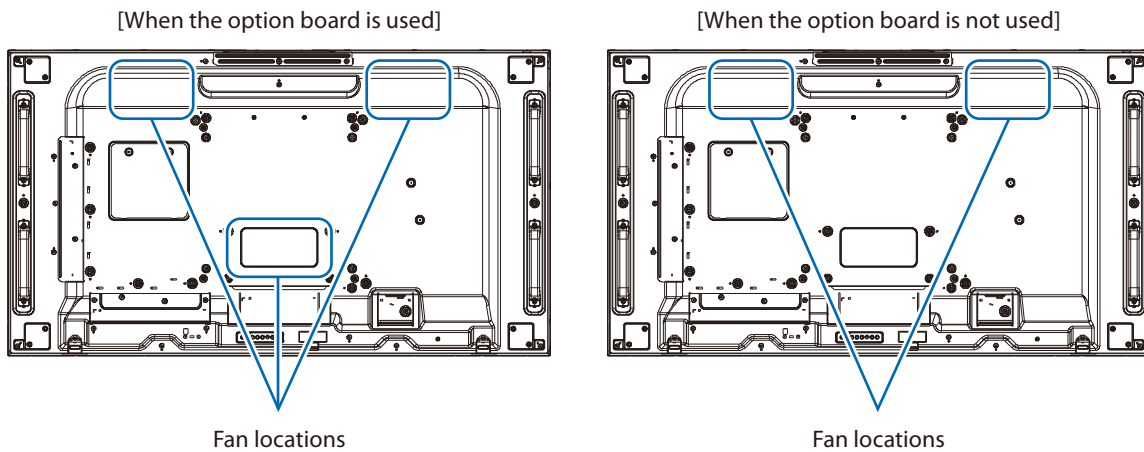
(Tightening torque 139 to 189 N·cm)



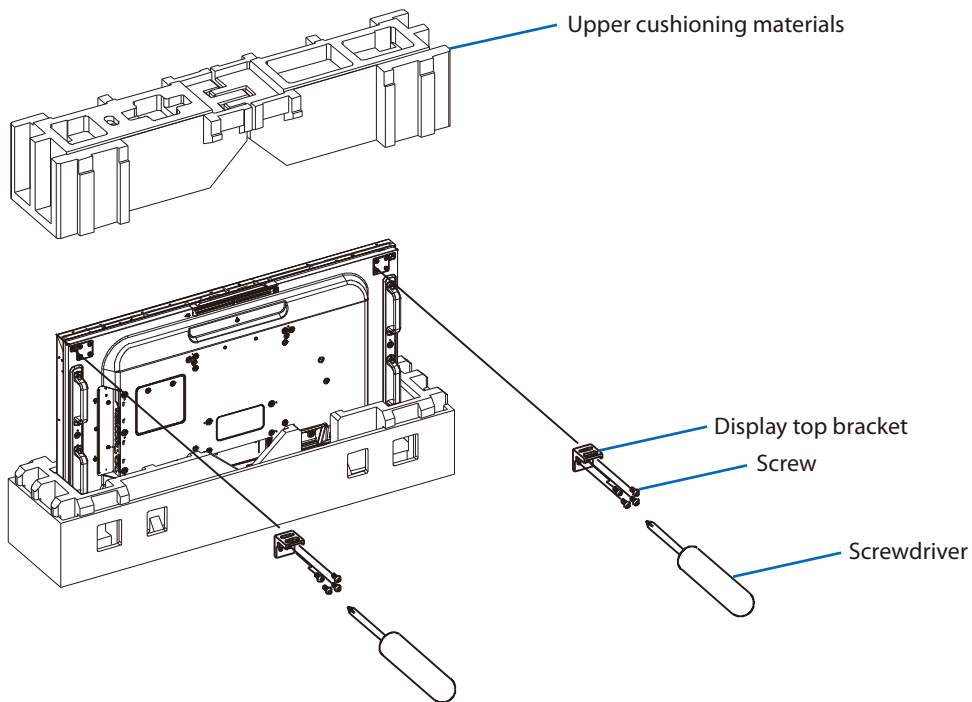
- (11) When attaching the wire rope to a display equipped with speakers (landscape orientation only)  
Attach the wire rope using the speaker brackets.



- (12) The display fans are located at the three locations shown in the figure below.  
Do not obstruct the fan vents with the mounting brackets or other parts.  
There are 3 fan vents when the option board is used, and 2 fan vents when the option board is not used.  
Using the display with the fan vents obstructed may cause a malfunction.

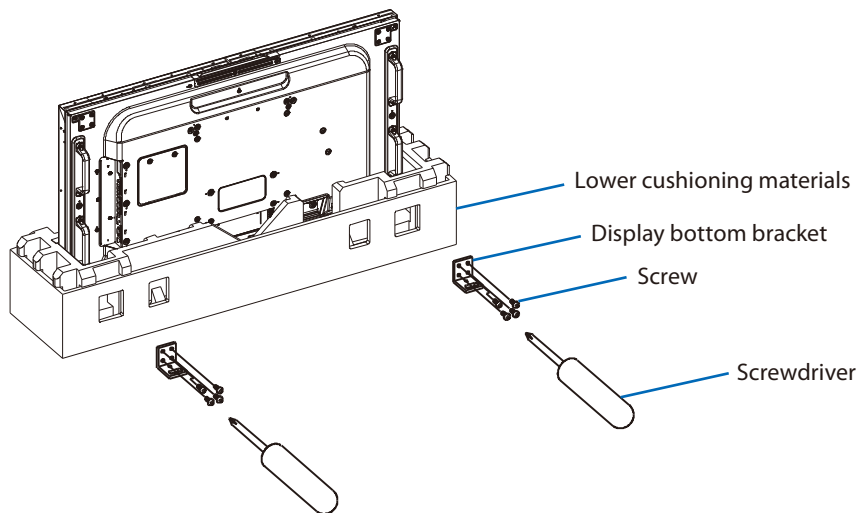


- (13) When using the NEC wall mount kit, remove the upper cushioning materials and fix the display top brackets to the display using screws.



- (14) It is possible to fix the display bottom brackets by passing the screw through the holes in the lower cushioning materials.

Since it is possible to fix the brackets with the display maintained by the cushioning materials in the vertical position, there is no risk to damage the screen.



## 7. Display cushions

---

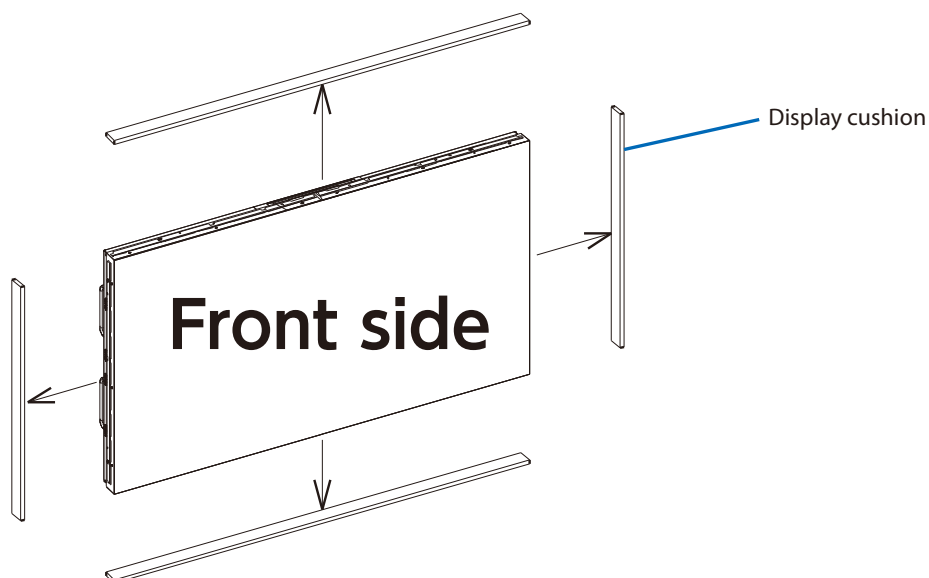
Some of the display models have cushions stuck around them. The cushions must be removed before installing these models.

The cushions must be removed slowly.

Otherwise, it may damage the display.

Keep the display cushions in the event you need to pack the display again.

For models: UN492S/UN492VS/UN552S/UN552VS

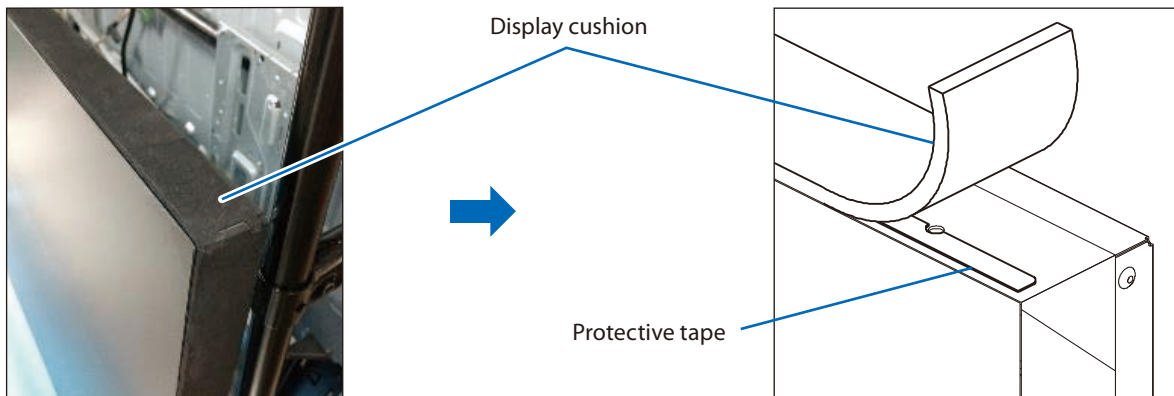


## 8. How to remove the protective tape

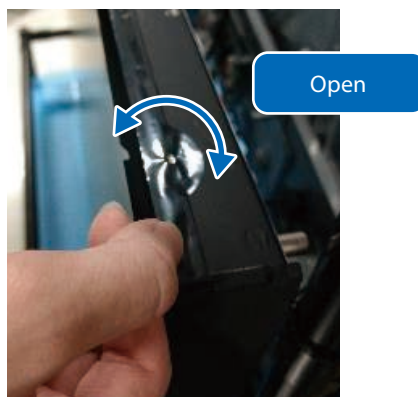
Some of the display models have protective tape stuck on their upper side to protect them from shocks during installation. Remove the protective tape following the procedure below.

For models: UN492S/UN492VS/UN552S/UN552VS

- (1) Remove the display cushions.



- (2) Open the pieces of protective tape by turning them in the direction of the arrow before installing the display in a multiple screens configuration.

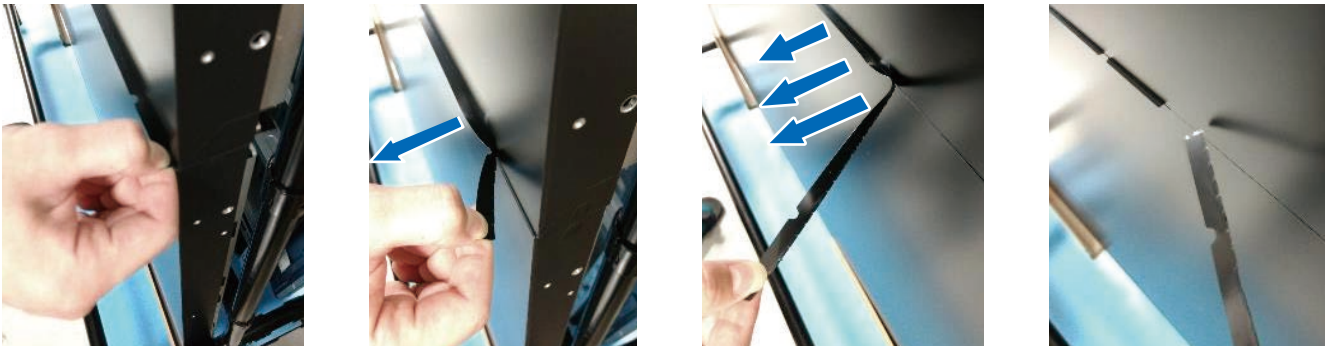


- (3) Install the display that comes above.



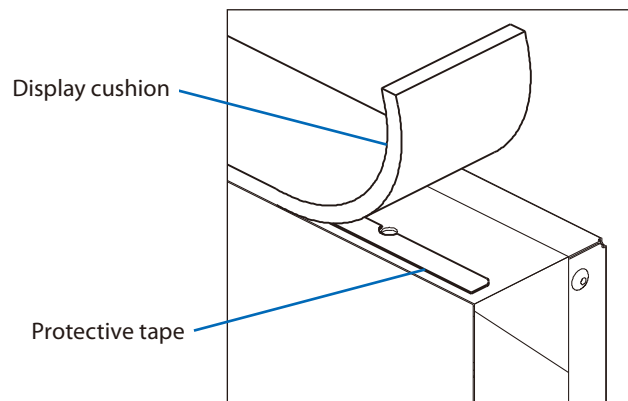
(4) After installing the display in a multiple screens configuration, hold the extremity of the piece of protective tape and pull it in the direction of the arrow to remove it.

Remove the protective tape slowly. Otherwise, it may damage the display.



(5) Since the protective tape is very thin, it is possible to install the display in a multiple screens configuration without removing it.

In this case, remove only the display cushions.





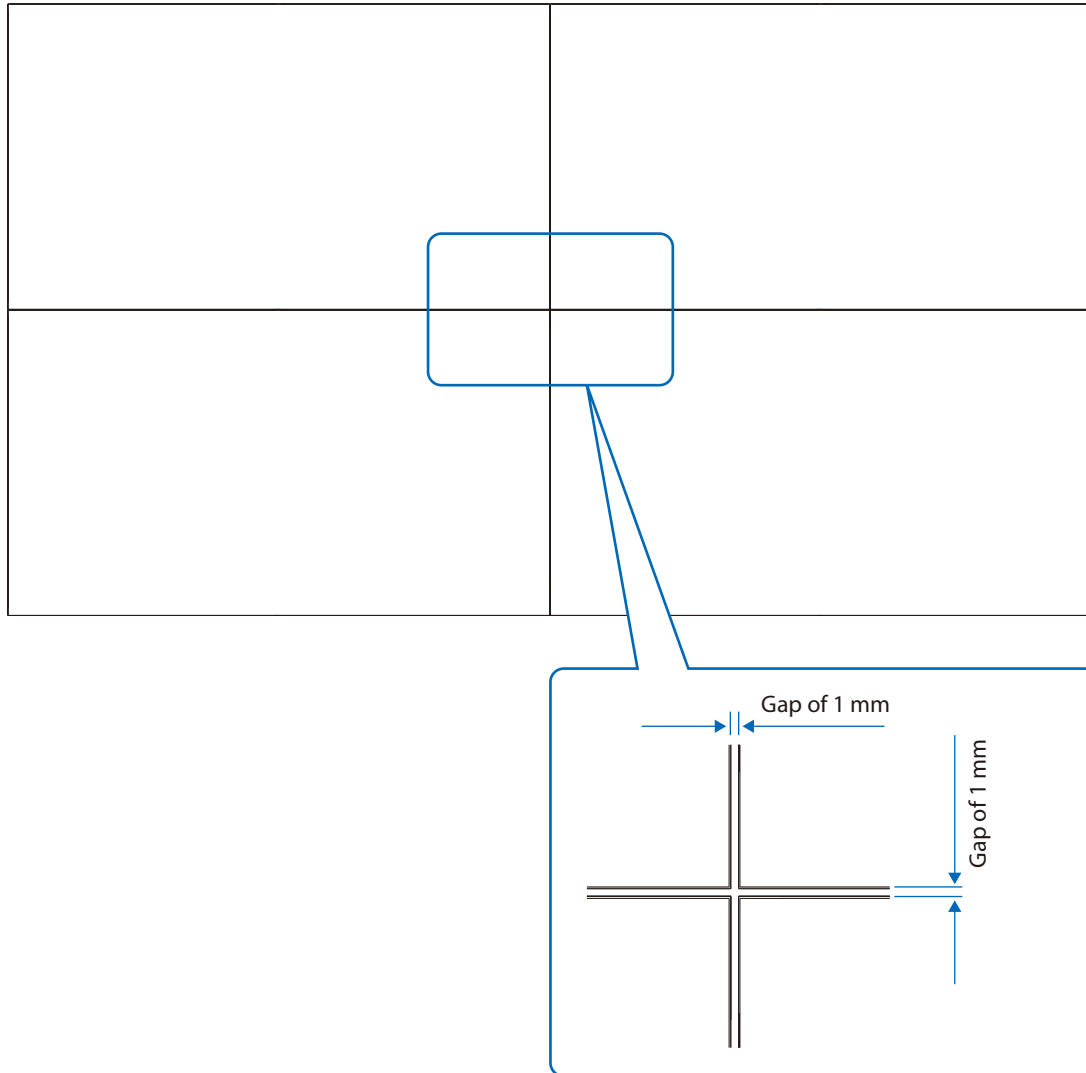
## 9. Multiple screens installation

- (1) When installing the displays in a multiple screens configuration, turn the displays off and leave a gap of 1.0 mm between each display.

Note that light from the back may pass through the gaps between the displays.

To prevent the light from passing through the gaps, install a plate that stops the light at the back of the displays.

This plate is not supplied by NEC.



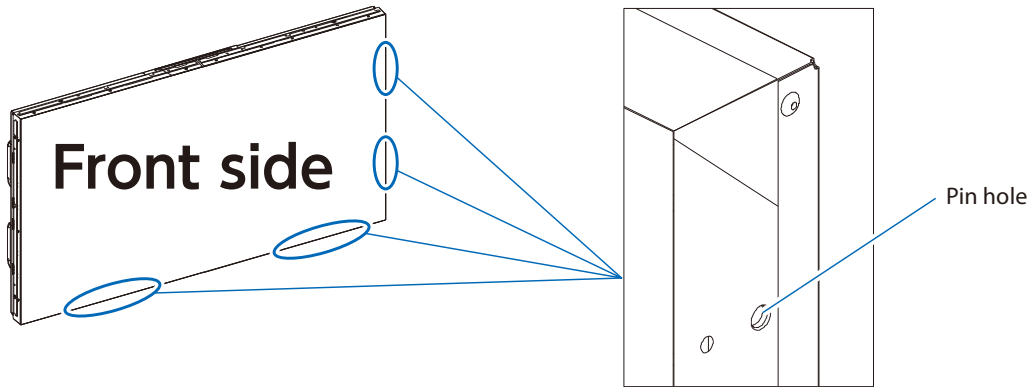
- (2) Consider the following when installing the display in a multiple screens configuration.
- Check that the wall to which the mounting brackets will be installed is perfectly flat.
  - Make sure that the mounting brackets used are strong enough to meet the installation requirements.
  - Choose a structure in which load is not applied on the display top and left sides.
  - Pay attention that the cable route does not interfere with other parts of the structure.
  - Choose a configuration with which there is no risk that the displays bend after they have been installed.

# 10. Pins, spacers and spacer sheets

Some display models are supplied with pins, spacers and spacer sheets.

With multiple screens configuration, installing the pins and the spacers makes it possible to secure a constant gap between the displays.

However, the pins can be installed only on the models that have pin holes of 6 mm in diameter in their bottom and right sides. The pins cannot be used with the other models. The pins and the spacers cannot be used with installation brackets that allow the display to move, such as pantograph or sliding mechanisms.

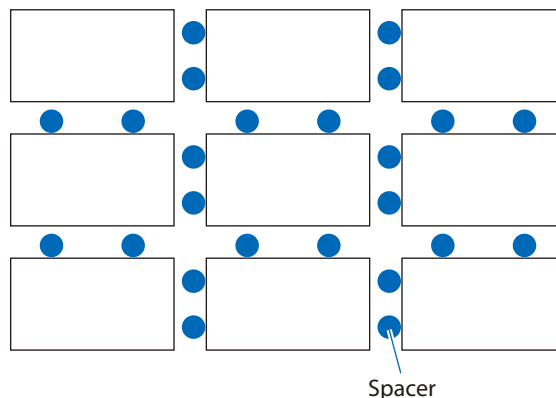
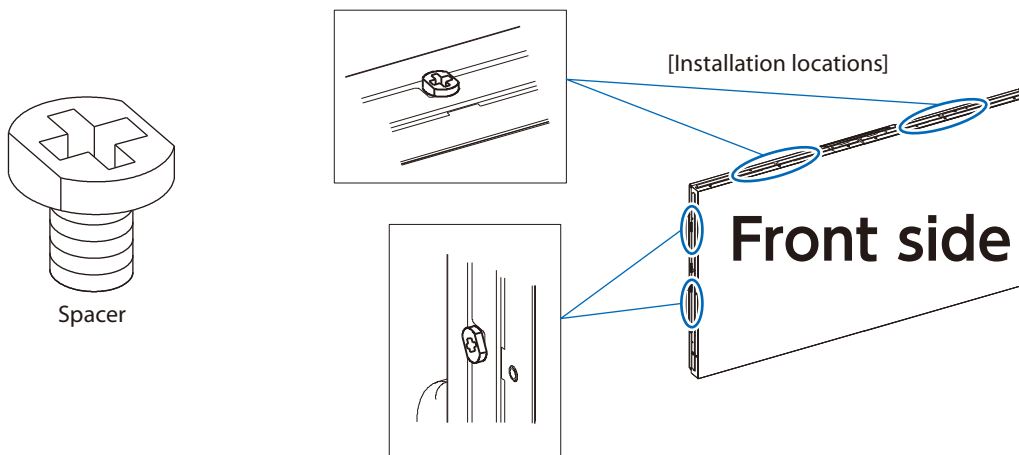


## (1) Spacers

The spacers supplied with the display can be installed in the screw holes on the top and left sides of the display.

They are useful to prevent the display from coming into contact on their weaker sides with other displays in multiple screens configuration. Therefore, we recommend installing these spacers in this configuration.

However, the spacers cannot be used with installation brackets, such as pantograph or sliding mechanisms, that allow the display to move back and forth or right and left.

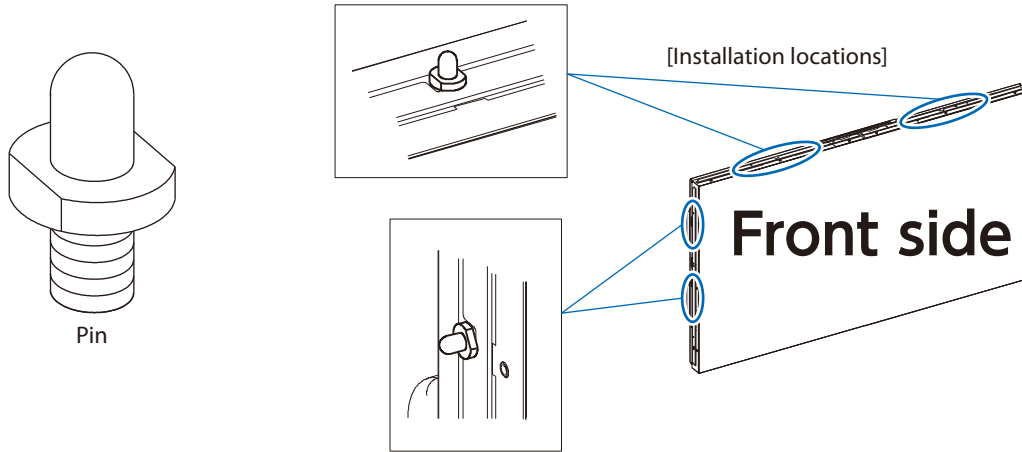


Example: Spacer installation with multiple screens configuration

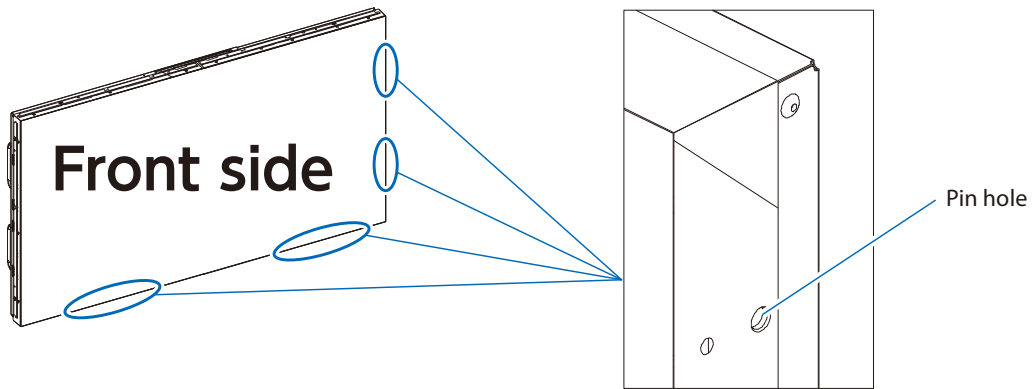
(2) Pins

The pins supplied with the display can be installed in the screw holes on the top and left sides of the display. They are useful to prevent the display from coming into contact on their weaker sides with other displays in multiple screens configuration. Using these pins also facilitates alignment when fixing the display to VESA wall mounting brackets.

However, the spacers cannot be used with installation brackets, such as pantograph or sliding mechanisms, that allow the display to move back and forth or right and left.

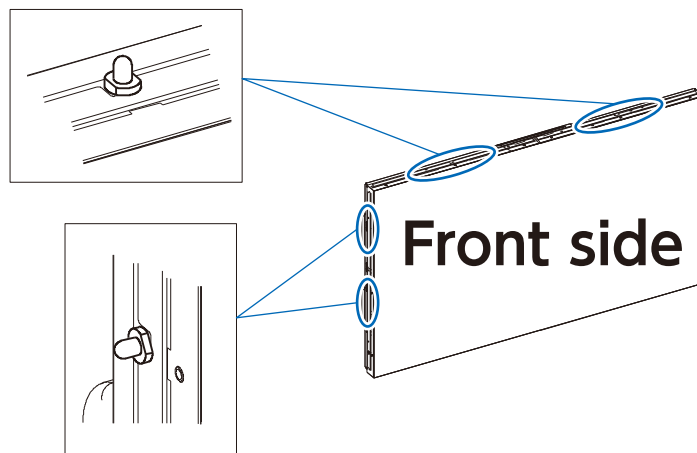


The displays have two pin holes on each of their bottom and right sides.

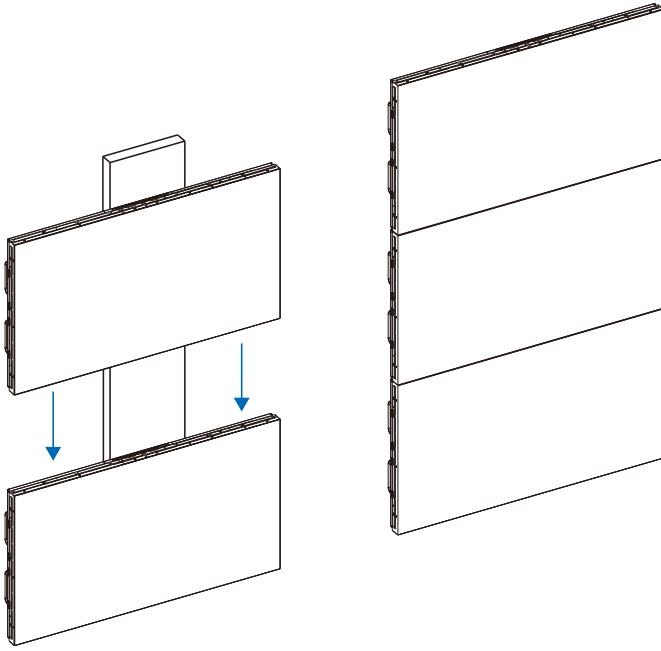


Follow the procedure below to install the pins.

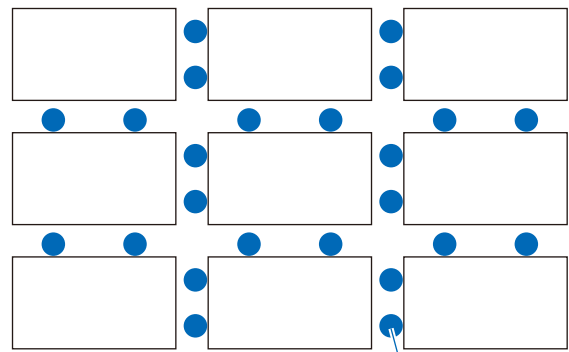
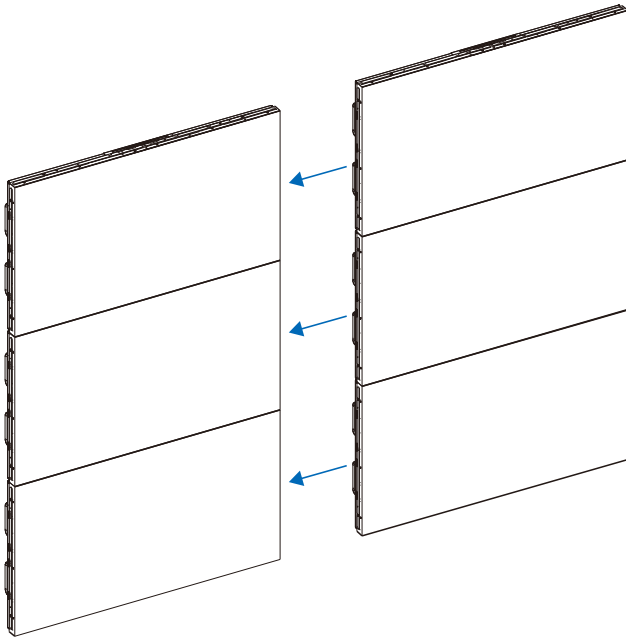
- (a) Fix the pins on the top and left sides on the display.



(b) Fix the display on the VESA wall mounting bracket and insert the pins into the holes of the display placed above.



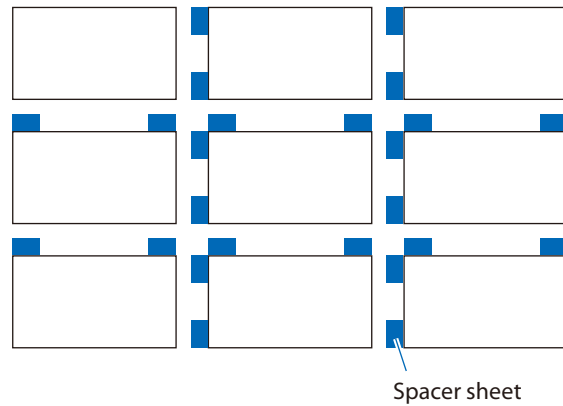
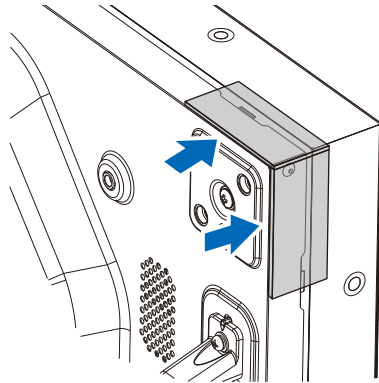
(c) Insert the pins to the pin holes on the display sides.



Example: Spacer installation with multiple screens configuration

### (3) Spacer sheets

Spacer sheets are useful to prevent the display from coming into contact on their weaker sides with other displays. Remove the release paper from the double-sided tape on the back of the spacer sheet, and stick the spacer sheet aligned with the edge at the back of the display.



Example: Spacer sheet installation with multiple screens configuration

#### \* Caution: When using movable installation brackets

- If pins are installed to the display, the display cannot be moved.
- When spacers or spacer sheets are installed to the display, the spacers and the spacer sheets may contact or rub against the display and cause image problems in the case the display is allowed to move.
- Do not install the pins, spacers or spacer sheets when using a movable bracket or an adjustable stand that allows the display to move.
- Example of movable installation brackets are such as pantograph mechanisms, slide mechanisms.

# 11. Compatibility of optional products

---

For information on optional mounting brackets compatibility, refer to the manual supplied with the optional mounting brackets.

# 12. Installation procedure of options

---

For information on the installation procedure of options, refer to the manual supplied with the options.

# 13. When repacking and sending the product

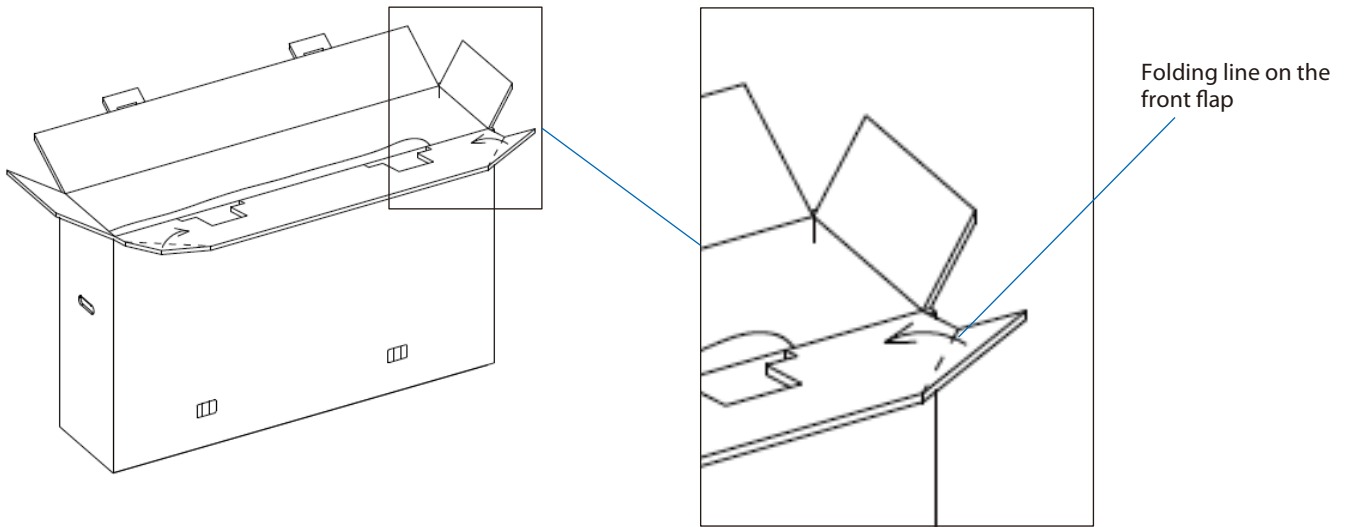
Some of the display models have protective tape stuck on their upper side to protect them from shocks during installation. With these models, always stick the display cushions back in place before sending the display.

Sending the display without the cushions may cause malfunctions due to vibrations during transportation.

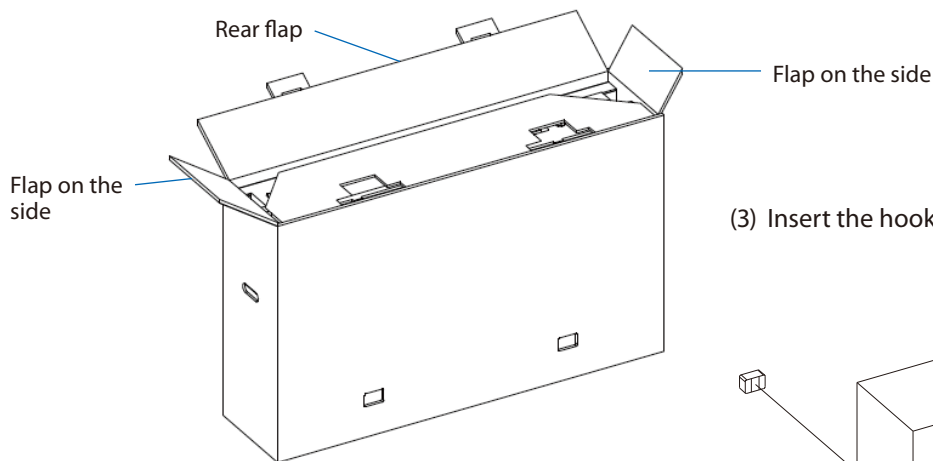
If the cushions have been lost, fold inward the corners of the front flap of the box following the lines to pack the display. The packing method is as follows.

## 1. Models with display cushion

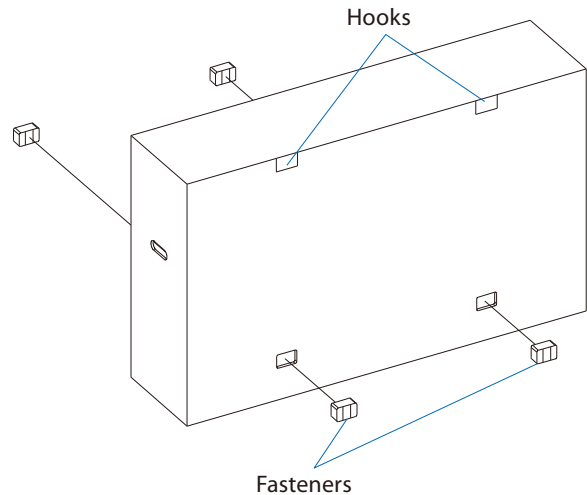
(1) Fold the corners of the front flap inward following the lines.



(2) Fold the front flap, the flaps on the sides, and then the rear flap in that order.



(3) Insert the hooks and secure the fasteners.





## 2. Models with front boards

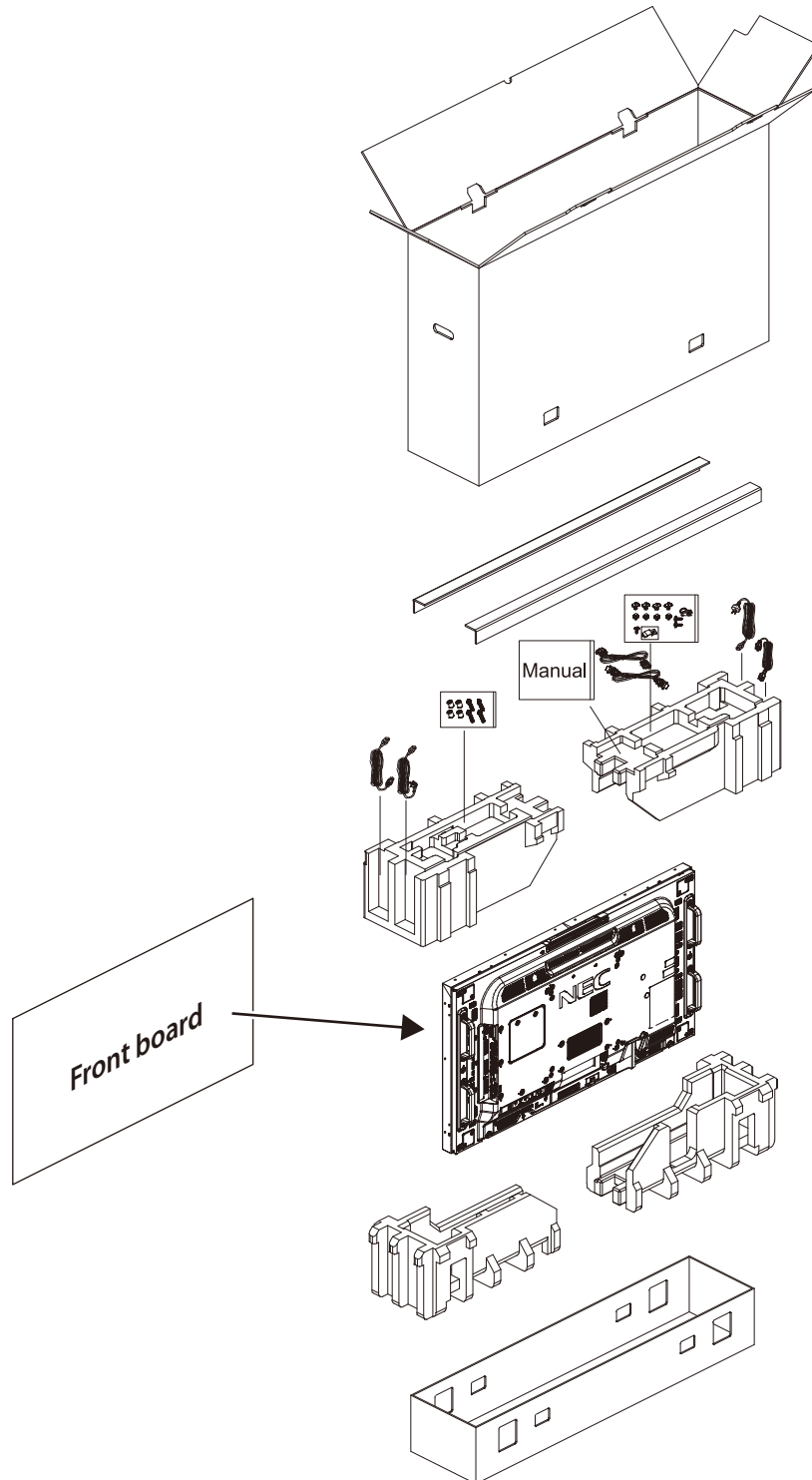
Some models have front boards that come on the front side of the LCD.

When you want to send one of these models, always send the front boards together with the display.

The front boards are designed to protect the display from the shocks and vibrations during transportation. Sending the display without the front boards may lead to a malfunction.

When packing the product, place the front boards first in the lower packing materials before placing the display in the lower packing materials.

Placing the front boards in the package after the display may lead to a malfunction.

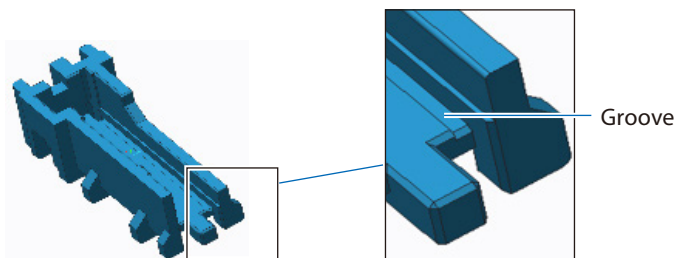


The repacking procedure is as follows.

- (1) Place the cushioning materials in the lower box.



- (2) Insert the two front boards into the grooves in the cushioning materials.



<b>NG</b>	<b>OK</b>
<p>Placing the front boards in the lower cushioning materials after the display may lead to a malfunction.</p> <p>Labels: Display, Front board, Cushioning materials</p>	<p>1) First, place the front boards in the lower cushioning materials, 2) and then place the display in the lower cushioning materials.</p> <p>Labels: Display, Front board, Cushioning materials</p>

- (3) Put the display in the protective bag and then in the lower cushioning materials.

See the figures on the flaps of the box for the other packing procedures.

