

PA1505UL & PA1705UL Installation Guide

Rev 1.0

Desktop and Ceiling Mount

Contents

Product Description, Lens Specs, Screen/Aspect Ratio	
Notes and Formulas	Pg. 1
Distance Charts and Formulas	Pg. 2
Ceiling Mount/Desktop Installation	Pg. 3
Lens Shift Adjustable Range	Pg. 4
Cabinet Dimensions	Pg. 5-6
Ceiling Mount	Pg. 7
Optional Lens Dimensions	Pg. 8
Laser Regulations and Installation Guidelines	Pg. 9-15
Ventilation Requirements/Portrait Requirements	Pg. 16
Air Flow	Pg. 17-18
Regulatory Labels and Input Panel	Pg. 19
Control Codes	Pg. 20



Product Description

Type:	3 panel LCD projector, 1.0" p-Si TFT w/MLA	Dimensions: 23.6" (W) x 19.3"(D) x 8.5"(H)
		Weight: PA1505UL: 63.7 lbs PA1705UL: 63.7 lbs
Resolution:	1920 x 1200 (16:10)	Brightness: PA1505UL: 15,000 Lumens PA1705UL: 17,000 Lumens
Fan Noise:	PA1505UL: 40 dB / 36dB @ 1 meter PA1705UL: 42 dB / 39dB @ 1 meter	
Power Consumption:	PA1505UL: 960W (max) PA1705UL: 1035W (max)	BTU's: PA1505UL: 3264 BTU/hour PA1705UL: 3519 BTU/hour

Lens Specifications

NP53ZL:	Throw Ratio: 0.86 – 1.25:1 Screen Sizes: 60" - 500"	Focal Length: 19.0 – 27.6mm F#: 1.8 – 2.24	Weight: 11.7lbs. / 5.3kg
NP54ZL:	Throw Ratio: 1.24 – 2.01:1 Screen Sizes: 60" - 500"	Focal Length: 27.7 – 44.9mm F#: 1.8 – 2.24	Weight: 9.9lbs. / 4.5kg
NP55ZL:	Throw Ratio: 1.98 – 3.95:1 Screen Sizes: 60" - 500"	Focal Length: 43.8 – 87.4mm F#: 1.84 - 2.58	Weight: 11.9lbs. / 5.4kg

Screen/Aspect Ratio

4:3, 16:9 and 16:10 screens are fully supported with proper aspect ratio control for both types of sources using NEC developed scaling technology. Menu selections have settings for each screen type and aspect ratio control for each source type.

PA1505UL & PA1705UL Installation Guide

Desktop and Ceiling Mount

Rev 1.0

Formulas: 16:10 Aspect Ratio (WUXGA)

The Projection Formulas use image width for calculation. Image width is the same for all aspect ratios, only vertical image size varies. For proper projector placement, determine the image width for a desired screen size. Use the Screen Formulas below to calculate all screen dimensions. Plug in the image width for "W" in the Projection Formulas. Refer to the diagrams and charts for popular screen sizes on page 2 and 3:

Projection Formulas:

NP53ZL: C(Wide) = 0.877W – 1.808 ----- C(Tele) = 1.279W – 1.970
NP54ZL: C(Wide) = 1.279W – 3.242 ----- C(Tele) = 2.044W – 2.920
NP55ZL: C(Wide) = 2.031W – 4.799 ----- C(Tele) = 4.000W – 4.742

Definitions:

W = Image Width
 H = Image Height (size)
 C = Throw distance

16:10 Screen Formulas

W = H x 16/10
 H = W x 10/16
 Diagonal = W x 18.868/16

Horizontal Lens Shift Max (Right) = 0.25W (NP53ZL, NP54ZL, NP55ZL)

Horizontal Lens Shift Max (Left) = 0.25W (NP53ZL, NP54ZL, NP55ZL)

Vertical Lens Shift Max (Up) = 0.65H (NP53ZL, NP54ZL, NP55ZL)

Vertical Lens Shift Max (Down) = 0.65H (NP53ZL, NP54ZL, NP55ZL)

Distance Chart for popular 16:10 Screens (WUXGA)

Screen Size (16:10)			Zoom Lenses					
			NP53ZL		NP54ZL		NP55ZL	
Diagonal	Width(W)	Height (H)	0.86 -1.25:1		1.24 -2.01:1		1.98 -3.95:1	
inches	inches	inches	inches		inches		inches	
40	34	21	N/A	N/A	N/A	N/A	N/A	N/A
60	51	32	42.8	63.1	61.8	101.1	98.5	198.8
67	57	36	48.0	70.7	69.4	113.3	110.6	222.5
72	61	38	51.7	76.1	74.8	121.9	119.2	239.5
84	71	45	60.7	89.1	87.9	142.7	139.9	280.2
94	80	50	68.1	100.0	98.7	160.1	157.1	314.1
100	85	53	72.6	106.5	105.2	170.5	167.4	334.5
120	102	64	87.4	128.2	126.9	205.2	201.9	402.3
150	127	79	109.7	160.7	159.4	257.2	253.5	504.1
180	153	95	132.1	193.3	192.0	309.2	305.2	605.8
210	178	111	154.4	225.8	224.5	361.3	356.9	707.6
240	204	127	176.7	258.3	257.1	413.3	408.5	809.3
270	229	143	199.0	290.9	289.6	465.3	460.2	911.1
300	254	159	221.3	323.4	322.1	517.3	511.9	1012.9
400	339	212	295.7	431.9	430.6	690.7	684.1	1352.1
500	424	265	370.0	540.3	539.1	864.2	856.3	1691.3

Notes

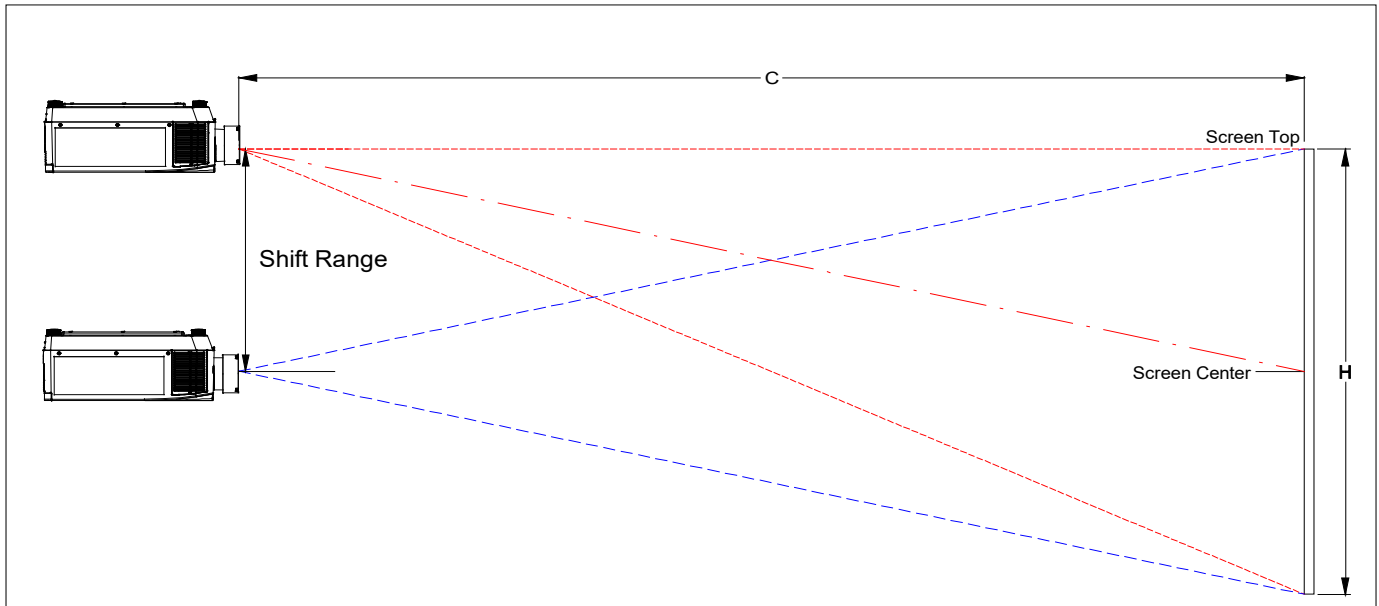
- For screen sizes not indicated on the projection tables, use the formulas above respective charts. If the figures on the tables do not match the results of formulas, use the figures in the table.
- Distances are in inches, for millimeters multiply by 25.4.
- Distances may vary ±5%.

PA1505UL & PA1705UL Installation Guide

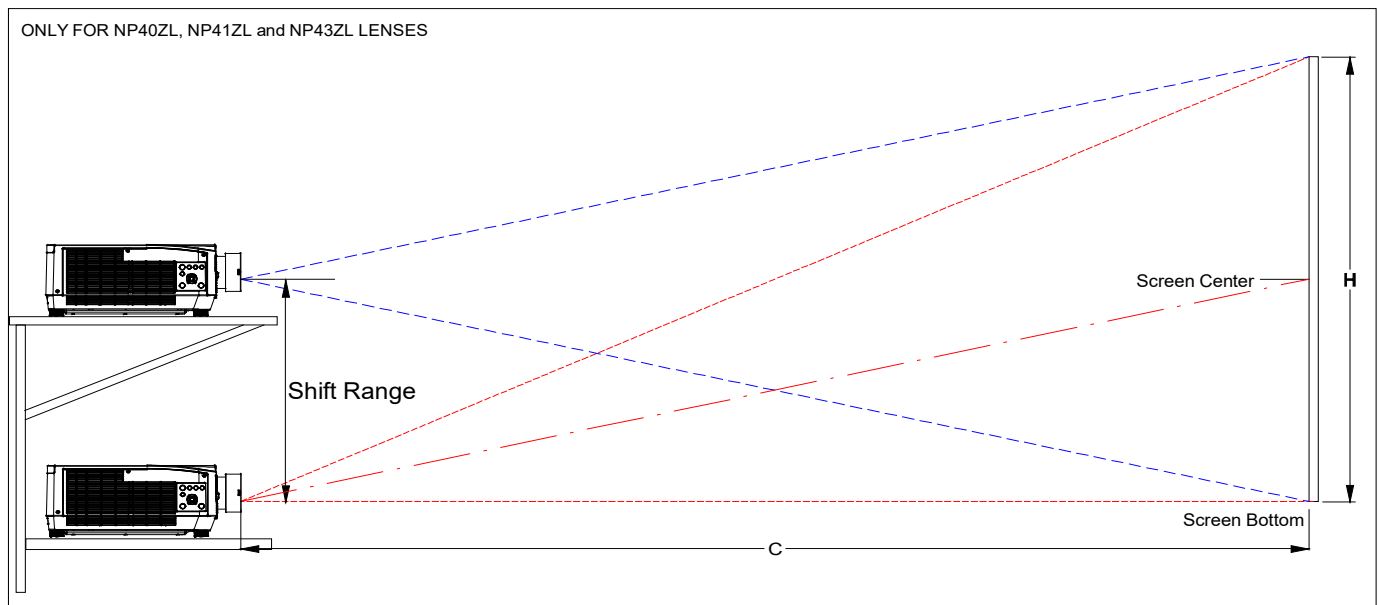
Rev 1.0

Desktop and Ceiling Mount

Ceiling Mount Installation



Desktop Installation



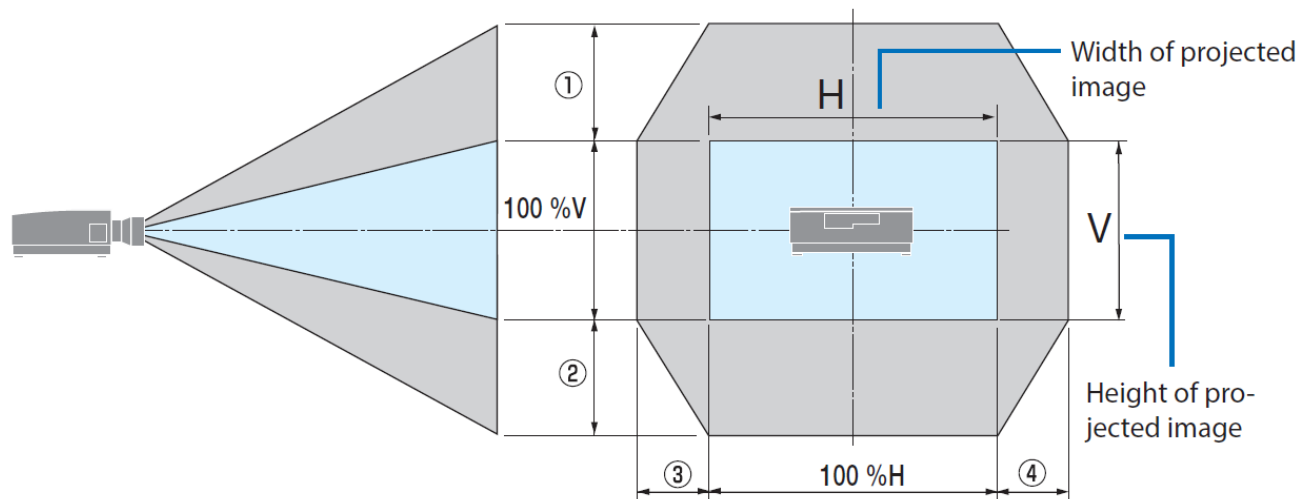
PA1505UL & PA1705UL Installation Guide

Rev 1.0

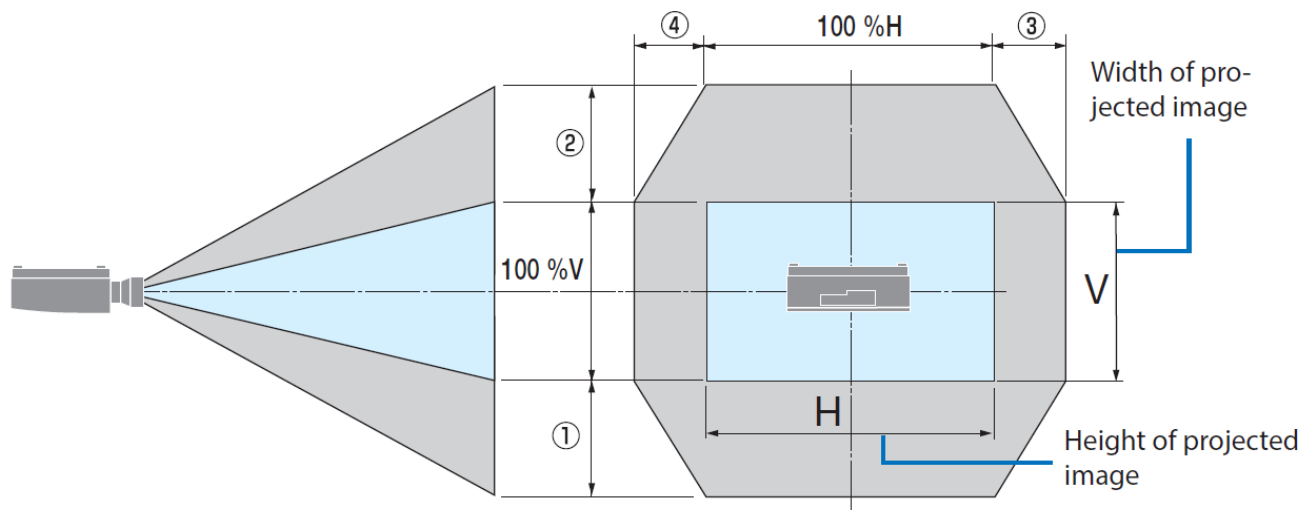
Desktop and Ceiling Mount

Lens Shift Adjustable Range

Desk/front projection



Ceiling/front projector



Number in the figure	Lens Unit					
	NP51ZL	NP52ZL	NP53ZL	NP54ZL	NP55ZL	NP56ZL
① ②	50%V	55%V	65%V			
③ ④	20%H		25%H			

PA1505UL & PA1705UL Installation Guide

Rev 1.0

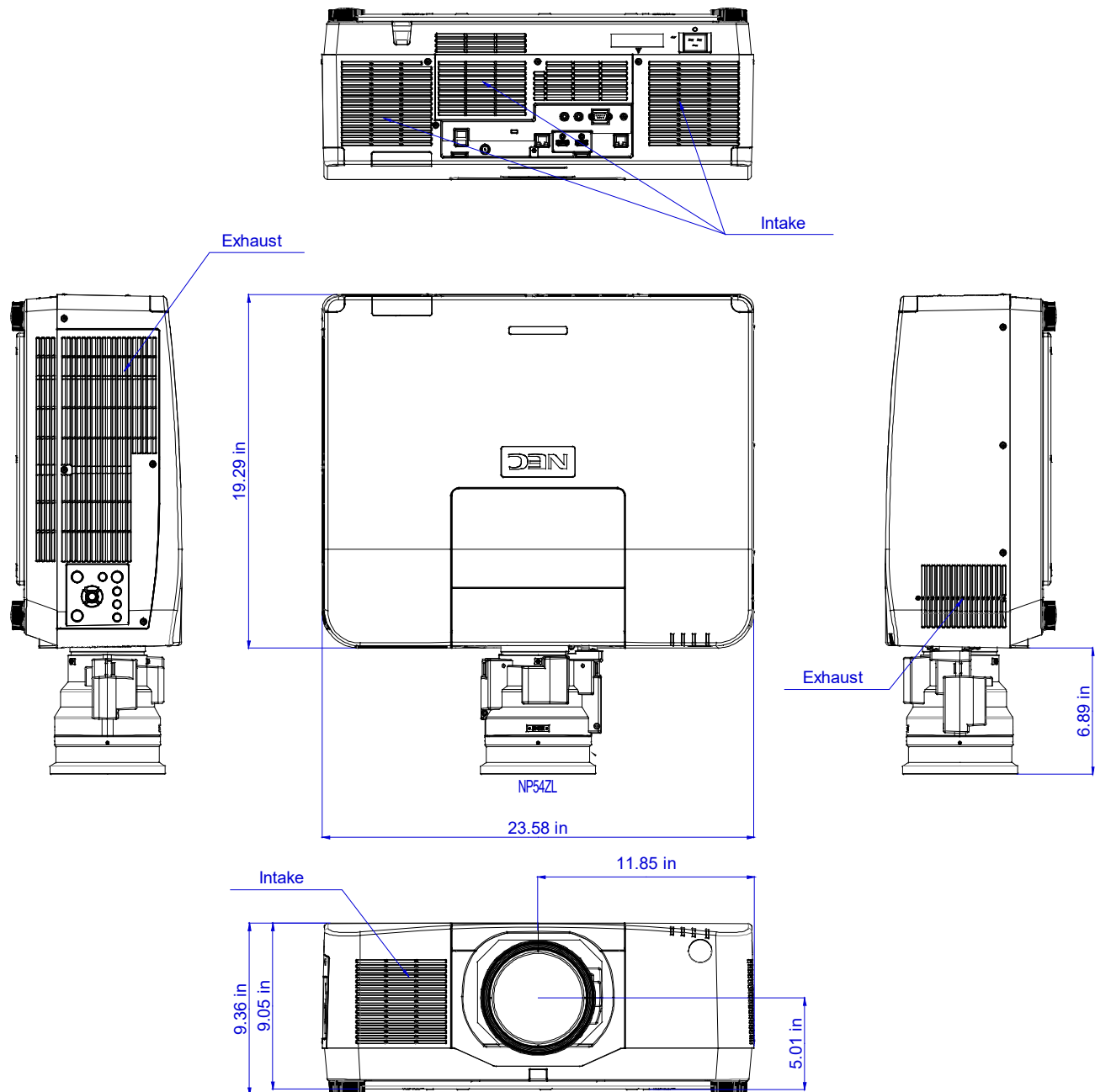
Desktop and Ceiling Mount

Cabinet Dimensions

The following diagrams show the cabinet dimensions for the PA1505UL/PA1705UL.

Dimensions are in inches. For millimeters multiply by 25.4.

Note: Dimensions below shown with the NP54ZL lens

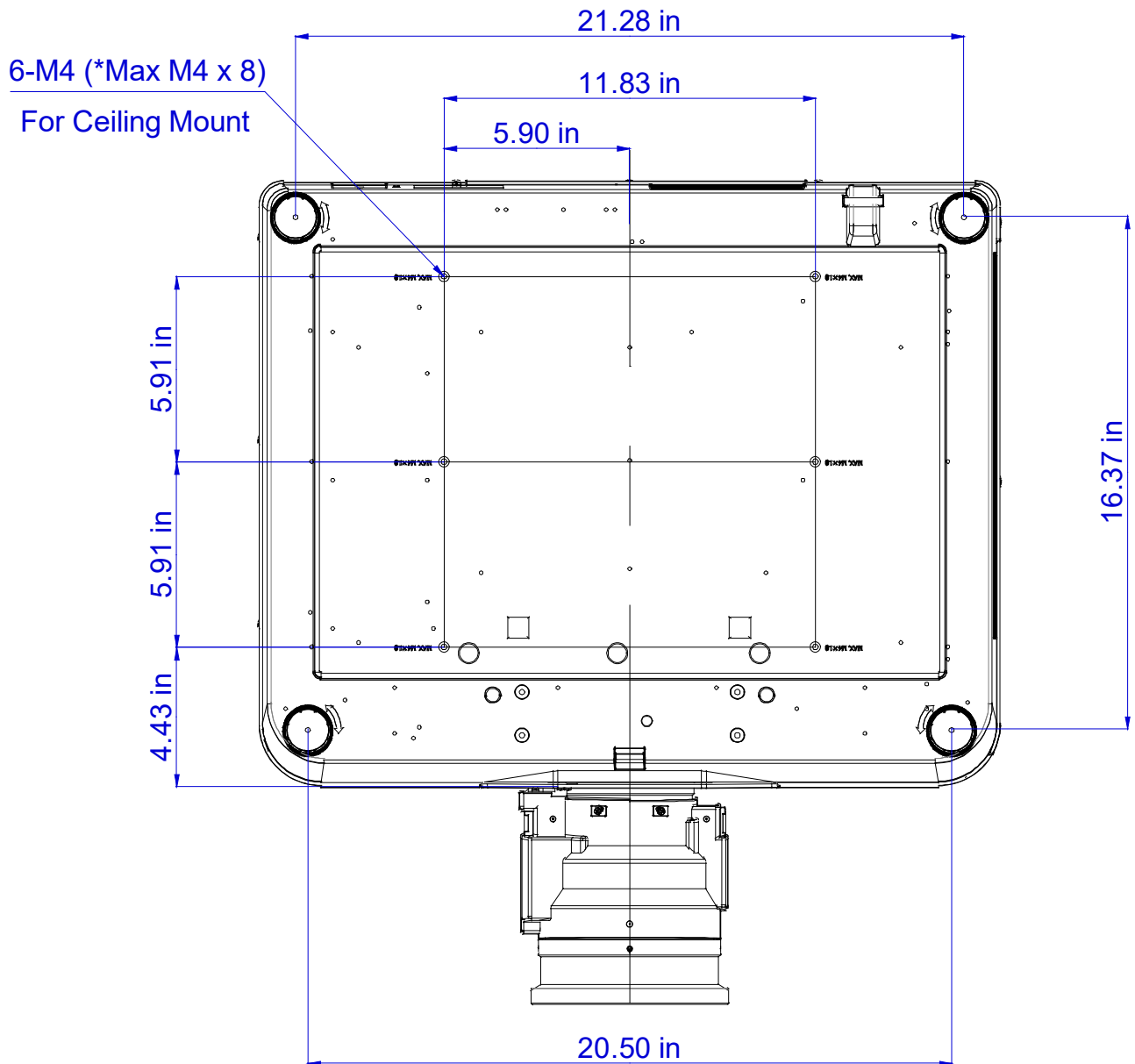


PA1505UL & PA1705UL Installation Guide

Rev 1.0

Desktop and Ceiling Mount

Cabinet Dimensions

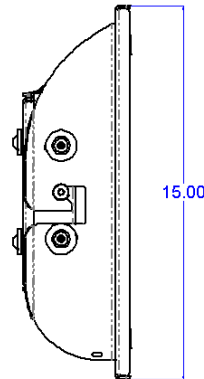
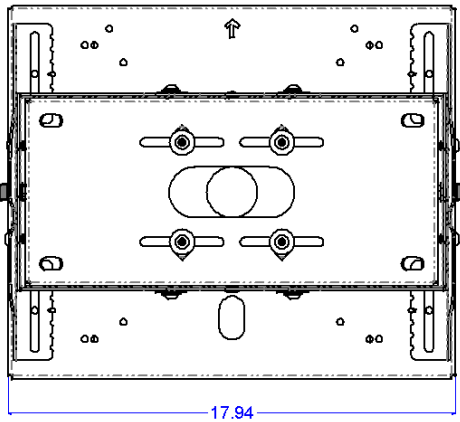
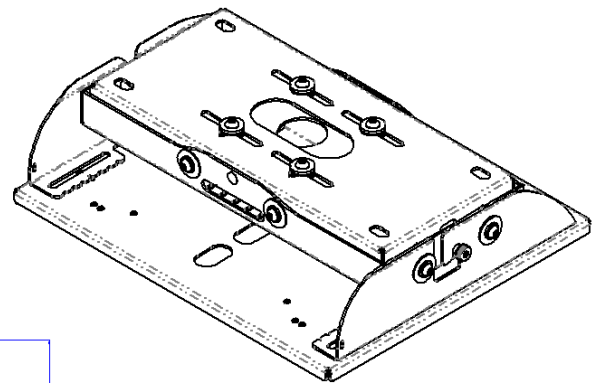
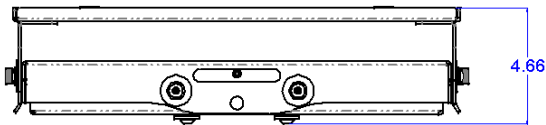


PA1505UL & PA1705UL Installation Guide

Rev 1.0

Desktop and Ceiling Mount

IPJ2000CM

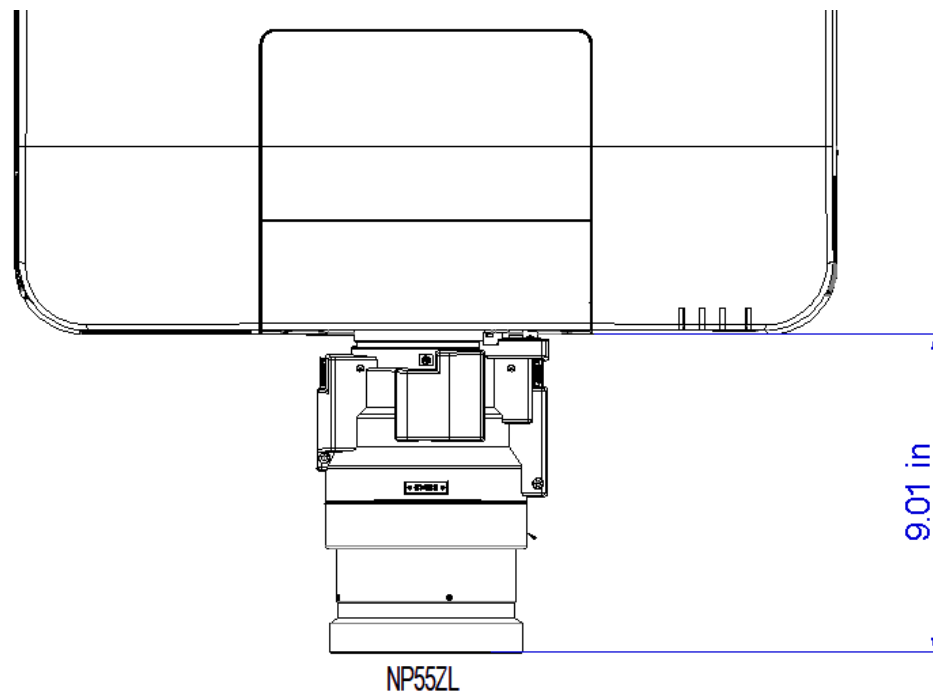
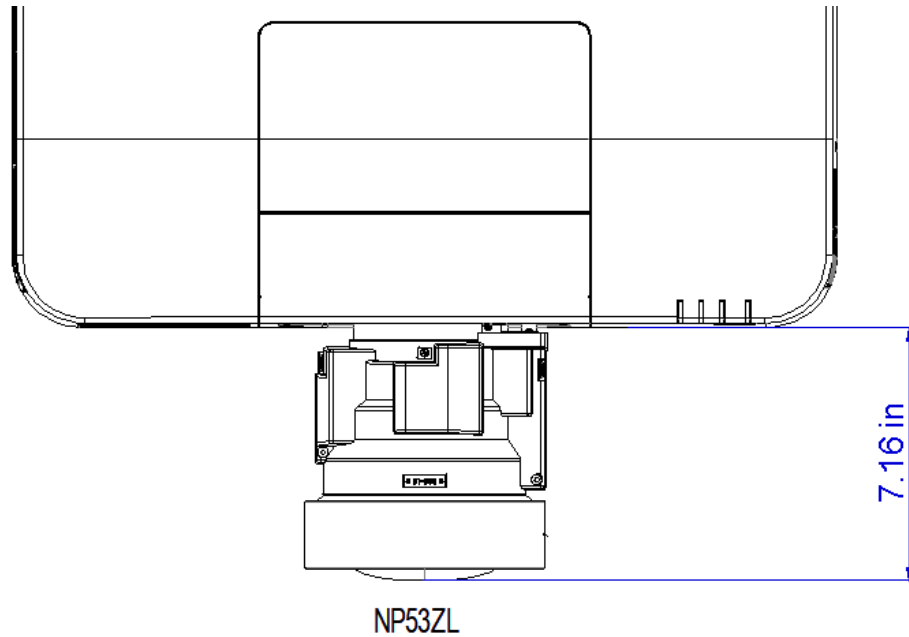


PA1505UL & PA1705UL Installation Guide

Rev 1.0

Desktop and Ceiling Mount

Optional Lens Dimensions (NP53ZL and NP55ZL)



PA1505UL & PA1705UL Installation Guide

Rev 1.0

Desktop and Ceiling Mount

Laser Regulations and Installation Guidelines

Laser Safety Caution

 WARNING

CLASS 1 LASER PRODUCT OF IEC 60825-1:2014

CLASS 1 CONSUMER LASER PRODUCT OF EN 60825-1:2014+A11:2021 (For EU and UK)

- The laser module is equipped in this product. Use of controls or adjustments of procedures other than those specified herein may result in hazardous radiation exposure.
Laser energy exposure near aperture may cause burns.

- This product is classified as Class 1 of IEC60825-1:2014.
- For EU and UK, EN 60825-1:2014+A11:2021 and EN 50689:2021 are also conformed.
Except using the lens of NP55ZL and NP56ZL.
- Obey the laws and regulations of your country in relation to the installation and management of the device.

For USA

Complies with 21 CFR 1040.10 and 1040.11 except for conformance as a Risk Group 2 LIP as defined in IEC 62471-5:Ed. 1.0. For more information see Laser Notice No. 57, dated May 8, 2019. However, when using the NP55ZL and NP56ZL lenses, the following applies.

This product is in conformity with performance standards for laser products under 21 CFR 1040, except with respect to those characteristics authorized by Variance Number 2018-V-4413 effective on March 1, 2019.

 WARNING

- Do not allow to look into the projector beam at any distance from the projector. An adult should supervise the children to prevent exposure risks.
- Check that there is no one looking at the lens, when using the remote control for starting the projector.
- Do not look at the projected light using optical devices(binoculars, telescopes, magnifying glasses, reflectors, etc).
- [WARNING: MOUNT ABOVE THE HEADS OF CHILDREN.]
The use of a ceiling mount is recommended with this product to place it above the eyes of children.

PA1505UL & PA1705UL Installation Guide

Rev 1.0

Desktop and Ceiling Mount

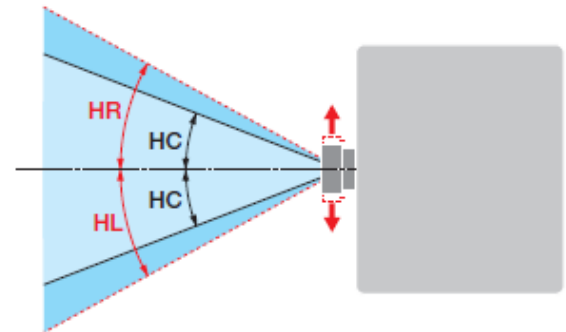
Laser Regulations and Installation Guidelines

Laser light radiation range

The figure below shows the maximum radiation range of the laser light.

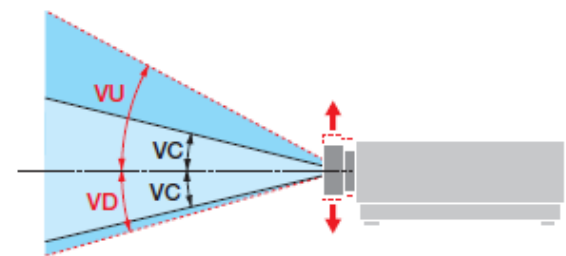
Horizontal angle (unit: degree)

Lens unit	Zoom	Lens position		
		Right most	Center (Reference value)	Left most
		HR	HC	HL
NP51ZL	Tele	47.6	36.4	47.6
	Wide	53.0	41.8	53.0
NP52ZL	Tele	40.6	29.3	40.6
	Wide	48.7	36.7	48.7
NP53ZL	Tele	32.8	21.4	32.8
	Wide	43.2	29.7	43.2
NP54ZL	Tele	21.9	13.7	21.9
	Wide	32.8	21.4	32.8
NP55ZL	Tele	11.6	7.1	11.6
	Wide	22.1	13.8	22.1
NP56ZL	Tele	6.5	4.0	6.5
	Wide	12.5	7.7	12.5



Vertical angle (unit: degree)

Lens unit	Zoom	Lens position		
		Upper most	Center (Reference value)	Lower most
		VU	VC	VD
NP51ZL	Tele	42.9	24.7	42.9
	Wide	48.4	29.2	48.4
NP52ZL	Tele	36.4	19.4	36.4
	Wide	44.4	25.0	44.4
NP53ZL	Tele	29.6	13.7	29.6
	Wide	39.6	19.6	39.6
NP54ZL	Tele	19.5	8.7	19.5
	Wide	29.6	13.7	29.6
NP55ZL	Tele	10.3	4.5	10.3
	Wide	19.7	8.7	19.7
NP56ZL	Tele	5.7	2.5	5.7
	Wide	11.1	4.8	11.1



PA1505UL & PA1705UL Installation Guide

Rev 1.0

Desktop and Ceiling Mount

Laser Regulations and Installation Guidelines

Risk groups

This projector is classified as either IEC/EN 62471-5:2015 risk group 2 or risk group 3 depending on the lens unit.

Risk group 2 (RG2)

 WARNING

As with any bright light source, do not stare into the beam, RG2 IEC/EN 62471-5:2015.

Risk group 3 (RG3)

 WARNING**RG3 PRODUCT OF IEC/EN 62471-5:2015**

- When classified as RG3, this projector is for professional use and must be installed in location where safety is assured. For this reason, be sure to consult your dealer as installation must be performed by a professional installer. Never try to install the projector by yourself. This may result in visual impairment etc.
- No direct exposure to the beam shall be permitted, RG3 IEC/EN 62471-5:2015.
- Do not look into the projector's lens. Serious damage to your eyes could result.
- Operators shall control access to the beam within the hazard distance or install the product at the height that will prevent exposures of spectators' eyes within the hazard distance.
- When turning on the power, operate from the side or rear of the projector (outside the hazard zone). Also, when turning on the power, make sure no one within the projection range is looking at the lens.

PA1505UL & PA1705UL Installation Guide

Rev 1.0

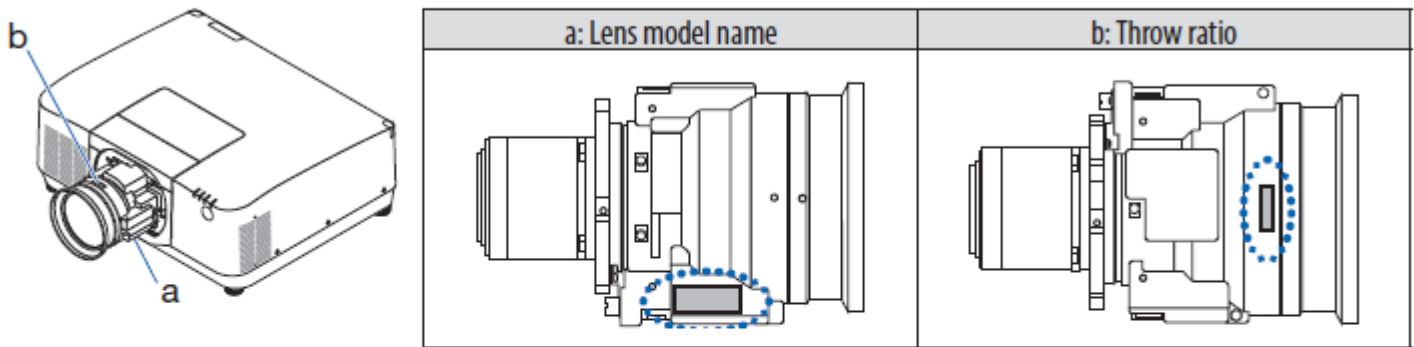
Desktop and Ceiling Mount

Laser Regulations and Installation Guidelines

• Check before installing the projector

① Lens model name or throw ratio

The lens model name and throw ratio are listed in the image below.



② Combining lens units and risk groups

Lens model name	Throw ratio	PA1705UL-W PA1705UL-B	PA1505UL-W PA1505UL-B
NP51ZL	0.53 - 0.65	RG2	RG2
NP52ZL	0.65 - 0.87		
NP53ZL	0.86 - 1.25		
NP54ZL	1.24 - 2.01	RG3	RG3
NP55ZL	1.98 - 3.95		
NP56ZL	3.92 - 7.50		

PA1505UL & PA1705UL Installation Guide

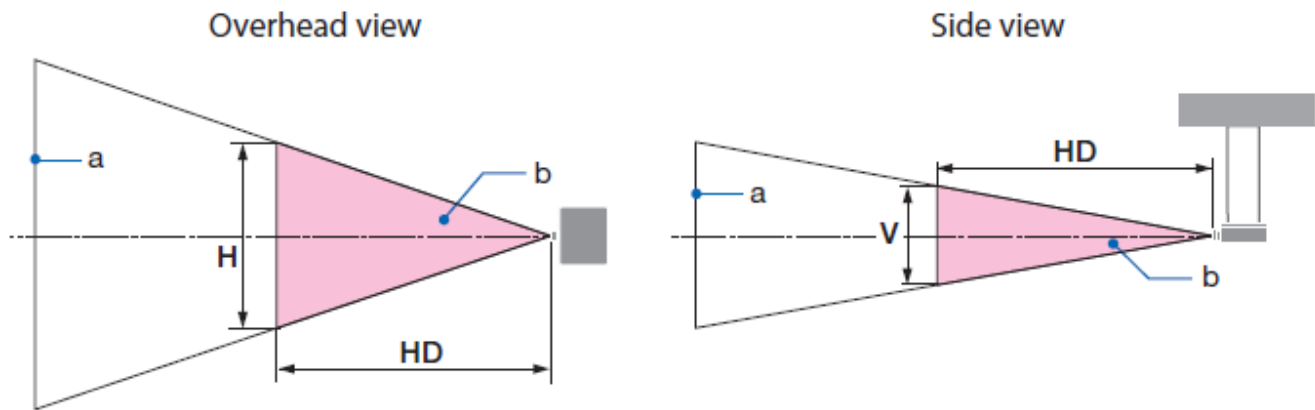
Rev 1.0

Desktop and Ceiling Mount

Laser Regulations and Installation Guidelines

• Hazard zone

The below figure describes the radiation zone (hazard zone) of light emitted by the projector that is classified as Risk Group 3 (RG3) of IEC/EN 62471-5:2015.



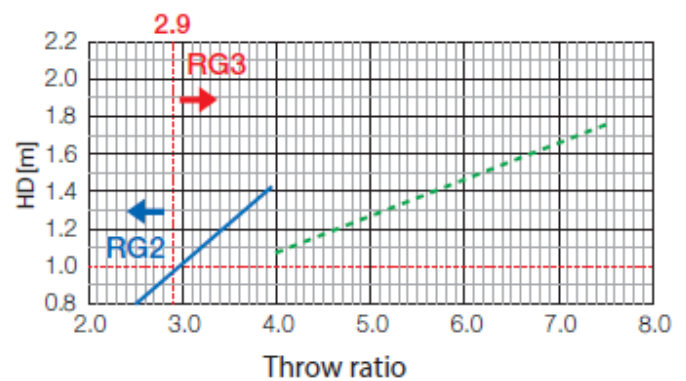
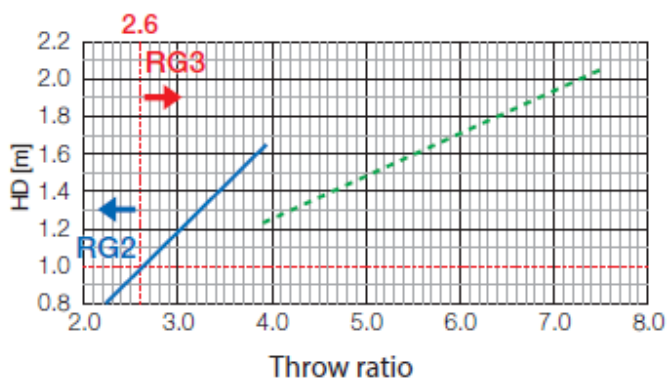
a: Screen / b: Hazard zone

PA1705UL-W/PA1705UL-B

Lens	Throw ratio	Hazard zone (m)		
		HD	H	V
NP55ZL	1.98 (Wide)	-	-	-
	2.60 (Middle)	1.00	0.4	0.3
	3.95 (Tele)	1.65	0.5	0.3
NP56ZL	3.92 (Wide)	1.23	0.3	0.2
	7.50 (Tele)	2.04	0.3	0.2

PA1505UL-W/PA1505UL-B

Lens	Throw ratio	Hazard zone (m)		
		HD	H	V
NP55ZL	1.98 (Wide)	-	-	-
	2.90 (Middle)	1.00	0.4	0.2
	3.95 (Tele)	1.43	0.4	0.3
NP56ZL	3.92 (Wide)	1.06	0.2	0.2
	7.50 (Tele)	1.75	0.2	0.2



— NP55ZL - - - - NP56ZL (Provisional value)

PA1505UL & PA1705UL Installation Guide

Rev 1.0

Desktop and Ceiling Mount

Laser Regulations and Installation Guidelines

• About the precautionary zone

By providing a precautionary zone or physical barriers, it is possible to prevent human eyes from entering the hazard zone.

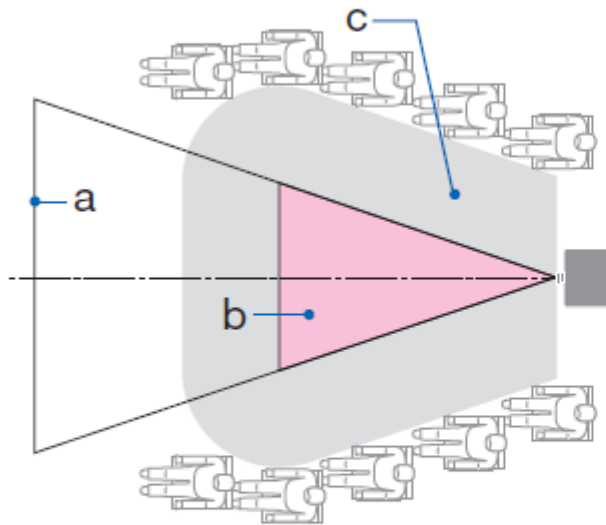
When the manager of the projector (operator) cannot prevent spectators from entering the hazard zone such as in public facilities, it is recommended to secure a space of 1 m or more from the hazard zone as "the precautionary zone" for the safety of the spectators. When installing the projector overhead, it is recommended that the distance between the floor and the hazard zone be at least 3 m in the vertical direction.

In the United States, provide a horizontal distance of 2.5 meters from the hazard zone.

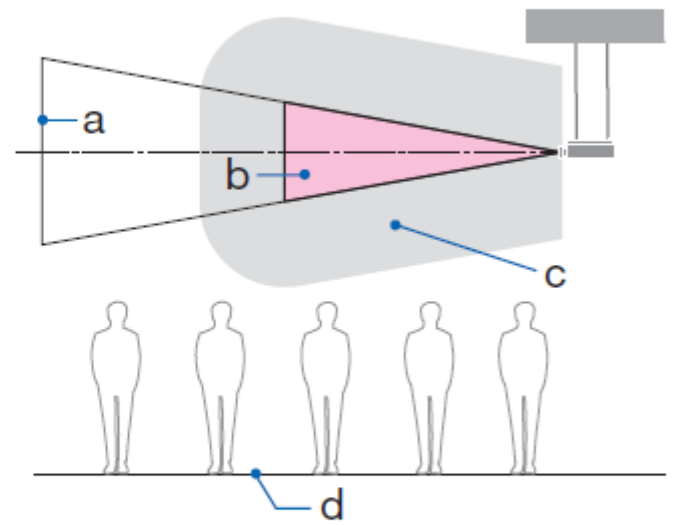
When installthe projector overhead, provide a vertical distance of 3 meters from the floor to the hazard zone.

• Installation example considering the precautionary zone

① Floor or desktop installation example



② Ceiling installation example



a: Screen / b: Hazard zone / c: Precautionary zone / d: floor



CAUTION

If it is expected that spectators will intrude into the hazard zone when installed on the ceiling, it is necessary to prevent spectators from entering that area.

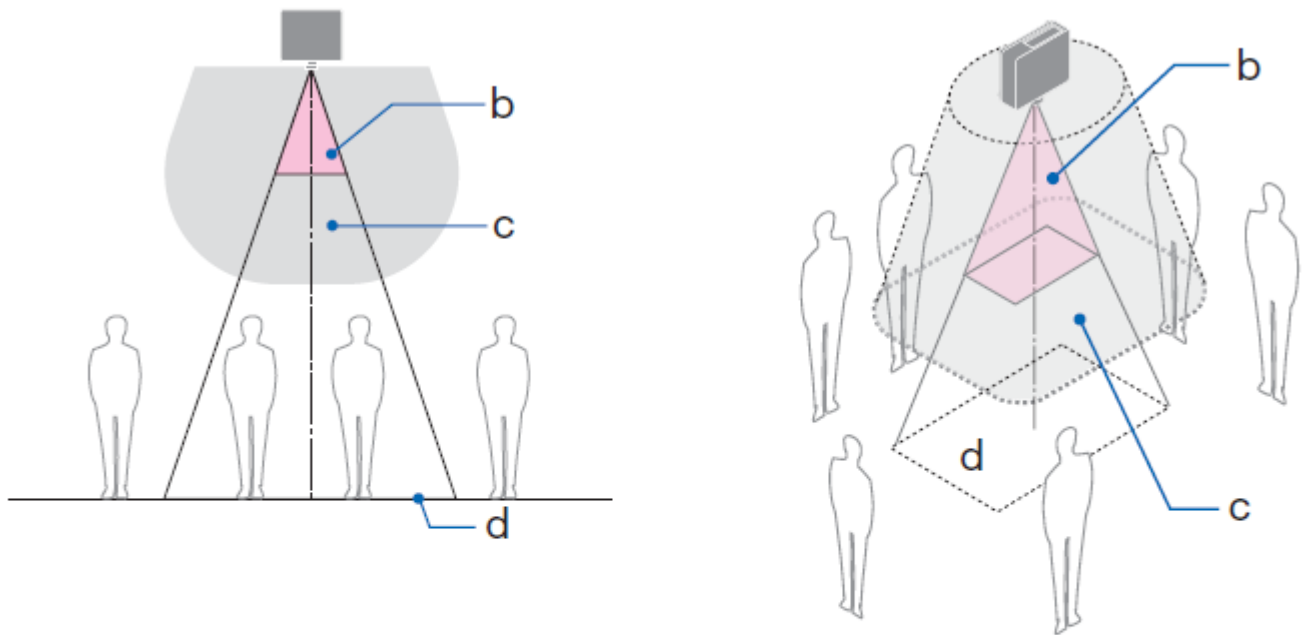
PA1505UL & PA1705UL Installation Guide

Rev 1.0


Desktop and Ceiling Mount

Laser Regulations and Installation Guidelines

③ Example of downward projection installed on the ceiling



a: Screen / b: Hazard zone / c: Precautionary zone / d: floor

 CAUTION	If the precautionary zone between the floor and the hazard zone cannot be secured, it is necessary to prevent spectators from entering the area around the screen as shown in the figure on the right.
--	--

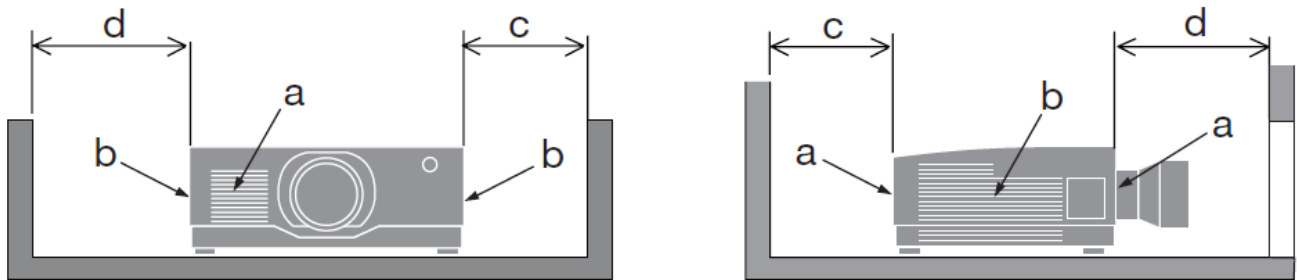
* If using lens shift, please consider the shift of projected image according to the volume of lens shift. Installation example considering the precautionary zone

PA1505UL & PA1705UL Installation Guide

Rev 1.0

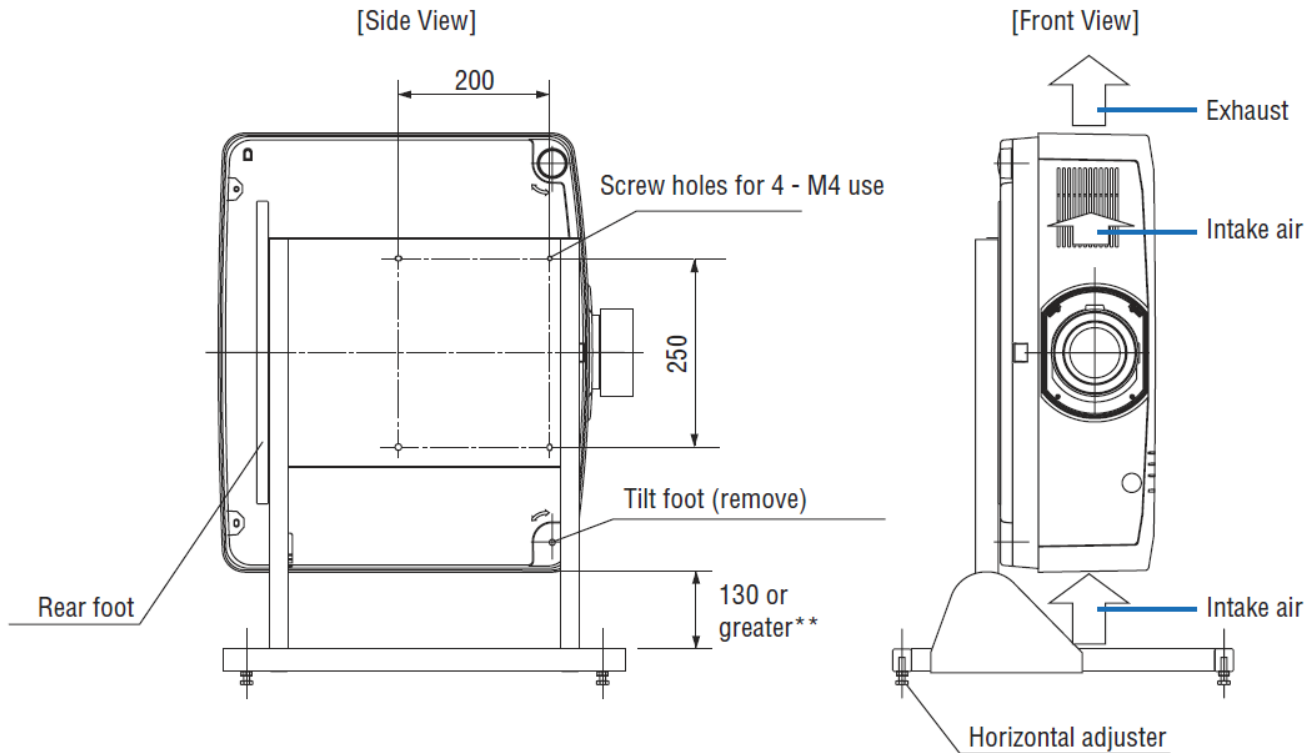
Desktop and Ceiling Mount

Ventilation Requirements



a: Intake vent / b: Exhaust vent / c: 20 cm/8" or greater / d: 30 cm/12" or greater

Portrait Requirements



PA1505UL & PA1705UL Installation Guide

Rev 1.0

Desktop and Ceiling Mount

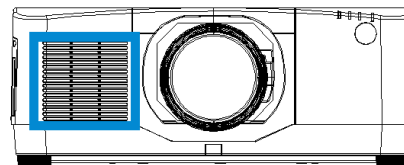
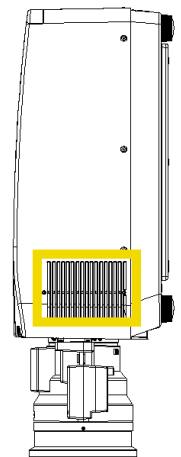
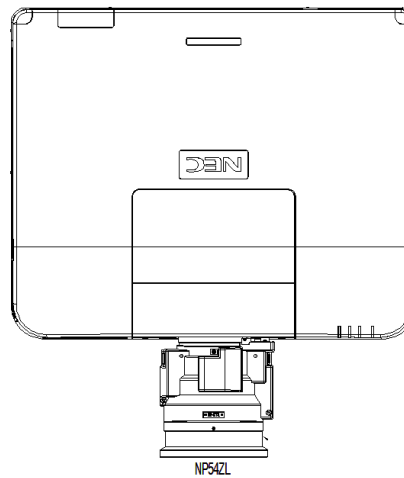
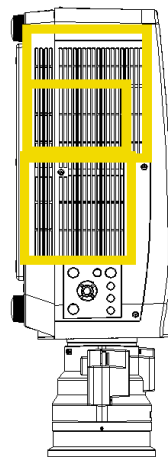
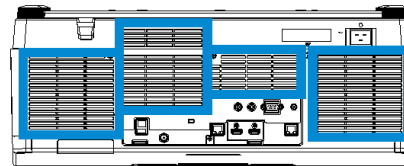
Airflow

NP-PA1505UL

Air volume

EX Air Total	
25deg	6.58 m3/min 232 CFM
Max	14.9 m3/min 526 CFM

IN Air Total	
25deg	3.66 m3/min 129 CFM
Max	7.6 m3/min 267 CFM



PA1505UL & PA1705UL Installation Guide

Rev 1.0

Desktop and Ceiling Mount

Airflow

NP-PA1705UL

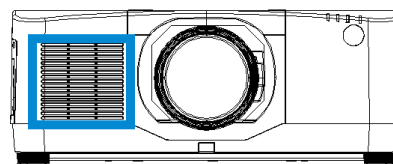
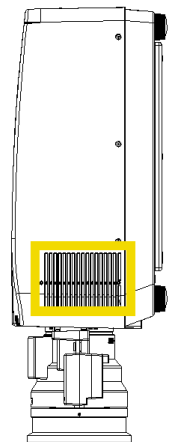
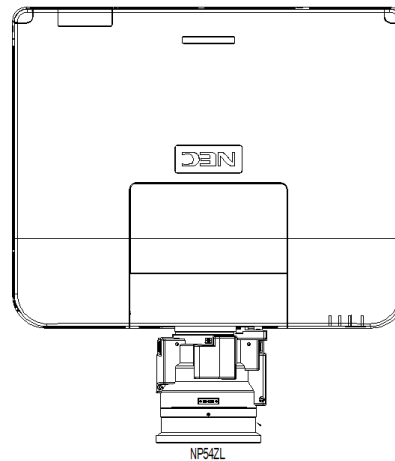
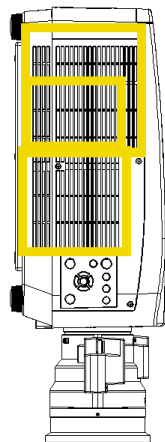
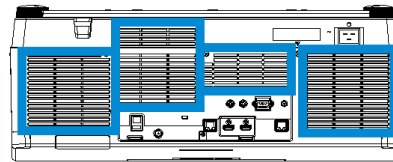
Air volume

EX Air Total

25deg	9.21 m3/min
	325 CFM
Max	14.9 m3/min
	526 CFM

IN Air Total

25deg	4.23 m3/min
	149 CFM
Max	7.6 m3/min
	267 CFM



PA1505UL & PA1705UL Installation Guide

Rev 1.0

Desktop and Ceiling Mount

Regulatory Labels

Label 1
Laser explanatory label

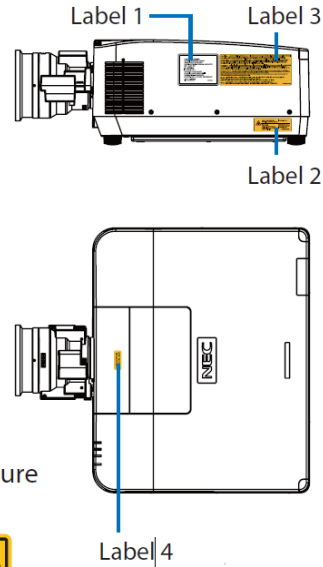


This product complies with EN 50689:2021 except using the lens of NP56ZL

Label 2
Laser explanatory label for USA



Label 4
Laser aperture label



Label 3
Lens replacement caution label

PA1705UL-W/PA1705UL-B

CAUTION < DO NOT STARE INTO THE BEAM : RG2 > THIS PROJECTOR MAY BECOME RG3 WHEN AN INTERCHANGEABLE LENS WITH THROW RATIO GREATER THAN 2.6 IS INSTALLED. REFER TO THE MANUAL FOR THE LENS LIST AND HAZARD DISTANCE BEFORE OPERATION. SUCH COMBINATIONS OF PROJECTOR AND LENS ARE INTENDED FOR PROFESSIONAL USE ONLY AND ARE NOT INTENDED FOR CONSUMER USE.

ATTENTION < NE PAS REGARDER DANS LE FAISCEAU : RG2 > CE PROJECTEUR PEUT DEVENIR RG3 LORSQU'UN OBJECTIF INTERCHANGEABLE AVEC UN RAPPORT DE PROJECTION SUPÉRIEUR À 2,6 EST INSTALLÉ. AVANT UTILISATION, REPORTEZ-VOUS AU MANUEL POUR TROUVER LA LISTE DES OBJECTIFS ET LA DISTANCE DE DANGER. CES COMBINAISONS DE PROJECTEUR ET D'OBJECTIF SONT DESTINÉES À UN USAGE PROFESSIONNEL UNIQUEMENT ET NE SONT PAS DESTINÉES À UNE UTILISATION GRAND PUBLIC.

VORSICHT < NICHT DIREKT IN DEN STRAHL BLICKEN : RG2 > DIESER PROJECTOR KANN IN DIE GRUPPE RG3 FALLEN, WENN EIN AUSTAUSCHBARES OBJEKTIV MIT EINEM BILDABSTANDSVERHÄLTNISS VON MEHR ALS 2,6 INSTALLIERT WIRD. BEACHTEN SIE VOR DEM BETRIEB DAS HANDBUCH FÜR EINE LISTE DER OBJEKTIVE UND ZU DEN GEFAHREBEREICHEN. SOLICHE KOMBINATIONEN AUS PROJECTOR UND OBJEKTIV SIND NUR FÜR DEN PROFESSIONELLEN EINSATZ UND NICHT FÜR ALLGEMEINE VERBRAUCHER BESTIMMT.

ВНИМАНИЕ < НЕ СМОТРИТЕ НА ЛУЧ : RG2 > ЭТОТ ПРОЕКТОР МОЖЕТ СТАТЬ RG3, ЕСЛИ УСТАНОВЛЕН СМЕННЫЙ ОБЪЕКТИВ С ПРОЕКЦИОННЫМ ЧИСЛОМ БОЛЬШЕ 2,6. ПЕРЕД НАЧАЛОМ РАБОТЫ ОБРАТИТЕСЬ К РУКОВОДСТВУ ПОЛЬЗОВАТЕЛЯ ДЛЯ ОЗНАКОМЛЕНИЯ СО СПИСОМ ОБЪЕКТИВОВ И ЗНАЧЕНИЕМ БЕЗОПАСНОГО РАССТОЯНИЯ. ДАННЫЕ КОМБИНАЦИИ ПРОЕКТОРА И ОБЪЕКТИВА ПРЕДНАЗНАЧЕНЫ ТОЛЬКО ДЛЯ ПРОФЕССИОНАЛЬНОГО ИСПОЛЬЗОВАНИЯ И НЕ ПРЕДНАЗНАЧЕНЫ ДЛЯ ИСПОЛЬЗОВАНИЯ ПОТРЕБИТЕЛЕМ.

주의 < 빔 응시 금지 : RG2 > 이 프로젝터는 투사율이 2.6보다 큰 교환식 렌즈가 설치된 경우 RG3이 될 수 있습니다. 사용 전 렌즈 목록 및 위험 거리에 대해서는 설명서를 참조하십시오. 프로젝터와 렌즈의 이러한 조합은 전문가용으로만 사용해야 하며 소비자용으로 사용해서는 안 됩니다.

警告 < 請勿直視光束 : RG2 > 在安裝了投射比大於 2.6 的互換式鏡頭時, 本投影儀可能變為 RG3。在操作前請參閱手冊瞭解鏡頭列表和危險距離。此投影儀和鏡頭的組合僅供專業用途, 不供客戶使用。

PA1505UL-W/PA1505UL-B

CAUTION < DO NOT STARE INTO THE BEAM : RG2 > THIS PROJECTOR MAY BECOME RG3 WHEN AN INTERCHANGEABLE LENS WITH THROW RATIO GREATER THAN 2.9 IS INSTALLED. REFER TO THE MANUAL FOR THE LENS LIST AND HAZARD DISTANCE BEFORE OPERATION. SUCH COMBINATIONS OF PROJECTOR AND LENS ARE INTENDED FOR PROFESSIONAL USE ONLY AND ARE NOT INTENDED FOR CONSUMER USE.

ATTENTION < NE PAS REGARDER DANS LE FAISCEAU : RG2 > CE PROJECTEUR PEUT DEVENIR RG3 LORSQU'UN OBJECTIF INTERCHANGEABLE AVEC UN RAPPORT DE PROJECTION SUPÉRIEUR À 2,9 EST INSTALLÉ. AVANT UTILISATION, REPORTEZ-VOUS AU MANUEL POUR TROUVER LA LISTE DES OBJECTIFS ET LA DISTANCE DE DANGER. CES COMBINAISONS DE PROJECTEUR ET D'OBJECTIF SONT DESTINÉES À UN USAGE PROFESSIONNEL UNIQUEMENT ET NE SONT PAS DESTINÉES À UNE UTILISATION GRAND PUBLIC.

VORSICHT < NICHT DIREKT IN DEN STRAHL BLICKEN : RG2 > DIESER PROJECTOR KANN IN DIE GRUPPE RG3 FALLEN, WENN EIN AUSTAUSCHBARES OBJEKTIV MIT EINEM BILDABSTANDSVERHÄLTNISS VON MEHR ALS 2,9 INSTALLIERT WIRD. BEACHTEN SIE VOR DEM BETRIEB DAS HANDBUCH FÜR EINE LISTE DER OBJEKTIVE UND ZU DEN GEFAHREBEREICHEN. SOLICHE KOMBINATIONEN AUS PROJECTOR UND OBJEKTIV SIND NUR FÜR DEN PROFESSIONELLEN EINSATZ UND NICHT FÜR ALLGEMEINE VERBRAUCHER BESTIMMT.

ВНИМАНИЕ < НЕ СМОТРИТЕ НА ЛУЧ : RG2 > ЭТОТ ПРОЕКТОР МОЖЕТ СТАТЬ RG3, ЕСЛИ УСТАНОВЛЕН СМЕННЫЙ ОБЪЕКТИВ С ПРОЕКЦИОННЫМ ЧИСЛОМ БОЛЬШЕ 2,9. ПЕРЕД НАЧАЛОМ РАБОТЫ ОБРАТИТЕСЬ К РУКОВОДСТВУ ПОЛЬЗОВАТЕЛЯ ДЛЯ ОЗНАКОМЛЕНИЯ СО СПИСОМ ОБЪЕКТИВОВ И ЗНАЧЕНИЕМ БЕЗОПАСНОГО РАССТОЯНИЯ. ДАННЫЕ КОМБИНАЦИИ ПРОЕКТОРА И ОБЪЕКТИВА ПРЕДНАЗНАЧЕНЫ ТОЛЬКО ДЛЯ ПРОФЕССИОНАЛЬНОГО ИСПОЛЬЗОВАНИЯ И НЕ ПРЕДНАЗНАЧЕНЫ ДЛЯ ИСПОЛЬЗОВАНИЯ ПОТРЕБИТЕЛЕМ.

주의 < 빔 응시 금지 : RG2 > 이 프로젝터는 투사율이 2.9보다 큰 교환식 렌즈가 설치된 경우 RG3이 될 수 있습니다. 사용 전 렌즈 목록 및 위험 거리에 대해서는 설명서를 참조하십시오. 프로젝터와 렌즈의 이러한 조합은 전문가용으로만 사용해야 하며 소비자용으로 사용해서는 안 됩니다.

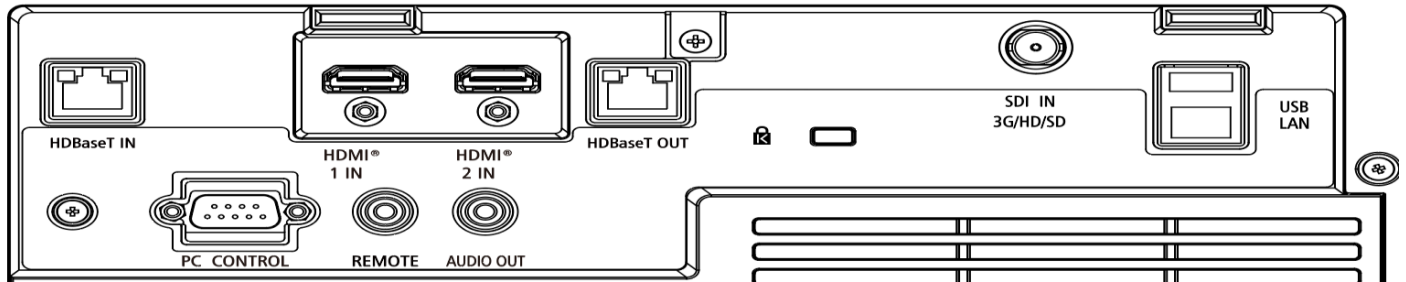
警告 < 請勿直視光束 : RG2 > 在安裝了投射比大於 2.9 的互換式鏡頭時, 本投影儀可能變為 RG3。在操作前請參閱手冊瞭解鏡頭列表和危險距離。此投影儀和鏡頭的組合僅供專業用途, 不供客戶使用。

PA1505UL & PA1705UL Installation Guide

Rev 1.0

Desktop and Ceiling Mount

Input Panel



PC Control Codes

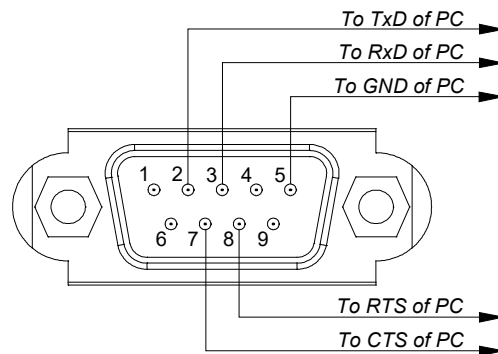
Function	Code Data
POWER ON	02H 00H 00H 00H 00H 02H
POWER OFF	02H 01H 00H 00H 00H 03H
INPUT SELECT HDMI1	02H 03H 00H 00H 02H 01H A1H A9H
INPUT SELECT HDMI2	02H 03H 00H 00H 02H 01H A2H AAH
INPUT SELECT HDBaseT	02H 03H 00H 00H 02H 01H BFH C7H
PICTURE MUTE ON	02H 10H 00H 00H 00H 12H
PICTURE MUTE OFF	02H 11H 00H 00H 00H 13H
SOUND MUTE ON	02H 12H 00H 00H 00H 14H
SOUND MUTE OFF	02H 13H 00H 00H 00H 15H
ON SCREEN MUTE ON	02H 14H 00H 00H 00H 16H
ON SCREEN MUTE OFF	02H 15H 00H 00H 00H 17H
AUTO ADJUST	02H 0FH 00H 00H 02H 05H 00H 18H

Cable Connection

Communication Protocol:

- Baud Rate: 38400 bps (for cable lengths longer than 20', it is recommended changing to 9600 bps in setup menu)
- Data Length: 8 bits
- Parity: No Parity
- Stop Bit: 1 bit
- X on/off: None
- Communications: Full duplex

PC Control Connector (D-Sub 9P)



NOTE 1: Pins 1, 4, 6, and 9 are used inside the projector.

NOTE 2: For long cable runs it is recommended to set communication speed within the projector to 9600 bps.

NOTE 3: Jumper "Request to Send" and "Clear to Send" together on both ends of the cable to simplify cable connection.