

Mora

17.2
CU.FT.

**COUNTER DEPTH
Bottom-Freezer REFRIGERATOR**

Model MRB172N6ASE Stainless Steel



- Fingerprint-resistant stainless-steel exterior for easy cleaning
- Full-width pantry drawer for spacious storage of deli items and more
- Gallon-size door bin for easy access
- Bright LED lighting makes it easy to find what you're looking for
- Electronic display allows you to quickly select the desired temperature
- Multi air-flow system provides even cooling
- Meets ENERGY STAR® standards, saving on energy costs
- Reliable quality backed by a 1-year warranty



True Counter Depth Size



LED Lighting



Full-width Drawer



Fingerprint Resistant



Gallon Door Storage

The Hisense 17.2 cu. ft. bottom-mounted refrigerator provides ample food storage space. A slim, modern design that fits into 33-inch-wide spaces. Just right for kitchens with limited floor space. A full-width pantry drawer is ideal for deli & cheese storage. Gallon-size door bins provide easy access to milk and beverage containers. Two full-width freezer drawers make it easy to organize your frozen foods.

All product, product specifications, and data are subject to change without notice to improve reliability, function, design or otherwise. ©2019 Hisense USA. All rights reserved.

Mora

17.2

CU.FT.

COUNTER DEPTH Bottom-Freezer REFRIGERATOR

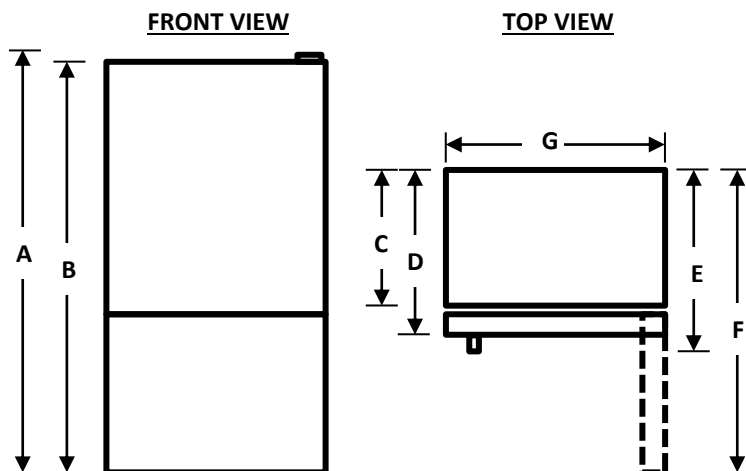
Model MRB172N6ASE (Stainless Steel)

TECHNICAL SPECIFICATIONS

| | |
|-------------------------------------|------------------------------|
| Performance | |
| Total Capacity (Ft³) | 17.2 |
| Refrigerator/ Freezer Capacity(Ft³) | 12.1 / 5.1 |
| Counter-Depth | Yes |
| Energy Efficiency Class | E/Star |
| Evaporator | Single |
| Noise Level (dB(A)) | 43 |
| General Features | |
| Control Type | Electronic |
| Super Freeze | Yes |
| Super cool | Yes |
| Energy saver | Yes |
| Door Alarm | Yes |
| Number of Doors | 2 |
| Reversible Doors | Yes |
| Door Design | Round |
| Handle | Grip |
| Door Material | Stainless Steel |
| Leveling Legs | Yes |
| Refrigerant | R600a |
| Refrigeration Compartment | |
| Temperature Range | 36°F to 46°F |
| Air Flow | Multi-Air Flow |
| Shelf | 2 Full Width Glass |
| Door Bins | 4 Half and 1 Full Gallon Bin |
| Door Bin Color | Transparent |
| Storage Drawer | 1 Full Width Drawer |
| Lighting | LED Top |
| Freezer Compartment | |
| Temperature Range | -11°F to 5°F |
| Drawers | 2 Full Extension |
| Drawer Shelf | No |
| Ice Maker | No |
| Lighting | No |
| Product | |
| Carton Dimensions (WxDxH)(in.) | 33.15 X 28.70 X 71.62 |
| Net Weight/Gross Weight (lbs.) | 196/214 |
| UPC Code | 810088361166 |

INSTALATION DIMENSION

| | | |
|-------------------|---|-------|
| Overall Dimension | Height to top of hinge(in.) A | 69.10 |
| | Height to top of case(in.) B | 68.50 |
| | Case depth without door(in.) C | 23.62 |
| | Case depth with door(in.) D | 27.01 |
| | Case depth with door handle (in.) E | 28.94 |
| | Depth with door open 90 degree (in.) F | 55.79 |
| | Width(in.) G | 31.10 |
| Air Clearance | Each side(in.) | 1.0 |
| | Top(in.) | 1.0 |
| | Back(in.) | 2.0 |



All product, product specifications, and data are subject to change without notice to improve reliability, function, design or otherwise.
©2020 Hisense USA. All rights reserved

Hisense USACorporation
7310 McGinnis Ferry Road, Suwanee, GA. 30024 1-877-465-3566
www.hisense-usa.com