



- Freezer/fridge convertible – use either freezer or fridge with just one click
- Garage ready in freezer mode – Designed to perform in temperatures between 0°F - 110°F
- Meets ENERGY STAR® standards, saving on energy costs
- Extra storage with 4 shelves, 2 drawers and 5 in-door bins make organization easy
- No longer a need to defrost your freezer. Hisense No frost technology ensures there is no frost build-up
- Adjustable shelves and door bins give easy access and leaves more room for storage
- LED lighting helps you easily find whatever you're looking for, even in the dark.



- Fridge/Freezer Convertible
- 21CF Extra Large Capacity
- Garage Ready in freezer mode
- 4 Shelves, 2 Drawers and 5 In-door Bins

The Mora Garage Ready 21CF ENERGY STAR® full size upright freezer is a versatile product with the capability to convert between freezer and fridge with just one click. You can use it either as freezer or fridge whichever you like. 21 CF extra large capacity & multiple storage shelves and drawer allow you to maximize your storage. Also, this model is garage ready in freezer mode - designed and tested to perform in temperature between 0°F - 110°F. You don't have to worry about the utility bill because this model is energy star certified.

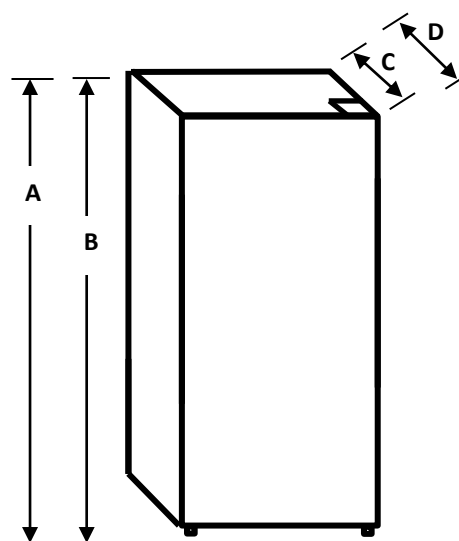
TECHNICAL SPECIFICATIONS

Performance	
Model#	MFU210N6AWE
Total Capacity (cu. ft)	21,2
Refrigerator/ Freezer Capacity (cu. ft)	0.0/21.2
Counter-Depth	No
Energy Efficiency Class	Energy Star
Noise Level (dB(A))	43
Evaporator	Single
General Features	
Temperature Control	Electronic
Super Freeze	Yes
Super cool	Yes
Lock	Yes
Energy Saver/Safety	Yes/UL
Color	White
Number of Doors	1
Reversible Doors	No
Door alarm	Yes
Flat-Back Design	Yes
Handle	Recessed
Foam Blowing Agent	Cyclopentane
Refrigerant	R600a
Adjustable Legs	Yes
Lighting	LED Top
Refrigeration Compartment	
Temperature Range	-11 ~ 7°F/36 ~ 46°F
Multi-flow Air	Yes
Door Basket/Bin	5 Full Width Bins
Shelves	4 Wire Shelves
Basket	2 Basket
Shipping Information	
Carton Dimensions (WxDxH)(in.)	34.7X30.6X79.9
Net Weight/GrossWeight (lbs.)	165/193 lbs
UPC Code	810088366697

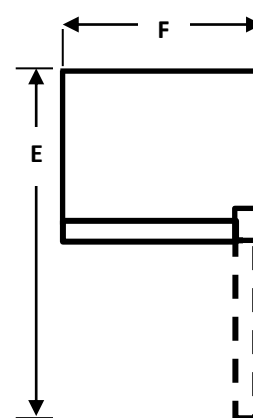
INSTALATION DIMENSION

Overall Dimension	Height to top of hinge(in.) A	76.3
	Height to top of case(in.) B	75.6
	Depth without door(in.) C	25.6
	Depth with door(in.) D	28.9
	Depth with door open 90-degree (in.) E	59.5
	Width(in.) F	32.7
Air Clearance	Each side(in.)	3.94
	Top(in.)	3.94
	Back(in.)	1.97~2.76

FRONT VIEW



TOP VIEW



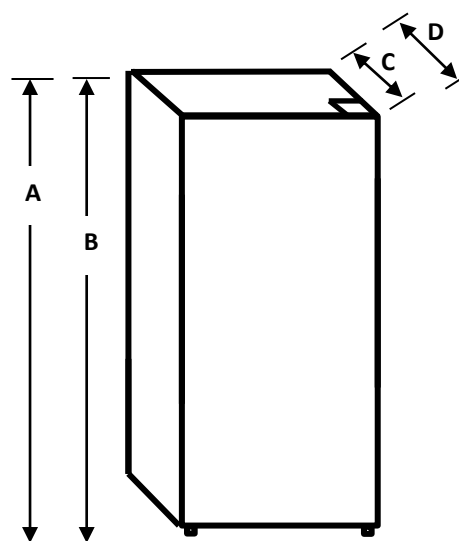
TECHNICAL SPECIFICATIONS

Performance	
Model#	MFU210N6AWE
Total Capacity (cu. ft)	21,2
Refrigerator/ Freezer Capacity (cu. ft)	0.0/21.2
Counter-Depth	No
Energy Efficiency Class	Energy Star
Noise Level (dB(A))	43
Evaporator	Single
General Features	
Temperature Control	Electronic
Super Freeze	Yes
Super cool	Yes
Lock	Yes
Energy Saver/Safety	Yes/UL
Color	White
Number of Doors	1
Reversible Doors	No
Door alarm	Yes
Flat-Back Design	Yes
Handle	Recessed
Foam Blowing Agent	Cyclopentane
Refrigerant	R600a
Adjustable Legs	Yes
Lighting	LED Top
Refrigeration Compartment	
Temperature Range	-11 ~ 7°F/36 ~ 46°F
Multi-flow Air	Yes
Door Basket/Bin	5 Full Width Bins
Shelves	4 Wire Shelves
Basket	2 Basket
Shipping Information	
Carton Dimensions (WxDxH)(in.)	34.7X30.6X79.9
Net Weight/GrossWeight (lbs.)	165/193 lbs
UPC Code	810088366697

INSTALATION DIMENSION

Overall Dimension	Height to top of hinge(in.) A	76.3
	Height to top of case(in.) B	75.6
	Depth without door(in.) C	25.6
	Depth with door(in.) D	28.9
	Depth with door open 90-degree (in.) E	59.5
	Width(in.) F	32.7
Air Clearance	Each side(in.)	3.94
	Top(in.)	3.94
	Back(in.)	1.97~2.76

FRONT VIEW



TOP VIEW

