

# 7", 10.1" and 15.6" Tablet and 10.1" Vue Wall Box Installation Manual

MWB-7-MCT/MWB-10-MCT/MWB-156-MCT/MWB-10-VUE/ MWB-10-BSBI



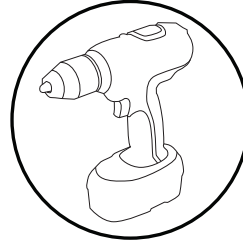
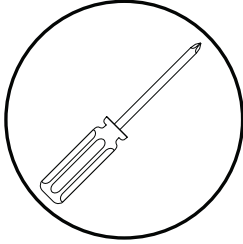
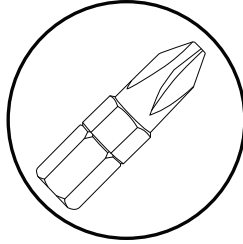
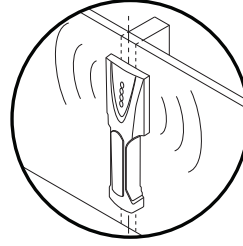
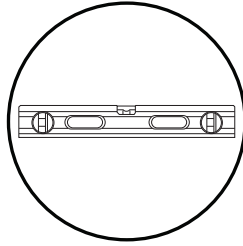
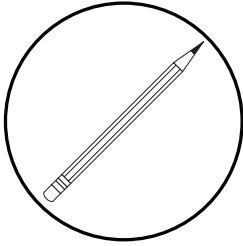
Tablet sold separately

*Specifically designed to fit  
our products seamlessly.*



Tablet sold separately

# Tools

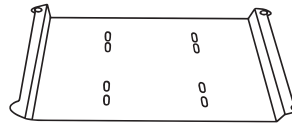


Parts (Before beginning, make sure you have all parts shown below)

Parts List		
	Description	Qty
A	in-wall box	1
B	Tablet/Display Mounting Plate	1
C	Front Bezel	1
D	Dry Wall Clips (Installed)	4
E	Dry Wall Clip Screws (Installed)	4
F	M4 x 6mm Screws	8

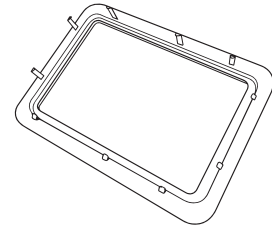
**B (4)**

Mounting Plate



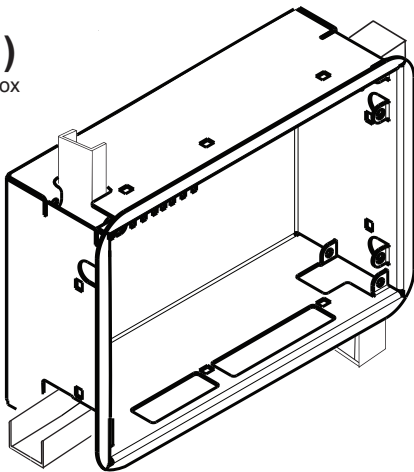
**C (2)**

Front Bezel



**A (1)**

in-wall box



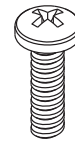
**D (2)**

Drywall Clips



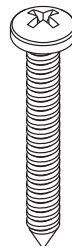
**F (2)**

Screws

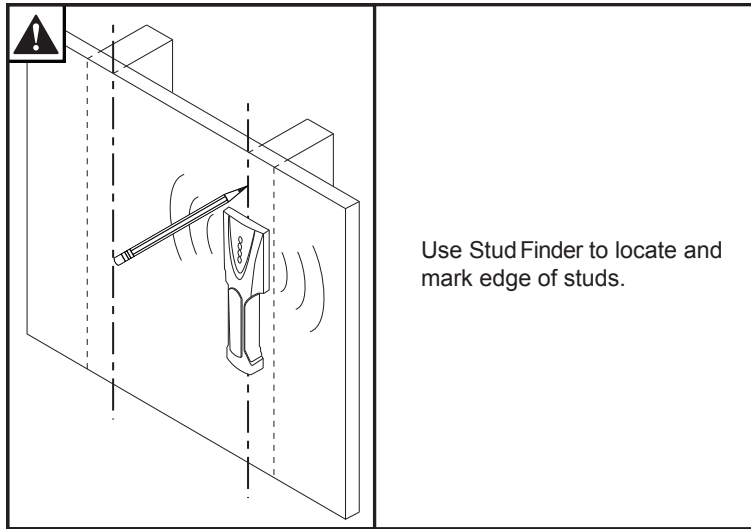
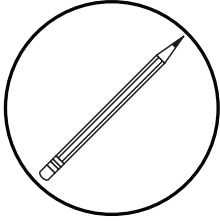
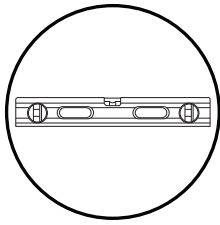
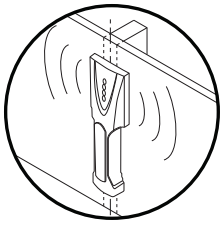


**E (2)**

Screws



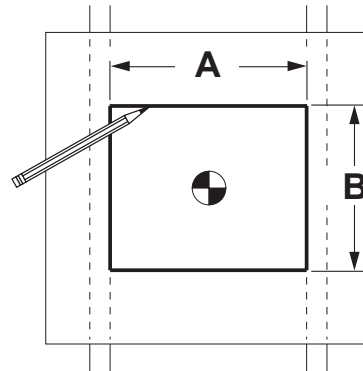
## 1-1



## 1-2a

The Mimo Monitor In-Wall Enclosure is designed to fit between studs in the vertical or horizontal direction. The 15.6" In-Wall Box in landscape mode will not fit between two 16" studs unless the studs are notched, see 1-2b below for details. So, it is advised to locate the studs in the area you are planning on installing the enclosure before you cut the drywall so you do not expose a stud by accident. Once you have located the studs on the left and right of where you are going to install the enclosure, cut the necessary hole in the drywall where you want the enclosure installed. Use the chart below to determine the size of the hole needed for the enclosure you are installing.

Enclosure	Landscape Mode	
	Drywall Hole Size to Cut	
	Width (A)	Height (B)
7" Tablet Enclosure	8 3/4"	5 7/8"
10.1" Tablet Enclosure	11 3/4"	8 1/4"
10.1" Vue Display Enclosure	11 3/4"	8 1/4"
15.6" Tablet Enclosure	16 3/4"	11"



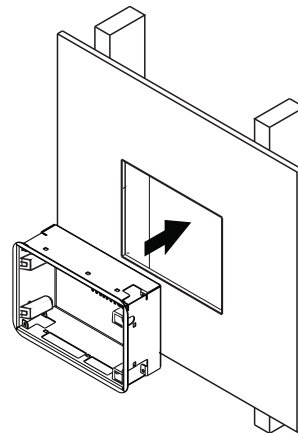
Using dimensions shown, draw outline for in-wall box. Make sure lines are level before removing drywall.

## 1-2b

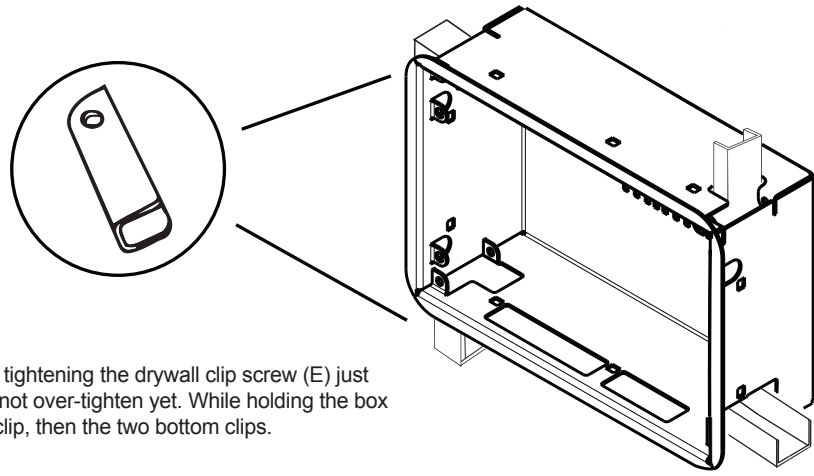
When installing the 15.6" Wall Box in landscape mode in a 16" on center stud wall, both studs will have to be notched out .875" (half of the 1.5" stud) by 11" (the height of the box) in order for the box to fit.

## 1-3

Insert wall box into hole in drywall with the clips on the inside of the box.

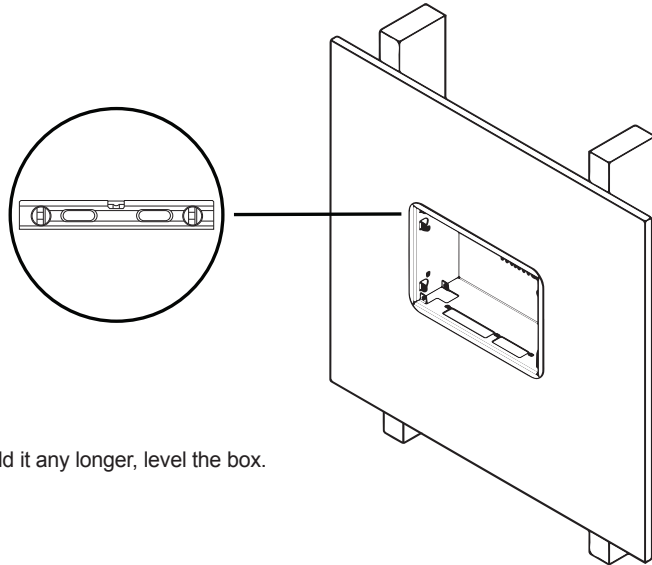


**1-4**



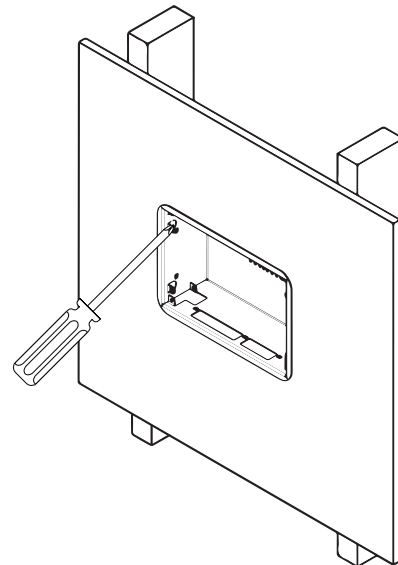
Rotate one of the top drywall clips (D) by tightening the drywall clip screw (E) just enough to secure the box to the wall, do not over-tighten yet. While holding the box in place, repeat this for the opposite top clip, then the two bottom clips.

**1-5**



Once box is secure enough that you don't need to hold it any longer, level the box.

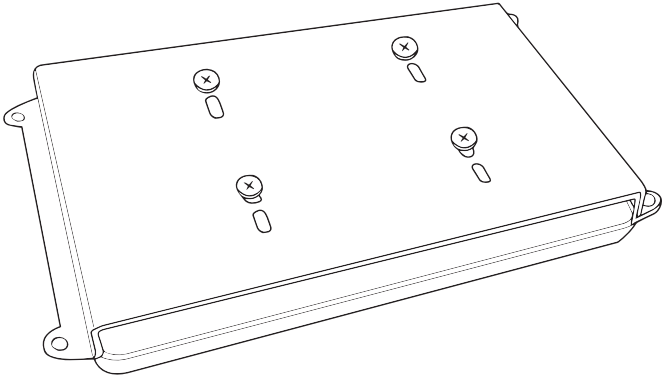
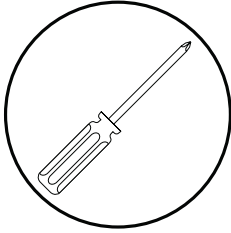
**1-6**



Once the box is level, tighten all four drywall screws (E) so that the enclosure is tightly held in place.

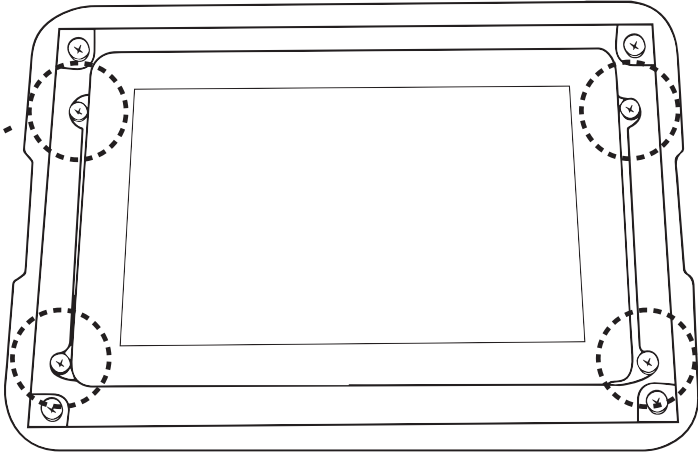
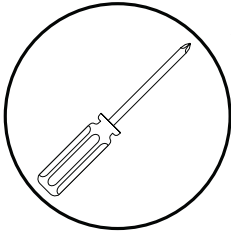
# 1-7

Mount the display to the adapter plate (B) using four M4 screws (F) provided and the Vesa 75 holes in the back of the display.



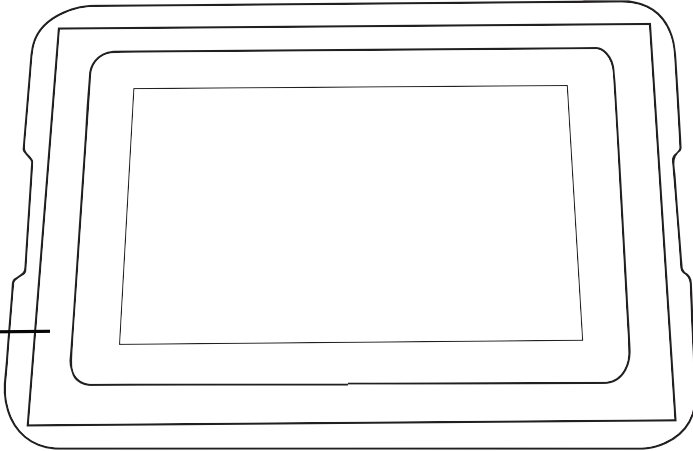
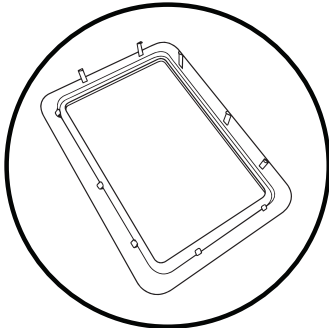
# 1-8

Mount the adapter plate (B) using four M4 screws (F) provided to the wall box.



# 1-9

Install the bezel (B) by aligning and pressing in place.



**Mimo Monitors**  
743 Alexander Rd. Suite 15  
Princeton, NJ 08540

info@mimomonitors.com  
Sales: **1-855-YES-MIMO (937-6466)**

2019-0521  
Rev 1 - 79047