

PORTABLE AIR CONDITIONER



~~OWNER'S MANUAL~~ OWNER'S MANUAL ENGLISH & ESPAÑOL



Model:

AKPD-14CR4

AKPD-14ER4

AKPD-14HR4

Inside you will find many helpful hints on how to use and maintain your air conditioner properly. Just a little preventative care on your part can save you a great deal of time and money over the life of your air conditioner. Before operating this product, please read the instructions carefully and save this manual for future use.

Read This Manual

Inside you will find many helpful hints on how to use and maintain your air conditioner properly. Just a little preventive care on your part can save you a great deal of time and money over the life of your air conditioner. You'll find many answers to common problems in the chart of troubleshooting tips. If you review our chart of Troubleshooting Tips first, you may not need to call for service at all.

CAUTION

- This appliance can be used by children aged from 8 years and above and persons with reduced physical, sensory or mental capabilities or lack of experience and knowledge if they have been given supervision or instruction concerning use of the appliance in a safe way and understand the hazards involved. Children shall not play the appliance. Cleaning and user maintenance shall not be made by children without supervision. (be applicable for the European Countries)
- This appliance is not intended for use by persons (including children) with reduced physical ,sensory or mental capabilities or lack of experience and knowledge, unless they have been given supervision or instruction concerning use of the appliance by a person responsible for their safety. (be applicable for other countries except the European Countries)
- Children should be supervised to ensure that they do not play with the appliance.
- If the supply cord is damaged, it must be replaced by the manufacturer, its service agent or similarly qualified persons in order to avoid a hazard.
- The appliance shall be installed in accordance with national wiring regulations.
- Do not operate your air conditioner in a wet room such as a bathroom or laundry room.
- The appliance with electric heater shall have at least 1 meter space to the combustible materials.
- Contact the authorised service technician for repair or maintenance of this unit.
- Contact the authorised installer for installation of this unit.

CONTENTS

SOCIABLE REMARK

Sociable remark.....2

SAFETY PRECAUTIONS

Safety rules3
Operating condition3
Electrical information4

IDENTIFICATION OF PARTS

Accessories4
Names of parts.....5

AIR CONDITIONER FEATURES

Electronic control operating instructions6

OPERATING INSTRUCTIONS

Operating instructions7

INSTALLATION INSTRUCTIONS

Location9
Window kit installation9
Exhaust hose installation12
Water drainage13

CARE AND MAINTENANCE

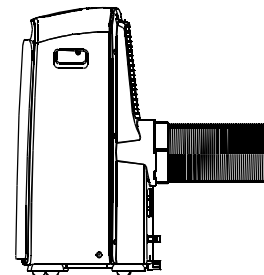
Care and maintenance14

TROUBLESHOOTING TIPS

Trouble shooting15

NOTE

The rating data indicated on the energy label is based on the testing condition of installing the un-extended air exhaust duct without adaptor A & B (The duct and the adaptor A & B are listed in the accessories chart of the Instruction Manual). See the right figure.



When using this air conditioner in the European countries, the following information must be followed:

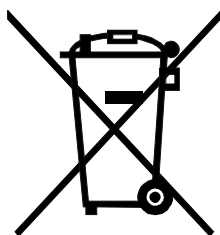
DISPOSAL: Do not dispose this product as unsorted municipal waste. Collection of such waste separately for special treatment is necessary.

It is prohibited to dispose of this appliance in domestic household waste.

For disposal, there are several possibilities:

- A) The municipality has established collection systems, where electronic waste can be disposed of at least free of charge to the user.
- B) When buying a new product, the retailer will take back the old product at least free of charge.
- C) The manufacture will take back the old appliance for disposal at least free of charge to the user.
- D) As old products contain valuable resources, they can be sold to scrap metal dealers.

Wild disposal of waste in forests and landscapes endangers your health when hazardous substances leak into the ground-water and find their way into the food chain.



CAUTION:

- This appliance is not intended for use by persons (including children) with reduced physical, sensory or mental capabilities, or lack of experience and knowledge, unless they have been given supervision or instruction concerning use of the appliance by a person responsible for their safety.
- Children should be supervised to ensure that they do not play with the appliance.

SAFETY PRECAUTIONS

Safety rules

To prevent injury to the user or other people and property damage, the following instructions must be followed. Incorrect operation due to ignoring of instructions may cause harm or damage.

ⓘ Always do this

- Your air conditioner should be used in such a way that it is protected from moisture. e.g. condensation, splashed water, etc. Do not place or store your air conditioner where it can fall or be pulled into water or any other liquid. Unplug immediately.
- Always transport your air conditioner in a vertical position and stand on a stable, level surface during use.
- Turn off the product when not in use.
- Always contact a qualified person to carry out repairs. If the supply cord is damaged it must be repaired by a qualified repairer.
- Keep an air path of at least 30cm all around the unit from walls, furniture and curtains.
- If the air conditioner is knocked over during use, turn off the unit and unplug from the mains supply immediately.

⊘ Never do this

- Do not operate your air conditioner in a wet room such as a bathroom or laundry room.
- Do not touch the unit with wet or damp hands or when barefoot.
- Do not press the buttons on the control panel with anything other than your fingers.
- Do not remove any fixed covers. Never use this appliance if it is not working properly, or if it has been dropped or damaged.
- Never use the plug to start and stop the unit.
- Always use the switch on the control panel.
- Do not cover or obstruct the inlet or outlet grilles.
- Do not use hazardous chemicals to clean or come into contact with the unit. Do not use the unit in the presence of inflammable substances or vapour such as alcohol, insecticides, petrol, etc.
- Do not allow children to operate the unit unsupervised.
- Do not use this product for functions other than those described in this instruction manual.

Energy Save

- Use the unit in the recommended room size.
- Locate the unit where furniture cannot obstruct the air flow.
- Keep blinds/curtains closed during the sunniest part of the day.
- Keep the filters clean.
- Keep doors and windows closed to keep cool air in and warm air out.

Operating condition

- The air conditioner must be operated within the temperature range indicated below:

MODE	ROOM TEMPERATURE
COOL	17°C(62°F)~35°C(95°F)
DRY	13°C(55°F)~35°C(95°F)
HEAT(heat pump type)	5°C(41°F)~30°C(88°F)
HEAT(electrical heat type)	≤30°C/88°F

Suggested tools for window kit installation

1. Screwdriver(medium size Phillips)
2. Tape measure or ruler
3. Knife or scissors
4. Saw(In the event that the window kit needs to be cut down in size because the window is too narrow for direct installation)

IDENTIFICATION OF PARTS

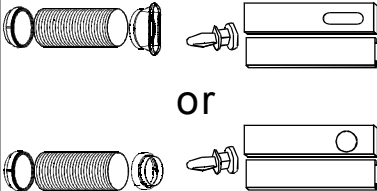


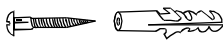

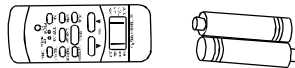
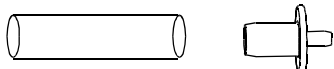
▲ WARNING For your safety

- Do not store or use gasoline or other flammable vapors and liquids in the vicinity of this or any other appliance.
- Avoid fire hazard or electric shock. Do not use an extension cord or an adaptor plug. Do not remove any prong from the power cord.

▲ WARNING Electrical Information

- Be sure the electrical service is adequate for the model you have chosen. This information can be found on the serial plate, which is located on the side of the cabinet and behind the grille.
- Be sure the air conditioner is properly grounded. To minimize shock and fire hazards, proper grounding is important. The power cord is equipped with a three-prong grounding plug for protection against shock hazards.
- Your air conditioner must be used in a properly grounded wall receptacle. If the wall receptacle you intend to use is not adequately grounded or protected by a time delay fuse or circuit breaker, have a qualified electrician install the proper receptacle.
- Ensure the receptacle is accessible after the unit installation.

Accessories

PARTS :	PARTS NAME :	QUANTITY :
	Exhaust hose and Apaptorl and Adaptor B (flat mouth or round mouth :depending on models) Window Slider Kit and bolt	1 set
	Wall Exhaust Adaptor A(※)	1 pc
	Adaptor B(round mouth)(※)	1 pc
	Expansion Plug and wooden screw(※)	4/ pc
	Foam seal	3/pc
	Remote Controller and Battery (For remote control models only)	1pc
	Drain hose and drain hose adaptor(※)	1pc

NOTE: Optional parts(※), some models without.

- Check all the accessories are included in the package and please refer to the installation instructions for their usage.

NOTE: All the illustrations in this manual are for explanation purpose only. Your air conditioner may be slightly different. The actual shape shall prevail.

IDENTIFICATION OF PARTS

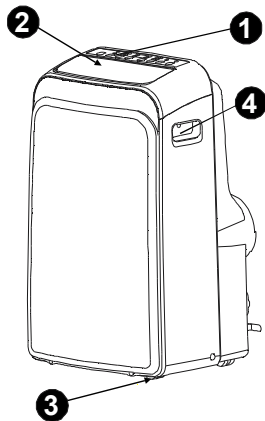


Fig.1

NAMES OF PARTS

Front

- ① Operation panel
- ② Horizontal louver blade (swing automatically)
- ③ Caster
- ④ Carrying handle (both sides)

Rear

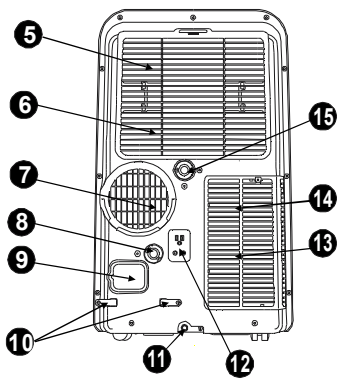


Fig.2

- ⑤ Upper air filter (Behind the grille)
- ⑥ Upper air intake
- ⑦ Air outlet
- ⑧ Drain outlet (only for Pump heating model)
- ⑨ Power cord outlet
- ⑩ Power cord buckle (Used only when storing the unit)
- ⑪ Bottom tray drain outlet
- ⑫ Power plug socket (Use only when storing the unit)
- ⑬ Lower air filter (Behind the grille)
- ⑭ Lower air intake
- ⑮ Drain outlet

AIR CONDITIONER FEATURES

ELECTRONIC CONTROL OPERATING INSTRUCTIONS

Before you begin, thoroughly familiarize yourself with the control panel and remote controller and all its functions, then follow the symbol for the functions you desire.

The unit can be controlled by the unit control panel alone or with the remote controller .

NOTE: This manual does not include Remote Controller Operations, see the <<Remote Controller Instruction>> packed with the unit for details.

OPERATION PANEL OF THE AIR CONDITIONER

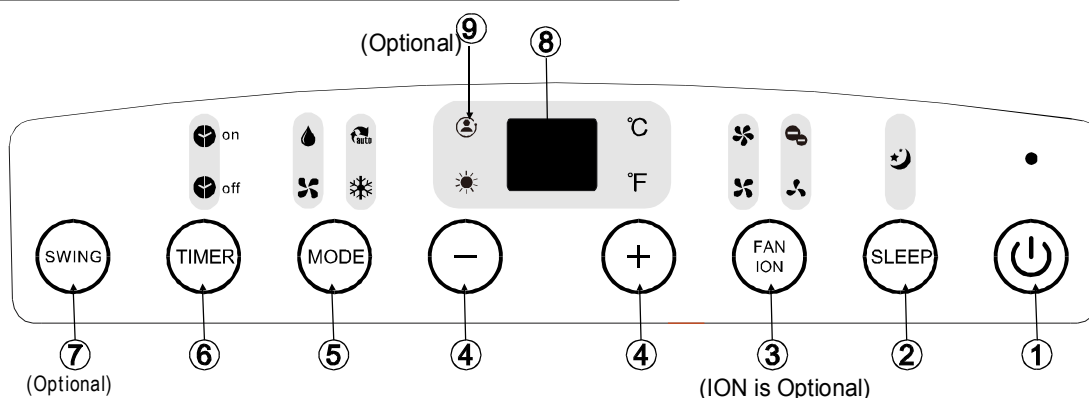


Fig.3

NOTE: On some models SLEEP button is instead of ECO button.

① POWER button

Power switch on/off.

② SLEEP/ECO button

Used to initiate the SLEEP/ECO operation.

③ FAN/ION button (ION is optional)

Control the fan speed. Press to select the fan speed in four steps-LOW, MED, HI and AUTO. The fan speed indicator light illuminates under different fan settings except AUTO speed. When select AUTO fan speed, all the fan indicator lights turn dark.

NOTE: Press this button for 3 seconds to initiate ION feature. The ion generator is energized and will help to remove pollen and impurities from the air, and trap them in the filter. Press it for 3 seconds again to stop the ION feature.

④ UP(+) and DOWN(-) button

Used to adjust (increasing/decreasing) temperature settings in 1°C/2°F (or 1°F) increments in a range of 17°C/62°F to 30°C/88°F (or 86°F) or the TIMER setting in a range of 0~24hrs.

NOTE: The control is capable of displaying temperature in degrees Fahrenheit or degrees Celsius. To convert from one to the other, press and hold the Up and Down buttons at the same time, for 3 seconds.

⑤ MODE select button

Selects the appropriate operating mode. Each time you press the button, a mode is selected in a sequence that goes from AUTO, COOL, DRY, FAN and HEAT (cooling only models without). The mode indicator light illuminates under the different mode settings.

⑥ TIMER button

Used to initiate the AUTO ON start time and AUTO OFF stop time program, in conjunction with the + & - buttons. The timer on/off indicator light illuminates under the timer on/off settings.

⑦ SWING button

(Applicable to the models with auto swing feature only)
Used to initiate the Auto swing feature. When the operation is ON, press the SWING button can stop the louver at the desired angle.

⑧ LED Display

Shows the set temperature in " °C " or " °F " and the Auto-timer settings. While on DRY and FAN modes, it shows the room temperature.

OPERATING INSTRUCTIONS

Error codes and protection code:

- E1-** Room temperature sensor error-
Unplug the unit and plug it back in.
If error repeats, call for service.
- E2-** Evaporator temperature sensor error-
Unplug the unit and plug it back in.
If error repeats, call for service.
- E3-** Condenser temperature sensor error-
Unplug the unit and plug it back in. If error repeats, call for service (on some models).
- E4-** *Display panel communication* error-
Unplug the unit and plug it back in.
If error repeats, call for service.
- P1-** Bottom tray is full - Connect the drain hose and drain the collected water away. If protection repeats, call for service.

9 FOLLOW ME/TEMP SENSING feature(optional)

NOTE: *This feature can be activated from the remote control ONLY. The remote control serves as a remote thermostat allowing for the precise temperature control at its location.*

To activate the Follow Me/Temp Sensing feature, point the remote control towards the unit and press the Follow Me/Temp Sensing button. The remote display is actual temperature at its location. The remote control will send this signal to the air conditioner every 3 minutes interval until press the Follow Me/Temp Sensing button again. If the unit does not receive the Follow Me/Temp Sensing signal during any 7 minutes interval, the unit will beep to indicate the Follow Me/Temp Sensing mode has ended.

Operating Instructions

COOL operation

- Press the "MODE" button until the "COOL" indicator light comes on.
- Press the ADJUST buttons "+" or "-" to select your desired room temperature. The temperature can be set within a range of 17°C-30°C/62°F-88°F (or 86°F).
- Press the "FAN SPEED" button to choose the fan speed.

HEAT operation(cooling only models without)

- Press the "MODE" button until the "HEAT" indicator light comes on.
- Press the ADJUST buttons "+" or "-" to select your desired room temperature. The temperature can be set within a range of 17°C-30°C/62°F-88°F (or 86°F).
- Press the "FAN SPEED" button to choose the fan speed. For some models, the fan speed can not be adjusted under HEAT mode.

- Press the "MODE" button until the "DRY" indicator light comes on.
- Under this mode, you cannot select a fan speed or adjust the temperature. The fan motor operates at LOW speed.
- Keep windows and doors closed for the best dehumidifying effect.
- Do not put the duct to window.

AUTO operation

- When you set the air conditioner in AUTO mode, it will automatically select cooling, heating(cooling only models without), or fan only operation depending on what temperature you have selected and the room temperature.
- The air conditioner will control room temperature automatically round the temperature point set by you.
- Under AUTO mode, you can not select the fan speed.

FAN operation

- Press the "MODE" button until the "FAN" indicator light comes on.
- Press the "FAN SPEED" button to choose the fan speed. The temperature cannot be adjusted.
- Do not put the duct to window.

TIMER operation

- When the unit is on, press the Timer button will initiate the Auto-off stop program, the TIMER OFF indicator light illuminates. Press the UP or down button to select the desired time. Press the TIMER button again within 5 seconds, the Auto-on start program is initiated. And the TIMER ON indicator light illuminates. Press the up or down button to select the desired Auto-on start time.
- When the unit is off, press the Timer button to initiate the Auto-on start program, press it again within five seconds will initiate the Auto-off stop program.
- Press or hold the UP or DOWN button to change the Auto time by 0.5 hour increments, up to 10 hours, then at 1 hour increments up to 24 hours. The control will count down the time remaining until start.
- The system will automatically revert back to display the previous temperature setting if there is no operation in a five seconds period.

OPERATING INSTRUCTIONS

- Turning the unit ON or OFF at any time or adjusting the timer setting to 0.0 will cancel the Auto Start/ Stop timer program.
- When the malfunction (E1,E2,E3 or E4) occurs, the Auto Start/Stop timed program will also be cancelled.

SLEEP/ECO operation

Press this button, the selected temperature will increase(cooling) or decrease(heating) by 1°C/2°F(or 1°F) 30 minutes.The temperature will then increase (cooling) or decrease (heating) by another 1°C/2°F(or 1°F) after an additional 30 minutes. This new temperature will be maintained for 7 hours before it returns to the originally selected temperature. This ends the Sleep/Eco mode and the unit will continue to operate as originally programmed.

NOTE: This feature is unavailabe under FAN or DRY mode.

Other features

Auto-Restart(on some models)

If the unit breaks off unexpectedly due to the power cut,it will restart with the previous function setting automatically when the power resumes.

Wait 3 minutes before resuming operation

After the unit has stopped, it can not be restarted operation in the first 3 minutes. This is to protect the unit. Operation will automatically start after 3 minutes.

Air flow direction adjustment

The louver can be adjusted automatically .

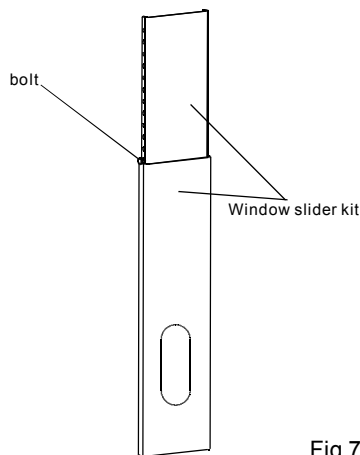
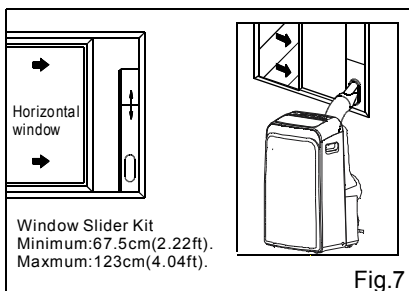
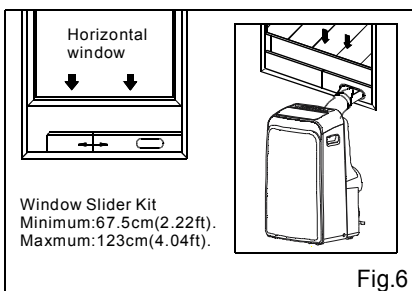
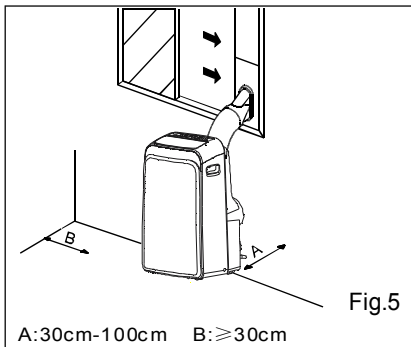
- **Adjust the air flow direction automatically (Fig.4):**

- When the Power is ON, the louver opens fully. Press the SWING button on the panel or remote controller to initiate the Auto swing feature.
- The louver willll swing up and down automatically.
- Please do not adjust the louver manually.



Fig.4

INSTALLATION INSTRUCTIONS(optional)



INSTALLATION INSTRUCTIONS

Location

- The air conditioner should be placed on a firm foundation to minimize noise and vibration. For safe and secure positioning, place the unit on a smooth, level floor strong enough to support the unit.
- The unit has casters to aid placement, but it should only be rolled on smooth, flat surfaces. Use caution when rolling on carpet surfaces. Do not attempt to roll the unit over objects.
- The unit must be placed within reach of a properly rated grounded socket.
- Never place any obstacles around the air inlet or outlet of the unit.
- Allow 30cm to 100cm of space from the wall with for efficient air-conditioning.

Window slider kit Installation

Your window slider kit has been designed to fit most standard "Vertical" and "horizontal" window applications, However, it may be necessary for you to improvise/modify some aspects of the installation procedures for certain types of window. Please refer to Fig. 6& Fig.7 for minimum and maximum window openings. Window slider kit can be fixed with a bolt (see Fig.7a).

Note: If the window opening is less than the mentioned minimum length of the window slider kit, cut that one with a hole in it short to fit for the window opening. Do never cut out the hole in window slider kit.

INSTALLATION INSTRUCTIONS(optional)

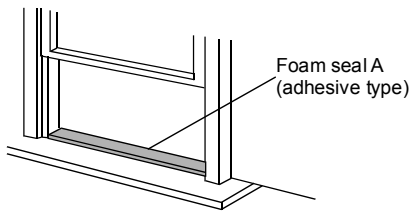


Fig.8

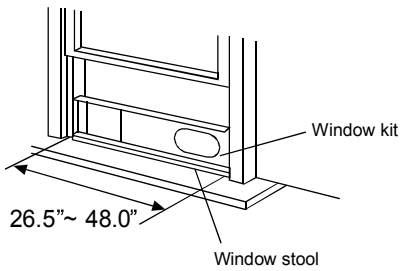


Fig.9

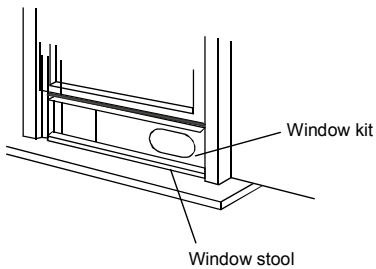


Fig.10

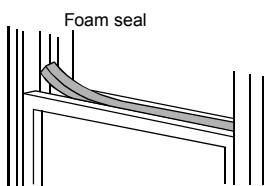


Fig.11

Installation in a double-hung sash window

1. Cut the foam seal(adhesive type) to the proper length and attach it to the window stool. Fig.8
2. Attach the window slider kit to the window stool. Adjust the length of the window slider kit according to the width of window, shorten the adjustable window kit if the width of window is less than 26.5 inches
Open the window sash and place the window slider kit on the window stool. Fig.9
3. Cut the foam seal(adhesive type) to the proper length and attach it on the top of the window. Shown as in Fig.10
4. Close the window sash securely against the window.
5. Cut the foam seal to an appropriate length and seal the open gap between the top window sash and outer window sash. Shown as in Fig.11.

INSTALLATION INSTRUCTIONS(optional)

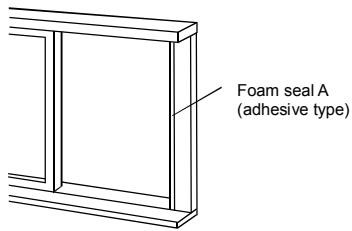


Fig.12

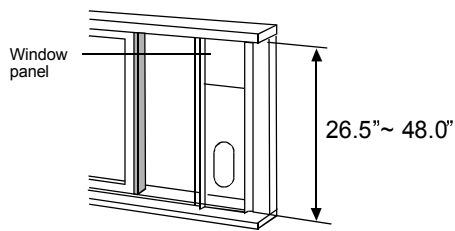


Fig.13

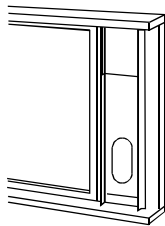


Fig.14

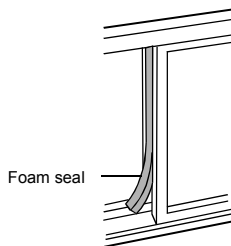


Fig.15

Installation in a sliding sash window

1. Cut the foam seal(adhesive type) to the proper length and attach it to the window frame. See Fig.12.
2. Attach the window slider kit to the window stool. Adjust the length of the window slider kit according to the width of window, shorten the adjustable window kit if the width of window is less than 26.5 inches. Open the window sash and place the window slider kit on the window stool. See Fig.13.
3. Cut the foam seal(adhesive type) to the proper length and attach it on the top of the window. Shown as in Fig.14.
4. Close the sliding sash securely against the window.
5. Cut the foam seal to an appropriate length and sea the open gap between the top window sash and outer window sash. Shown as in Fig.15.

NOTE:All the illustrations in this manual are for explanation purpose only. Your unit may be slightly different. The actual shape shall prevail.

INSTALLATION INSTRUCTIONS

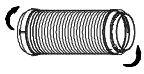


Fig. 16a

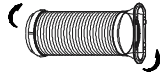


Fig. 16b

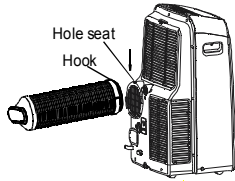


Fig. 17

Exhaust hose installation:

The exhaust hose and adaptor must be installed or removed in accordance with the usage mode.

COOL, HEAT (heat pump type) or AUTO mode	Install
FAN, DEHUMIDIFY or HEAT (electrical heat type)	Remove

1. Install the adaptor B and adaptor I onto the exhaust hose as shown in Fig. 16a or Fig. 16b. Refer to the previous pages for window kit installation.
2. Resert the hook of the Exhaust hose into the hole seat of the air outlet and slide down the Exhaust hose along the arrow direction (See Fig. 17) for installation.

The exhaust hose can be installed into the wall

(Not applicable to the units without adaptor A, expansion plugs and wooden screws of Accessories).

1. Prepare a hole in the wall. Install the wall Exhaust adaptor A onto the wall (outside) by using 4 expansion plugs and wooden screws, be sure to fix thoroughly. (See Fig. 18)
2. Attach the Exhaust hose to wall Exhaust adaptor A.

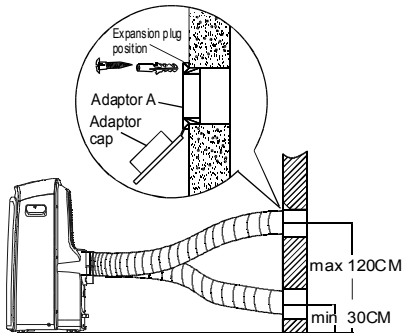


Fig. 18

Note:

Cover the hole using the adaptor cap when not in use.

- The exhaust hose can be compressed or extended moderately according to the installation requirement, but it is desirable to keep the hose length to a minimum.

IMPORTANT:

DO NOT OVER BEND THE EXHAUST HOSE (SEE Fig. 19)

⚠ CAUTION:

Make sure that there is no obstacle around the air outlet of the exhaust hose (in the range of 500mm) in order to the exhaust system works properly.

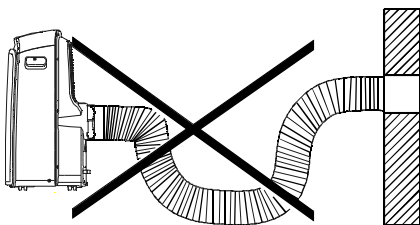


Fig. 19

INSTALLATION INSTRUCTIONS

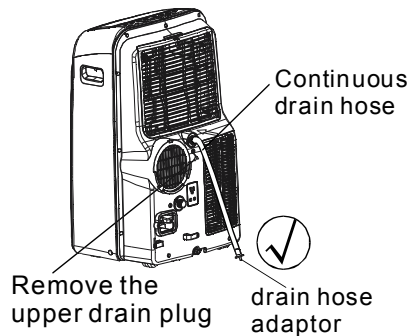


Fig.20a

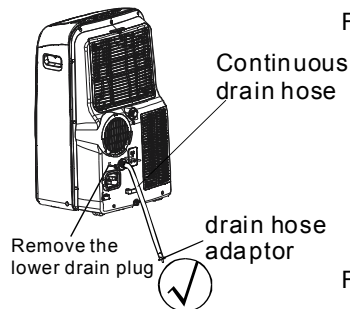


Fig.20b

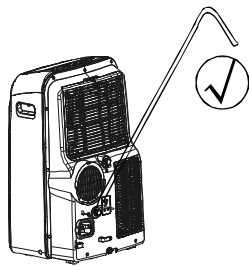


Fig.21a

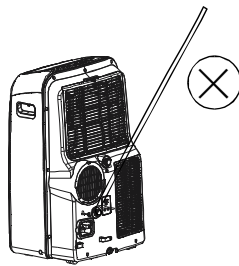


Fig.21b

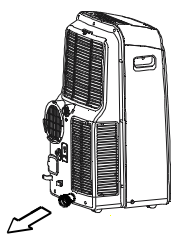


Fig.22

Water drainage:

- During dehumidifying modes, remove the upper drain plug from the back of the unit, install the drain connector(5/8" universal female mender) with 3/4" hose(locally purchased). For the models without drain connector, just attach the drain hose to the hole. Place the open end of the hose adaptor directly over the drain area in your basement floor. Please refer to Fig.20a.
- During heating pump mode, remove the lower drain plug from the back of the unit, install the drain connector(5/8" universal female mender) with 3/4" hose(locally purchased). For the models without drain connector, just attach the drain hose to the hole. Place the open end of the hose adaptor directly over the drain area in your basement floor. Please refer to Fig.20b.
NOTE: Make sure the hose is secure so there are no leaks. Direct the hose toward the drain, making sure that there are no kinks that will stop the water flowing. Place the end of the hose into the drain and make sure the end of the hose is down to let the water flow smoothly.(See Fig.20a,20b,21a). Do never let it up.(See Fig.21b).
- When the water level of the bottom tray reaches a predetermined level, the unit beeps 8 times, the digital display area shows "P1" . At this time the air conditioning/dehumidification process will immediately stop. However, the fan motor will continue to operate(this is normal). Carefully move the unit to a drain location, remove the bottom drain plug and let the water drain away(Fig.22). Reinstall the bottom drain plug and restart the machine until the "P1" symbol disappears. If the error repeats, call for service.
NOTE: Be sure to reinstall the bottom drain plug before using the unit.

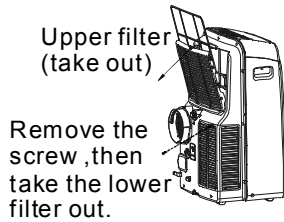


Fig.23

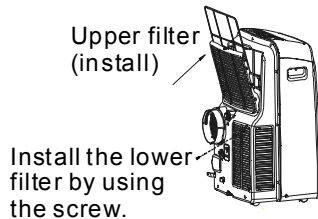


Fig.24

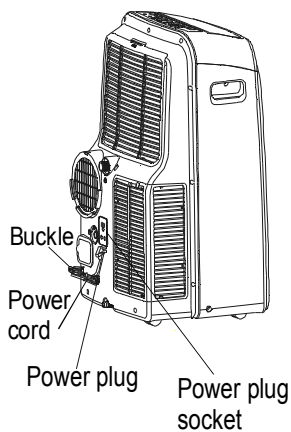


Fig.25

CARE AND MAINTENANCE

IMPORTANT:

- 1) Be sure to unplug the unit before cleaning or servicing.
- 2) Do not use gasoline, thinner or other chemicals to clean the unit.
- 3) Do not wash the unit directly under a tap or using a hose. It may cause electrical danger.
- 4) If the power cord is damaged, it should be repaired by manufacture or its agency.

1. Air filter

- Clean the air filter at least once every two weeks to prevent inferior fan operation because of dust.

- Removal

This unit has two filters. Take the upper filter out along the arrow direction (Fig.23), then take the filter down. Remove the lower filter by loosening the screw, taking out the filter as shown in Fig.23.

- Cleaning

Wash the air filter by immersing it gently in warm water (about 40°C/104°F) with a neutral detergent. Rinse the filter and dry it in a shady place.

- Mounting

Install the upper air filter after cleaning, and install the lower filter by using the screw (see Fig.24).

2. Unit enclosure

- Use a lint-free cloth soaked with neutral detergent to clean the unit enclosure. Finished by a dry clean cloth.

3. Unit idle for a long time

- Remove the rubber plug at the back of the unit and attach a hose to drain outlet. Place the open end of the hose directly over the drain area in your basement floor (See Fig.20 & 21).
- Remove the plug from the bottom drain outlet, all the water in the bottom tray would drain out (See Fig.22).
- Keep the appliance running on FAN mode for half a day in a warm room to dry the appliance inside and prevent mold forming.
- Stop the appliance and unplug it, wrapped the cord and bundle it with the tape (Fig.25). Remove the batteries from the remote controller.
- Clean the air filter and reinstall it.

TROUBLESHOOTING TIPS

TROUBLE SHOOTING

TROUBLES	POSSIBLE CAUSES	SUGGEST REMEDIES
1. Unit does not Start when Pressing on/off Button	- P1 appears in the display window	Drain the water in the bottom tray.
	- Room temperature is lower than the set temperature.(Cooling mode)	Reset the temperature.
2. Not cool enough	- The windows or doors in the room are not closed.	Make sure all the windows and doors are closed.
	- There are heat sources inside the room.	Remove the heat sources if possible.
	- Exhaust air duct is not connected or blocked.	Connect the duct and make sure it can function properly.
	- Temperature setting is too high.	Decrease the set temperature.
	- Air filter is blocked by dust.	Clean the air filter.
4. Noisy or vibration	- The ground is not level or not flat enough.	Place the unit on a flat, level ground if possible.
5. Gurgling sound	- The sound comes from the flowing of the refrigerant inside the air-conditioner.	It is normal.
6. Power shut off at Heating mode	- The automatic over heat protection function. When the temperature at the air outlet exceed 70°C/158°F,the device will stop.	Switch on again after the unit has cool down.

The design and specifications are subject to change without prior notice for product improvement. Consult with the sales agency or manufacturer for details.

AIRE ACONDICIONADO PORTATIL



MANUAL DEL USUARIO

ENGLISH & ESPAÑOL



Modelo:

AKPD-14CR4

AKPD-14ER4

AKPD-14HR4

En este manual usted puede encontrar muchas indicaciones útiles sobre cómo usar y mantener su aire acondicionado de manera correcta. Únicamente algunos cuidados preventivos en su máquina puede ahorrarle mucho tiempo y dinero durante la vida de su aire acondicionado. Antes del uso de este producto, por favor lea las instrucciones con cuidadosamente y guarde este manual para el uso en el futuro.

Leer este manual

En el interior usted encontrará muchos consejos útiles sobre cómo utilizar y mantener su acondicionador de aire. Sólo un poco de cuidado preventivo por su parte puede ahorrarle mucho tiempo y dinero durante la vida de su acondicionador de aire. Encontrará muchas respuestas a problemas comunes en la tabla de consejos para solucionar problemas. Si revisa primero nuestra Tabla de Consejos para Solucionar Problemas, posiblemente no necesita llamar al servicio técnico.

! PRECAUCIÓN!

- Este aparato puede ser utilizado por niños de 8 años o más y personas con capacidad física, sensorial o mental reducida o a falta de experiencia y conocimientos que hayan recibido supervisión o instrucción relativa al uso del aparato de una manera segura y comprenden los riesgos involucrados. Los niños no deben jugar el aparato. La limpieza y mantenimiento no serán hechos por niños sin supervisión. (Aplicable a los países europeos)
- Este aparato no está diseñado para ser usado por personas (incluidos niños) con capacidad física, sensorial o mental reducida, o a falta de experiencia y conocimientos, a menos que se les ha dado la supervisión o instrucción relativa al uso del aparato por una persona responsable de su seguridad. (aplicable a otros países con excepción de los países europeos)
- Los niños deben ser supervisados para garantizar que no jueguen con el aparato.
- Si el cable de alimentación está dañado, debe ser reemplazado por el fabricante, su agente de servicio o personal cualificado del mismo modo, con el fin de evitar un peligro.
- El aparato debe ser instalado de acuerdo con las regulaciones nacionales de cableado.
- No utilice el acondicionador de aire en un cuarto húmedo como un baño o lavadero.
- El aparato con calentador eléctrico deberá tener por lo menos 1 metro de espacio a los materiales combustibles.
- Póngase en contacto con el técnico de servicio autorizado para reparación o mantenimiento de esta unidad.
- Póngase en contacto con el instalador autorizado para instalar esta unidad.

CONTENIDOS

OBSERVACIÓN SOCIABLE

Observación sociable.....2

PRECAUCIONES DE SEGURIDAD

Reglas de seguridad3

Condiciones de funcionamiento3

Información eléctrica4

IDENTIFICACIÓN DE LAS PARTES

Accesorios4

Nombres de las Piezas.....5

CARACTERÍSTICAS DE ACONDICIONADOR DE AIRE

INSTRUCCIONES DE OPERACIÓN DE CONTROL ELECTRÓNICO6

INSTRUCCIONES DE OPERACIÓN

Instrucciones de operación7

INSTRUCCIONES DE INSTALACIÓN

Ubicación9

Instalación de kit de ventana9

Instalación de manguera de escape12

Drenaje de agua13

CUIDADO Y MANTENIMIENTO

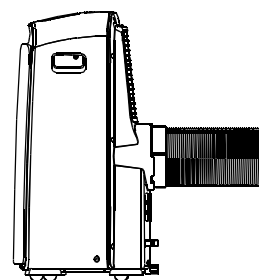
CUIDADO Y MANTENIMIENTO14

CONSEJOS PARA SOLUCIONAR PROBLEMAS

SOLUCIÓN DE PROBLEMAS15

NOTA

Los datos de potencia nominal indicados en la etiqueta de consumo energético se basa en las condiciones de prueba de la instalación del conducto de escape de aire no extendido sin adaptador A & B (el conducto y el adaptador A & B se enumeran en la tabla de accesorios del manual de instrucciones).



Cuando se utiliza este acondicionador de aire en los países europeos, la siguiente información se debe seguir:

ELIMINACIÓN: No deseche este producto como residuos municipales no clasificados. Es necesario recogerlo separadamente para tratamiento especial.

Está prohibido desechar este aparato en los residuos domésticos del hogar

Para su eliminación, hay varias posibilidades:

- a) El municipio ha establecido sistemas de recogida, donde los residuos electrónicos se pueden eliminar al menos sin cargo alguno para el usuario.
- b) Al comprar un nuevo producto, el minorista puede recuperar el producto viejo, al menos, de forma gratuita.
- c) El fabricante recuperará el aparato viejo para la eliminación al menos sin cargo alguno para el usuario.
- d) Dado que los productos viejos contienen recursos valiosos, ellos pueden ser vendidos a comerciantes de chatarra de metal.

La eliminación salvaje de residuos en bosques y paisajes pone en peligro su salud cuando sustancias peligrosas se filtren a las aguas subterráneas y encuentren su camino en la cadena alimentaria





PRECAUCIÓN:

- Este aparato no está diseñado para ser usado por personas (incluidos niños) con capacidad física, sensorial o mental reducida, o a falta de experiencia y conocimientos, a menos que se les ha dado la supervisión o instrucción relativa al uso del aparato por una persona responsable de su seguridad.
- Los niños deben ser supervisados para garantizar que no jueguen con el aparato.

PRECAUCIONES DE SEGURIDAD

Reglas de seguridad

Para evitar lesión al usuario u otras personas y daño a la propiedad, las siguientes instrucciones se deben seguir. La operación incorrecta por ignorar las instrucciones puede causar lesión o daño.

 Haga esto siempre	 Nunca haga esto
<ul style="list-style-type: none">• Su acondicionador de aire se debe utilizar de tal manera que está protegido contra la humedad, por ejemplo condensación, salpicadura de agua, y etc. No coloque ni guarde el acondicionador de aire en donde pueda caerse o ser tirado en el agua o cualquier otro líquido. Desenchufe inmediatamente.• Transporte siempre el acondicionador de aire en posición vertical y colóquelo sobre una superficie nivelada y estable durante su uso.• Apague el producto cuando no esté en uso.• Póngase siempre en contacto una persona calificada para llevar a cabo las reparaciones. Si el cable de alimentación está dañado, debe ser reparado por un reparador calificado.• Mantenga un espacio de aire de por lo menos 30 cm alrededor de la unidad a paredes, muebles y cortinas.• Si el acondicionador de aire se vuelca durante el uso, apague la unidad y desconecte de la red eléctrica inmediatamente.	<ul style="list-style-type: none">• No utilice el acondicionador de aire en un cuarto húmedo como un baño o lavadero.• No toque la unidad con las manos húmedas o mojadas o cuando estén descalzos.• No presione los botones del panel de control con algo que no sea su dedo.• No retire ninguna cubierta fija. Nunca use este aparato si no funciona correctamente o si se ha caído o dañado.• Nunca use el enchufe para encender y apagar la unidad.• Utilice siempre el interruptor en el panel de control.• No cubra ni obstruya las rejillas de entrada o salida.• No utilice productos químicos peligrosos para la limpieza o entrar en contacto con la unidad. No utilice la unidad en la presencia de sustancias inflamables o su vapor tales como alcohol, insecticidas, gasolina y etc.• No permita que los niños utilicen el aparato sin supervisión.• No utilice este producto para otras funciones distintas de las descritas en este manual de instrucciones.

Ahorro de energía

- Utilice la unidad en el tamaño de habitación recomendado.
- Coloque la unidad donde los muebles no pueden obstruir el flujo de aire.
- Mantenga las persianas/cortinas cerradas durante la parte más soleada del día.
- Mantenga limpios los filtros.
- Mantenga las puertas y ventanas cerradas para mantener el aire frío entrar y el aire caliente salir.

Condiciones de funcionamiento

El acondicionador de aire debe ser operado dentro del rango de temperatura indicado a continuación:

MODO	TEMPERATURA AMBIENTE
FRÍO	17°C (62°F)~35°C (95°F)
SECO	13°C (55°F)~35°C (95°F)
CALOR (tipo bomba de calor)	5°C (41°F)~ 30°C (88°F)
CALOR (tipo de calor eléctrico)	<30°C/88°F

Herramientas recomendadas para la instalación del kit de ventana

1. Destornillador (Phillips de tamaño medio)
2. Cinta métrica o regla
3. Cuchillo o tijeras
4. Sierra (En el caso de que el kit de ventana necesita ser cortado en el tamaño porque la ventana es demasiado angosta para la instalación directa)

IDENTIFICACIÓN DE LAS PARTES

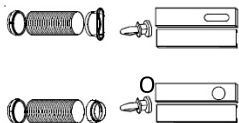


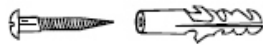


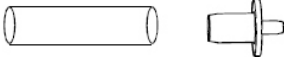
ADVERTENCIA Para su seguridad

- No almacene ni utilice gasolina u otros vapores y líquidos inflamables en la proximidad de este o cualquier otro aparato.
- Evite riesgo de fuego o descarga eléctrica. No utilice un cable de extensión ni un enchufe adaptador. No retire ninguna clavija del cable de alimentación.

ADVERTENCIA Información eléctrica

- Asegúrese de que el servicio eléctrico sea adecuado para el modelo que ha elegido. Esta información se puede encontrar en la placa de serie, que se encuentra en el lado de la carcasa y detrás de la rejilla.
- Asegúrese de que el acondicionador de aire está correctamente conectado a tierra. Para minimizar los riesgos de descarga eléctrica y fuego, la conexión correcta a tierra es importante. El cable de alimentación está equipado con un enchufe a tierra de tres clavijas para protección contra riesgos de descarga eléctrica.
- El acondicionador de aire debe ser utilizado en un tomacorriente de pared adecuadamente puesto a tierra. Si el tomacorriente que quiere utilizar no está adecuadamente conectado a tierra o protegido por un fusible de retardo o interruptor de circuito, pida a un electricista calificado que instale el tomacorriente adecuado.
- Asegúrese de que el tomacorriente sea accesible después de la instalación de la unidad.

Accesorios

PARTES:	NOMBRE DE PARTE	CANTIDAD:
	Manguera de escape y Adaptador A y adaptador B (boca plana o boca redonda: dependiendo del modelo) Kit Ventana deslizante y perno	1 juego
	Adaptador escape pared A(※)	1 pieza
	Adaptador B(boca redonda)(※)	1 pieza
	Taco de expansión y tornillo de madera (※)	4pieza
	Sello de espuma	3pieza
	Mando a distancia y pilas (Para los modelos de control remoto solamente)	1pieza
	Manguera de drenaje y adaptador de manguera de drenaje (※)	1pieza

NOTA: Piezas opcionales (※), Algunos modelos no las tienen

- Compruebe que todos los accesorios están incluidos en el paquete y por favor, consulte las instrucciones de instalación para su uso

NOTA: Todas las ilustraciones de este manual son para fines de explicación solamente. Su acondicionador de aire puede ser un poco diferente. La forma real prevalecerá.

IDENTIFICACIÓN DE LAS PARTES

Nombres de las Piezas

Parte delantera

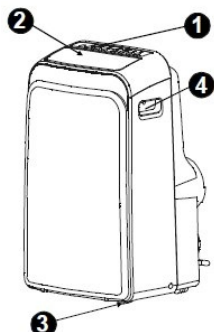


Fig.1

- ① Panel de control
- ② Hoja de persiana horizontal
(oscilar automáticamente)
- ③ Rueda
- ④ Asa de transporte
(ambos lados)

Parte posterior

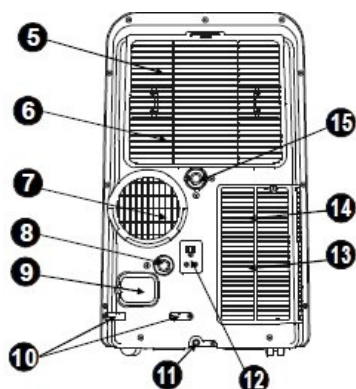


Fig.2

- ⑤ Filtro de aire superior
(Detrás de la rejilla)
- ⑥ Toma de aire superior
- ⑦ Toma de aire
- ⑧ Salida de drenaje (sólo para modelo de calefacción de bombeo)
- ⑨ Salida del cable de alimentación
- ⑩ Hebilla del cable de alimentación (Sólo se utiliza al almacenar la unidad)
- ⑪ Salida de drenaje de bandeja inferior
- ⑫ Caja de enchufe (Sólo se utiliza al almacenar la unidad)
- ⑬ Filtro de aire inferior
(Detrás de la rejilla)
- ⑭ Toma de aire inferior
- ⑮ Salida de drenaje

CARACTERÍSTICAS DE ACONDICIONADOR DE AIRE

INSTRUCCIONES DE OPERACIÓN DE CONTROL ELECTRÓNICO

Antes de empezar, se debe familiarizar completamente con el panel de control y mando a distancia y todas sus funciones, a continuación, seguir el símbolo para las funciones que usted desea.

La unidad puede ser controlada por el panel de control de la unidad sólo o con el mando a distancia.

NOTA: Este manual no incluye Operaciones de Mando a Distancia, consulte las Instrucciones de Mando a Distancia proporcionadas con la unidad para obtener más información.

PANEL DE CONTROL DEL ACONDICIONADOR DE AIRE

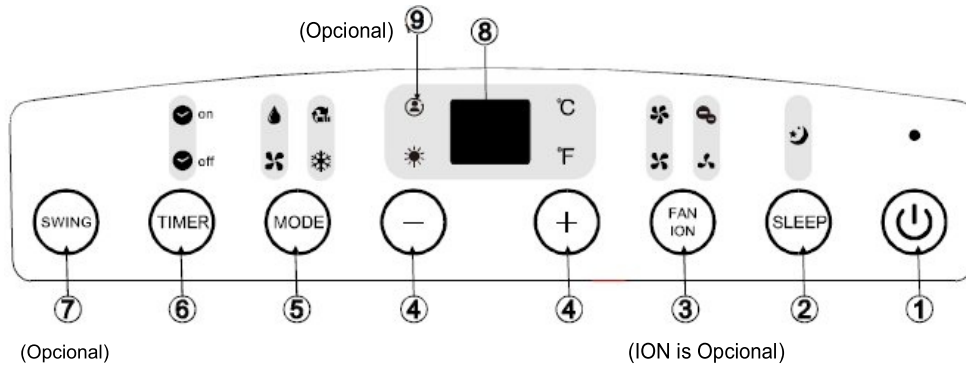


Fig.3

NOTA: En algunos modelos el botón SLEEP es en lugar del botón ECO.

① Botón POWER

Interruptor de encendido / apagado.

② Botón SLEEP/ECO

Se utiliza para iniciar la función SLEEP/ECO.

③ Botón FAN/ION (ION es opcional)

Controle la velocidad del ventilador. Pulse para seleccionar la velocidad del ventilador en cuatro pasos: LOW, MED, HI y AUTO.

La luz indicadora de velocidad del ventilador se ilumina con diferentes configuraciones del ventilador excepto Velocidad AUTO. Al seleccionar la velocidad del ventilador AUTO, todas las luces indicadoras del ventilador se oscurecen..

NOTA: Pulse este botón durante 3 segundos para iniciar la función ION, el generador de ion se energiza y ayudará a eliminar el polen y las impurezas del aire, y atraparlos en el filtro. Pulselo de nuevo durante 3 segundos para detener la función de ION.

④ Botón UP(+) y DOWN(-)

Se utiliza para ajustar (aumentar/disminuir) la temperatura (incrementos de 1°C/2 °F) en una gama de 17°C (62°F) a 30°C (88°F) o el temporizador en una gama de 0 ~ 24 horas..

NOTA: El panel de control es capaz de mostrar la temperatura en grados Fahrenheit o grados Celsius. Para convertir de una a otra, pulse y mantenga pulsado los botones Up y Down al mismo tiempo durante 3 segundos.

⑤ Botón de selección MODE

Seleccione el modo de funcionamiento apropiado.

Cada vez que usted pulsa el botón, se selecciona un modo en la siguiente secuencia: AUTO, COOL DRY, FAN y HEAT (Los modelos de solo enfriamiento no tiene esta secuencia). La luz indicadora de modo se ilumina bajo las diferentes configuraciones del modo.

⑥ Botón TIMER

Se utiliza para iniciar el programa de hora de inicio de AUTO ON y de hora de parada de AUTO OFF, en conjunción con los botones +y-. La luz indicadora de Timer On/Off se ilumina bajo las configuraciones de encendido/apagado del temporizador

⑦ Botón SWING

(Aplicable a los modelos con función de oscilación automática solamente)

Se utiliza para iniciar la función de oscilación automática.

En el funcionamiento, pulse el botón SWING, y puede parar la persiana en el ángulo deseado.

⑧ Pantalla LED

Muestra la temperatura programada en°C y°F,y las configuraciones de Auto-temporizador.

Mientras en los modos DRY y FAN, muestra la temperatura ambiente.

INSTRUCCIONES DE OPERACIÓN

Códigos de error y código de protección:

- E1-** Error en el sensor de temperatura ambiente -
Desenchufe la unidad y vuelva a enchufarla. Si el error se repite, solicite el servicio técnico.
- E2-** Error en el sensor de temperatura del evaporador -
Desenchufe la unidad y vuelva a enchufarla. Si el error se repite, solicite el servicio técnico.
- E3-** Error en el sensor de temperatura del condensador -
Desenchufe la unidad y vuelva a enchufarla. Si el error se repite, solicite el servicio técnico. (en algunos modelos).
- E4-** Error en comunicación del panel de visualización -
Desenchufe la unidad y vuelva a enchufarla. Si el error se repite, solicite el servicio técnico.
- P1-** La bandeja inferior está llena - Conecte la manguera de drenaje y drene el agua recogida. Si la protección se repite, solicite el servicio técnico.

⑨ Función de SÍGUEME/DETECCION DE TEMP. (opcional)

NOTA: Esta función se puede activar con el mando a distancia SOLAMENTE. El mando a distancia sirve como un termostato a distancia que permite el control preciso de la temperatura en su ubicación.

Para activar la función de Sígueme/ Detección de Temp., apunte el mando a distancia a la unidad y presione el botón Follow Me/Temp Sensing. La pantalla remota muestra la temperatura real en su ubicación. El mando a distancia enviará la señal al acondicionador de aire cada intervalo de 3 minutos hasta que pulse de nuevo el botón Follow Me/Temp Sensing. Si la unidad no recibe la señal de Follow Me/Temp Sensing durante cualquier intervalo de 7 minutos, la unidad emitirá un pitido para indicar que el modo de Sígueme/ Detección de Temp. ha terminado.

Instrucciones de operación

Operación COOL

- Pulse el botón "MODE" hasta que la luz indicadora "COOL" se enciende.
- Pulse los botones de ajuste "+" y "-" para seleccionar la temperatura ambiente deseada. La temperatura puede ajustarse dentro de una gama de 17°C-30 °C/62°F-88 °F.
- Presione el botón "FAN SPEED" para seleccionar la velocidad del ventilador.

Operación HEAT (Los modelos de solo enfriamiento no tiene esta función)

- Pulse el botón "MODE" hasta que la luz indicadora "HEAT" se enciende.
- Pulse los botones de ajuste "+" y "-" para seleccionar la temperatura ambiente deseada. La temperatura puede ajustarse dentro de una gama de 17°C-30°C/62 °F-88 °F
- Presione el botón "FAN SPEED" para seleccionar la velocidad del ventilador. En algunos modelos, la velocidad del ventilador no se puede ajustar en el modo HEAT.

- Pulse el botón "MODE" hasta que la luz indicadora "DRY" se enciende.
- En este modo, no se puede seleccionar una velocidad del ventilador o ajustar la temperatura. El motor del ventilador funciona a la velocidad baja.
- Mantenga las ventanas y puertas cerradas para el mejor efecto de deshumidificación.
- No coloque el conducto a la ventana.

Operación AUTO

- Cuando se programa el acondicionador de aire en el modo AUTO, se seleccionará automáticamente, enfriamiento, calefacción (los modelos de solo enfriamiento no tiene esta función), o funcionamiento de ventilador sólo dependiendo de la temperatura programada y la temperatura ambiente.
- El acondicionador de aire controla automáticamente la temperatura ambiente alrededor de la temperatura programada por usted.
- En el modo AUTO, no se puede seleccionar la velocidad del ventilador.

Operación FAN

- Pulse el botón "MODE" hasta que la luz indicadora "FAN" se enciende.
- Pulse el botón "FAN SPEED" para seleccionar la velocidad del ventilador. La temperatura no se puede ajustar.
- No coloque el conducto a la ventana.

Operación TIMER

- Cuando la unidad está encendida, presione el botón Timer, y se iniciará el programa de parada de Auto-off y se iluminará la luz indicadora de TIMER OFF. Pulse el botón UP o Down para seleccionar el tiempo deseado. Pulse el botón TIMER de nuevo dentro los 5 segundos, se inicia el programa de inicio de Auto-on. Y la luz indicadora de TIMER ON se ilumina. Pulse el botón up o down para seleccionar el tiempo de inicio de Auto-on deseado.
- Cuando la unidad está apagada, presione el botón Timer para iniciar el programa de inicio de Auto-on, pulse de nuevo este botón dentro de los cinco segundos, se iniciará el programa de parada de Auto-off.
- Pulse o mantenga pulsado el botón UP o DOWN para cambiar el tiempo de Auto por incrementos de 0,5 horas hasta 10 horas, y luego por incrementos de 1 hora hasta 24 horas. El control contará hacia atrás el tiempo restante hasta iniciar.
- El sistema volverá automáticamente a mostrar la configuración de temperatura anterior si no se realiza ninguna operación en un período de cinco segundos.

INSTRUCCIONES DE OPERACIÓN

- El encendido o apagado de la unidad en cualquier momento o el ajuste de configuración del temporizador a 0.0, cancelará el programa de arranque automático/parada automática del temporizador.
- Cuando ocurra el funcionamiento defectuoso (E1, E2, E3 o E4), el programa de arranque automático/parada automática del temporizador también se cancelará..

Oscilación automática

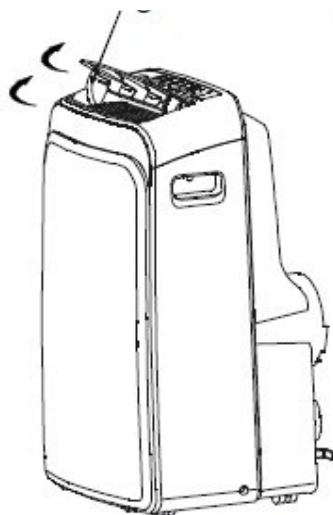


Fig.4

Operación SLEEP/ECO

Pulse el botón, la temperatura seleccionada aumentará (enfriamiento) o disminuirá (calefacción) en 1°C / 2°F cada 30 minutos. La temperatura entonces aumentará (enfriamiento) o disminuirá (calefacción) en otra 1°C / 2°F después de 30 minutos adicionales. Esta nueva temperatura se mantendrá durante 7 horas antes de que vuelve a la temperatura seleccionada originalmente. Esto termina el modo de Sleep/Eco y la unidad seguirá funcionando según lo programado originalmente.

NOTA: Esta función está indisponible en el modo de FAN o DRY.

Otras características

Auto- Reanudar (en algunos modelos)

Si la unidad se interrumpe de forma inesperada debido al corte de electricidad, se reanuda con la configuración de función anterior de manera automática al restablecer el suministro eléctrico.

Espere 3 minutos antes de reanudar el funcionamiento

Espere 3 minutos antes de reanudar el funcionamiento

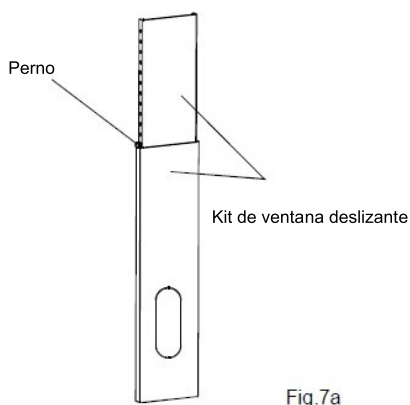
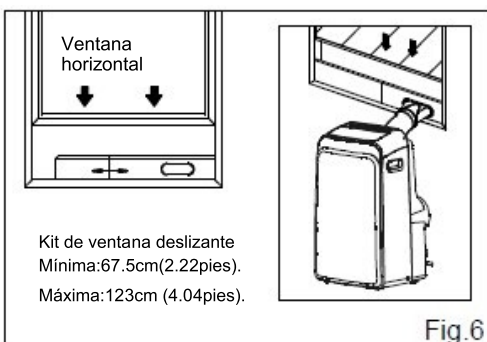
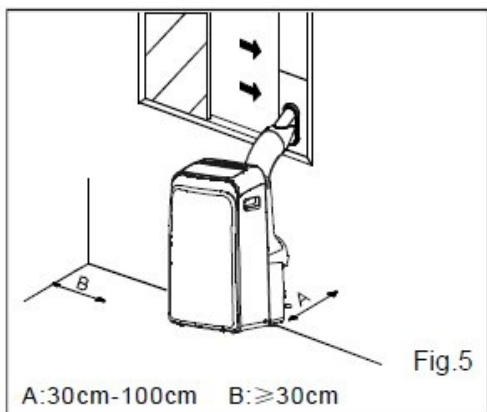
Después de que la unidad ha parado, el funcionamiento no se puede reiniciar en los 3 primeros minutos. Esto es para proteger la unidad. El funcionamiento iniciará automáticamente después de los 3 minutos.

Ajuste de la dirección del flujo de aire

La persiana se puede ajustar de forma automática.

- **Ajuste la dirección del flujo de aire de forma automática (Fig.4):**
- Cuando la unidad está encendida, la persiana se abre completamente.
Pulse el botón SWING del panel o mando a distancia para iniciar la función de oscilación automática.
- La persiana se oscilará hacia arriba y hacia abajo de forma automática.
- Por favor, no ajuste la persiana manualmente.

INSTRUCCIONES DE INSTALACIÓN (opcional)



INSTRUCCIONES DE INSTALACIÓN

Ubicación

- El acondicionador de aire debe colocarse sobre una base firme para minimizar ruido y vibración. Para la colocación segura, coloque la unidad sobre una superficie lisa y plana que es suficientemente fuerte para sostener la unidad.
- La unidad tiene ruedas para facilitar la colocación, pero debe ser rodada sólo en superficies lisas y planas. Tenga cuidado al rodar sobre superficies de moqueta. No intente girar la unidad sobre objetos.
- La unidad debe estar al alcance de un tomacorriente a tierra con una potencia nominal adecuada.
- Nunca coloque algún obstáculo alrededor de la entrada o salida de aire de la unidad.
- Deje 30 cm a 100 cm de espacio de la pared para climatizar de manera eficiente.

Instalación de kit de ventana

Su kit de ventana deslizable está diseñado para adaptarse a aplicaciones de ventana "vertical" y "horizontal" más estándares, sin embargo, puede ser necesario que usted improvise / modifique algunos aspectos de los procedimientos de instalación de ciertos tipos de ventana. Por favor refiérase a la Fig. 6 y la Fig. 7 para las aberturas mínima y máxima de ventana. El kit de ventana deslizable se puede fijar con un perno (véase la Fig. 7a).

Nota: Si la abertura de ventana es menor que la longitud mínima mencionada del kit de ventana deslizable, corte el kit y deje el agujero original para adaptarse a la abertura de ventana.

No nunca corte el agujero en el kit de ventana deslizable.

INSTRUCCIONES DE INSTALACIÓN (opcional)

Instalación en una ventana de guillotina doble colgado

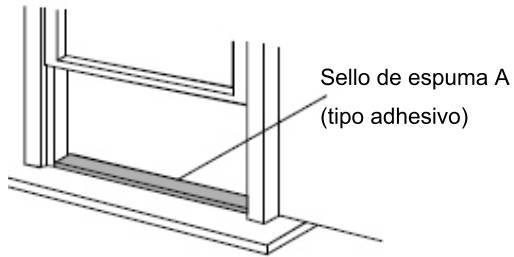


Fig.8

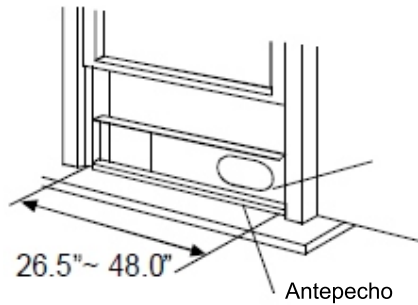


Fig.9

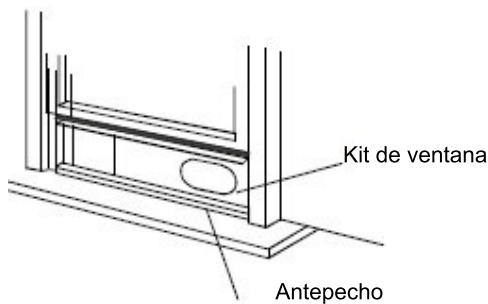


Fig.10

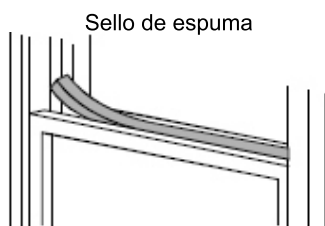


Fig.11

1. Corte el sello de espuma (tipo adhesivo) a la longitud adecuada y colóquelo en el antepecho. Fig.8

2. Conecte el kit de ventana deslizante al antepecho. Ajuste la longitud del kit de ventana deslizante de acuerdo con el ancho de la ventana, acorte el kit de ventana ajustable si el ancho de la ventana es menor que 26,5 pulgadas

Abra la hoja de la ventana y coloque el kit de ventana deslizante en el antepecho. Fig.9

3. Corte el sello de espuma (tipo adhesivo) a la longitud adecuada y peguelo en la parte superior de la ventana. Se muestra como en la Fig. 10

4. Cierre la hoja de la ventana firmemente contra la ventana.

5. Corte el sello de espuma a una longitud adecuada y selle la brecha abierta entre la hoja de la ventana superior y la hoja de la ventana exterior. Se muestra como en la Fig.11.

INSTRUCCIONES DE INSTALACIÓN (opcional)

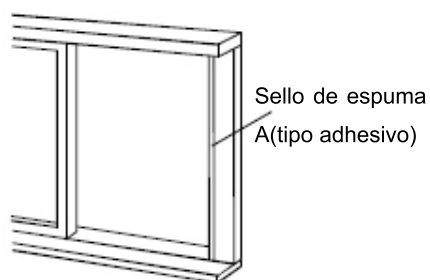


Fig.12

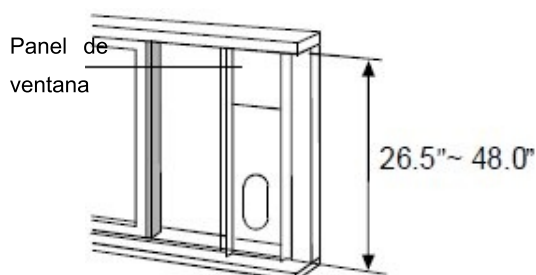


Fig.13

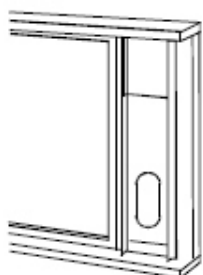


Fig.14

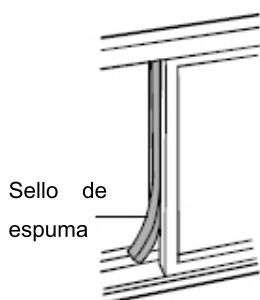


Fig.15

Instalación en una ventana de guillotina deslizante

1. Corte el sello de espuma (tipo adhesivo) a la longitud adecuada y pegue el sello al marco de la ventana. Véase la Fig. 12.
2. Conecte el kit de ventana deslizante al antepecho. Ajuste la longitud del kit de ventana deslizante de acuerdo con el ancho de la ventana, acorte el kit de ventana ajustable si el ancho de la ventana es menor que 26,5 pulgadas
Abra la hoja de la ventana y coloque el kit de ventana deslizante en el antepecho. Véase la Fig.13.
3. Corte el sello de espuma (tipo adhesivo) a la longitud adecuada y peguelo en la parte superior de la ventana. Se muestra como en la Fig. 14.
4. Cierre la hoja corredera firmemente contra la ventana.
5. Corte el sello de espuma a una longitud adecuada y selle la brecha abierta entre la hoja de la ventana superior y la hoja de la ventana exterior. Se muestra como en la Fig.15.

NOTA: Todas las ilustraciones de este manual son para fines de explicación solamente. Su unidad puede ser un poco diferente. La forma real prevalecerá.

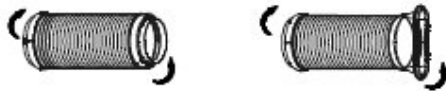


Fig. 16a

Fig. 16b



Fig. 17

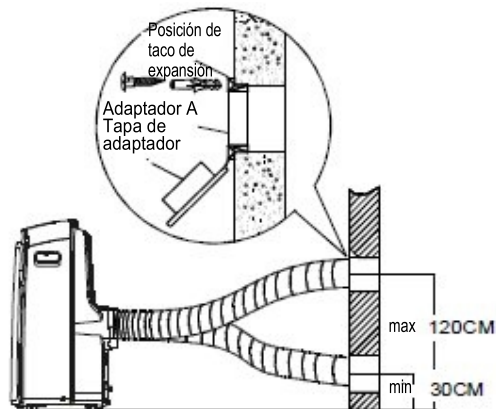


Fig. 18

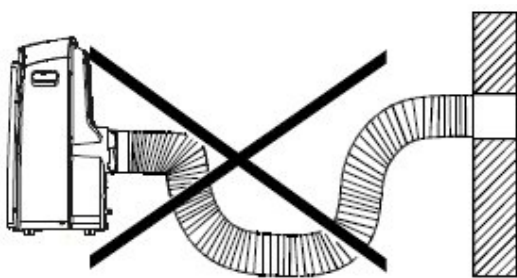


Fig. 19

INSTRUCCIONES DE INSTALACIÓN

Instalación de manguera de escape:

La manguera de escape y el adaptador deben instalarse o retirarse de acuerdo con el modo de uso.

Modo de FRÍO, CALOR(Tipo de bomba de calor) o AUTO	Instalación
Modo de FAN, DESHUMIDIFICACIÓN o CALOR(Tipo de calor eléctrico)	Retirada

1. Instale el adaptador B y el adaptador I en la manguera de escape como se muestra en la Fig.16a o la Fig.16b. Consulte las páginas anteriores para la instalación del kit de ventana.
2. Inserte el gancho de la manguera de escape en el asiento del orificio de la salida de aire y deslice hacia abajo la manguera de escape a lo largo de la dirección de la flecha (Véase la Fig. 17) para la instalación.

La manguera de escape se puede instalar en la pared

(No se aplica a las unidades sin adaptador A, tacos de expansión y tornillos de madera de Accesorios).

1. Prepare un agujero en la pared. Instale el adaptador A de escape de pared en la pared (exterior) usando 4 tacos de expansión y tornillos de madera, asegúrese de fijar bien. (Véase la Fig. 18)
2. Conecte la manguera de escape al adaptador A de escape de pared.

Nota:

Cubra el orificio con la tapa de adaptador cuando no esté en uso..

- La manguera de escape puede ser comprimida o extendida moderadamente de acuerdo con el requisito de la instalación, pero es deseable mantener la longitud de la manguera a un mínimo.

IMPORTANTE:

NO DOBLE LA MANGUERA DE ESCAPE DEMASIADO (VÉASE LA Fig.19)

⚠ PRECAUCIÓN:

Asegúrese de que no hay ningún obstáculo alrededor de la salida de aire de la manguera de escape (en el rango de 500 mm) con el fin de que el sistema de escape funcione correctamente.

INSTRUCCIONES DE INSTALACIÓN

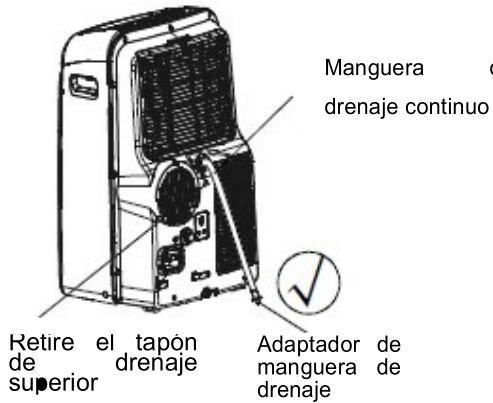


Fig.20a

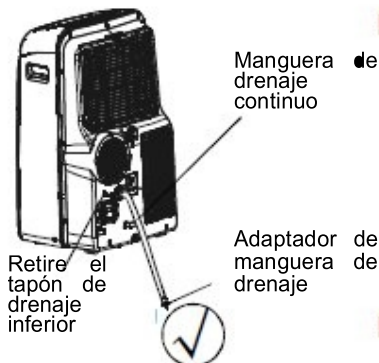


Fig.20b

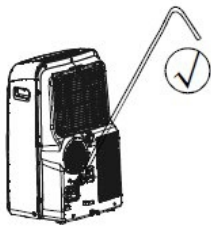


Fig.21a

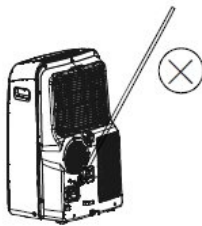


Fig.21b



Fig.22

Drenaje de agua:

- En los modos de deshumidificación, retire el tapón de drenaje superior de la parte posterior de la unidad, instale el conector de drenaje (reparador hembra de 5/8" universal) con manguera de 3/4" (adquirida localmente). Para los modelos sin conector de drenaje, sólo conecte la manguera de drenaje al orificio. Coloque el extremo abierto del adaptador de manguera directamente sobre el área de drenaje en el piso del sótano. Por favor, consulte la Fig.20a.
- En el modo de bomba de calor, retire el tapón de drenaje inferior de la parte posterior de la unidad, instale el conector de drenaje (reparador hembra de 5/8" universal) con manguera de 3/4" (adquirida localmente). Para los modelos sin conector de drenaje, sólo conecte la manguera de drenaje al orificio. Coloque el extremo abierto del adaptador de manguera directamente sobre el área de drenaje en el piso del sótano. Por favor, consulte la Fig.20b.

NOTA: Asegúrese de que la manguera es segura de manera que no haya fugas. Apunte la manguera hacia el desagüe, asegurándose de que no existan dobleces que detengan el flujo de agua. Coloque el extremo de la manguera en el desagüe y asegúrese de que el extremo de la manguera está hacia abajo para permitir que el agua fluya sin problemas. (Véase la Fig.20a, 20b, 21a). nunca deje hacia arriba. (Véase la Fig.21b).

- Cuando el nivel del agua de la bandeja inferior alcanza un nivel predeterminado, la unidad emite un pitido 8 veces, el área de visualización digital muestra "P1". En este momento el proceso de climatización/deshumidificación se detendrá inmediatamente. Sin embargo, el motor del ventilador continuará funcionando (esto es normal). Cuidadosamente mueva la unidad a un lugar de desagüe, retire el tapón de drenaje inferior y deje que el agua fluya fuera (Fig. 22). Vuelva a instalar el tapón de drenaje inferior y reanude la máquina hasta que el símbolo "P1" desaparece. Si el error se repite, llame al servicio técnico.

NOTA: Asegúrese de volver a instalar el tapón de drenaje inferior antes de utilizar la unidad.

CUIDADO Y MANTENIMIENTO



Fig.23

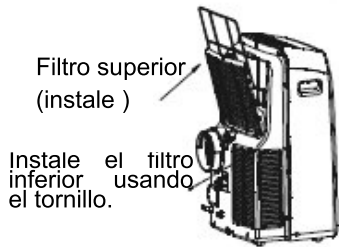


Fig.24

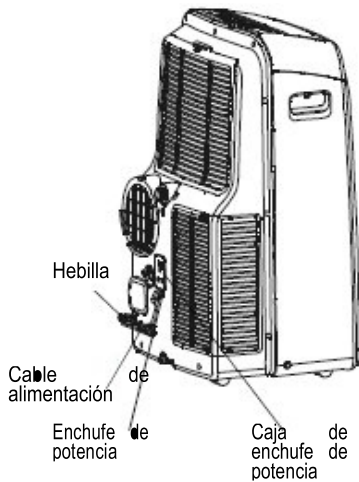


Fig.25

CUIDADO Y MANTENIMIENTO

IMPORTANTE:

- 1) Asegúrese de desenchufar la unidad antes de limpiarla o repararla.
- 2) No utilice gasolina, disolvente u otros productos químicos para limpiar la unidad.
- 3) No lave la unidad directamente bajo el grifo o utilizando una manguera.
Puede causar peligro eléctrico.
- 4) Si el cable de alimentación está dañado, debe ser reparado por el fabricante o su agencia.

1. Filtro de aire

- Limpie el filtro de aire al menos una vez cada dos semanas para evitar el funcionamiento del ventilador inferior a causa de polvo.

- Eliminación

Esta unidad tiene dos filtros. Tire hacia fuera el filtro superior a lo largo de la dirección de la flecha (Fig. 23), y luego tire el filtro hacia abajo. Retire el filtro inferior aflojando el tornillo, saque el filtro como se muestra en la Fig. 23.

- Limpieza

Lave el filtro de aire sumergiéndolo suavemente en agua tibia (sobre 40°C/104°F) con un detergente neutro, enjuague el filtro y seque en un lugar sombreado.

- Montaje

Instale el filtro de aire superior después de la limpieza, e instale el filtro inferior utilizando el tornillo (véase la Fig. 24).

2. Carcasa de la unidad

- Utilice un paño sin pelusa humedecido con un detergente neutro para limpiar la carcasa de la unidad. Al fin con un paño limpio y seco.

3. La unidad está en ralenti durante un largo tiempo

- Retire el tapón de goma de la parte posterior de la unidad y sujete una manguera a la salida de drenaje. Coloque el extremo abierto de la manguera directamente sobre el área de drenaje en el piso del sótano (Véase la Fig. 20 y 21).
- Retire el tapón de la salida de drenaje inferior, toda el agua en la bandeja inferior se drene (Véase la Fig. 22).
- Mantenga el aparato funcionar en el modo FAN durante medio día en una habitación caliente para secar el aparato en el interior y evitar la formación de moho.
- Pare el aparato y desenchufelo, envuelva y ate el cable con la cinta (Fig. 25). Retire las pilas del mando a distancia.
- Limpie el filtro de aire y vuelva a instalarlo.

CONSEJOS PARA SOLUCIONAR PROBLEMAS

SOLUCIÓN DE PROBLEMAS

PROBLEMAS	CAUSAS POSIBLES	SOLUCIONES
1. La unidad no se arranca al pulsar el botón ON / OFF	- 1 aparece en la ventana de visualización	Vacíe la bandeja inferior.
	- La temperatura ambiente es inferior a la temperatura programada (modo de enfriamiento).	Restablezca la temperatura.
2. No es suficientemente frío	- Las ventanas o puertas de la habitación no se cierran.	Asegúrese de que todas las ventanas y puertas estén cerradas.
	- Hay fuentes de calor dentro de la habitación.	Quite las fuentes de calor, si es posible.
	- El conducto de aire de escape está bloqueado o no conectado.	Conecte el ducto y asegúrese de que pueda funcionar correctamente.
	- La temperatura programada es demasiado alta.	Disminuya la temperatura programada.
	- El filtro de aire está obstruido por el polvo.	Limpie el filtro de aire.
4. Ruido o vibración	- El suelo no está nivelado o suficientemente plano.	Coloque la unidad sobre un suelo plano y nivelado si es posible.
5. Sonido de gluglú	- El sonido proviene del flujo del refrigerante en el interior del acondicionador de aire.	Es normal.
6. Apagado en el modo de calefacción	- La protección automática de sobrecalentamiento funciona. Cuando la temperatura en la salida de aire es superior a 70°C 158°F, el dispositivo se parará.	Encienda de nuevo después de que la unidad se ha enfriado

Garantía de Acondicionador de Aire Arctic King

Su producto está protegido por esta garantía:

El servicio de garantía debe ser obtenido de Servicios al Consumidor de Arctic King o prestador de servicio autorizado Arctic King.

Garantía

- Garantía completa de uno año a partir de la fecha de compra original.

Arctic King, a través de sus servicios autorizados, deberá:

- Pagar todos los costos de reparación o sustitución de las piezas de este aparato que demuestren que estén defectuosas en materiales o hechura.

El consumidor será responsable de:

- Costos de diagnóstico, remoción, transporte y reinstalación requeridos por el servicio.
- Los costos de las llamadas de servicio que son el resultado de ítems indicados en el RESPONSABILIDADES NORMALES DEL CONSUMIDOR **

Las piezas de reemplazo Arctic King se utilizarán y garantizarán sólo por el período restante de la garantía original.

RESPONSABILIDADES NORMALES DEL CONSUMIDOR **

Esta garantía sólo se aplica a los productos de uso doméstico normal, y el consumidor es responsable de los ítems listados siguientes:

1. Uso correcto del aparato de acuerdo con las instrucciones proporcionadas con el producto.
2. Mantenimiento rutinario y limpieza necesaria para mantener el buen estado de funcionamiento.
3. Instalación correcta por un profesional de servicio autorizado de acuerdo con las instrucciones proporcionadas con el aparato y de acuerdo con todos los códigos locales de plomería, electricidad y/o gas.
4. Conexión adecuada a una fuente de alimentación conectada a tierra de suficiente voltaje, reemplazo de fusibles quemados, reparación de conexiones aflojadas o defectos en el cableado doméstico.
5. Gastos para facilitar el acceso al aparato para el servicio.
6. Daños después de la instalación.

EXCLUSIONES

Esta garantía no cubre lo siguiente:

- 1) Fallo causado por daño a la unidad mientras en su posesión (diferente de los daños causados por defecto o mal funcionamiento), mediante su instalación inadecuada, o por uso irracional de la unidad, incluyendo, pero no limitado a, la falta de mantenimiento razonable y necesario o de seguir las instalaciones escritas y el manual de instrucciones.
- 2) Daños causados por servicios realizados por personas que no sean prestadores de servicio autorizados Arctic King, por uso de piezas que no sean piezas de repuesto Arctic King, obtenidos desde personas que no sean de servicios al Consumidor Arctic King, o por causas externas como abuso, mal uso, suministro eléctrico inadecuado o casos fortuitos.
- 3) Si la unidad se pone a usos comerciales, de negocios, de alquiler u otro uso o aplicación que no sea para uso del consumidor, no hacemos ninguna garantía, expresa o implícita, incluyendo, pero sin limitado a, cualquier garantía implícita de comerciabilidad o idoneidad para un uso o propósito particular.
- 4) Productos sin números de serie originales o productos que tengan números de serie que se han alterado o no se puede determinar fácilmente

Nota: Algunos estados no permiten la exclusión o limitación de daños incidentales o consecuentes. Así que esta limitación o exclusión no se aplique a usted.

SI USTED NECESITA SERVICIO

Conserve la factura de compra, la boleta de entrega o cualquier otro registro de pago apropiado.

La fecha en la factura estableció el período de garantía si requerir servicio.

Si el servicio se lleva a cabo, es su mejor interés para obtener y conservar todos los recibos.

Esta garantía escrita le otorga derechos legales específicos. Usted también puede tener otros derechos que varían de estado a estado.

El servicio bajo esta garantía debe ser obtenido mediante los siguientes pasos, en orden:

1. Póngase en contacto con Servicios al Consumidor Arctic King o un prestador de servicio autorizado Arctic King a 1 866 646 4332.
2. Si hay una pregunta sobre dónde obtener servicio, póngase en contacto con nuestro departamento de relaciones de consumidor.

El diseño y especificación se publican sin previo aviso de las mejoras del producto.
Consulte a la agencia de ventas o el fabricante sobre más informaciones.