



WASH MORE. FEWER LOADS.

5.2 Cu. Ft. Front Load Washer

MLH52S7AGS Graphite Silver

Largest Capacity Front-Load Washer in a standard width. The Midea 5.2 Cu. Ft. Front Load Washer has 14 cycles along with extra rinse and soak options. Reduced vibration technology keeps heavier loads balanced for quieter washing even at high spin speeds — perfect for a second floor laundry room. The standard 27" width lets you locate it just about anywhere.

Large, 5.2 Cu. Ft. Capacity

The largest capacity in a standard 27" width. Fit more towels and sheets in a single load saving time and effort.

Dynamic Vibration Control

Reduces vibration and noise, keeping heavy loads balanced even at high spin speeds.

Inverter Motor

Ensures reliability along with precision speed control. Backed by a 10-year warranty.

Internal Heater

Brings water temp. up to 160°F for sanitization and powers steam cycles for better fabric care.

ENERGY STAR® Certified

Conserves energy while lowering your electric bill.

5.2 Cu. Ft. Front Load Washer

Models MLH52S7AGS



SPECIFICATIONS

Models	MLH52S7AGS	
UPC	810004812505	
Color	Graphite Silver	
PERFORMANCE		
ENERGY STAR®	Yes	
Max Spin Speed (RPM)	1300	
Vibration Reduction	Yes	
UL Certification	Yes	
FEATURES		
Capacity (cu. ft.)	5.2	
No. of Cycles	14 (Normal/Colors, Bulk/Sheets, Heavy Duty, Whites, Towels, Sanitize, Hand Wash, Quick Wash, Delicates, Baby Care, Casual, Sportswear, Tub Clean, Rinse & Spin)	
No. of Options	9 (Steam, Signal, Water Plus, Speed Wash, Extra Rinse, Pre Wash, Control Lock, My Cycle, Delay)	
Automatic Temperature Control	Yes	
Automatic Load Sensing	Yes	
No. of Soil Levels	5 (Extra Heavy, Heavy, Medium, Light, Extra Light)	
No. of Temperature Selections	5 (Extra Hot, Hot, Warm, Eco Warm, Tap Cold)	
No. of Spin Speeds	5 (Extra High, High, Medium, Low, No Spin)	
Internal Water Heater / Sanitize	Yes	
Steam Function	Yes	
Detergent Dispenser	Pre-wash, Bleach, Softener	
Delay Start	Yes	
Child Lock	Yes	
Pre-wash	Yes	
Extra Rinse	Yes	
Drum Light	Yes	
My Cycle	Yes	
Stackable	Yes	
Time-Remaining Display	Yes	
End-Of-Cycle Signal	Yes	
ELECTRICAL		
Voltage (V)	120	
Amperage (A)	10	
Power Cord Included	Yes	
PHYSICAL ATTRIBUTES		
Included Accessories	Drain Hose Guide, Inlet Hose Screen Washers (2), Cable Tie	
Optional Accessories	Pedestal (MLPIGS), Stacking Kit (MSTK1)	
Control Panel	Dial / Touch	
Control Panel Screen / Color	LED / White	
Tub/Drum Material	Stainless Steel	
Door	Glass / Chrome Door	
Door Cover	Gray Clear	
Dimensions (W*D*H)	in	27 x 34 x 39.8
	cm	68.6 x 86.4 x 101
Depth with Door Open (in / cm)	55.5 / 141	
Weight (lbs / kg)	240 / 108.8	
Warranty	Parts & Labor, 1 Year	

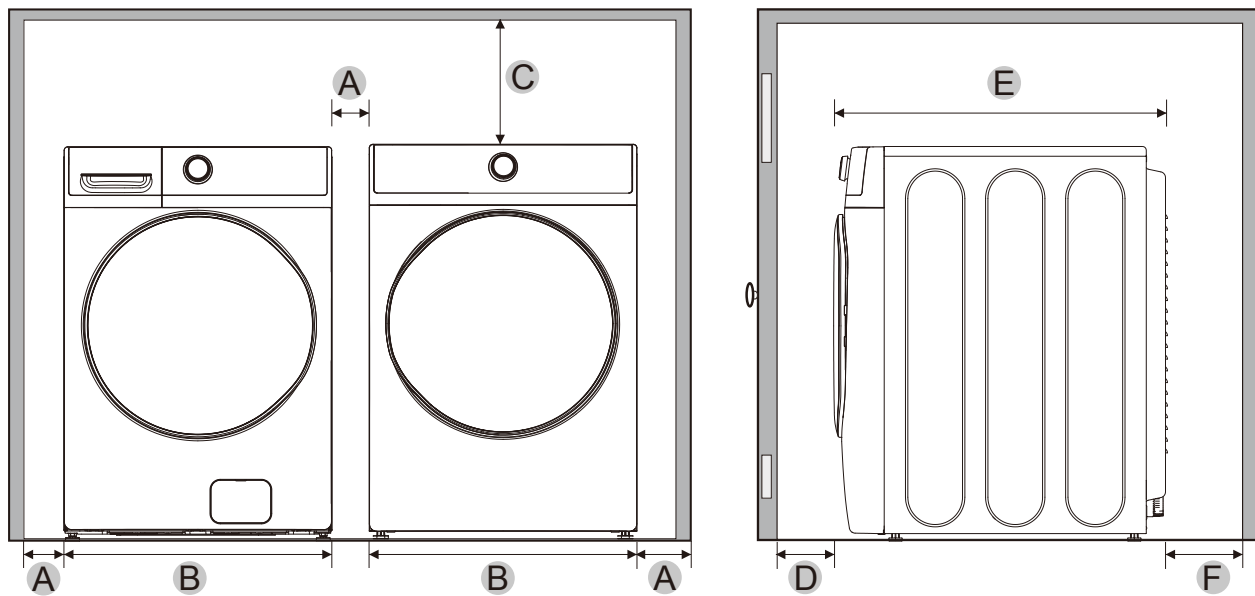
Front Load Washers & Dryers

Models MLH45N1AWW, MLE45N1AWW, MLG45N1AWW,
MLH52S7AGS, MLE52S7AGS, MLG52S7AGS

Alcove or Closet or Wall Insert/Recessed Installations

Minimum clearances between the dryer and adjacent walls or other surfaces:

Sides (in / mm)	1 / 25	Rear (in / mm)	5 / 127
Top (in / mm)	24 / 610	Closet Front (in / mm)	2 / 51



A (in / mm)	1 / 25	C (in / mm)	24 / 610	E (in / mm)	33.7 / 855
B (in / mm)	27 / 686	D (in / mm)	2 / 51	F (in / mm)	5 / 127

WARNING

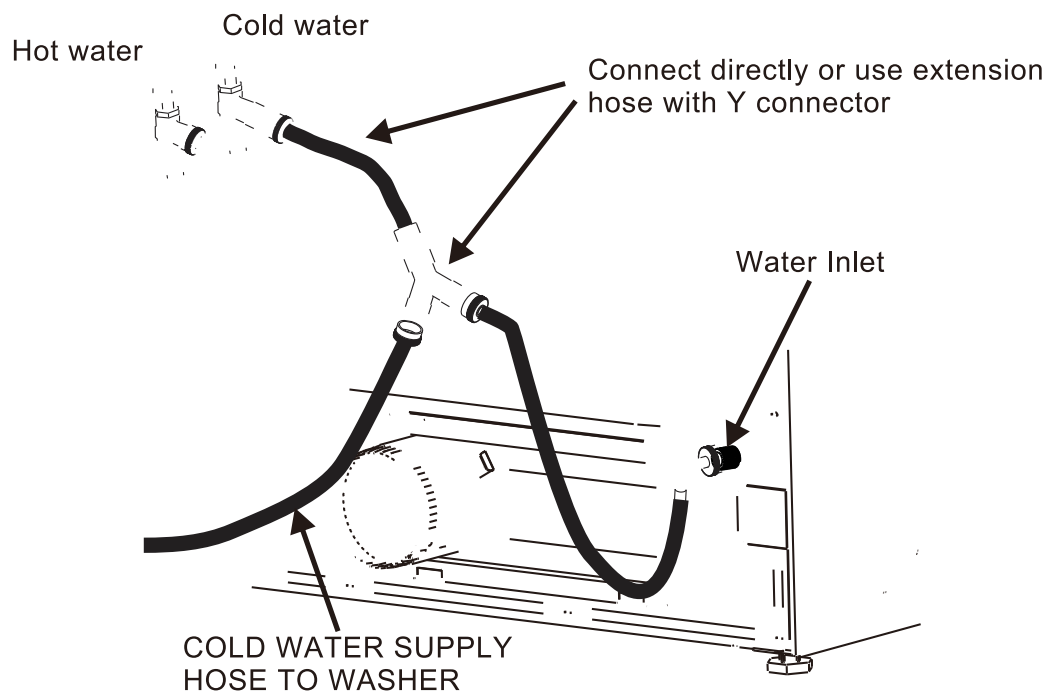
- The dryer must be exhausted to the outside to reduce risk of fire when installed any place inside the house.
- No other fuel-burning appliance should be installed in the same closet as the dryer.

Front Load Dryer 'Y' Connector

PARTS SUPPLIED



CONNECT INLET HOSES



If possible install the "Y" connector directly, thread the short extension hose on to the COLD water supply and snug it by hand; then tighten it another $\frac{2}{3}$ turn with pliers. Thread the "Y" connector to the short extension hose and snug it by hand; then tighten it another $\frac{2}{3}$ turn with pliers

Connect the COLD inlet hose for the washer to the "Y" connector and snug it by hand; then tighten it another $\frac{2}{3}$ turn with pliers.

Connect the straight end of a long hose to the other outlet on the "Y" connector and snug it by hand. Connect the hose's 90° coupling to the brass water inlet on the back of the dryer and snug it by hand. Tighten each connection of the dryer inlet hose another $\frac{2}{3}$ turn with pliers. Turn on the water and check for leaks at all connections.

Front Load Laundry Accessories

Required for Installation:

Fill Hose Kit—Use standard 3rd party kit available at your store for washers. Available in plastic and stainless steel.

Dryer Vent—Use standard 3rd party accordion style vent for electric and gas dryers.

Optional Accessories:

Pedestal—Elevates washer and dryer for easier loading and unloading. Convenient drawers provide extra storage under the washer and dryer for better organization in your laundry room.



White

Model # MLP1WW



Graphite Silver

Model # MLP1GS

Stacking Kit—Stack dryer on top of washer to maximize space. Customer should call Midea Service (Encompass) at 1-866-646-4332 to order.

Dryer Rack—Used to dry items such as shoes or hats so that they do not bounce around in the drum of the dryer. Customer should call Midea Service (Encompass) at 1-866-646-4332 to order.

Y Kit Adapter—A plastic Y connector is included with dryer but stainless steel versions may be available in-store if customers prefer.