



DRY MORE. SAVE TIME.

8.0 Cu. Ft. Front Load Dryer

MLE52S7AGS Electric, Graphite Silver

MLG52S7AGS Gas, Graphite Silver

Largest Capacity Dryer in a standard width. Our versatile, 8.0 Cu. Ft. Dryer has 14 cycles, 5 temperature settings and a convenient auto-dry feature. The reversible door can be adjusted to open from the left or right for maximum placement versatility.

Large, 8.0 Cu. Ft. Capacity

The largest capacity in a standard 27" width. Dry everything at once including king-size comforters, towels and linens with the extra-large drum.

Pure Steam

Built-in generator injects real steam and doesn't just spray water. Reduces odors, bacteria, and static in your clothing.

Sensor Dry

A sensor detects when your clothes are dry and automatically stops the dryer saving energy.

14 Total Cycles

9 Sensor Cycles: Normal, Bulky, Heavy Duty, Casual, Sanitize, Baby Care, Delicates, Towels, Eco Normal

5 Manual Cycles: Quick Dry, Time Dry, Air Fluff, Steam Refresh, Towel Warmer

8.0 Cu. Ft. Front Load Dryer

Models MLH45N1AWW,



SPECIFICATIONS

Models		MLE52S7AGS	MLG52S7AGS
UPC		810004812512	810004812529
Heater Type		Electric	Gas*
Color		Graphite Silver	Graphite Silver
PERFORMANCE			
ENERGY STAR®		-	-
UL Certification		Yes	Yes
FEATURES			
Capacity (cu. ft.)		8.0	8.0
No. of Cycles	Total	14	14
	Sensor Dry	Normal, Bulky, Heavy Duty, Casual, Sanitize, Baby Care, Delicates, Towels, Eco Normal	Normal, Bulky, Heavy Duty, Casual, Sanitize, Baby Care, Delicates, Towels, Eco Normal
	Manual Dry	Quick Dry, Time Dry, Air Fluff, Steam Refresh, Towel Warmer	Quick Dry, Time Dry, Air Fluff, Steam Refresh, Towel Warmer
No. of Options		8 (Steam, Wrinkle Care, Damp Dry Signal, Time Adjust, Child Lock, Signal, My Cycle, Eco Dry)	8 (Steam, Wrinkle Care, Damp Dry Signal, Time Adjust, Child Lock, Signal, My Cycle, Eco Dry)
Sensor Dry		Yes	Yes
Dryness Level Selections		5 (Extra Dry, More Dry, Normal Dry, Less Dry, Damp Dry)	5 (Extra Dry, More Dry, Normal Dry, Less Dry, Damp Dry)
Temperature Selections		5 (High, Medium, Low, Ultra Low, No Heat)	5 (High, Medium, Low, Ultra Low, No Heat)
Time Dry Selections		5 (60 min, 50 min, 40 min, 30 min, 20 min)	5 (60 min, 50 min, 40 min, 30 min, 20 min)
Interior Light(s)		Yes	Yes
Lint Filter		Yes	Yes
Lint Filter Indicator Light		Yes	Yes
My Cycle		Yes	Yes
Steam Function		Yes	Yes
Reversible Door Hinge		Yes	Yes
3-Way Venting		Yes	Yes
Exhaust Vent		Yes - Rear, Bottom, Left	Yes - Rear, Bottom, Left
End of Cycle Signal		Yes	Yes
Stackable		Yes	Yes
ELECTRICAL			
Voltage (V)		120/240	120
Amperage (A)		24	9.5
BTU/h		-	20,000
Power Cord Included		-	Yes
PHYSICAL ATTRIBUTES			
Included Accessories		Short Inlet Hose, Y-Connector	Short Inlet Hose, Y-Connector
Optional Accessories		Pedestal (MLP1GS), Stacking Kit (MSTK1), Double Layer Drying Rack	Pedestal (MLP1GS), Stacking Kit (MSTK1), Double Layer Drying Rack
Tub/Drum Material		Aluminized Alloy Steel	Aluminized Alloy Steel
Drum Rear Cover		Powder Sprayed SGCC	Powder Sprayed SGCC
Double Layer Drying Rack		-	-
Control Panel		Dial / Touch	Dial / Touch
Control Panel Screen / Color		LED / White	LED / White
Door		Chrome Door	Chrome Door
Door Cover		Gray Clear	Gray Clear
Dimensions (W*D*H)	in	27 x 33.6 x 39.8	27 x 33.6 x 39.8
	cm	68.6 x 85.3 x 101	68.6 x 85.3 x 101
Depth with Door Open (in / cm)		55.2 / 140.2	56.2 / 142.7
Weight (lbs / kg)		138.9 / 63	138.9 / 63
Warranty		Parts & Labor, 1 Year	Parts & Labor, 1 Year

*For Liquid Propane gas, additional conversion kit should be purchased.

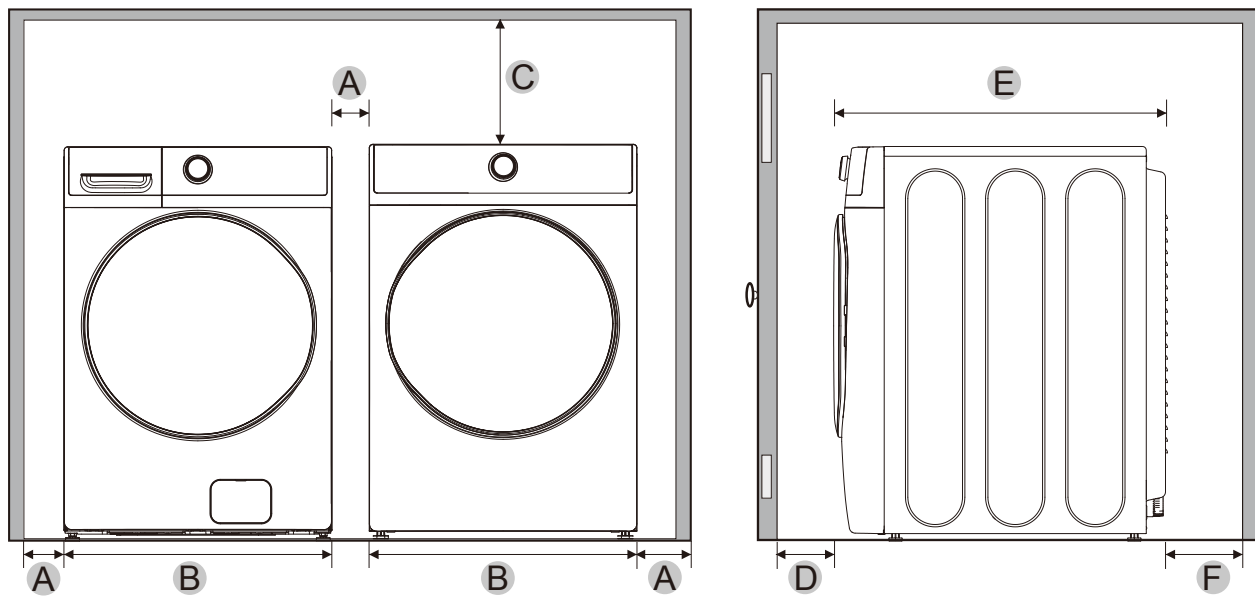
Front Load Washers & Dryers

Models MLH45N1AWW, MLE45N1AWW, MLG45N1AWW,
MLH52S7AGS, MLE52S7AGS, MLG52S7AGS

Alcove or Closet or Wall Insert/Recessed Installations

Minimum clearances between the dryer and adjacent walls or other surfaces:

Sides (in / mm)	1 / 25	Rear (in / mm)	5 / 127
Top (in / mm)	24 / 610	Closet Front (in / mm)	2 / 51



A (in / mm)	1 / 25	C (in / mm)	24 / 610	E (in / mm)	33.7 / 855
B (in / mm)	27 / 686	D (in / mm)	2 / 51	F (in / mm)	5 / 127

WARNING

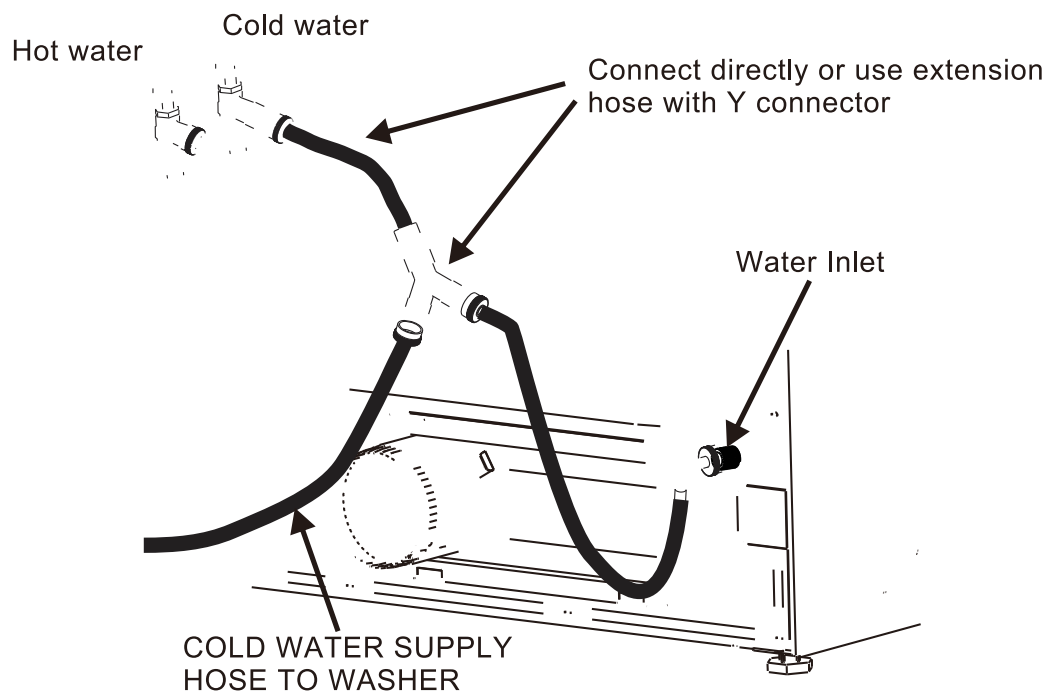
- The dryer must be exhausted to the outside to reduce risk of fire when installed any place inside the house.
- No other fuel-burning appliance should be installed in the same closet as the dryer.

Front Load Dryer 'Y' Connector

PARTS SUPPLIED



CONNECT INLET HOSES



If possible install the "Y" connector directly, thread the short extension hose on to the COLD water supply and snug it by hand; then tighten it another $\frac{2}{3}$ turn with pliers. Thread the "Y" connector to the short extension hose and snug it by hand; then tighten it another $\frac{2}{3}$ turn with pliers

Connect the COLD inlet hose for the washer to the "Y" connector and snug it by hand; then tighten it another $\frac{2}{3}$ turn with pliers.

Connect the straight end of a long hose to the other outlet on the "Y" connector and snug it by hand. Connect the hose's 90° coupling to the brass water inlet on the back of the dryer and snug it by hand. Tighten each connection of the dryer inlet hose another $\frac{2}{3}$ turn with pliers. Turn on the water and check for leaks at all connections.

Front Load Laundry Accessories

Required for Installation:

Fill Hose Kit—Use standard 3rd party kit available at your store for washers. Available in plastic and stainless steel.

Dryer Vent—Use standard 3rd party accordion style vent for electric and gas dryers.

Optional Accessories:

Pedestal—Elevates washer and dryer for easier loading and unloading. Convenient drawers provide extra storage under the washer and dryer for better organization in your laundry room.



White

Model # MLP1WW



Graphite Silver

Model # MLP1GS

Stacking Kit—Stack dryer on top of washer to maximize space. Customer should call Midea Service (Encompass) at 1-866-646-4332 to order.

Dryer Rack—Used to dry items such as shoes or hats so that they do not bounce around in the drum of the dryer. Customer should call Midea Service (Encompass) at 1-866-646-4332 to order.

Y Kit Adapter—A plastic Y connector is included with dryer but stainless steel versions may be available in-store if customers prefer.