



VERSATILE DRYING OPTIONS. AFFORDABLE PRICE POINT.

6.7 Cu. Ft. Front Load Dryer

MLE41N1AWW White (Electric)

MLG41N1AWW White (Gas)

Our versatile, 6.7 Cu. Ft. Dryer has 8 pre-set cycles and 4 temperature settings along with a convenient auto-dry feature. The reversible door can be adjusted to open from the left or right for maximum placement versatility.

Large, 6.7 Cu. Ft. Capacity

Dry everything at once including king-size comforters, towels and linens with the extra-large drum.

Sensor Dry

A sensor detects when your clothes are dry and automatically stops the dryer saving energy.

8 Total Cycles

5 Sensor Dry: Normal, Delicate, Casual, Heavy Duty, Bulky

3 Manual: Quick Dry, Time Dry, Air Fluff

6.7 Cu. Ft. Front Load Dryer

Models MLE41N1AWW, MLG41N1AWW

SPECIFICATIONS

Models	MLE41N1AWW (Electric) / MLG41N1AWW (Gas)	
UPC	810004812543 / 810004812550	
Color	White	
PERFORMANCE		
ENERGY STAR®	-	
FEATURES		
Capacity (cu. ft.)	6.7	
No. of Cycles	Total	8
	Sensor Dry	Normal, Delicate, Casual, Heavy Duty, Bulky
	Manual Dry	Quick Dry, Time Dry, Air Fluff
No. of Options	4 (My Cycle, Child Lock, Time Adjust, Wrinkle Care)	
Sensor Dry	Yes	
No. of Dryness Level Selections	4 (Very Dry, More Dry, Normal, Less Dry)	
No. of Temperature Selections	4 (High, Medium, Low, No Heat)	
Interior Light(s)	-	
Lint Filter	Yes	
Lint Filter Indicator Light	Yes	
My Cycle	Yes	
Steam Function	-	
Reversible Door	Yes	
3-Way Venting	Yes	
Exhaust Vent Location	Rear (Bottom, Left)	
End-Of-Cycle Signal	Yes	
ELECTRICAL		
Voltage (V)	120/240 (Electric) / 120 (Gas)	
Amperage (A)	23 (Electric) / 11 (Gas)	
UL Rated	Yes	
Power Cord Included	- (Electric) / Yes (Gas)	
PHYSICAL ATTRIBUTES		
Tub/Drum Material	Aluminized Alloy Steel	
Drum Rear	Stainless Steel	
Double Layer Drying Rack	-	
Control Panel / Color	Dial, Membrane / White	
Door / Trim	Injection White	
Color	White	
Dimensions (W*D*H)	in	27 x 30.1 x 43
	cm	68.6 x 76.5 x 109.2
Warranty	Parts & Labor, 1 Year	

4.1 Cu. Ft Impeller Washer & 6.7 Cu. Ft. Front Load Dryer

Models MLV41N1AWW, MLE41N1AWW, MLG41N1AWW

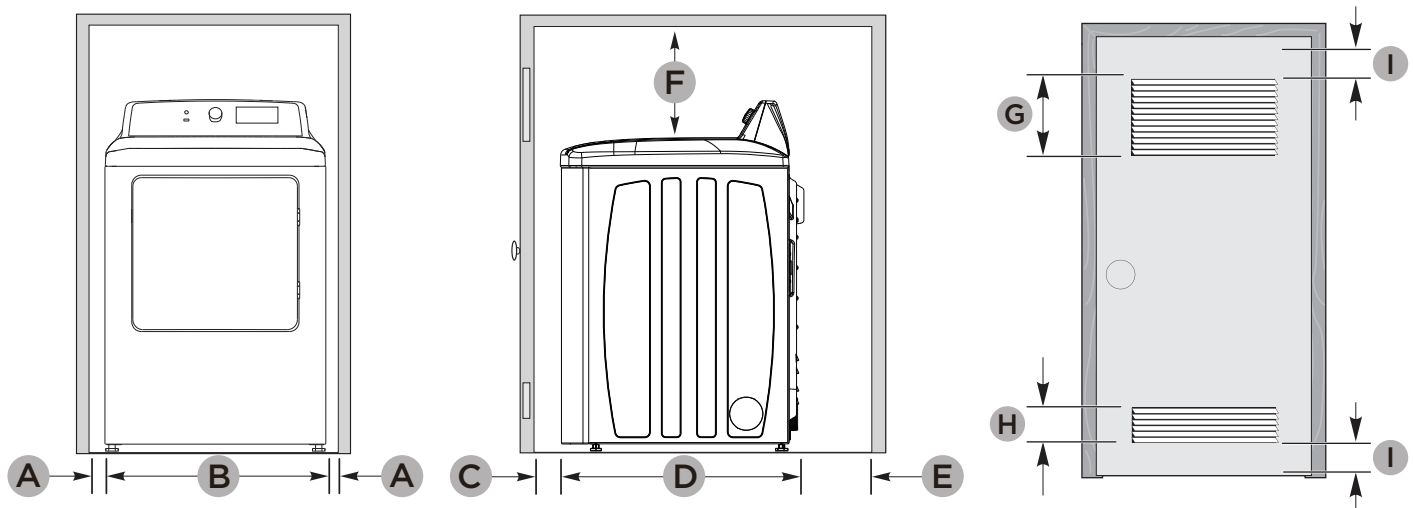
Alcove or Closet or Wall Insert/Recessed Installations

Minimum clearances between the unit and adjacent walls or other surfaces:

Sides (in / cm)	1 / 2.5	Rear (in / cm)	6 / 15.2
Top (in / cm)	24 / 61	Closet Front (in / cm)	2 / 5.1
Gap between the end of water valve and the wall (in / cm)		5 / 12.7	

If installing in an alcove or closet, minimum clearances for closet door:

Minimum total area of two unobstructed air openings (in ² / cm ²)	72 / 465	Minimum clearance at the top and bottom (in / cm)	3 / 7.6
------------------------------------------------------------------------------------------	----------	---------------------------------------------------	---------



A (in / cm)	1 / 2.5
B (in / cm)	27 / 68.6
C (in / cm)	2 / 5.1

D (in / cm)	30.1 / 76.5
E (in / cm)	5 / 12.7
F (in / cm)	24 / 61

G (in ² / cm ²)	48 / 310
H (in ² / cm ²)	24 / 155
I (in / cm)	3 / 7.6

WARNING

- The dryer must be exhausted to the outside to reduce risk of fire when installed any place inside the house.
- No other fuel-burning appliance should be installed in the same closet as the dryer.