

TRULY INTEGRATED DESIGN, LOOKS COHESIVE AND LUXURIOUS

24" Built-in Panel Ready Dishwasher

MDT24X2APR Stainless

Complete the kitchen with a whisper-quiet 45 dBA Dishwasher, the completes the look and keeps your home quiet.

The convenient third rack is perfect for knives and large utensils. Electronic top control makes it easy to operate but provides a sleek finish.

Sanitize Cycle

A high temperature rinse cycle reduces 99.99% of bacteria from dishes and is NSF Certified.

Convenient Third Rack

Perfect for flatware, knives and serving utensils and for easy, safe loading and unloading of sharp objects.

Flip Tines

6 flip tines in the lower rack and 2 in the upper rack provide flexible loading options to meet your varying needs.

LED Lighting

Convenient, LED illumination lets you clearly see the inside making loading and unloading easier.

3 Wash Arms

A powerful, targeted clean with more water coverage on all three levels

Stainless Steel Tub

Durable stainless steel tub has a premium look and is built to last.

24" Built-in Panel Ready Dishwasher

Model MDT24X2APR



SPECIFICATIONS

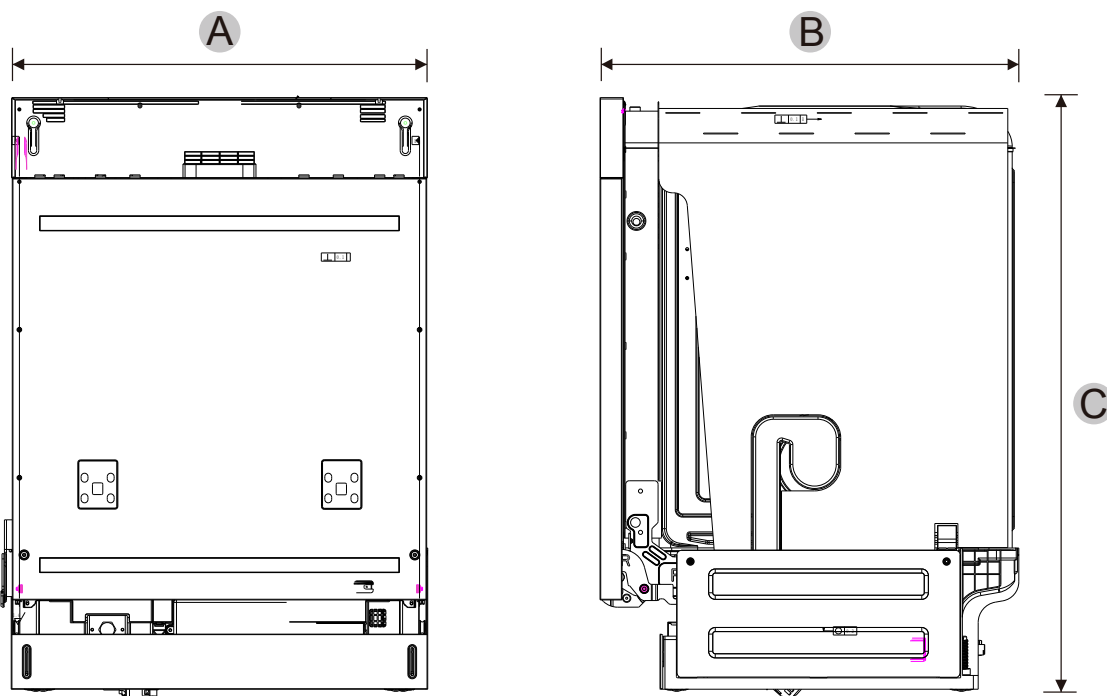
UPC		840296501368
Color		Stainless Steel
PERFORMANCE		
ENERGY STAR®		Yes
Energy Level (kW/yr)		260 - 270
Certification, Safety		UL, NSF
Sound Level (dBA)		45
HYDRAULIC SYSTEM		
Disposer		No
Filter System		Triple Filters
Main/Drain Pump		AC
Heating System		Visible
Water Metering		Flow Meter
Drying System		Fan Assisted
Tub Top Spray System		Rotary
3-Level Spray Wash (Top)		Yes, Single Plastic Rack
Middle Spray System		Rotary
Lower Spray System		Rotary
FEATURES		
Capacity (Place Settings)		14
No. of Cycles		6 (Heavy, Auto, Normal, Delicate, Express, Rinse)
No. of Options		3(Heated Dry,Hitemp,Sanitize)
Control Lock		Yes
Cancel & Drain or Reset Button		Yes
Start & Pause Button		Yes
Digital Leak Sensor		Yes
Overflow Sensor		Yes
Water Fill Sensor (Flow Meter)		Yes
Turbidity Sensor		Yes
Audible End of Cycle Signal		Yes
Triple Filter		Yes
Last Cycle Memory		Default to Auto Cycle with Heated Dry
Interior Lighting		Yes - 2 LED Lights
3rd Rack		Yes
Silverware Basket		3 pcs, Flexible
Upper Rack		
Height Adjustable		Yes - Quick Adjust with Touch Levers
Cup Shelves		Yes - 2 with Stemware Support
Flip Tines		2
Flip Tine Bracket Color		Midea Blue
Ball End Tines		Yes
Rack Color		Silver Metallic
Rack Handle		Plastic with Metal Logo
Lower Rack		
Flip Tines		6
Flip Tine Bracket Color		Midea Blue
Ball End Tines		Yes
Rack Color		Silver Metallic
Rack Handle		Plastic with Metal Logo
ELECTRICAL		
Power Supply		120V/60hz
Input Power (W)		1008
PHYSICAL ATTRIBUTES		
Fascia Style		Panel Ready
Button Style		Touch Control
Display/Cycle Indicator		8:88 Display
Tub Material		Stainless Steel
Inner Door Material		Stainless Steel
Finish		Coating
Dimensions (W*D*H)	in	23.9x 24 x 33.8
	mm	60.6 x 610 x 85.7
Net Weight	lbs	112
	kg	45

24" Built-in Panel Ready Dishwasher

Model MDT24X2APR

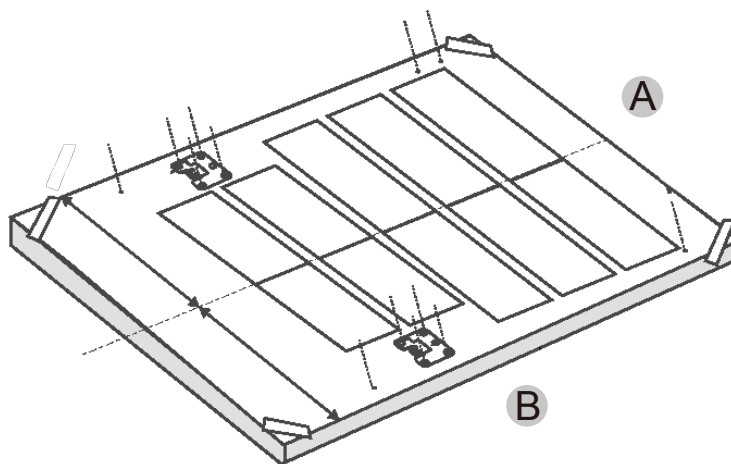


UNIT DIMENSIONS



A (in / mm)	23.9 / 606	B (in / mm)	24 / 610	C (in / mm)	33.8 / 857
--------------------	------------	--------------------	----------	--------------------	------------

PANEL DIMENSIONS



A (in / mm)	23.8 / 606	B (in / mm)	29.5 / 610
--------------------	------------	--------------------	------------

24" Built-in Panel Ready Dishwasher

Model MDT24X2APR



UNIT REQUIREMENTS

ELECTRICAL REQUIREMENTS

- This dishwasher is designed for operation on an adequately wired individual 120 V, 60 Hz, 15- or 20-amp fused electrical supply with copper wire only. It is recommended that a time-delay fuse or circuit breaker is used, and that a separate circuit serving only this appliance is provided. If an outlet is used, the outlet should be placed in adjacent cabinet.

LOCATION REQUIREMENTS

- Install where dishwasher is protected from the elements. Protect against freezing to avoid possible rupture of fill valve. Such ruptures are not covered by the warranty. For winter storage information, see "Storing" in the "Dishwasher Care" section in the user manual.
- Install and level dishwasher on a floor that will hold the weight and in an area suitable for its size and use.

WATER SUPPLY REQUIREMENTS

- The water supply temperature should be 120°F to 150°F (49°C to 66°C).
- The water supply must maintain water pressure between 20 and 80 psi for sufficient flow.