

MASON & DECK™

EVAPORATIVE AIR COOLER (INDOOR/OUTDOOR)

User Manual

Read and save these instructions before use

REFROIDISSEUR D'AIR PAR ÉVAPORATION (INTÉRIEUR/EXTÉRIEUR)

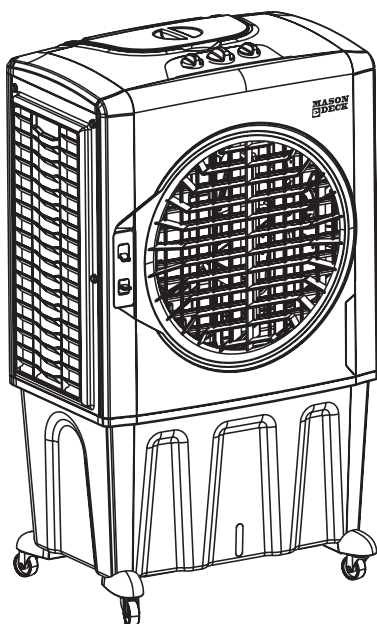
Mode d'emploi

Lire ces instructions avant l'utilisation et les conserver

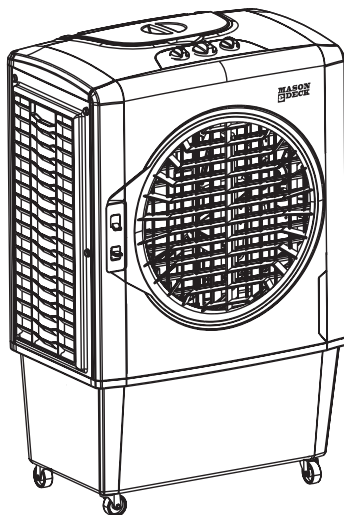
ENFRIADOR DE AIRE EVAPORATIVO (INTERIOR/EXTERIOR)

Manual del propietario

Lea y guarde estas instrucciones antes de usar



ME2MOGO



ME1MOGO

SAFETY & MAINTENANCE GUIDE

THANK YOU

Congratulations on your purchase of this versatile Mason & Deck™ Evaporative Air Cooler. The Safety & Maintenance Guide and the separate User Manual are intended to provide you with important information needed to set up, operate, maintain and troubleshoot this product.

SAFETY RULES

WARNING—READ AND SAVE THE AIR COOLER GUIDE AND USER MANUAL

The Air Cooler Guide and User Manual are intended to provide important information needed to set up, operate, maintain and troubleshoot your Air Cooler. Failure to follow these instructions may damage and/or impair its operation, create hazards, and void the warranty. In case there is any inconsistency or conflict between the English version and any other language version of the content of this material, the English version shall prevail.

READ AND SAVE THESE INSTRUCTIONS:

When using electrical appliances, basic safety precautions should always be followed:

- This appliance can be used by children aged from 8 years and above and persons with reduced physical, sensory or mental capabilities or lack of experience and knowledge if they have been given supervision or instruction concerning use of the appliance in a safe way and understand the hazards involved. Children shall not play with the appliance. Cleaning and user maintenance shall not be made by children without supervision.
- DO NOT operate with a damaged cord or plug. If the supply cord is damaged, it must be replaced with a supply cord which is as per manufacturer's specifications, by the authorized service centre or its service agent or a similarly qualified person in order to avoid a hazard.
- Before operating the product, remove the packaging and check that product is in good condition.
- DO NOT allow children to play with this appliance, packaging or plastic bags.
- Check the household voltage to ensure it matches the appliance's rating specifications.
- DO NOT use an extension cord with this unit.
- DO NOT run power cord under carpeting, or cover it with rugs or runners. Keep the cord away from areas where it may be tripped over.
- Always ensure the water tank is filled with water above the "min." level mark, when operating the air cooler in evaporative COOLING mode.
- Always unplug the Air Cooler before refilling the water tank, cleaning, servicing or relocating the unit.

SAFETY & MAINTENANCE GUIDE (CONTINUED)

SAFETY RULES (CONTINUED)

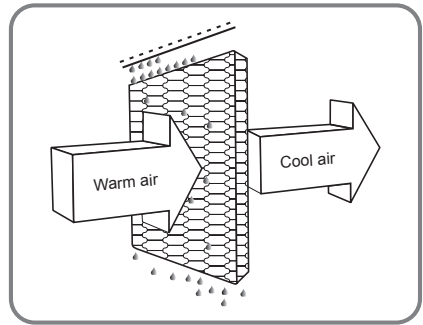
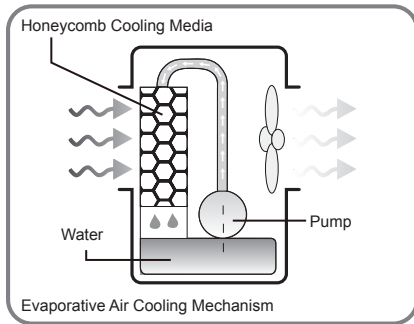
- Never pull the cord. Remove it from the electrical outlet/ socket by grasping and pulling on the plug-end of the cord.
- This appliance has been manufactured for use in domestic environments and must not be used for other purposes.
- DO NOT use in areas where gasoline, paint or other flammable goods and objects are stored.
- DO NOT operate the unit on COOL setting with an empty tank as this may result in damage to the water pump.
- DO NOT attempt to repair or adjust any electrical or mechanical functions of the Air Cooler, as this may void the warranty.
- DO NOT cover the cooler's air inlet or outlet, as this may damage the motor.
- DO NOT insert or allow objects to enter any ventilation or exhaust opening, as this may damage the unit and may cause electrical shock or fire.
- DO NOT operate with the Honeycomb Cooling Media removed, as this will overload and damage the motor.
- DO NOT leave the operating appliance unattended for an extended period of time.
- DO NOT continue to operate the unit if it is damaged or if it malfunctions. Refer to the Troubleshooting section. If problem still exists contact the Customer Support Center.
- Always place the unit on a dry level floor.
- DO NOT use in bathrooms or near water. DO NOT keep the product where it may fall into water or a water container.
- Store in a dry area when not in use.
- Always grip the side handles to move the Air Cooler.
- **WARNING:** To reduce the risk of fire or electric shock, do not use this appliance with any solid state speed control device.

SAFETY & MAINTENANCE GUIDE (CONTINUED)

USER TIPS

What is Evaporative Cooling?

Mason & Deck™ Evaporative Air Coolers are built to maximize energy efficiency and keep energy costs low. Warm air is drawn into the cooler and enters the Honeycomb Cooling Media. Water pumped from the water tank pours over the Honeycomb Cooling Media. As the warm air passes through the Honeycomb Cooling Media, the water absorbs the heat, naturally cooling and humidifying the air. A fan propels the cooled air out into the room. This no-compressor system cools naturally, efficiently and inexpensively.



The recommended maximum relative humidity level is 60% or less, which allows a noticeable temperature decrease. The temperature will be lower in drier climates because higher evaporation occurs when the humidity is low.

NOTE

When the product is used for the first time the Honeycomb Cooling Media will have an odor which will dissipate in a few hours or so of initial use.

SAFETY & MAINTENANCE GUIDE (CONTINUED)

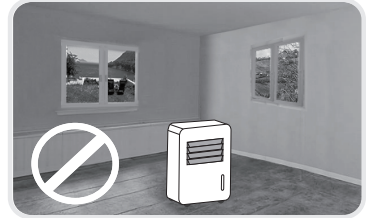
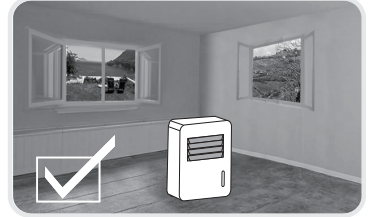
COOLER LOCATION

To maximize efficiency, position the Air Cooler according to the following guidelines:

Indoors

Place the cooler in front of an open door or window. Ensure that there is adequate cross-ventilation in the room by leaving a door or window open opposite the cooler.

The Evaporative Air Cooler should not be used in enclosed spaces. It must be kept level and there must be water in the water tank. Doors and windows should be opened to allow free air flow. The Evaporative Air Cooler works best when placed near an open window, so that outside air is drawn into the Evaporative Air Cooler, circulates in the room, then exits via the door. The maximum cooling effect is felt when a person is near the flow of air coming out of the Evaporative Air Cooler. The Evaporative Air Cooler produces moisture and can be used to humidify dry air. To be used for humidification the windows and doors should be closed.



IMPORTANT: THE EVAPORATIVE AIR COOLER IS NOT AN AIR CONDITIONER AS IT DOES NOT USE A COMPRESSOR OR REFRIGERANT GAS. IT SHOULD NOT BE EXPECTED TO COOL AS EFFICIENTLY AS A REFRIGERATED AIR CONDITIONER.

Outdoors (for outdoor models only)

- Use only on GFCI Protected outlets/ sockets (for USA only). Press the TEST button (then RESET button) every month to ensure proper operation.
- Power cords must be secured to avoid tripping.
- The wiring and connections must be protected from water. The electrical plug and Air Cooler connections must be dry at all times. When used outdoors, insert the air cooler electrical plug into an IP44 compliant outdoor electrical outlet.
- Set the unit on a solid flat surface.

IMPORTANT: Mason & Deck™ Outdoor Air Cooler models are designed to IPX4 product standards and not recommended to be placed outdoors during heavy rain or snow.

SAFETY & MAINTENANCE GUIDE (CONTINUED)

STORAGE AND MAINTENANCE GUIDELINES

Read the detailed CLEANING & DRAINING THE WATER TANK instructions for your Air Cooler, located in the separate User Manual. Below is a general guideline for maintenance and storage of your Air Cooler.

WARNING: Always switch OFF the Air Cooler and unplug it from the electrical source before cleaning or maintenance.

Cleaning

At least once a week, drain the water tank completely and refill with fresh water. Doing this will greatly reduce mineral deposits and help to extend the life of the Honeycomb Cooling Media.

End of Season Storage

If the Air Cooler will not be used for a long time:

- Make sure all parts are dry by running the Fan Only mode for about 1 to 2 hours before storing (time depends on ambient humidity conditions).
- Switch OFF the Air Cooler and unplug from the power supply.
- Empty/drain all the water from the tank. Note: If the unit is connected to a continuous water supply, you must switch off the water supply and remove the drain tube before draining the water tank.
- Clean the water tank with a damp cloth to wipe away any dust or mineral deposits.
- Remove the Honeycomb Cooling Media and Carbon Dust Filter* from the Air Cooler and rinse under fresh water to remove dust and dirt.
- Replace the Honeycomb Cooling Media and Carbon Dust Filter* after they are clean and dry.
- To protect the unit from dust, moisture and scratches, cover with a clean cloth, tarp or plastic bag before storing.
- Coil the power cord and store it away from the floor to protect it.
- Store this unit at room temperature in a dry location, away from direct sunlight and/or very hot, cold or damp environments.

* Carbon Dust Filter is available in specific models of Mason & Deck™ Evaporative Air Coolers only. Check the Parts Description in the User Manual for your model to see if it includes a Carbon Dust Filter.

SAFETY & MAINTENANCE GUIDE (CONTINUED)

TROUBLESHOOTING GUIDE

Customer Service Center Contact: See last page of User Manual.

PROBLEM	POSSIBLE CAUSE	SOLUTION
No discharge of air.	Cord is not plugged in.	Make sure power cord is plugged in and the switch is ON.
	Power is not ON.	Turn the unit ON by pressing the power button on the control panel / remote control or turn the SPEED knob.
Not Cooling.	Pump is not turned ON.	For evaporative cooling to start, turn on COOL function from remote on control panel.
	Air is too humid.	Evaporative cooling creates moisture & the cooling effect is best in humidity of 60% or lower.
	Room Conditions.	Environmental factors can affect the cooling effect such as too much direct sunlight entering the room, too many people inside the room, too much humidity.
	Not enough Cross Ventilation.	Windows and/or a door should be kept open to allow for adequate cross ventilation.
Unit is making noise.	Unit is loud or making too much noise	It is normal for noise to be produced as this evaporative air cooler creates powerful wind with large fan blades and/or powerful blower. Reduce the fan speed for lower noise levels if needed.
Excessive humidity when used indoors.	In cooling mode, the Air Cooler produces moisture as a result of evaporative cooling. This is normal.	The Air Cooler cools best in dry climates. If the ambient humidity level is high (approx. 60% or above), refrain from using the Air Cooler until ambient humidity is reduced.
		Make sure the window/doors are open and there is adequate cross-ventilation in the room so that the moisturized air can circulate better. Do not use the evaporative cooling function on days with high ambient humidity.

SAFETY & MAINTENANCE GUIDE (CONTINUED)

TROUBLESHOOTING GUIDE (CONTINUED)

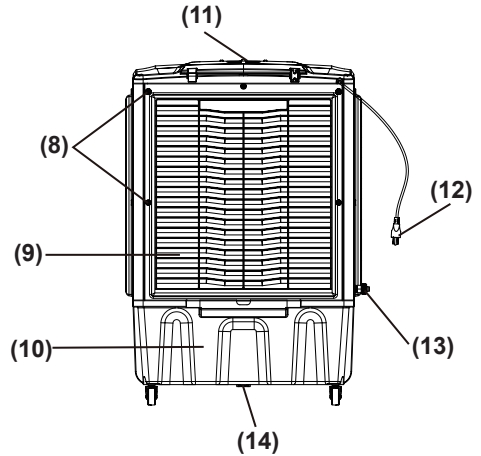
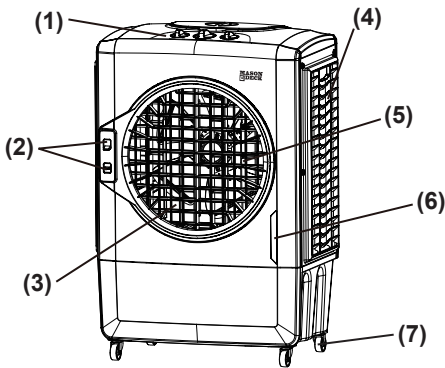
PROBLEM	POSSIBLE CAUSE	SOLUTION
Odors.	When the Cooler is new.	When the unit is used for the first time, the Honeycomb Cooling Media will have an odor, which will dissipate within a few hours of initial use.
	Algae or mold due to moist parts. In very damp conditions, algae may form.	Check the Honeycomb Cooling Media. If you see mold spots on the media or suspect an algae issue, remove and replace the Honeycomb Cooling Media. Contact the Customer Service Center for more information.
The unit does not respond.	Damaged Control Panel on unit.	Contact the Customer Service Center.
The outdoor Air Cooler is wet from rain.	The Air Cooler was placed outdoors (this is only allowed for outdoor Air Cooler models) and soaked by heavy rain.	A small amount of rain on the unit is not a problem as long as the electrical plug and outlet are dry. If they are wet, DO NOT touch the unit or electrical plug/outlet. Switch off the master power for the outlet before unplugging the unit from the electrical outlet. Make sure all outlets and plugs are dry before use.
		The Air Cooler is designed to IPX4 product standards and not recommended to be placed outdoors during heavy rain conditions. Do not operate the Air Cooler when wet. Wait for the Air Cooler to dry before plugging in and turning on the unit again.

USE & OPERATION

WARNING -- READ AND SAVE THE AIR COOLER SAFETY & MAINTENANCE GUIDE AND USER MANUAL BEFORE USING THIS PRODUCT. FAILURE TO FOLLOW THESE INSTRUCTIONS MAY DAMAGE AND/ OR IMPAIR ITS OPERATION AND VOID THE WARRANTY. IN CASE THERE IS ANY INCONSISTENCY OR CONFLICT BETWEEN THE ENGLISH VERSION AND ANY OTHER LANGUAGE VERSION OF THE CONTENT OF THIS MATERIAL, THE ENGLISH VERSION SHALL PREVAIL.

PARTS DESCRIPTION

ME1MOGO



1) Control Panel

2) Lever for Horizontal Louvers

3) Louvers

4) Left Side Grill &
Honeycomb Cooling Media

5) Front Air Vent

6) Water Level Indicator

7) Casters

8) Rear Grill Screws

9) Rear Grill &
Honeycomb Cooling Media

10) Water Tank

11) Water Fill Door & Ice
Compartment

12) Power Cord & Plug

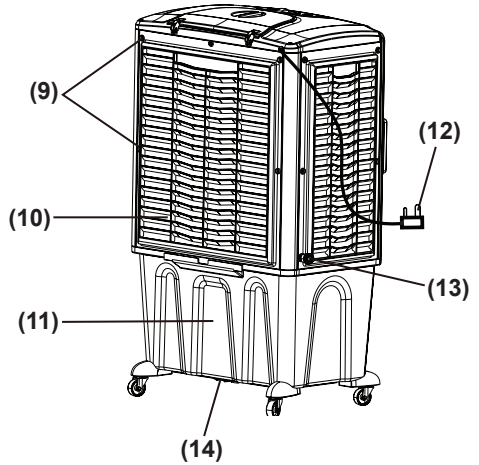
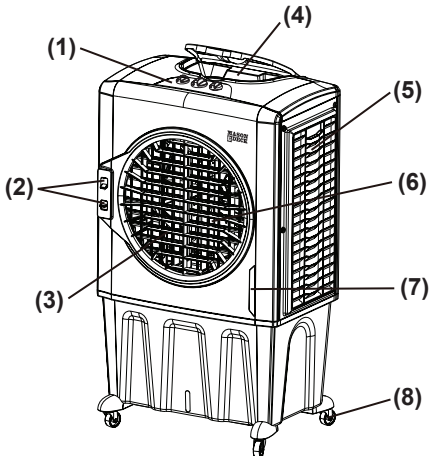
13) Water Inlet Valve for Continuous
Water Supply Connection

14) Drain Plug

USE & OPERATION (CONTINUED)

PARTS DESCRIPTION

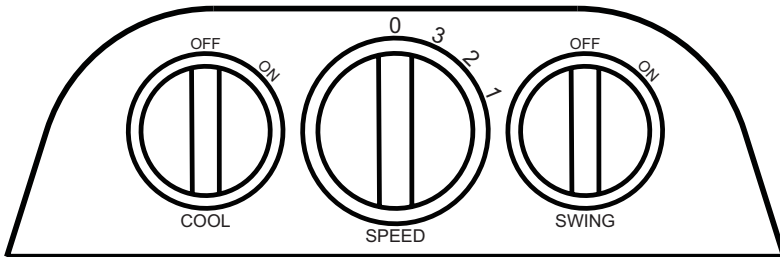
ME2MOGO



- | | |
|--|--|
| 1) Control Panel | 8) Casters |
| 2) Lever for Horizontal Louvers | 9) Rear Grill Screws |
| 3) Louvers | 10) Rear Grill & Honeycomb Cooling Media |
| 4) Water Fill Door & Ice Compartment | 11) Water Tank |
| 5) Left Side Grill & Honeycomb Cooling Media | 12) Power Cord & Plug |
| 6) Front Air Vent | 13) Water Inlet Valve for Continuous Water Supply Connection |
| 7) Water Level Indicator | 14) Drain Plug |

USE & OPERATION (CONTINUED)

CONTROL PANEL



FUNCTION BUTTONS

SPEED / ON - OFF

Connect to the power supply and turn the SPEED knob. The fan will start. Change the speed from 3 to 1 (1 for Low, 2 for Medium and 3 for High fan speed). To switch OFF the unit, turn the SPEED knob to 0.

COOL

You must add water before operating the unit on Cool mode. Turn the COOL knob to the ON position to activate evaporative cooling. The water pump will operate and you will feel the cooler air after the Honeycomb Cooling Media is completely wet.

SWING

Turn the SWING knob to the ON position to activate the movement of the louvers. The louvers will begin to move left to right automatically. Vertical Air Flow - You can manually adjust the lever located at the front of the unit to change vertical air flow.

COOLER LOCATION

Make sure to position the air cooler correctly before you set up and start using the product. Please refer to the COOLER LOCATION in the Safety & Maintenance section (Page 4).

USE & OPERATION (CONTINUED)

FILLING WITH WATER

It is ideal to use the Continuous Water Supply Connection to run the unit for long periods of time without refilling the tank. This also helps prevent pump failure in case the cooler is running with inadequate water in the tank.

CAUTION: Unplug the unit from the electrical power outlet before filling or emptying the water tank.

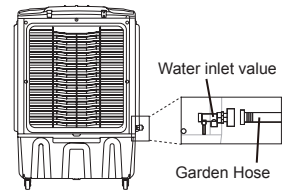
Continuous Water Supply Connection:

For a continuous water supply, you will need a garden hose that is connected to a main water supply.

Note: The garden hose is not included. Please make use of a garden hose which is compatible with the unit connection.

- Locate the male connector at one end of the garden hose. Insert the garden hose connector into the water inlet valve of the cooler. Screw and tighten the water inlet valve onto the threaded part of the garden hose connector, making sure the hose connector is secured to ensure there will be no leaks. If there is leakage, the hose and the water inlet valve may not be connected properly. Try to disconnect, replace and tighten the water inlet valve again.
- When the connection is secured, turn ON the water supply and the water will flow into the water tank of the cooler.
- The cooler is now set so the water refills automatically.
- When the water tank is full, the water inlet valve will automatically stop the water supply from overflowing.
- Please open the water valve for minimum flow as too much pressure could damage the inlet pressure control system.

WARNING: The maximum water inlet pressure is 0.5 MPa.

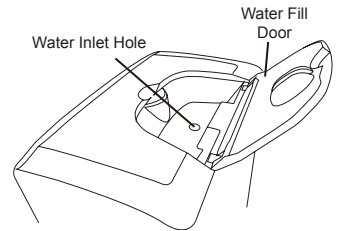


USE & OPERATION (CONTINUED)

FILLING WITH WATER (CONTINUED)

Manual Water Tank Refill:

- Using a portable container or a garden hose, you can refill the water tank manually by pouring water into the water tank through the water inlet hole located at the top of the air cooler.
- Check the water level indicator to know when the water tank is full. Do not fill water above the "Max." water level mark to avoid water droplets collecting on the louvers.



WARNING: Always ensure the water in the water tank is above the minimum (Min.) water level mark for both Continuous & Manual Water Refill. Running the unit in Cool mode with inadequate water may cause pump failure.

Note: The water capacity refers to the total volume of water that can be contained within the air cooler water tank and water distribution system. The water capacity in the tank at the "Max." indicator level may be lower than the actual water capacity of the air cooler.

WARNING: Do not fill water tank with dirty water or salt water. This can damage the unit and Honeycomb media.

LOW WATER PUMP CUT-OFF*

In Cooling Mode, when water in the tank is below the minimum indicator level, the air cooler water pump will automatically turn off. This helps to protect the water pump from running without water in the tank. When the water pump is turned off, the air coolers stops evaporative cooling.

To reactivate the water pump and restart the unit in Cooling Mode, first switch OFF the unit and unplug from the power outlet. Fill the water tank with fresh water above the minimum level mark. Plug in and switch the unit ON again.

*Applicable for models with Low Water Pump Cut-off only.

USE & OPERATION (CONTINUED)

CLEANING & DRAINING THE WATER TANK

If the cooler will not be used for a long period of time, please refer to the STORAGE & MAINTENANCE GUIDELINES section (Page 5).

WARNING:

Before cleaning the unit, switch the unit OFF and disconnect from the electrical socket.

- Move the unit to a location where the water can be drained. Remove the cap from the Drain plug located at the bottom of the unit. Allow the tank to empty.
- Refill the water tank with clean water, up to the maximum level and drain it completely.
- Use a damp cloth to remove the dirt and dust from the surface of the unit. Never use corrosive elements or chemicals to clean this product.
- When the product is not in use, store the unit in a dry place away from direct sunlight.

CLEANING THE HONEYCOMB COOLING MEDIA

- The appliance is supplied with three Honeycomb Cooling Media pads.
- The Honeycomb Cooling Media are located inside the Rear and Side Grills. Follow Steps 1 to 5 for instructions on how to remove them from the unit for cleaning and maintenance.
- Do not run the unit in COOL mode with stale water in the tank. You must empty the water tank and refill with fresh water, especially if the tank has not been cleaned in a long time.
- The cleaning frequency for the Honeycomb media depends on local air and water conditions. In areas where the mineral content of water is high, mineral deposits may build up on the Honeycomb Cooling Media and restrict air flow. Draining the water tank and refilling with fresh water at least once a week will help reduce mineral deposits. If mineral deposits remain on the Honeycomb Cooling Media, the media should be removed and washed under fresh water. The media should be cleaned every two months or sooner, depending on your needs.
- For best results allow the Honeycomb Cooling Media to dry after each use by turning off the cool function 15 minutes before turning the unit off.

USE & OPERATION (CONTINUED)

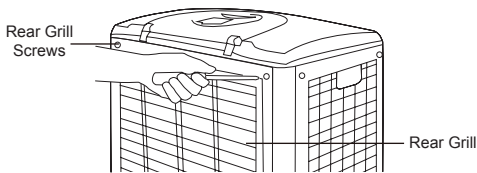
CLEANING THE HONEYCOMB COOLING MEDIA (CONTINUED)

Removing the Honeycomb Cooling Media:

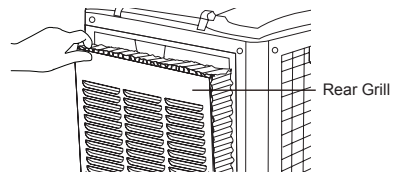
1. Remove the screws from the Rear Grill of the Air Cooler.
2. Carefully pull out the Rear Grill from the Air Cooler.
3. The Honeycomb Cooling Pad is secured on the Rear Grill by two Horizontal Bars that are fixed in place by two screws on the Left and Right Sides of these Horizontal Bars. Remove these screws to release the Horizontal Bars.
4. Pull out the Honeycomb Cooling Pad by sliding it out from the Rear Grill. Replace with the new Honeycomb Cooling Pad by sliding into the grooves of the Rear Grill until it fits comfortably and securely in place on the grill. Replace the Horizontal Bars back onto the Rear Grill by replacing the Left and Right Side screws and tightening them in place. This secures the Honeycomb Cooling Pad in place on the Rear Grill.
5. Repeat steps 1 to 4 to remove the Honeycomb Cooling Pad on the Left and Right Side Grills.

WARNING: DO NOT operate the Air Cooler when any or all of the Rear or Side Grills are removed from the Air Cooler, or if there is a loose-fitting Rear or Side Grill. Doing so can cause serious injury or dangerous electrical shock.

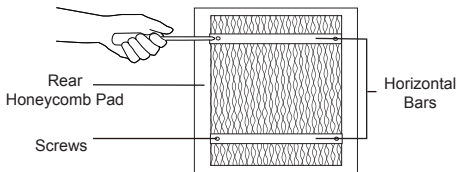
Step 1:



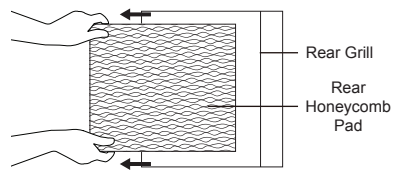
Step 2:



Step 3:



Step 4:



GUIDE DE SÉCURITÉ ET D'ENTRETIEN

REMERCIEMENTS

Félicitations pour votre achat de ce refroidisseur d'air par évaporation entièrement polyvalent de Mason & Deck^{MC}.

Le Guide de sécurité et d'entretien ainsi que le Manuel d'utilisation ont été créés pour fournir des renseignements importants sur l'installation, l' fonctionnement, l'entretien et le dépannage de ce produit.

RÈGLES DE SÉCURITÉ

AVERTISSEMENT - LIRE ET CONSERVER LE GUIDE ET LE MANUEL D'UTILISATION DU REFROIDISSEUR D'AIR

Le Guide et le Manuel d'utilisation du refroidisseur d'air sont destinés à fournir des renseignements importants sur l'installation, le fonctionnement, l'entretien et le dépannage de votre refroidisseur d'air. Le non-respect de ces consignes pourrait endommager l'appareil et/ou perturber son fonctionnement, provoquer des risques et annuler la garantie. En cas d'incompatibilité ou de conflit entre la version anglaise et toute autre version linguistique du contenu de ce matériel, la version anglaise prévaudra.

LIRE ET CONSERVER CES CONSIGNES:

Lors de l'utilisation d'appareils électriques, les mesures de sécurité élémentaires suivantes doivent toujours être suivies :

- L'appareil peut être utilisé par des enfants âgés de 8 ans ou plus, ainsi que par des personnes présentant des capacités réduites sur le plan physique, sensoriel ou mental, ou manquant d'expérience et de connaissances, à condition qu'ils fassent l'objet d'une supervision ou qu'ils aient reçu des instructions préalables concernant l'utilisation de l'appareil de manière sécuritaire et qu'ils aient compris les risques encourus. Les enfants ne doivent pas jouer avec l'appareil. Le nettoyage ou l'entretien ne doit pas être effectué par des enfants sans supervision.
- NE PAS utiliser avec une prise ou un cordon endommagés. Si le cordon d'alimentation est endommagé, il doit être remplacé par un cordon d'alimentation conforme aux spécifications du fabricant, par le centre de services agréé, son agent de service ou une personne possédant des qualifications similaires afin d'éviter tout danger.
- Avant d'utiliser l'appareil, retirer l'emballage et vérifier le bon état du produit.
- NE PAS permettre aux enfants de jouer avec l'appareil, l'emballage ou les sacs en plastique.
- Vérifier la tension résidentielle afin de s'assurer qu'elle convient aux spécifications de l'appareil.
- NE PAS utiliser de rallonge électrique avec cet appareil.
- NE PAS faire passer le cordon électrique sous la moquette ou le recouvrir avec un tapis ou un chemin de couloir. Garder le cordon à l'écart des endroits où il pourrait provoquer une chute.
- Vérifier systématiquement que l'eau du réservoir dépasse le repère de niveau minimum (Min.) lorsque le refroidisseur d'air fonctionne en mode COOLING (refroidissement) par évaporation.
- Débrancher systématiquement le refroidisseur d'air avant de procéder au remplissage du réservoir d'eau, au nettoyage, à l'entretien ou au déplacement de l'appareil.

GUIDE DE SÉCURITÉ ET D'ENTRETIEN (SUITE)

RÈGLES DE SÉCURITÉ (SUITE)

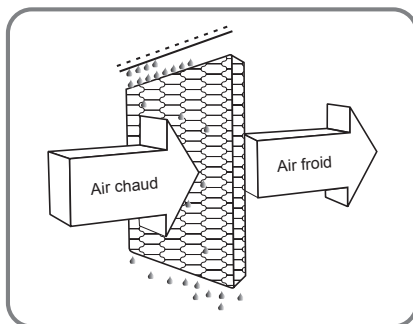
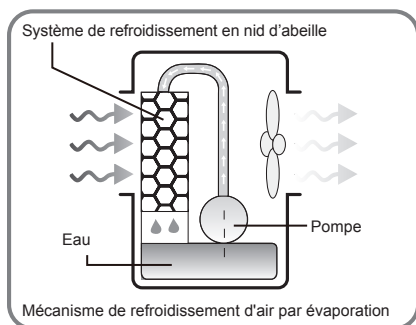
- Ne jamais tirer sur le cordon. Pour débrancher l'appareil, saisir la fiche, puis tirer à partir de la prise de courant.
- Cet appareil a été fabriqué pour être utilisé en milieu domestique et ne doit pas être utilisé à d'autres fins.
- NE PAS utiliser dans des endroits où l'essence, la peinture ou d'autres produits ou objets inflammables sont entreposés.
- NE PAS faire fonctionner l'appareil en mode COOL (refroidissement) avec un réservoir vide au risque d'endommager la pompe à eau.
- NE PAS tenter de réparer ou de régler les fonctions électriques ou mécaniques du refroidisseur d'air au risque d'annuler la garantie.
- NE PAS couvrir l'entrée ou la sortie d'air du refroidisseur au risque d'endommager le moteur.
- NE PAS insérer ou laisser un objet pénétrer dans une quelconque ouverture de ventilation ou d'évacuation au risque d'endommager l'appareil et de causer un choc électrique ou un incendie.
- NE PAS faire fonctionner l'appareil sans le système de refroidissement en nid d'abeille, car cela surchargera et endommagera le moteur.
- NE PAS laisser l'appareil en fonctionnement sans surveillance durant une longue période.
- NE PAS continuer de faire fonctionner l'appareil s'il est endommagé ou défectueux. Voir la section Dépannage. Si le problème persiste, contacter le centre de soutien à la clientèle.
- Placer systématiquement l'appareil sur une surface plane et sèche.
- NE PAS utiliser dans les salles de bains ou à proximité de l'eau. NE PAS placer l'appareil dans un endroit où il risque de tomber dans l'eau ou dans un contenant d'eau.
- Ranger l'appareil dans un endroit sec lorsqu'il n'est pas utilisé.
- Déplacer systématiquement le refroidisseur d'air au moyen des poignées latérales.
- **AVERTISSEMENT:** Afin de réduire les risques d'incendie ou de choc électrique, ne pas utiliser cet appareil avec un variateur d'intensité à semi-conducteur.

GUIDE DE SÉCURITÉ ET D'ENTRETIEN (SUITE)

CONSEILS D'UTILISATION

Qu'est-ce que le refroidissement par évaporation?

Les refroidisseurs d'air par évaporation de Mason & Deck^{MC} sont conçus pour maximiser l'efficacité énergétique et pour maintenir les coûts énergétiques à de bas niveaux. L'air chaud est aspiré dans le refroidisseur et entre dans le système de refroidissement en nid d'abeille. L'eau pompée à partir du réservoir se déverse sur le système de refroidissement. Lorsque l'air chaud circule dans le système de refroidissement, l'eau absorbe la chaleur en refroidissant et en humidifiant naturellement l'air. Un ventilateur projette l'air refroidi dans la pièce. Ce système sans compresseur rafraîchit d'une manière naturelle, efficace et peu coûteuse.



Le taux d'humidité relative maximal recommandé est de 60% ou moins, ce qui permet une diminution perceptible de la température. La température sera plus faible dans des climats plus secs, étant donné qu'une plus grande évaporation se produit lorsque l'humidité est faible.

REMARQUE

Lorsque l'appareil est utilisé pour la première fois, une odeur se dégage du système de refroidissement en nid d'abeille, puis se dissipe dans les quelques heures suivant l'utilisation initiale.

GUIDE DE SÉCURITÉ ET D'ENTRETIEN (SUITE)

EMPLACEMENT DU REFROIDISSEUR D'AIR

Pour maximiser l'efficacité, positionner le refroidisseur d'air conformément aux directives suivantes :

À l'intérieur

Placer le refroidisseur d'air devant une porte ou une fenêtre ouverte. Vérifier la présence d'une ventilation transversale adéquate dans la pièce en laissant une porte ou une fenêtre ouverte à l'opposé du refroidisseur.

L'appareil ne doit pas être utilisé dans des espaces clos. Il doit être maintenu à l'horizontale et son réservoir doit contenir de l'eau en tout temps. Les portes et fenêtres doivent être ouvertes pour permettre la libre circulation de l'air. Le fonctionnement de l'appareil est optimal lorsqu'il est placé près d'une fenêtre ouverte pour permettre à l'air extérieur d'être aspiré dans l'appareil, de circuler dans la pièce et de sortir par la porte. Pour bénéficier de l'effet de refroidissement maximal, il faut se tenir à proximité de l'air sortant de l'appareil. Le refroidisseur d'air par évaporation produit de l'humidité et peut être utilisé pour humidifier l'air sec. S'il est utilisé pour l'humidification, les fenêtres et portes doivent être fermées.



IMPORTANT: LE REFROIDISSEUR D'AIR PAR ÉVAPORATION N'EST PAS UN CONDITIONNEUR D'AIR, ÉTANT DONNÉ QU'IL NE FONCTIONNE PAS AU MOYEN D'UN COMPRESSEUR NI D'UN GAZ RÉFRIGÉRANT. SON DEGRÉ DE REFOIDISSEMENT NE SERA PAS AUSSI EFFICIENT QU'UN CONDITIONNEUR D'AIR RÉFRIGÉRANT.

À l'extérieur (uniquement pour les modèles d'extérieur)

- Utiliser uniquement avec des prises protégées par des disjoncteurs de fuite à la terre (États-Unis seulement). Appuyer sur le bouton TEST, puis sur le bouton RESET une fois par mois pour assurer un bon fonctionnement.
- Pour éviter tout risque de trébuchement, les cordons d'alimentation doivent être disposés de manière sécuritaire.
- Le câblage et les connexions doivent être protégés de l'eau. La prise électrique et les connexions du refroidisseur d'air doivent être sèches en tout temps. Lorsque l'appareil est utilisé à l'extérieur, brancher la fiche électrique dans une prise extérieure conforme à la norme IP44.
- Placer l'appareil sur une surface plane et solide.

IMPORTANT: Les modèles de refroidisseur d'air par évaporation de Mason & DeckTMC sont conformes à la norme IPX4, et il n'est pas recommandé de les laisser à l'extérieur en cas de fortes pluies ou de neige abondante.

GUIDE DE SÉCURITÉ ET D'ENTRETIEN (SUITE)

DIRECTIVES DE RANGEMENT ET D'ENTRETIEN

Lire les consignes détaillées dans la section NETTOYAGE ET VIDANGE DU RÉSERVOIR D'EAU liée au refroidisseur d'air figurant dans le Manuel d'utilisation. Des directives générales d'entretien et de rangement du refroidisseur d'air sont exposées ci-dessous.

AVERTISSEMENT: Toujours ÉTEINDRE le refroidisseur d'air et le débrancher de la source électrique avant de procéder au nettoyage ou à l'entretien.

Nettoyage

Au moins une fois par semaine, vider complètement le réservoir de l'appareil et le remplir d'eau propre. Cela réduira considérablement les dépôts de minéraux et prolongera la durée de vie du système de refroidissement en nid d'abeille.

Rangement en fin de saison

Si le refroidisseur d'air n'est pas utilisé pendant une longue période :

- Faire fonctionner l'appareil – avant l'entreposage – en mode Fan (ventilation) seulement pendant une heure ou deux (selon l'humidité ambiante) de façon à sécher toutes les pièces.
- ÉTEINDRE le refroidisseur d'air et le débrancher de la prise électrique.
- Vider/vidanger entièrement l'eau du réservoir. Remarque : Si l'appareil est branché à une alimentation continue en eau, couper l'alimentation d'eau et retirer le tube de vidange avant de vider le réservoir d'eau.
- Nettoyer le réservoir d'eau avec un chiffon humide pour essuyer tout dépôt de poussière ou de minéraux.
- Retirer le système de refroidissement en nid d'abeille et le filtre dépoussiéreur à charbon* du refroidisseur d'air et le rincer à l'eau fraîche pour éliminer la poussière et la saleté.
- Remplacer le système de refroidissement en nid d'abeille et le filtre à poussière de carbone* lorsqu'ils sont propres et secs.
- Couvrir l'appareil avec un sac en toile, une bâche ou un sac en plastique avant son entreposage pour assurer une protection contre la poussière, l'humidité et les éraflures.
- Enrouler le cordon d'alimentation et le ranger sans contact avec le sol afin de le protéger.
- Entreposer l'appareil à température ambiante dans un endroit sec, à l'abri de la lumière directe du soleil et/ou des conditions extrêmes de chaleur, de froid ou d'humidité.

* Seuls certains modèles de refroidisseur d'air de Mason & Deck^{MC} sont munis d'un filtre à poussière de carbone. Dans le manuel d'utilisation du modèle, consulter la description des pièces pour savoir si un filtre à poussière de carbone est inclus.

GUIDE DE SÉCURITÉ ET D'ENTRETIEN (SUITE)

GUIDE DE DÉPANNAGE

Coordonnées du Centre de services à la clientèle : Consulter la dernière page du Manuel d'utilisation.

PROBLÈME	CAUSE POSSIBLE	SOLUTION
Aucune évacuation d'air.	Le cordon n'est pas branché.	S'assurer que le cordon d'alimentation est branché et que l'interrupteur est en mode marche (ON).
	L'appareil n'est pas en mode MARCHÉ (ON).	Mettre l'appareil en marche (ON) en appuyant sur le bouton d'alimentation situé sur le panneau de commande ou sur la télécommande, ou en tournant le bouton de vitesse.
Aucun refroidissement.	La pompe n'est pas en mode MARCHÉ (ON).	Pour démarrer le refroidissement par évaporation, activer la fonction refroidissement (COOL) à partir de la télécommande ou du panneau de commande.
	L'air est trop humide.	Le refroidissement par évaporation crée de l'humidité et l'effet de refroidissement est optimal lorsque le taux d'humidité est de 60 % ou moins.
	Conditions de la pièce.	Des facteurs environnementaux peuvent affecter l'effet de refroidissement, comme trop de lumière directe du soleil pénétrant dans la pièce, trop de personnes dans la pièce, trop d'humidité.
	Ventilation transversale insuffisante.	Les fenêtres et/ou une porte doivent rester ouvertes pour permettre une ventilation transversale adéquate.
Bruit excessif émanant de l'appareil.	L'appareil est bruyant ou fait trop de bruit	Un bruit est tout à fait normal, étant donné que le refroidisseur d'air par évaporation crée un vent puissant à l'aide de grandes pales de ventilateur et/ou d'un puissant ventilateur de soufflage. Le cas échéant, réduire la vitesse du ventilateur pour atténuer les niveaux sonores.
Humidité excessive lorsqu'il est utilisé à l'intérieur.	En mode refroidissement, l'appareil produit de l'humidité à la suite du refroidissement par évaporation. Cet effet est normal.	Le refroidissement de l'appareil est optimal par temps sec. Si le taux d'humidité ambiante est élevé (environ 60% ou plus), éviter d'utiliser l'appareil jusqu'à ce que l'humidité ambiante diminue.
		S'assurer que les fenêtres et les portes sont ouvertes et que la ventilation transversale est adéquate dans la pièce afin de permettre à l'air humide de mieux circuler. Ne pas utiliser la fonction de refroidissement par évaporation lorsque le taux d'humidité ambiante est élevé.

GUIDE DE SÉCURITÉ ET D'ENTRETIEN (SUITE)

GUIDE DE DÉPANNAGE (SUITE)

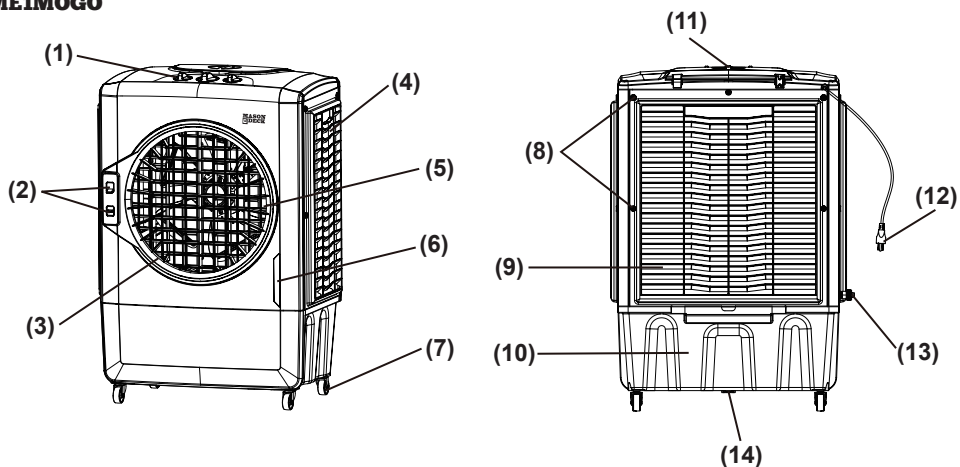
PROBLÈME	CAUSE POSSIBLE	SOLUTION
Odeurs.	Lorsque le refroidisseur est neuf.	Lorsque l'appareil est utilisé pour la première fois, une odeur se dégage du système de refroidissement en nid d'abeille; elle se dissipera après quelques heures suivant l'utilisation initiale.
	Des algues ou des moisissures liées à des composantes humides. Dans des conditions très humides, des algues peuvent se former.	Vérifier le système de refroidissement en nid d'abeille. En présence de moisissures ou en cas de suspicion d'un problème d'algue, retirer et remplacer le système de refroidissement en nid d'abeille. Pour plus de renseignements, communiquer avec le Centre de services à la clientèle.
Aucune réactivité de l'appareil.	Le panneau de commande de l'appareil est endommagé.	Contacter le Centre de services à la clientèle.
Le refroidisseur d'air extérieur est trempé à cause de la pluie.	Le refroidisseur d'air placé à l'extérieur (uniquement autorisé pour les modèles conçus pour une utilisation extérieure) est trempé après de fortes pluies.	Un peu de pluie sur l'appareil n'est pas un problème, tant que la fiche et la prise du courant sont sèches. Si elles sont trempées, NE PAS toucher l'appareil ou la fiche et la prise électrique. Mettre sur arrêt l'interrupteur secteur principal avant de débrancher l'appareil de la prise électrique. S'assurer que toutes les prises électriques et les fiches sont sèches avant toute utilisation.
		Le refroidisseur d'air est conçu conformément à la norme IPX4 et il n'est pas recommandé de laisser l'appareil à l'extérieur en cas de fortes pluies. Ne pas utiliser le refroidisseur d'air lorsqu'il est mouillé. Attendre que le refroidisseur d'air soit sec avant de le brancher et de le remettre en marche.

UTILISATION ET FONCTIONNEMENT

AVERTISSEMENT -- LIRE ET CONSERVER LE GUIDE DE SÉCURITÉ ET D'ENTRETIEN, ET LE MANUEL D'UTILISATION DU REFRIGÉRATEUR D'AIR AVANT D'UTILISER LE PRODUIT. LE NON-RESPECT DE CES CONSIGNES POURRAIT ENDOMMAGER ET/OU PERTURBER SON FONCTIONNEMENT ET ANNULER LA GARANTIE. EN CAS D'INCOMPATIBILITÉ OU DE CONFLIT ENTRE LA VERSION ANGLAISE ET TOUTE AUTRE VERSION LINGUISTIQUE DU CONTENU DE CE MATÉRIEL, LA VERSION ANGLAISE PRÉVAUDRA.

DESCRIPTION DES PIÈCES

ME1MOGO

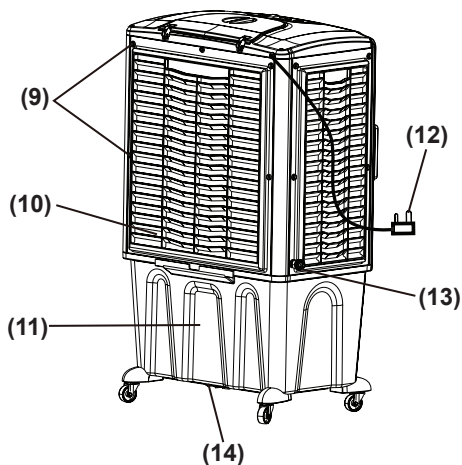
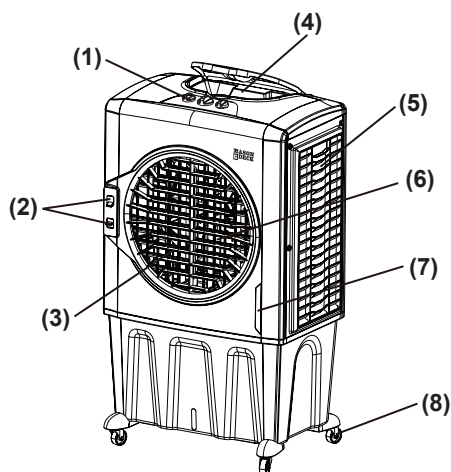


- | | |
|--|--|
| 1) Panneau de commande | 8) Vis de la grille arrière |
| 2) Levier pour grilles d'aération horizontales | 9) Grille arrière et Système de refroidissement en nid d'abeille |
| 3) Grilles d'aération | 10) Réservoir d'eau |
| 4) Grille latérale gauche et Système de refroidissement en nid d'abeille | 11) Porte de remplissage d'eau et Compartiment à glace |
| 5) Évent d'aération avant | 12) Cordon électrique et prise |
| 6) Indicateur de niveau d'eau | 13) Vanne d'entrée d'eau pour Raccord d'alimentation continue en eau |
| 7) Roulettes | 14) Bouchon de vidange |

UTILISATION ET FONCTIONNEMENT (SUITE)

DESCRIPTION DES PIÈCES

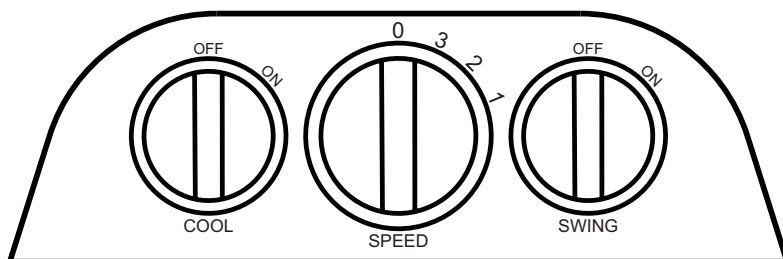
ME2MOGO



- | | |
|--|--|
| 1) Panneau de commande | 8) Roulettes |
| 2) Levier pour les grilles d'aération horizontales | 9) Vis de la grille arrière |
| 3) Grilles d'aération | 10) Grille arrière et Système de refroidissement en nid d'abeille |
| 4) Porte de remplissage d'eau et Compartiment à glace | 11) Réservoir d'eau |
| 5) Grille latérale gauche et Système de refroidissement en nid d'abeille | 12) Cordon électrique et prise |
| 6) Évent d'aération avant | 13) Vanne d'entrée d'eau pour Raccord d'alimentation continue en eau |
| 7) Indicateur de niveau d'eau | 14) Bouchon de vidange |

UTILISATION ET FONCTIONNEMENT (SUITE)

PANNEAU DE COMMANDE



BOUTONS DE FONCTION

SPEED (VITESSE) / ON - OFF (MARCHE - ARRÊT)

Brancher dans la prise électrique et tourner le bouton de la SPEED. Le ventilateur démarrera. Changer la vitesse de 1 à 3 (1 pour faible, 2 pour moyenne et 3 pour vitesse élevée de ventilation). Pour OFF l'appareil, tourner le bouton de la VITESSE à 0.

COOL (Refroidissement)

De l'eau doit être ajoutée avant d'utiliser l'appareil en mode COOL. Tourner le bouton COOL en position ON pour activer le refroidissement par évaporation. La pompe à eau fonctionnera en propulsant de l'air refroidi une fois que le système de refroidissement en nid d'abeilles sera complètement trempé.

SWING (Oscillation)

Tourner le bouton SWING en position ON pour activer le mouvement des persiennes. Les grilles d'aération commenceront à osciller de gauche à droite automatiquement. — Débit d'air vertical — il est possible de régler manuellement les grilles d'aération verticales pour modifier le débit d'air vertical.

EMPLACEMENT DU REFROIDISSEUR D'AIR

Vérifier que le refroidisseur d'air est correctement positionné avant de procéder à l'installation et à l'utilisation du produit. Voir la section Sécurité et Entretien (page 4).

UTILISATION ET FONCTIONNEMENT (SUITE)

REPLISSAGE DE L'EAU

Pour utiliser l'appareil pendant de longues périodes sans avoir à remplir le réservoir, il est conseillé d'utiliser le raccord d'alimentation continue en eau. Cela permet aussi d'éviter une défaillance de la pompe qui pourrait survenir lorsque le refroidisseur fonctionne avec une quantité d'eau insuffisante dans le réservoir.

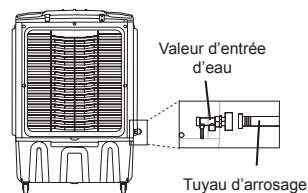
ATTENTION: Débrancher l'appareil de la prise d'alimentation électrique avant de remplir ou de vider le réservoir d'eau.

Raccord d'alimentation continue en eau:

Pour une alimentation continue en eau, raccorder un tuyau d'arrosage à une conduite d'eau principale.

Remarque: Le tuyau d'arrosage n'est pas inclus. Utiliser un tuyau d'arrosage compatible avec le raccordement de l'appareil.

- Localiser le raccord mâle à une extrémité du tuyau d'arrosage. Insérer le raccord du tuyau d'arrosage dans la vanne d'entrée d'eau du refroidisseur. Visser et serrer la vanne de l'entrée d'eau sur la partie filetée du raccord du tuyau d'arrosage; vérifier que le raccord de tuyau est bien fixé afin d'éviter toute fuite. En cas de fuite, le tuyau et la vanne d'entrée d'eau pourraient ne pas être correctement raccordés. Essayer de dévisser, de replacer et de visser à nouveau la vanne d'entrée d'eau.
- Lorsque le raccord est fixé solidement, OUVRIR l'alimentation en eau; l'eau s'écoulera dans le réservoir d'eau du refroidisseur.
- Le refroidisseur est maintenant prêt, l'eau se remplit automatiquement.
- Lorsque le réservoir d'eau est plein, la vanne d'entrée d'eau bloquera automatiquement tout débordement de l'alimentation en eau.
- Régler la vanne d'eau à un débit minimal, car une pression excessive pourrait endommager le système de commande de la pression d'entrée.



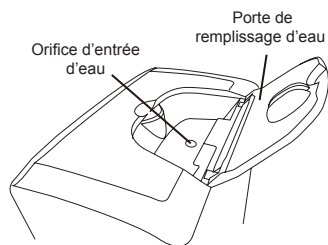
AVERTISSEMENT: La pression maximale d'entrée d'eau est de 0,5 MPa.

UTILISATION ET FONCTIONNEMENT (SUITE)

REPLISSAGE DE L'EAU (SUITE)

Remplissage manuel du réservoir d'eau :

- À l'aide d'un contenant portatif ou d'un tuyau d'arrosage, remplir manuellement le réservoir d'eau en versant l'eau dans le réservoir d'eau à partir d'un orifice d'entrée d'eau situé sur la partie supérieure du refroidisseur d'air.
- Vérifier l'indicateur de niveau d'eau pour déterminer quand le réservoir d'eau est plein. Ne pas remplir l'eau au-delà du repère de niveau maximum (Max.) pour éviter l'accumulation de gouttelettes d'eau sur les grilles d'aération.



AVERTISSEMENT: Vérifier que le niveau d'eau dans le réservoir se situe toujours au-dessus du repère de niveau minimum (Min.) pour le remplissage d'eau de manière continue et manuelle. Une utilisation de l'appareil en mode Refroidissement avec une quantité d'eau insuffisante peut provoquer une défaillance de la pompe.

Remarque: La capacité d'eau désigne le volume total d'eau qui peut être contenu dans le réservoir et le système de distribution d'eau du refroidisseur d'air. La capacité d'eau dans le réservoir au niveau de l'indicateur maximum (Max.) peut-être inférieure à la capacité d'eau réelle du refroidisseur d'air.

AVERTISSEMENT: Ne pas remplir le réservoir d'eau avec de l'eau sale ou de l'eau salée. Cela peut endommager l'appareil et le système de refroidissement en nid d'abeille.

NETTOYAGE DU SYSTÈME DE REFROIDISSEMENT EN NID D'ABEILLE

En mode Rafraîchissement, lorsque le niveau d'eau dans le réservoir descend en-dessous du niveau minimum, la pompe à eau du rafraîchisseur d'air se coupera automatiquement. Ceci permet de protéger la pompe à eau contre tout fonctionnement sans eau dans le réservoir. Lorsque la pompe à eau est éteinte, le rafraîchisseur d'air arrête le rafraîchissement par évaporation.

Pour réactiver la pompe à eau et redémarrer l'appareil en mode Rafraîchissement, Éteindre en premier lieu l'appareil et le débrancher de la prise électrique. Remplir le réservoir d'eau en dépassant la marque de niveau minimal. Brancher et mettre en marche de nouveau.

*Applicable uniquement aux modèles avec coupure de la pompe en cas de faible niveau d'eau.

UTILISATION ET FONCTIONNEMENT (SUITE)

NETTOYAGE ET VIDANGE DU RÉSERVOIR D'EAU

Si le refroidisseur n'est pas utilisé pendant une longue période, voir la section DIRECTIVES D'ENTREPOSAGE ET D'ENTRETIEN (page 5).

AVERTISSEMENT:

Avant de nettoyer l'appareil, mettre l'appareil en mode arrêt (OFF) et débrancher de la prise électrique.

- Déplacer l'appareil jusqu'à un emplacement où l'eau peut être vidangée. Retirer le cache du bouchon de vidange situé au niveau de la partie inférieure de l'appareil. Laisser le réservoir se vider.
- Remplir le réservoir d'eau avec de l'eau propre, jusqu'au niveau maximal, puis vider entièrement le réservoir.
- Utiliser un chiffon humide pour retirer la saleté et la poussière de la surface de l'appareil. Ne jamais utiliser de produits corrosifs ou chimiques pour nettoyer cet appareil.
- Lorsque le produit n'est pas utilisé, le ranger dans un endroit sec, à l'abri de la lumière directe du soleil.

NETTOYAGE DU SYSTÈME DE REFROIDISSEMENT EN NID D'ABEILLE

- L'appareil est fourni avec trois coussinets pour système de refroidissement en nid d'abeille.
- Les coussinets du système de refroidissement en nid d'abeille sont situés à l'intérieur des grilles arrière et latérales. Suivre les étapes 1 à 5 pour retirer les coussinets de l'appareil afin de procéder au nettoyage et à l'entretien.
- Ne pas faire fonctionner l'appareil en mode COOL (refroidissement) lorsque de l'eau stagnante se trouve dans le réservoir. Vider l'eau du réservoir et remplir le réservoir avec de l'eau fraîche et propre, en particulier si le réservoir n'a pas été nettoyé depuis un long moment.
- La fréquence de nettoyage du système de refroidissement en nid d'abeille dépend des conditions locales de l'air et de l'eau. Dans les régions où l'eau est riche en minéraux, des dépôts peuvent s'accumuler dans le système de refroidissement en nid d'abeille et restreindre le débit d'air. La vidange du réservoir d'eau et son remplissage d'eau fraîche et propre au moins une fois par semaine permettent de réduire les dépôts de minéraux. Si les dépôts de minéraux subsistent sur le système de refroidissement en nid d'abeille, retirer et laver le système sous l'eau propre. Nettoyer le système tous les deux mois ou plus souvent, selon le besoin.
- Pour des résultats optimaux, laisser sécher le système de refroidissement en nid d'abeille après chaque utilisation en éteignant la fonction COOL (refroidissement) pendant 15 minutes avant l'arrêt de l'appareil.

UTILISATION ET FONCTIONNEMENT (SUITE)

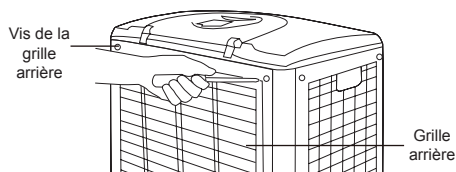
NETTOYAGE DU SYSTÈME DE REFRIGÉRISSMENT EN NID D'ABEILLE (SUITE)

Pour retirer le système de refroidissement en nid d'abeille :

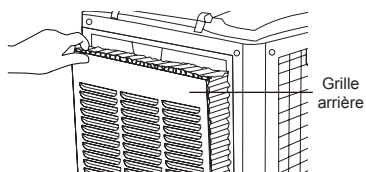
1. Retirer les vis de la grille arrière du refroidisseur d'air.
2. Retirer soigneusement la grille arrière du refroidisseur d'air.
3. Le coussinet de refroidissement en nid d'abeille est fixé sur la grille arrière par deux barres horizontales qui sont fixées en place par deux vis qui situées sur les côtés gauche et droit de ces barres. Retirer les vis afin de libérer les barres horizontales.
4. Retirer le coussinet de refroidissement en nid d'abeille en le faisant coulisser hors de la grille arrière. Remplacer avec le nouveau coussinet de refroidissement en nid d'abeille en le faisant coulisser dans les rainures de la grille arrière jusqu'à ce qu'il soit mis en place correctement et solidement sur la grille. Replacer les barres horizontales sur la grille arrière en remettant les vis sur les côtés gauche et droit, et en les serrant en place. Les vis permettent de sécuriser le coussinet de refroidissement en nid d'abeille sur la grille arrière.
5. Répéter les étapes 1 à 4 pour retirer le coussinet de refroidissement en nid d'abeille sur les grilles latérales gauche et droite.

AVERTISSEMENT: NE PAS utiliser le refroidisseur d'air lorsque la grille arrière ou latérale est retirée du refroidisseur d'air ou si la grille arrière ou latérale ne tient pas en place correctement à cause d'un ajustement ample. Cela peut causer de graves blessures ou de dangereuses décharges électriques.

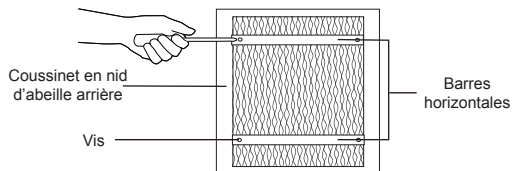
Étape 1:



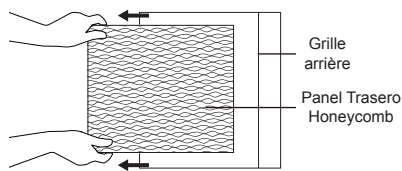
Étape 2:



Étape 3:



Étape 4:



GUÍA DE MANTENIMIENTO Y SEGURIDAD

GRACIAS

Felicitaciones por la compra de este versátil Enfriador de Aire por Evaporación Mason & Deck™. La Guía de Mantenimiento y Seguridad, y el Manual del Usuario independiente tienen como objetivo brindarle la información necesaria para establecer, operar, mantener y solucionar los problemas de este producto.

NORMAS DE SEGURIDAD

ADVERTENCIA-LEA Y GUARDE LA GUÍA Y EL MANUAL DEL USUARIO DEL ENFRIADOR DE AIRE

La Guía y el Manual del Usuario del Enfriador de Aire tienen como objetivo brindarle la información necesaria para establecer, operar, mantener y solucionar los problemas de su Enfriador de Aire. Si no se siguen estas instrucciones, se puede dañar y/o perjudicar su funcionamiento, crear una situación peligrosa, e invalidar la garantía. En caso de existir alguna discrepancia o conflicto, en el contenido de este material, entre la versión en inglés y la versión en cualquier otro idioma prevalecerá la versión en inglés.

LEA Y GUARDE ESTAS INSTRUCCIONES:

Al utilizar aparatos eléctricos, se deben seguir siempre las precauciones básicas de seguridad:

- Este aparato puede ser utilizado por niños a partir de los 8 años y por personas con capacidades físicas, sensoriales o mentales reducidas, o falta de experiencia y conocimiento, si se les ha dado la supervisión o instrucciones relativas al uso del aparato de una manera segura y comprenden los peligros involucrados. Los niños no deben jugar con el aparato. La limpieza y mantenimiento del equipo no debe ser efectuado por los niños sin supervisión.
- NO UTILICE un cable o enchufe dañado. Si el cordón de alimentación es dañado, este debe sustituirse por el fabricante, por su agente de servicio autorizado o por personal calificado con el fin de evitar un peligro.
- Antes de utilizar el producto, remueva el embalaje y compruebe que el producto se encuentra en buenas condiciones.
- NO permita que los niños jueguen con el aparato, el embalaje o las bolsas plásticas.
- Compruebe el voltaje doméstico para garantizar que coincida con las especificaciones del aparato.
- NO utilice un cable de extensión con esta unidad.
- NO pasee el cable de alimentación debajo de alfombras, ni lo cubra con tapetes o alfombras de pasillo. Mantenga el cable lejos de las áreas en las que se pueda tropezar con él.
- Cuando ponga en funcionamiento el Enfriador de Aire en modo enfriamiento por evaporación, verifique siempre que la cantidad de agua en el tanque esté por encima de la marca de nivel "min.".

GUÍA DE MANTENIMIENTO Y SEGURIDAD (CONTINUACIÓN)

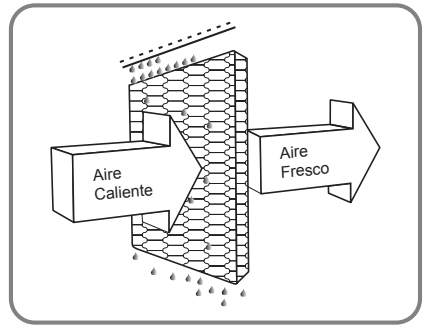
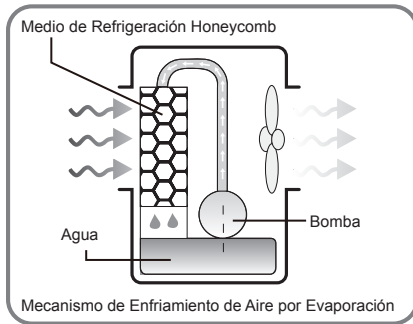
NORMAS DE SEGURIDAD (CONTINUACIÓN)

- Desenchufe el Enfriador de Aire siempre antes de llenar el tanque de agua, limpiar la unidad, realizar tareas de mantenimiento o reubicar la unidad.
- Nunca tire del cable. Retírelo del tomacorriente/enchufe tomándolo y sacándolo desde el extremo del enchufe del cable.
- Este producto ha sido fabricado para uso doméstico y no debe usarse para otros propósitos.
- NO lo utilice en áreas donde se almacena gasolina, pintura u otros productos inflamables.
- NO haga funcionar la unidad en el modo COOL con el tanque vacío, dado que podría causar daños en la bomba de agua.
- NO intente reparar o ajustar toda función eléctrica o mecánica del Enfriador de Aire, dado que esto podría invalidar la garantía.
- NO cubra la entrada o salida del enfriador, dado que esto podría dañar el motor.
- NO inserte objetos o permita el ingreso de los mismos por alguna apertura de ventilación o escape, ya que esto podría dañar la unidad y ocasionar una descarga eléctrica o un incendio.
- NO ponga en funcionamiento la unidad sin el medio de refrigeración Honeycomb, dado que esto podría sobrecargar y dañar el motor.
- NO deje el aparato en funcionamiento sin vigilancia durante un período prolongado de tiempo.
- NO continúe operando la unidad si está dañada o si funciona mal. Consulte la sección *Solución de problemas*. Si el problema persiste, póngase en contacto con el Centro de atención al cliente.
- NO utilice en baños o cerca del agua. NO coloque la unidad cerca de un contenedor de agua.
- Cuando no se utilice, guárdelo en un ambiente seco.
- Ubique siempre la unidad en una superficie seca y nivelada.
- Utilice siempre las manijas laterales para mover el Enfriador de Aire.
- **ADVERTENCIA:** Para reducir riesgos de incendio o descargas eléctricas, no utilice este aparato con ningún dispositivo de control de velocidad de estado sólido.

CONSEJOS DE UTILIZACIÓN

¿Qué es la Enfriamiento por Evaporación?

Los Enfriadores de Aire por Evaporación Mason & Deck™ maximizan la eficiencia energética y mantienen bajos los costos de energía. El aire caliente es conducido hacia el enfriador y luego ingresa en el medio de enfriamiento Honeycomb. El agua bombeada desde el tanque moja el medio de enfriamiento Honeycomb. A medida que el aire caliente pasa a través del medio de enfriamiento Honeycomb, el agua absorbe el calor, enfriando y humidificando el aire de forma natural. Un ventilador impulsa el aire frío hacia la habitación. Este sistema de refrigeración sin compresión enfría de forma natural, de manera eficiente y económica.



El nivel máximo de humedad relativa recomendado es 60% o menos, lo que permite un descenso de temperatura notable. La temperatura será inferior en ambientes más secos ya que hay mayor evaporación cuando el nivel de humedad es bajo.

ATENCIÓN

Cuando se utilice el producto por primera vez, el Medio de Refrigeración Honeycomb emitirá un olor que se disipará unas horas después de su uso inicial.

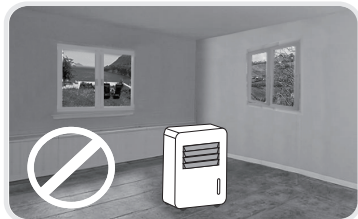
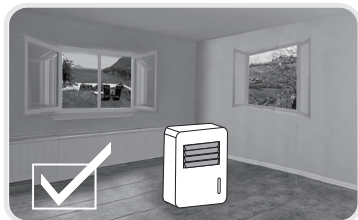
GUÍA DE MANTENIMIENTO Y SEGURIDAD (CONTINUACIÓN)

UBICACIÓN DEL ENFRIADOR

Para una máxima eficiencia, coloque el Enfriador de Aire acorde con las siguientes indicaciones:

Interiores

Ubique el enfriador en frente de una puerta o ventana abierta. Asegure la ventilación adecuada en el cuarto dejando una puerta o ventana abierta opuesta al enfriador. El Enfriador de Aire por Evaporación no debe utilizarse en espacios cerrados. Debe mantenerse nivelado y debe haber agua en el tanque de agua. Las puertas y ventanas deben permanecer abiertas para permitir un flujo de aire libre. El Enfriador de Aire por Evaporación funciona mejor cuando se ubica cerca de una ventana abierta, de manera tal que el aire de afuera ingrese al enfriador, circule por el cuarto y luego salga por la puerta. El efecto de enfriamiento máximo se siente cuando una persona esta cerca del flujo de aire que sale del Enfriador de Aire por Evaporación. El Enfriador de Aire por Evaporación produce humedad y puede utilizarse para humedecer el aire seco. Si desea utilizarse para humidificar, las puertas y ventanas deberán estar cerradas.



IMPORTANTE: EL ENFRIADOR DE AIRE POR EVAPORACIÓN NO ES UN AIRE ACONDICIONADO, YA QUE NO UTILIZA UN COMPRESOR O GAS REFRIGERANTE. NO ESPERE QUE LA UNIDAD ENFRIÉ TANTO COMO UN AIRE ACONDICIONADO.

Exteriores (únicamente para modelos de exteriores)

- Utilice únicamente en tomacorrientes y enchufes protegidos por un DDR (sólo para EE.UU.). Presione el botón TEST y luego el botón RESET una vez al mes para asegurar una operación apropiada.
- Los cables de alimentación deben asegurarse para evitar tropiezos.
- El cableado y las conexiones se deben proteger del agua. El enchufe y las conexiones del Enfriador de Aire deben estar secas todo el tiempo. Cuando se usa al aire libre, inserte el enchufe eléctrico del Enfriador a una toma eléctrica exterior que cumpla con el grado de protección IP44.
- Coloque la unidad en una superficie plana y sólida.

IMPORTANTE: Los modelos de Enfriadores de Aire Mason & Deck™ para exteriores son diseñados conforme a los estándares de productos IPX4, y se recomienda no colocarlos en el exterior durante una fuerte lluvia o cuando nevada.

GUÍA DE MANTENIMIENTO Y SEGURIDAD (CONTINUACIÓN)

INSTRUCCIONES DE ALMACENAMIENTO Y MANTENIMIENTO

Lea las instrucciones detalladas LIMPIEZA Y VACIADO DEL TANQUE DE AGUA para su Enfriador de Aire, ubicadas en el Manual del Usuario separado. Debajo encontrará una guía general para el mantenimiento y almacenamiento de su Enfriador de Aire.

ADVERTENCIA: Siempre, antes de limpiar o realizar el mantenimiento de su Enfriador de Aire, apague y desenchúfelo de la fuente eléctrica.

Limpieza

Drene la totalidad del agua del tanque al menos una vez a la semana y vuelva a llenarlo con agua fresca. Si hace esto, reducirá en gran medida los depósitos minerales y ayudará a extender la vida útil del medio de enfriamiento Honeycomb.

Almacenamiento de fin de temporada

Si el Enfriador de Aire no se utilizará por un largo período de tiempo:

- Asegúrese de que las partes estén secas poniendo en funcionamiento el modo sólo Ventilador por alrededor de 1 a 2 horas antes de guardarlo (el tiempo depende de las condiciones de humedad del ambiente).
- Apague el Enfriador de Aire y desenchúfelo del suministro de energía.
- Vacíe/ drene toda el agua del tanque. Atención: si la unidad está conectada a un suministro de agua continuo, deberá apagar el suministro de agua y quitar el tubo de drenaje antes de drenar el tanque de agua.
- Limpie el tanque de agua con un trapo húmedo para remover todo el polvo o los depósitos minerales.
- Retire el medio de refrigeración Honeycomb y el Filtro para Polvo de Carbón* del Enfriador de Aire y enjuáguelos con agua fría para eliminar el polvo y la suciedad.
- Vuelva a instalar el medio de refrigeración Honeycomb y el filtro de polvo de carbón* una vez que estén limpios y secos.
- Para proteger la unidad del polvo, la humedad y los arañazos, cúbralo con un paño limpio, una lona o una bolsa de plástico antes de guardarlo.
- Enrolle el cable de alimentación y guárdelo lejos del piso para protegerlo.
- Guarde esta unidad a temperatura ambiente en un lugar seco, lejos de la luz solar directa y / o ambientes muy calurosos, fríos o húmedos.

* El filtro de polvo de carbón está disponible únicamente en modelos específicos de Enfriadores de Aire Mason & Deck™. Compruebe el apartado Descripción de partes del manual del usuario para ver si se incluye el filtro de polvo de carbón.

GUÍA DE MANTENIMIENTO Y SEGURIDAD (CONTINUACIÓN)

GUÍA PARA LA RESOLUCIÓN DE PROBLEMAS

Servicio de atención a clientes: consulte la última página del manual.

PROBLEMA	POSIBLE CAUSA	SOLUCION
No expulsa aire.	Cable desenchufado.	Asegúrese de que el cable esté enchufado y la unidad encendida.
	Unidad apagada.	Encienda la unidad presionando el botón de encendido en el panel de control o el control remoto, o aumente la velocidad con el botón SPEED.
No enfría.	La bomba no está encendida.	Para iniciar el enfriamiento evaporativo, active la función COOL desde el mando a distancia o el panel de control.
	El aire es demasiado húmedo.	El enfriamiento evaporativo genera humedad y tiene un mayor efecto en entornos con una humedad igual o inferior al 60%.
	Condiciones de la habitación.	Los factores ambientales pueden afectar el enfriamiento (p. ej., una incidencia excesiva de la luz del sol en la habitación, demasiadas personas en la habitación, demasiada humedad).
	No hay una buena corriente de aire.	Las ventanas y/o la puerta deben permanecer abiertas para permitir una corriente de aire adecuada.
La unidad está haciendo ruido.	La unidad hace demasiado ruido.	Es normal que se produzca ruido debido a los fuertes flujos de aire generados por las aspas de gran tamaño y/o el potente soplador del enfriador de aire. Reduzca la velocidad del ventilador para reducir los niveles de ruido si fuera necesario.
Exceso de humedad cuando se usa en interiores.	En modo de enfriamiento, el enfriador de aire produce humedad como resultado del sistema evaporativo. Esto es normal.	El enfriador de aire funciona mejor en climas secos. Si el nivel de humedad en el ambiente es alto (aprox. 60% o más), absténgase de usar el enfriador de aire hasta que baje la humedad del ambiente.
		Asegúrese de que la ventana/ puerta están abiertas y hay una corriente adecuada en la habitación, de tal manera que el aire húmedo pueda circular mejor. NO use la función de enfriamiento evaporativo en días con alta humedad en el ambiente.

GUÍA DE MANTENIMIENTO Y SEGURIDAD (CONTINUACIÓN)

GUÍA PARA LA RESOLUCIÓN DE PROBLEMAS (CONTINUACIÓN)

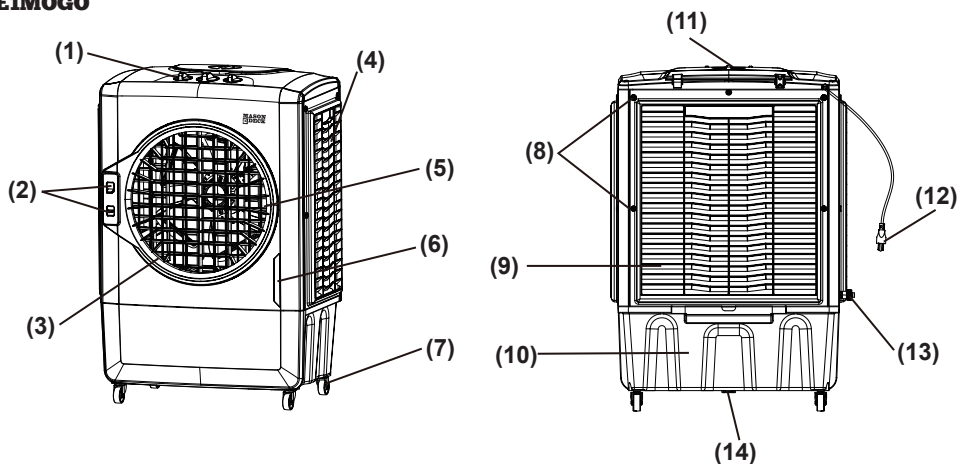
PROBLEMA	POSIBLE CAUSA	SOLUCION
Olores.	Cuando la unidad es nueva.	Cuando la unidad se usa por primera vez, el medio de enfriamiento Honeycomb tendrá un olor que se disipará unas pocas horas después de su uso inicial.
	En condiciones muy húmedas se pueden formar algas o moho.	Revise el medio de enfriamiento Honeycomb. Si observa moho o esporas en el filtro o sospecha un problema de algas, retire y reemplace el medio de enfriamiento Honeycomb. Contacte al centro de servicio al cliente para mayor información.
La unidad no responde.	Panel de control o unidad dañados.	Contacte con el centro de servicio al cliente.
El enfriador de aire se ha mojado debido a la lluvia.	El enfriador de aire se colocó en un lugar al aire libre (esto es solo para modelos de enfriador de aire para exteriores) y se ha mojado debido a una fuerte lluvia.	Una pequeña cantidad de lluvia en la unidad no es un problema mientras el enchufe eléctrico y el tomacorriente estén secos. Si están ambos mojados, NO TOQUE la unidad ni el enchufe/tomacorriente. Apague la corriente principal antes de desconectar la unidad del tomacorriente. Asegúrese de que todos los tomacorrientes y enchufes estén secos antes de usarlos.
		El enfriador de aire está diseñado con el grado de protección IPX4 y no es recomendado usarlo en lugares abiertos durante condiciones de lluvias fuertes. No operar el enfriador de aire cuando esté mojado. Espere hasta que el enfriador de aire se seque antes de conectar y poner a funcionar nuevamente.

USO Y FUNCIONAMIENTO

ADVERTENCIA -- LEA Y GUARDE LA GUIA DE MANTENIMIENTO Y EL MANUAL DE INSTRUCCIONES ANTES DE USAR ESTE PRODUCTO. EL INCUMPLIMIENTO DE ESTAS INSTRUCCIONES PUEDE DAÑAR Y/O PERJUDICAR SU FUNCIONAMIENTO E INVALIDAR LA GARANTÍA. EN CASO DE EXISTIR ALGUNA DISCREPANCIA O CONFLICTO, EN EL CONTENIDO DE ESTE MATERIAL, ENTRE LA VERSIÓN EN INGLÉS Y LA VERSIÓN EN CUALQUIER OTRO IDIOMA PREVALECE LA VERSIÓN EN INGLÉS.

DESCRIPCIÓN DE PARTES

ME1MOGO

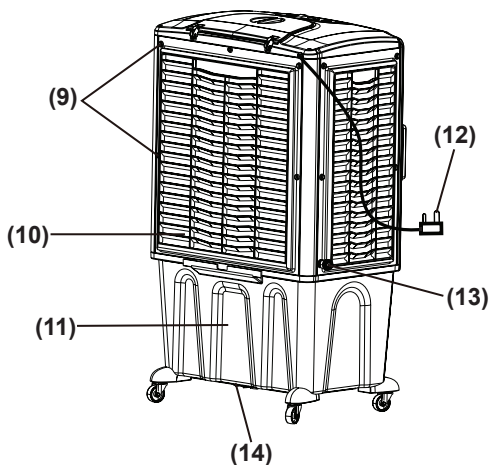
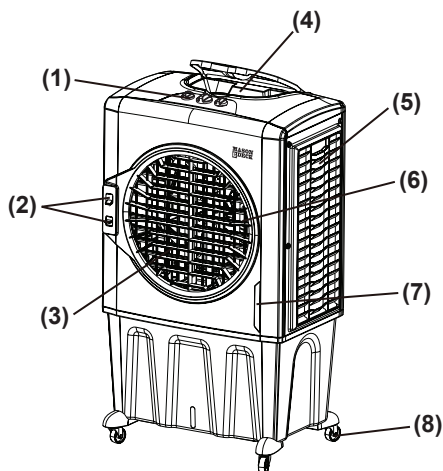


- | | |
|--|---|
| 1) Panel de Control | 8) Tornillos de la rejilla trasera |
| 2) Palanca para persianas horizontales | 9) Rejilla trasera y filtro de enfriamiento Honeycomb |
| 3) Deflectores | 10) Rejilla trasera y filtro de enfriamiento Honeycomb |
| 4) Rejilla lado izquierdo y filtro de enfriamiento Honeycomb | 11) Puerta de llenado de agua y compartimento para hielo |
| 5) Salida de aire delantera | 12) Cable de alimentación y enchufe |
| 6) Indicador de nivel de agua | 13) Válvula de entrada de agua para suministro de agua continuo |
| 7) Ruedas | 14) Tapón del drenaje |

USO Y FUNCIONAMIENTO (CONTINUACIÓN)

DESCRIPCIÓN DE PARTES

ME2MOGO



1) Panel de Control

2) Palanca para persianas horizontales

3) Deflectores

4) Puerta de llenado de agua y compartimento para hielo

5) Rejilla lado izquierdo y filtro de enfriamiento Honeycomb

6) Salida de aire delantera

7) Indicador de nivel de agua

8) Ruedas

9) Tornillos de la rejilla trasera

10) Rejilla trasera y filtro de enfriamiento Honeycomb

11) Tanque de agua

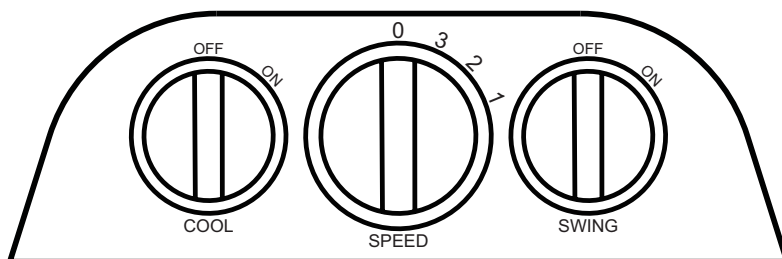
12) Cable de alimentación y enchufe

13) Válvula de entrada de agua para suministro de agua continuo

14) Tapón del drenaje

USO Y FUNCIONAMIENTO (CONTINUACIÓN)

PANEL DE CONTROL



BOTONES DE FUNCIONES

SPEED (VELOCIDAD) / ON - OFF (ENCENDIDO - APAGADO)

Conecte a la fuente de alimentación y gire el mando SPEED (velocidad). El ventilador comenzará a funcionar. Cambie la velocidad de 3 a 1 (1 para Velocidad del ventilador Baja, 2 para Media y 3 para Alta). Para apagar la unidad, gire la perilla de velocidad a 0.

COOL (FRÍO)

Gire el mando COOL a la posición ON para activar la refrigeración por evaporación. La bomba de agua funcionará y usted sentirá el aire más fresco después de que el filtro de enfriamiento Honeycomb esté completamente mojado.

SWING (OSCILACIÓN)

Gire el mando SWING a la posición ON para activar el movimiento de las persianas. Las rejillas comenzarán a moverse de izquierda a derecha de forma automática. Flujo de aire vertical - Puede ajustar manualmente la palanca ubicada en la parte frontal de la unidad para cambiar el flujo de aire vertical.

UBICACIÓN DEL ENFRIADOR

Asegúrese de colocar el enfriador de aire correctamente antes de configurar y empezar a usar el producto. Por favor, consulte sobre la ubicación del enfriador en el apartado GUÍA DE MANTENIMIENTO Y SEGURIDAD (página 4).

USO Y FUNCIONAMIENTO (CONTINUACIÓN)

LLENADO CON AGUA

Es ideal usar la conexión de suministro de agua continuo para operar la unidad por largos periodos de tiempo sin tener que llenarla de agua. Esto también ayuda a prevenir el fallo de la bomba en caso de que el enfriador de aire esté funcionando con agua insuficiente en el tanque.

PRECAUCIÓN: Desenchufe la unidad de la toma de corriente eléctrica antes de vaciar o llenar el depósito de agua.

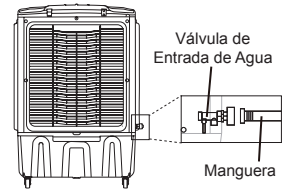
Conexión del suministro de agua continuo:

Para obtener un suministro continuo de agua, necesitará una manguera conectada a un suministro de agua de la red.

Nota: La manguera de jardín no está incluida. Por favor utilice una manguera de jardín que sea compatible con la conexión de la unidad.

- Ubique el conector macho en un extremo de la manguera. Inserte el conector de la manguera a la válvula de entrada de agua del enfriador. Enrosque y ajuste la válvula de entrada de agua en la parte roscada del conector de la manguera, asegurándose de que el conector de la manguera esté bien asegurado para que no haya pérdidas. Si hay una pérdida, es posible que la manguera y la válvula de entrada de agua no estén conectadas correctamente. Pruebe a desconectar, volver a poner y apretar la válvula de entrada de agua nuevamente.
- Cuando se asegure la conexión, encienda el suministro de agua y el agua fluirá hacia el tanque del enfriador.
- Ahora, el enfriador está configurado para que el tanque se llene de agua de forma automática cuando esté vacío, o cuando el agua esté por debajo del nivel mínimo.
- Cuando el tanque está lleno de agua, la válvula de entrada de agua detendrá el suministro de agua automáticamente.
- Por favor abra la válvula de agua para un flujo mínimo ya que demasiada presión podría dañar el sistema de control de presión de entrada.

ADVERTENCIA: La presión máxima de entrada de agua es de 0,5 MPa.

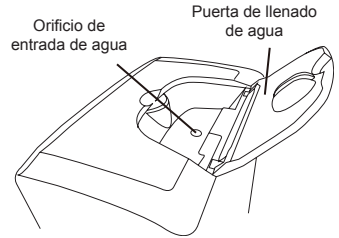


USO Y FUNCIONAMIENTO (CONTINUACIÓN)

LLENADO CON AGUA (CONTINUACIÓN)

Llenado manual del tanque de agua:

- Para llenar el tanque de agua manualmente, utilice un recipiente portátil o una manguera y vierta el agua por el orificio ubicado en la parte superior del enfriador de aire.
- Compruebe el indicador de nivel de agua para saber cuándo el tanque de agua esté lleno. No añada agua por encima de la marca de "Max" del indicador de nivel de agua para evitar que se acumulen gotas en las lamas.



ADVERTENCIA: Asegúrese siempre de que el agua del depósito está por encima de la marca de nivel de agua mínimo (Min.), tanto para el llenado de agua manual o continua. La ejecución de la unidad en modo COOL sin suficiente agua puede causar fallos en la bomba.

Nota: La capacidad de agua se refiere al volumen total de agua que puede ser contenida dentro del depósito de agua del enfriador de aire y el sistema de distribución de agua. La capacidad del depósito de agua en el nivel "Max" puede que sea inferior a la capacidad real del enfriador de aire.

ADVERTENCIA: No llene el depósito con agua sucia o salada. Esto puede dañar la unidad y el panel Honeycomb.

USO Y FUNCIONAMIENTO (CONTINUACIÓN)

LIMPIEZA Y VACIADO DEL TANQUE DE AGUA

Si el Enfriador no se usara por un largo período de tiempo, por favor, consulte la GUÍA DE MANTENIMIENTO Y SEGURIDAD (página 5).

ADVERTENCIA:

Antes de limpiar la unidad, apague la unidad y desconecte de la toma de corriente.

- Mueva la unidad a un lugar donde el agua pueda ser drenada. Retire el tapón de drenaje situado en la parte inferior de la unidad. Permita que el tanque se vacíe.
- Vuelva a llenar el tanque de agua con agua limpia hasta el nivel máximo y drene completamente.
- Use un paño húmedo para eliminar la suciedad y el polvo de la superficie de la unidad. Nunca utilice elementos corrosivos o productos químicos para limpiar este producto.
- Cuando el producto no está en uso, almacene la unidad en un lugar seco fuera de la luz solar directa.

LIMPIEZA DEL FILTRO DE ENFRIAMIENTO HONEYCOMB

- El aparato se suministra con tres paneles de enfriamiento Honeycomb.
- Los paneles de enfriamiento Honeycomb se encuentran dentro de las rejillas traseras y laterales. Siga las instrucciones mencionadas en los pasos 1 al 5 para sacarlos de la unidad para su limpieza y mantenimiento.
- No haga funcionar la unidad en modo FRIO con agua estancada en el tanque. Debe vaciar el depósito de agua y volver a llenarlo con agua, sobre todo si el tanque no se ha limpiado en mucho tiempo.
- La frecuencia de limpieza de los paneles de enfriamiento Honeycomb depende de las condiciones del aire y del agua local. En las zonas donde el contenido mineral del agua es alto, los depósitos minerales pueden acumularse en los paneles de enfriamiento Honeycomb y restringir el flujo de aire. Vaciar y volver a llenar el depósito con agua fresca por lo menos una vez por semana le ayudará a reducir los depósitos de minerales. Si los depósitos minerales permanecen en los paneles de enfriamiento Honeycomb, deberán ser retirados y lavados con agua fresca. Los paneles deben limpiarse cada dos meses, o antes, dependiendo de sus necesidades.
- Para obtener los mejores resultados y cuidar los paneles de enfriamiento Honeycomb deje secar después de cada uso desactivando la función de frío 15 minutos antes de apagar la unidad.

USO Y FUNCIONAMIENTO (CONTINUACIÓN)

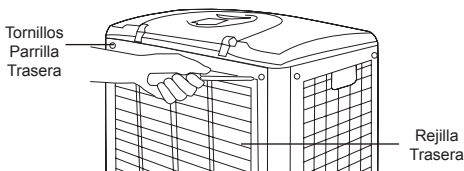
LIMPIEZA DEL FILTRO DE ENFRIAMIENTO HONEYCOMB (CONTINUACIÓN)

Retirar el filtro de enfriamiento Honeycomb:

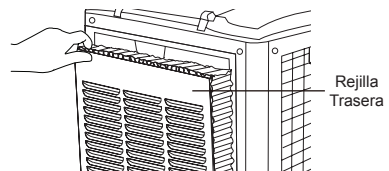
1. Quite los tornillos de la Parrilla del Panel Trasero del Enfriador de Aire.
2. Saque cuidadosamente la Parrilla del Panel Trasero del Enfriador de Aire.
3. El panel de enfriamiento Honeycomb está asegurado en la parrilla del panel trasero por dos barras horizontales, las cuales están fijadas con dos tornillos a cada lado de las mismas. Retire estos tornillos para soltar las barras horizontales.
4. Saque el panel de enfriamiento Honeycomb deslizándolo hacia fuera de la parrilla del panel trasero. Coloque el nuevo Panel de Enfriamiento Honeycomb deslizándolo en las ranuras de la Parrilla del Panel Trasero hasta que esté bien ubicado y de forma segura en la parrilla. Vuelva a colocar las barras horizontales en la Parrilla del Panel Trasero, reemplazando los tornillos de ambos lados y fijándolos en su lugar. Esto asegura el Panel de Enfriamiento Honeycomb en su lugar en la Parrilla del Panel Trasero.
5. Repita los pasos 1 a 4 para retirar el Panel de Enfriamiento Honeycomb de las Parrillas de Paneles Laterales de ambos lados.

ADVERTENCIA: NO ponga en funcionamiento el Enfriador de Aire cuando se retiren una o todas las parrillas traseras o laterales del enfriador de aire, o si alguna de ellas no está bien sujeta. Si lo hace, puede causar lesiones graves o una descarga eléctrica peligrosa.

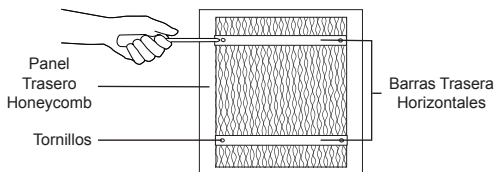
Paso 1:



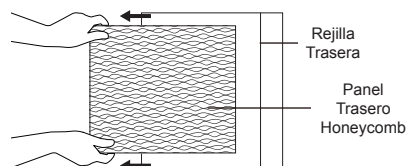
Paso 2:



Paso 3:



Paso 4:

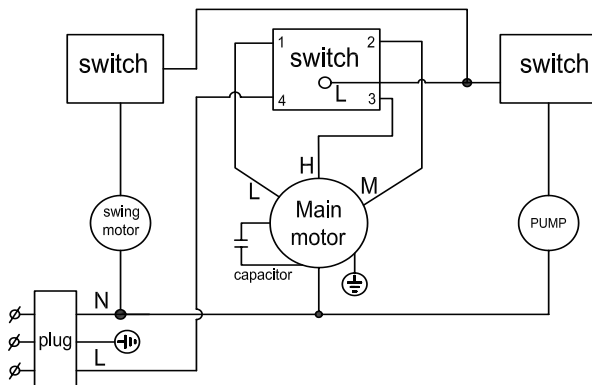


TECHNICAL SPECIFICATIONS / CARACTERISTIQUES TECHNIQUES / ESPECIFICACIONES TÉCNICAS

Model / Modèle / Modelo	ME1MOGO	ME2MOGO
Voltage / Tension / Voltaje	110 - 120 V	
Frequency / Fréquence / Frecuencia	60 Hz	
Ampere / Ampère / Amperaje	1.83 A	
Wattage / Puissance / Watts	220 W	
Water Capacity / Capacité d'eau / Capacidad Del Tanque De Agua	14 Gallon	19 Gallon
Cooling Media / Système de refroidissement / Filtro De Enfriamiento	Honeycomb	
Product Dimension / Dimensions de l'appareil / Dimensiones Del Producto (W) x (D x (H)	28 x 18 x 40 in	28 x 18 x 46 in
Net Weight / Poids net / Peso Neto	39.7 lbs / 18 kg	44.1 lbs / 20 kg

ELECTRICAL WIRING DIAGRAM / DIAGRAMME DU CIRCUIT ÉLECTRIQUE / DIAGRAMA DE CIRCUITO ELÉCTRICO

Version/ Versión: 110V - 120V , 60Hz





www.masonanddeck.com

**CUSTOMER SUPPORT CENTER/
ASSISTANCE AU CLIENT/
SERVICIO DE ATENCIÓN A CLIENTES:**

JMATEK North America LLC
Mahwah, New Jersey 07495 USA
Web: www.jmatek.com
USA: 1-800-474-2147 | usinfo@jmatek.com
CANADA: 1-888-209-0999 | canadainfo@jmatek.com

© 2019 JMATEK Limited. All rights reserved.